



US00D350765S

United States Patent [19]

[11] Patent Number: **Des. 350,765**

Hiroki et al.

[45] Date of Patent: **** Sep. 20, 1994**

[54] **ELECTRONIC COPYING MACHINE**

FOREIGN PATENT DOCUMENTS

[75] Inventors: **Shin-ichi Hiroki**, Tokyo; **Kimiko Kageyama**, Koganei, both of Japan

8800378 12/1988 Fed. Rep. of Germany .

[73] Assignee: **Kabushiki Kaisha Toshiba**, Kawasaki, Japan

Primary Examiner—Alan P. Douglas
Assistant Examiner—Caron D. Veynar
Attorney, Agent, or Firm—Oblon, Spivak, McClelland, Maier & Neustadt

[**] Term: **14 Years**

[57] CLAIM

[21] Appl. No.: **894,236**

The ornamental design for an electronic copying machine, as shown and described.

[22] Filed: **Jun. 9, 1992**

DESCRIPTION

[30] Foreign Application Priority Data

Dec. 9, 1991 [JP] Japan 3-36892

[52] U.S. Cl. **D18/36; D18/39**

[58] Field of Search 355/200, 210, 233, 234;
D18/13, 36-40; D14/107, 111, 114

FIG. 1 is a front, top and right side perspective of an electronic copying machine showing our new design, with the paper feeding cassettes, document guides and paper tray withdrawn;
FIG. 2 is a front elevational view thereof;
FIG. 3 is a top plan view thereof;
FIG. 4 is a left side elevational view thereof;
FIG. 5 is a right side elevational view thereof;
FIG. 6 is a rear elevational view thereof; and,
FIG. 7 is a bottom plan view.
FIGS. 2-7 show the paper feeding cassettes, document guides and paper tray in a closed position.

[56] References Cited

U.S. PATENT DOCUMENTS

- D. 315,574 3/1991 Komada et al. D18/37
- D. 330,213 10/1992 Hiroki et al. D18/36
- D. 336,104 6/1993 Hiroki et al. D18/39
- D. 338,486 8/1993 Hiroki et al. D18/36

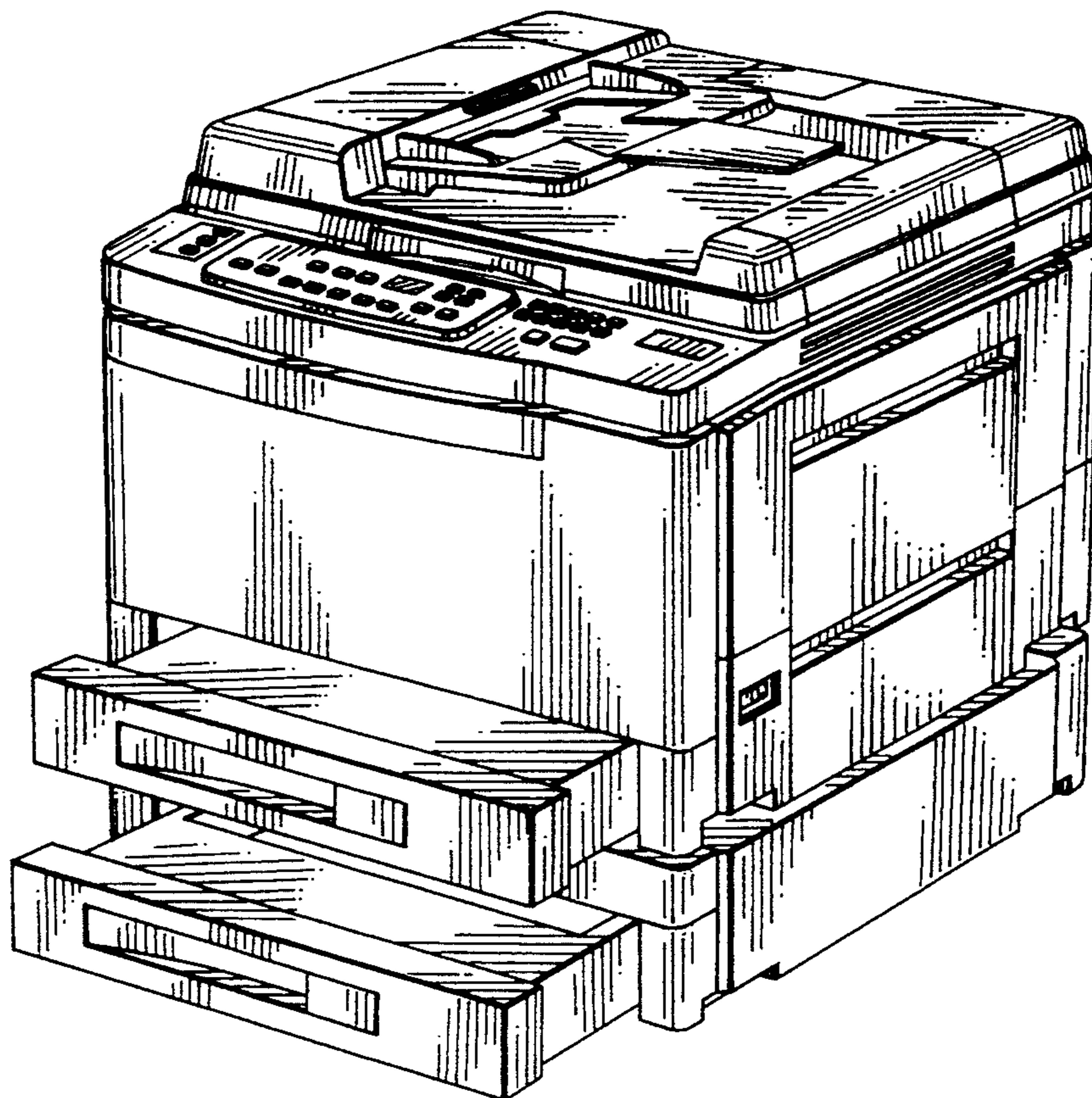


FIG. 1

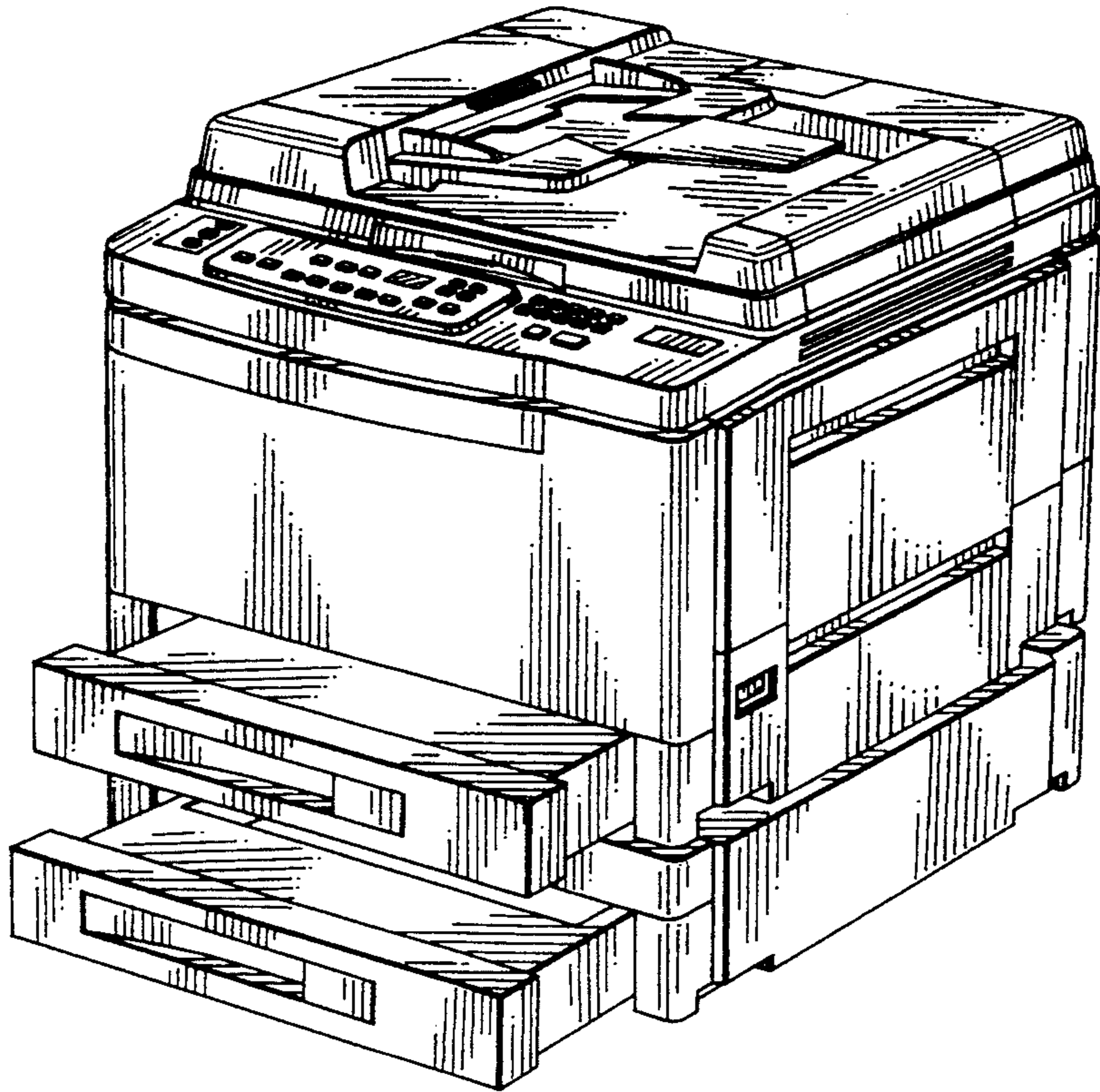


FIG. 2

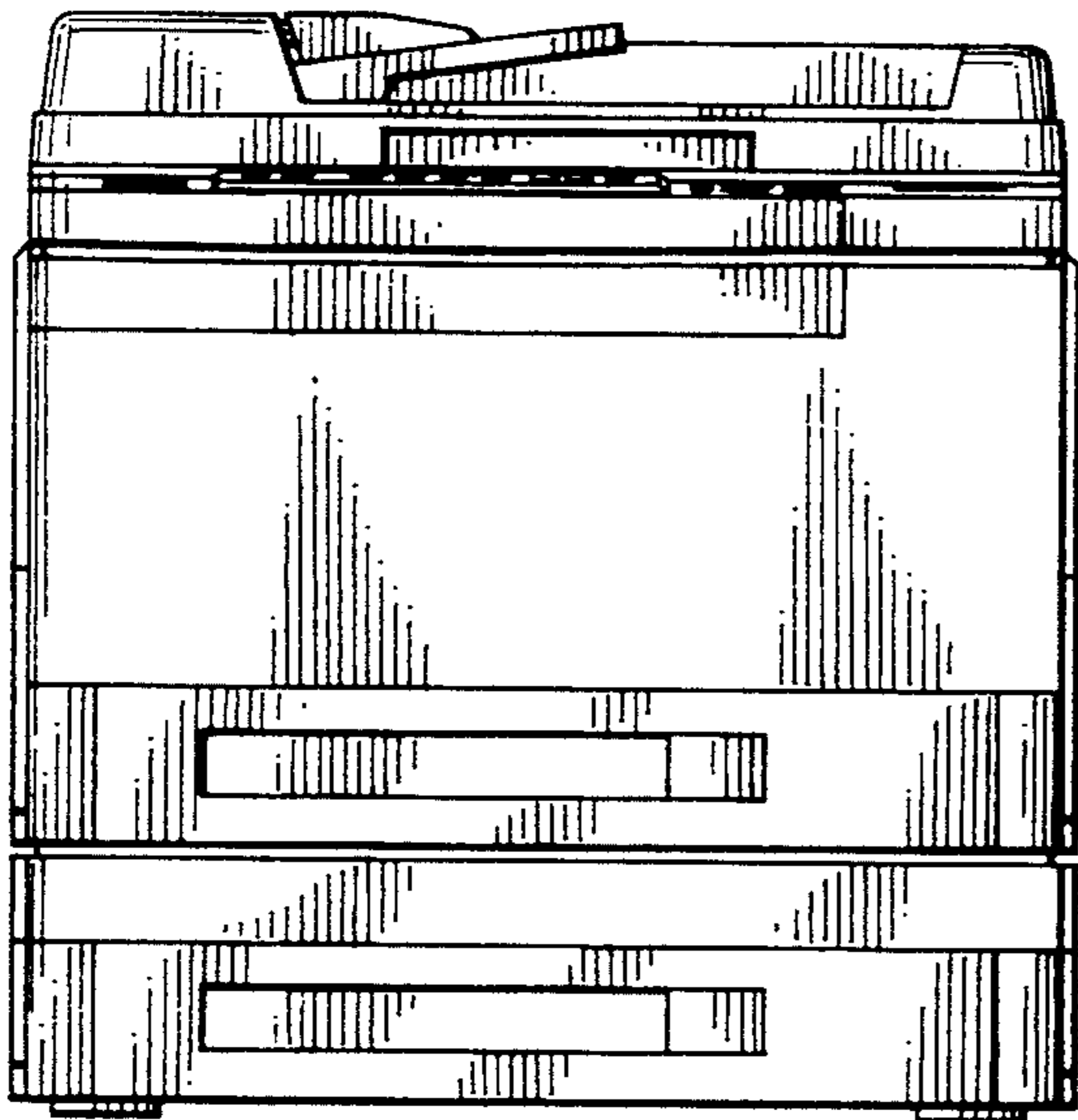


FIG. 3

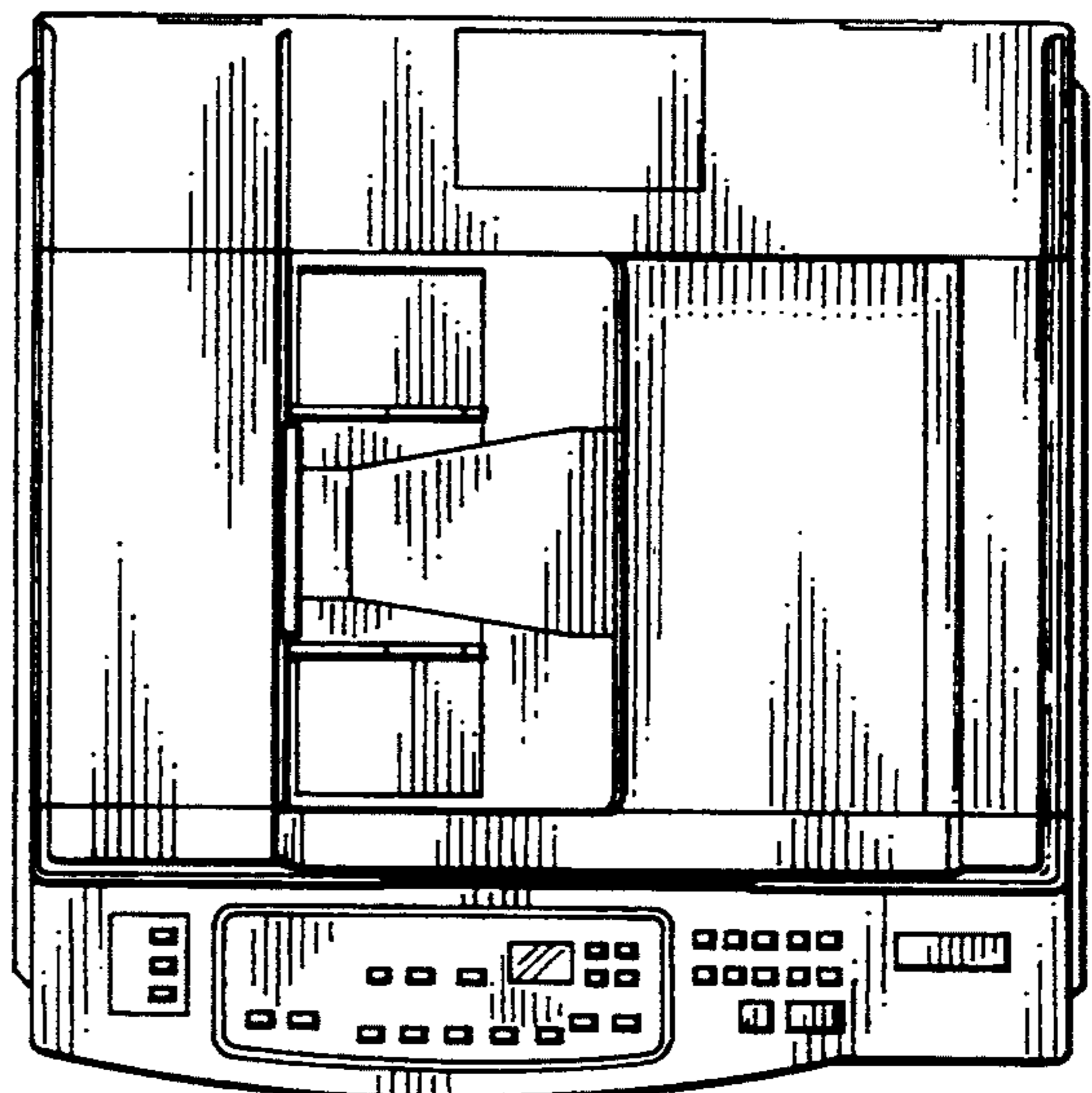


FIG. 4

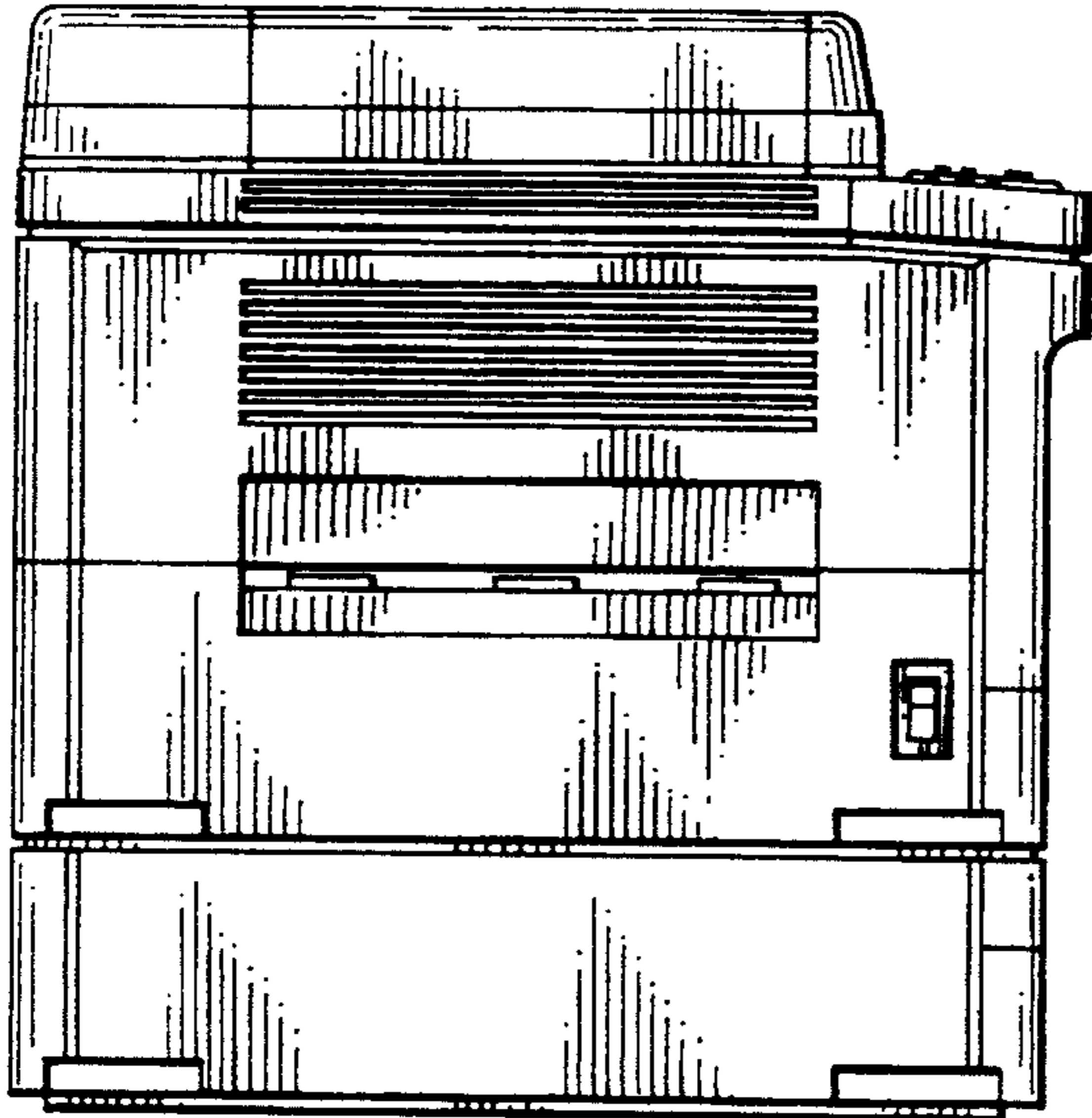


FIG. 5

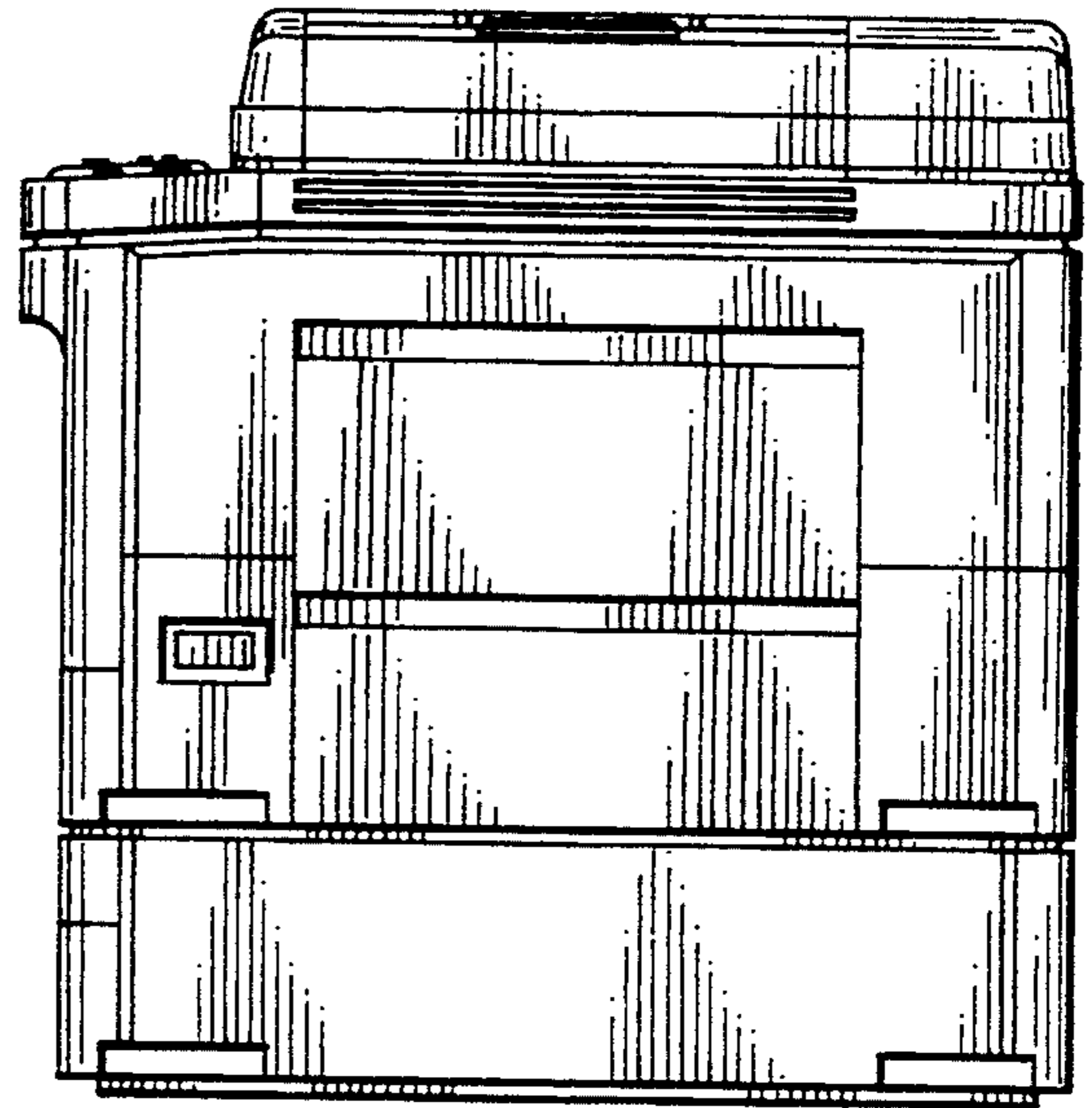


FIG. 6

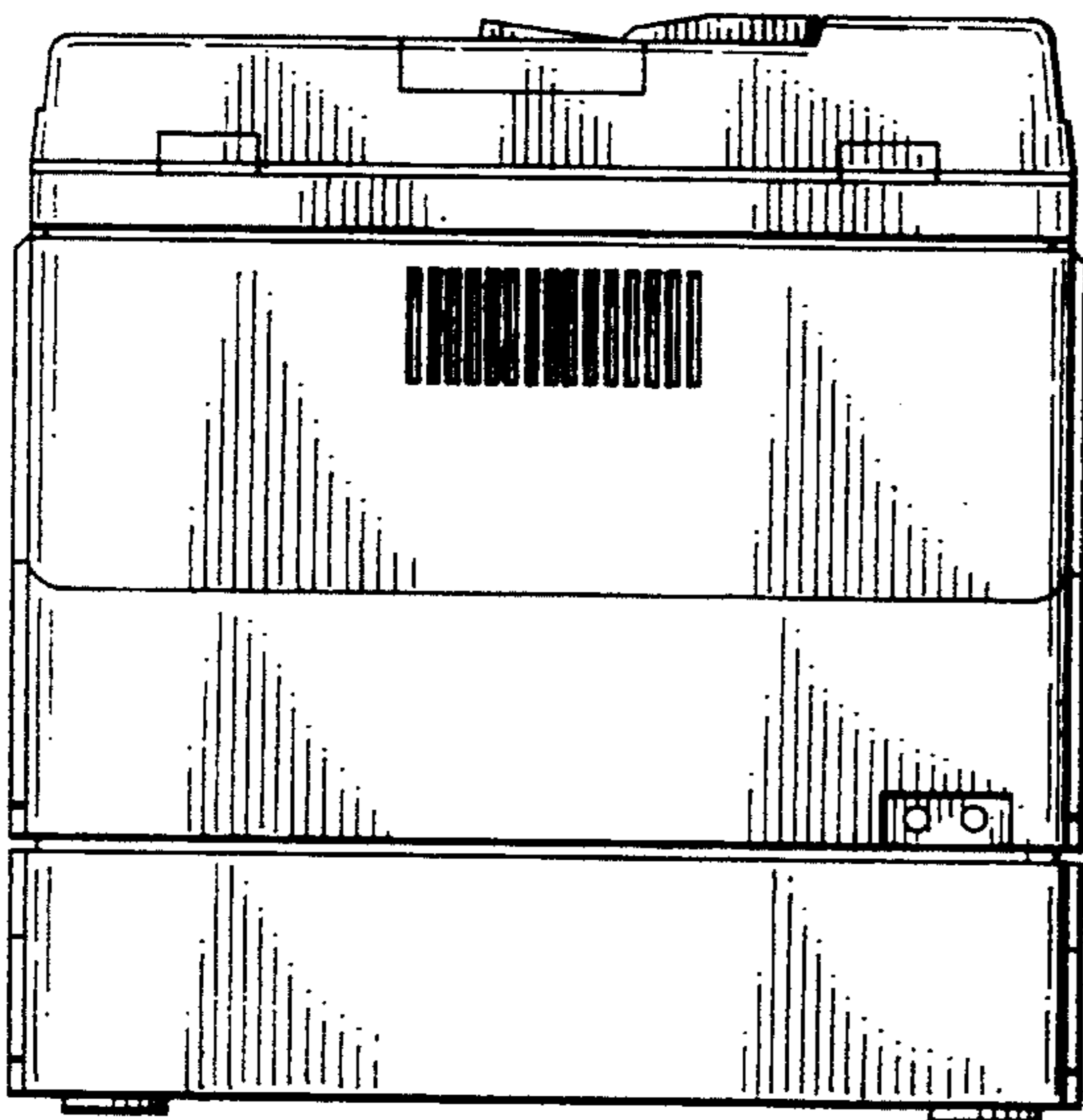


FIG. 7

