



US00D350764S

# United States Patent [19] Gray et al.

[11] Patent Number: **Des. 350,764**  
[45] Date of Patent: **\*\* Sep. 20, 1994**

[54] **LABEL PRINTER**

[75] Inventors: **Philip J. Gray, Royston; Barrie K. Weaver, London, both of United Kingdom**

[73] Assignee: **Esselte Dymo, St. Niklaas, Belgium**

[\*\*] Term: **14 Years**

[21] Appl. No.: **9,897**

[22] Filed: **Jun. 23, 1993**

[30] **Foreign Application Priority Data**

Dec. 24, 1992 [GB] United Kingdom ..... 2027979

[52] U.S. Cl. .... **D18/19; D18/52**

[58] Field of Search ..... 400/615.2, 690-694, 400/613, 613.1-613.4, 690.1-690.4, 120 HH; D18/50, 52, 54, 55, 19; D14/100

[56] **References Cited**

**U.S. PATENT DOCUMENTS**

D. 298,624	11/1988	Shiozawa et al. ....	D14/100
D. 302,682	8/1989	Bloom et al. ....	D18/54
D. 312,625	12/1990	Wetzel .....	D18/4
D. 317,014	5/1991	Oyamada et al. ....	D18/54
D. 332,462	1/1993	Takahashi .....	D18/19
D. 336,917	6/1993	Iwanaga .....	D18/52
D. 337,063	7/1993	Iwanaga .....	D18/52
D. 337,780	7/1993	Thom .....	D18/52

D. 344,537	2/1994	Tsuchida et al. ....	D18/19
4,107,459	8/1978	Stamper .....	D18/52
4,253,774	3/1981	Hanakata et al. ....	400/613
5,015,324	5/1991	Goodwin et al. ....	D18/19
5,022,771	6/1991	Pague .....	400/613
5,150,130	9/1992	Sato .....	101/288

**FOREIGN PATENT DOCUMENTS**

599852	4/1983	Japan .....	D14/1 100
693275	8/1986	Japan .....	D18/1 100
0161567	7/1987	Japan .....	400/120 HH

**OTHER PUBLICATIONS**

King Jim Co., Ltd., brochure for Label Printer; May 1992; cover photo.

*Primary Examiner*—Cathy Anne MacCormac

[57] **CLAIM**

The ornamental design for a label printer, as shown and described.

**DESCRIPTION**

FIG. 1 is a top plan view of a label printer showing our new design;

FIG. 2 is a bottom plan view thereof;

FIG. 3 is a side elevational view thereof;

FIG. 4 is a perspective view showing the front and top sections thereof; and,

FIG. 5 is a perspective view showing the bottom and rear sections thereof.

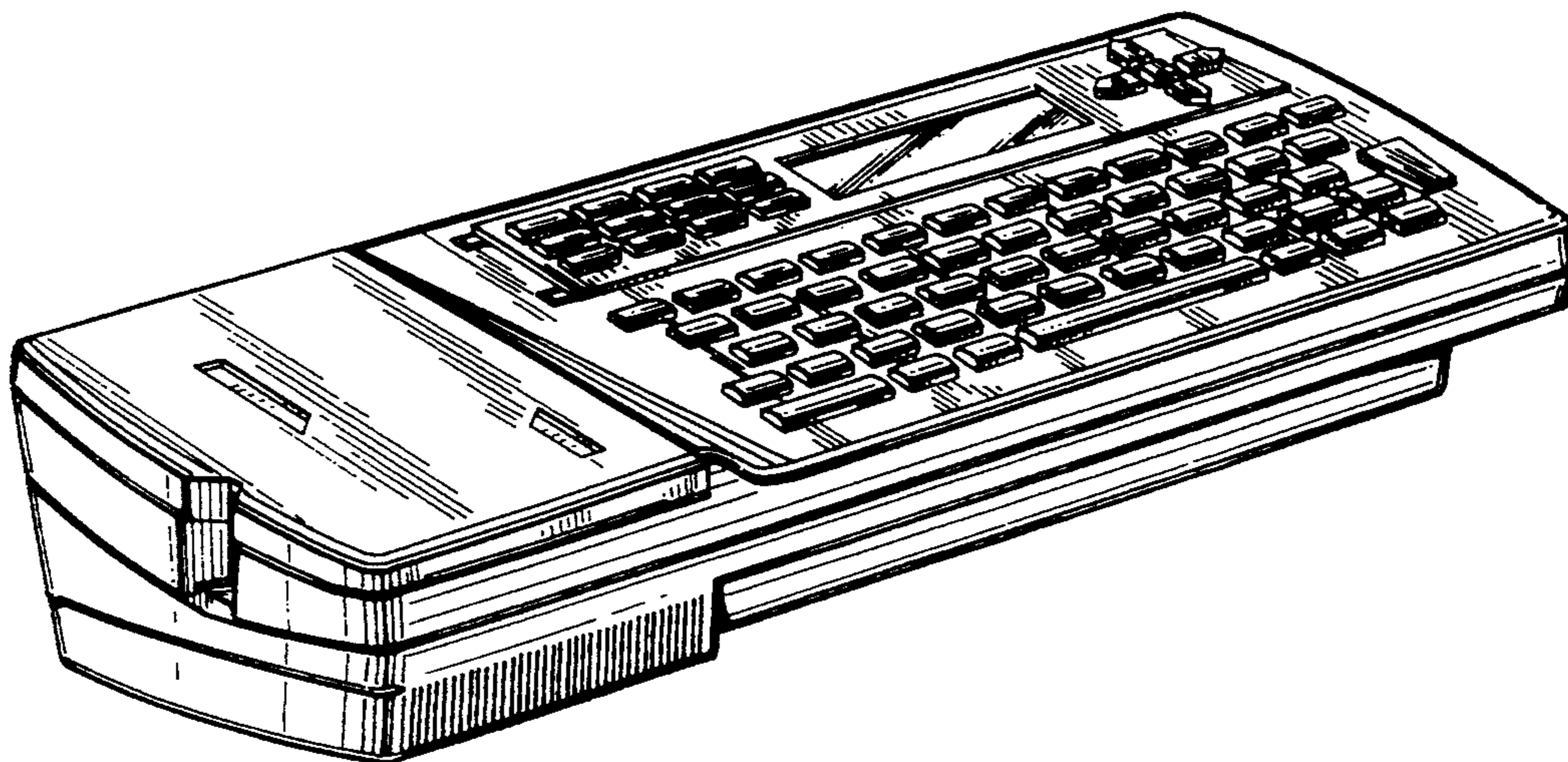


FIG. 1

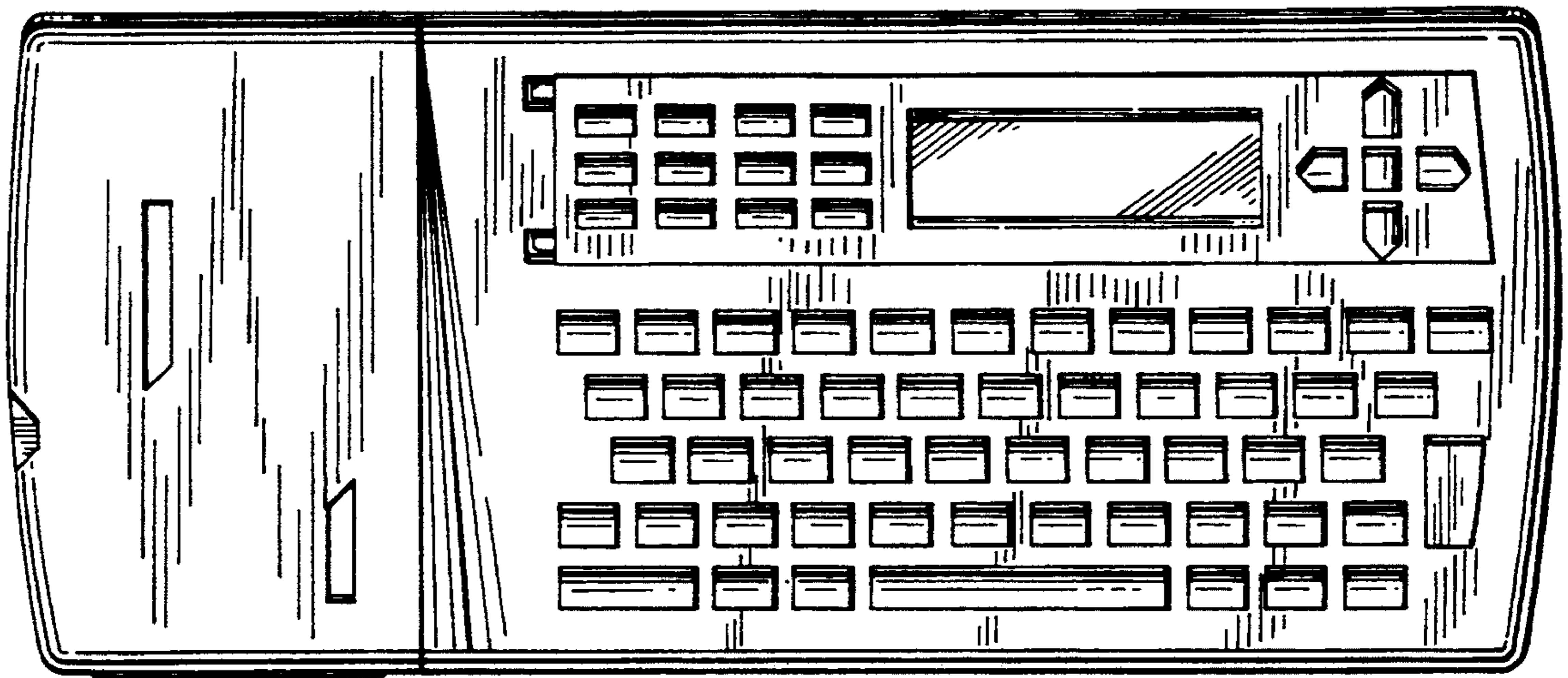


FIG. 2

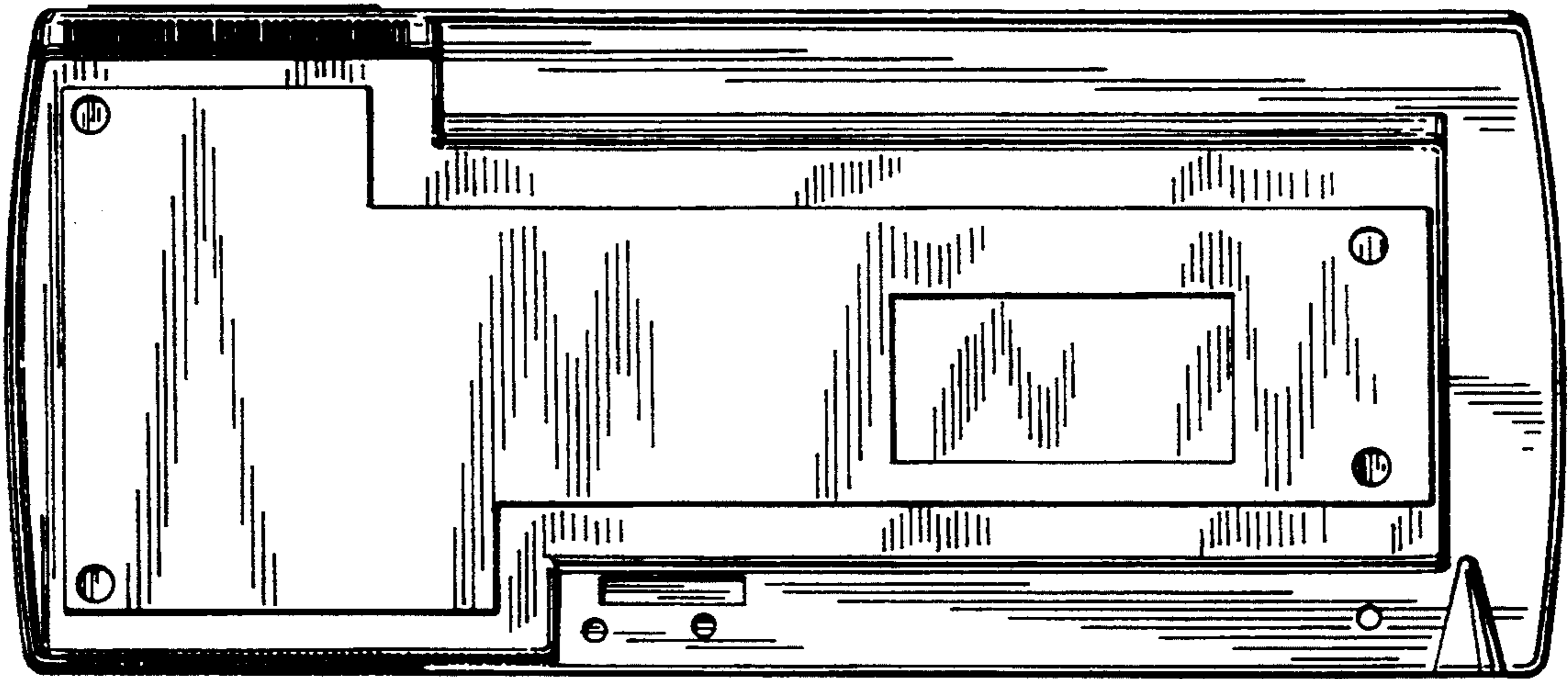


FIG. 3

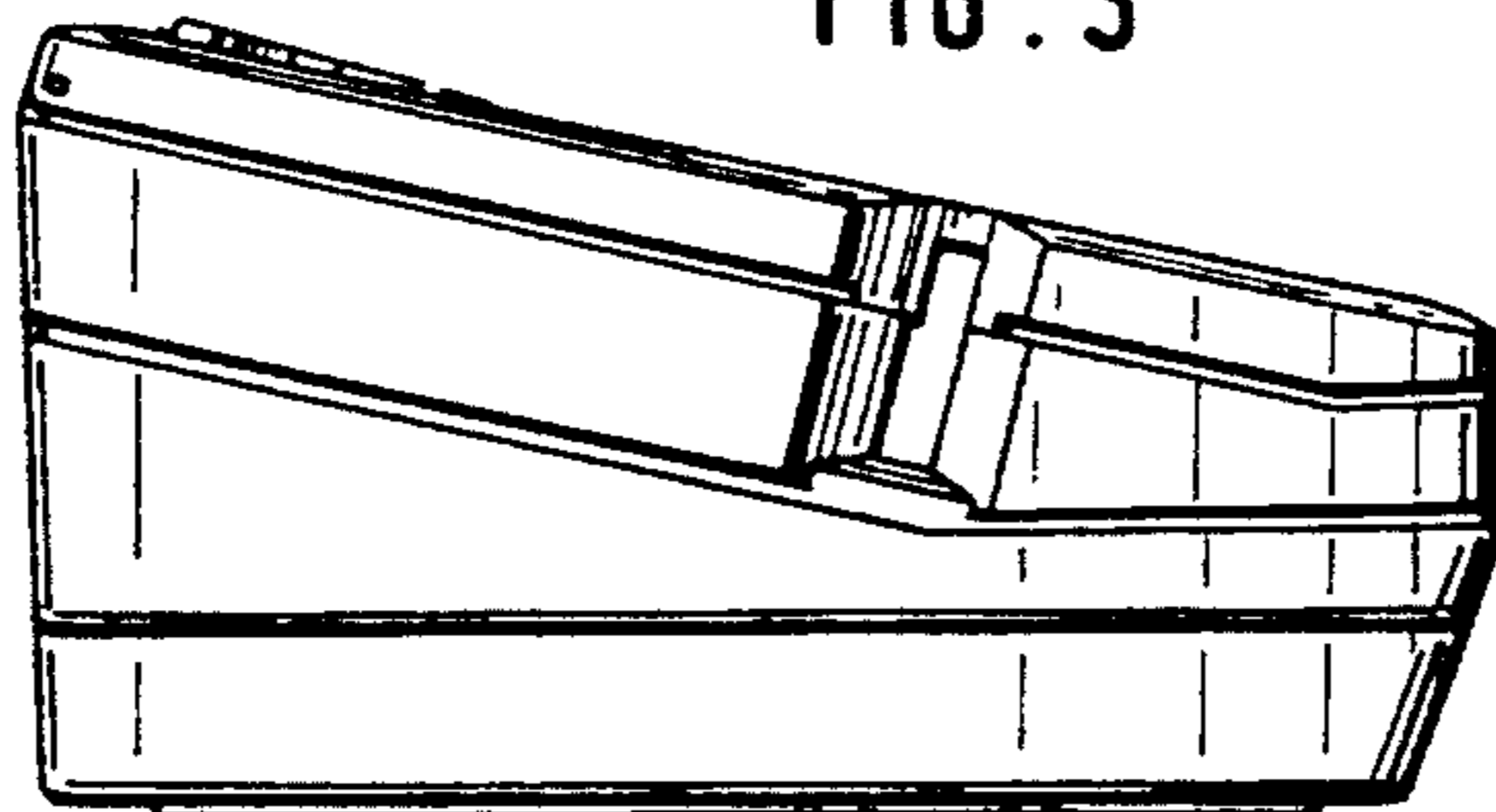




FIG. 4

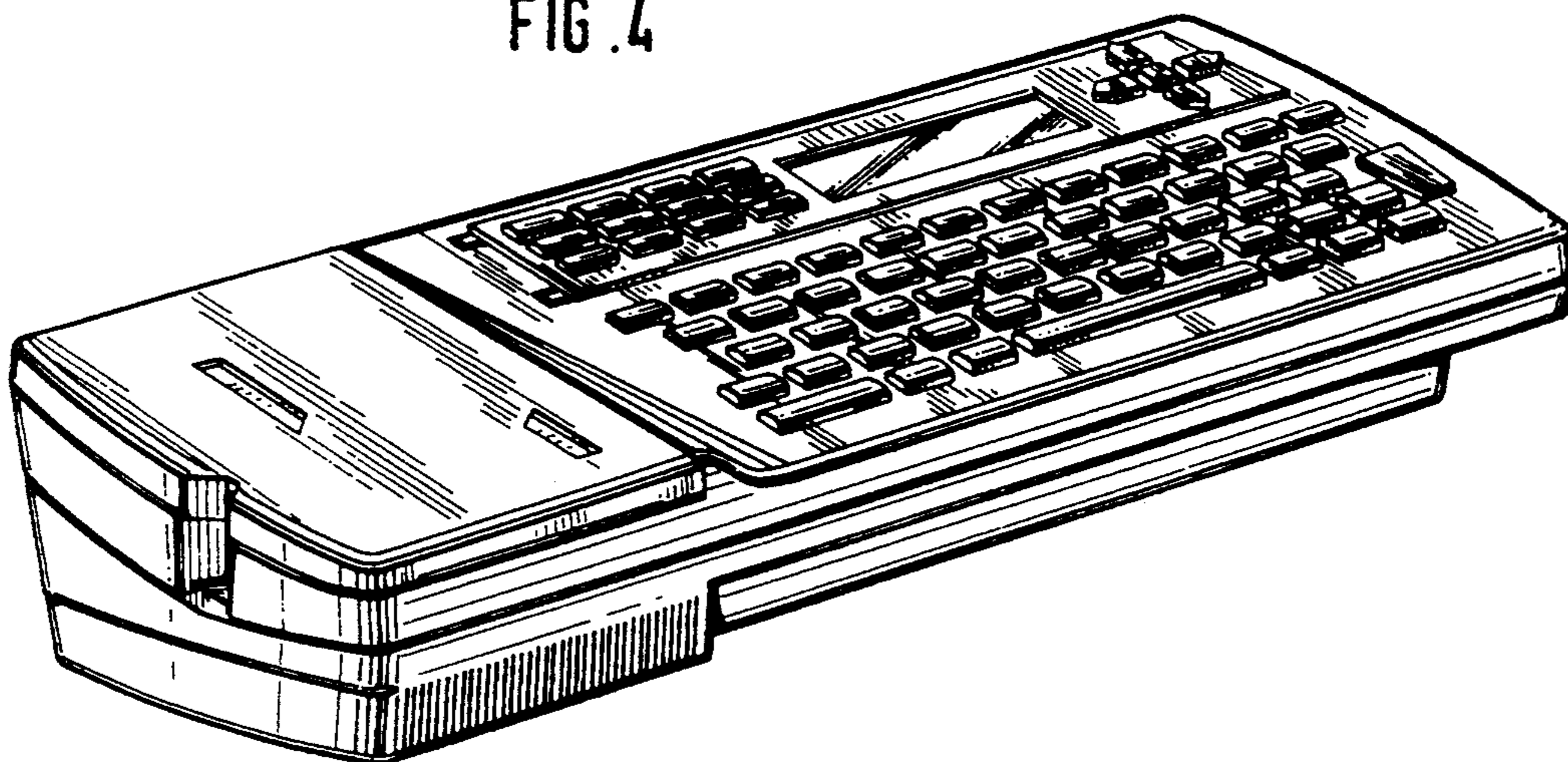


FIG. 5

