



US00D350762S

United States Patent [19]

[11] Patent Number: **Des. 350,762**

Ohno

[45] Date of Patent: **** Sep. 20, 1994**

[54] **ELECTRONIC DRUM**

[75] Inventor: **Masaharu Ohno**, Hamamatsu, Japan

[73] Assignee: **Yamaha Corporation**, Shizuoka, Japan

[**] Term: **14 Years**

[21] Appl. No.: **9,875**

[22] Filed: **Jun. 23, 1993**

[30] **Foreign Application Priority Data**

Dec. 29, 1992 [JP] Japan 4-38615

[52] U.S. Cl. **D17/22**

[58] Field of Search 84/411 R, 411 P, 723-733, 84/DIG. 12, DIG. 24; D17/22, 99; D21/64

[56] **References Cited**

U.S. PATENT DOCUMENTS

- D. 255,035 5/1980 North D17/22
- D. 279,658 7/1985 Hartsell D21/64
- D. 319,650 9/1991 Hart D17/22
- 2,326,305 8/1943 Morarre 84/411 R
- 4,581,972 4/1986 Hoshino 84/723

FOREIGN PATENT DOCUMENTS

2192087 10/1987 United Kingdom 84/411 R

OTHER PUBLICATIONS

Grossman Music Corp. Catalog, 1968 p. 89 (Round Practice Pad at the right of the page).

Primary Examiner—Bernard Ansher
Assistant Examiner—Adir Aronovich
Attorney, Agent, or Firm—Weingarten, Schurgin, Gagnebin & Hayes

[57] **CLAIM**

The ornamental design for electronic drum, as shown.

DESCRIPTION

FIG. 1 is a front, and left side perspective view of an electronic drum showing my new design;
FIG. 2 is a front view thereof;
FIG. 3 is a rear view thereof;
FIG. 4 is a right-side view thereof;
FIG. 5 is a left-side view thereof;
FIG. 6 is a top plan view thereof; and,
FIG. 7 is a bottom plan view thereof.

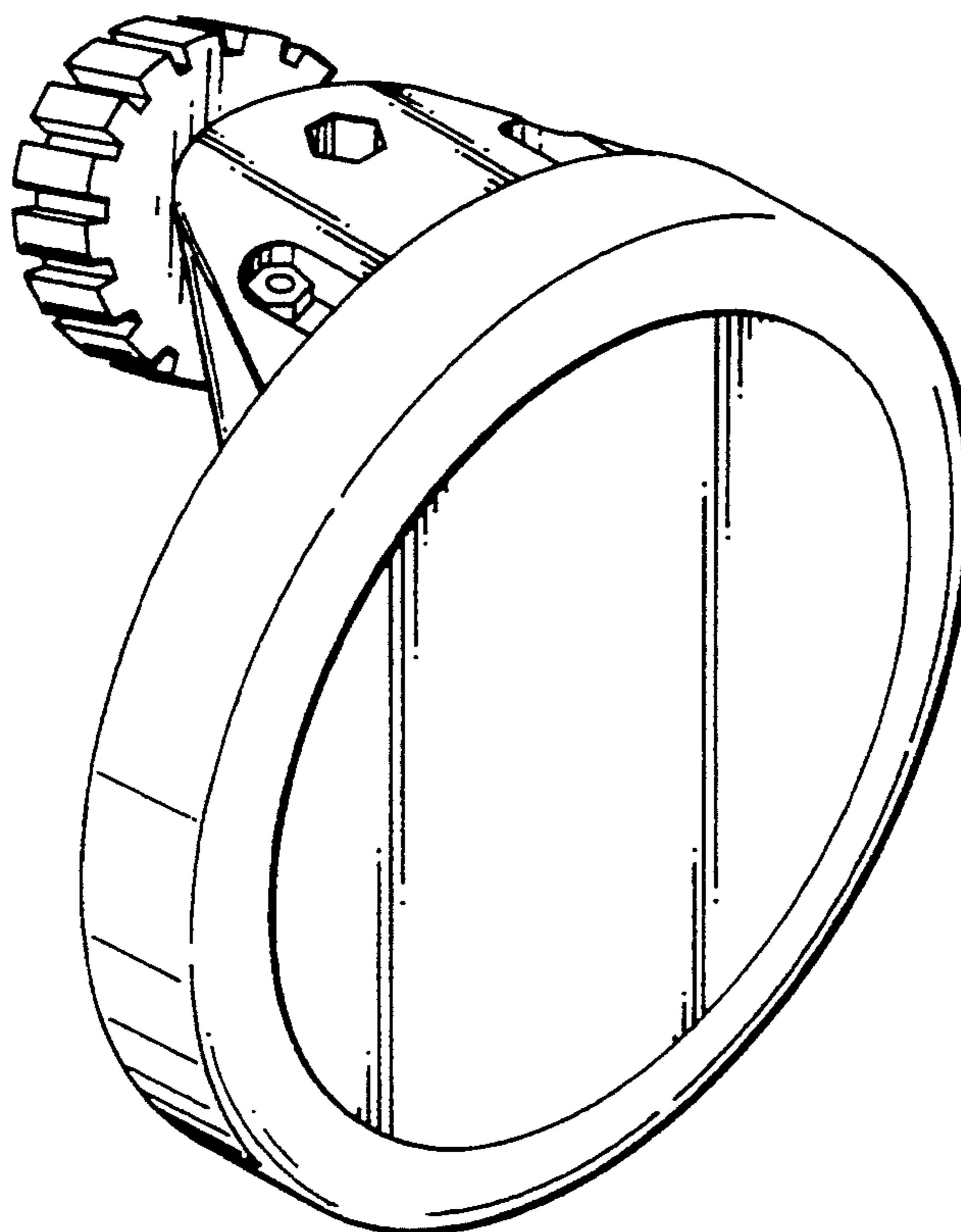


FIG. 1

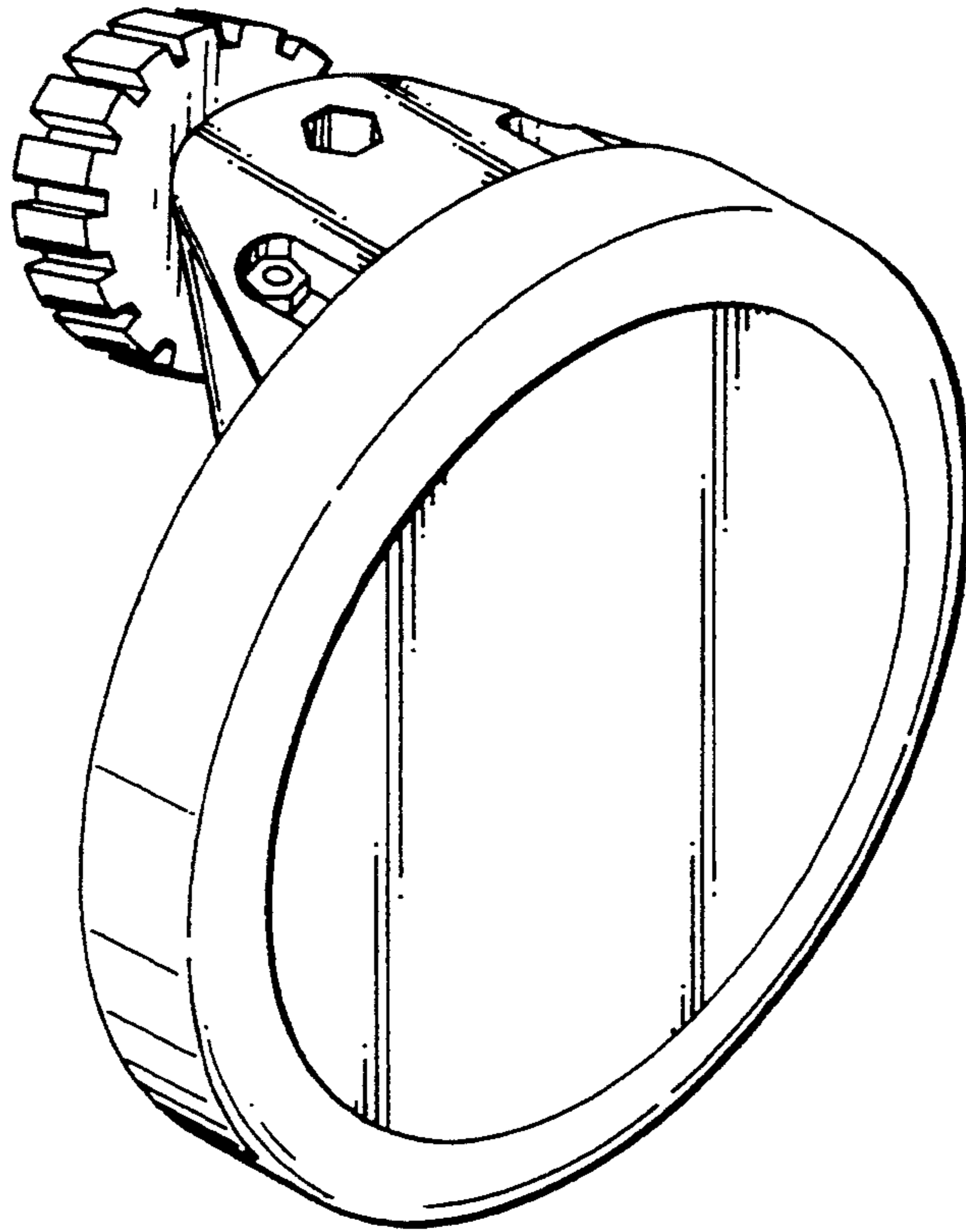


FIG. 2

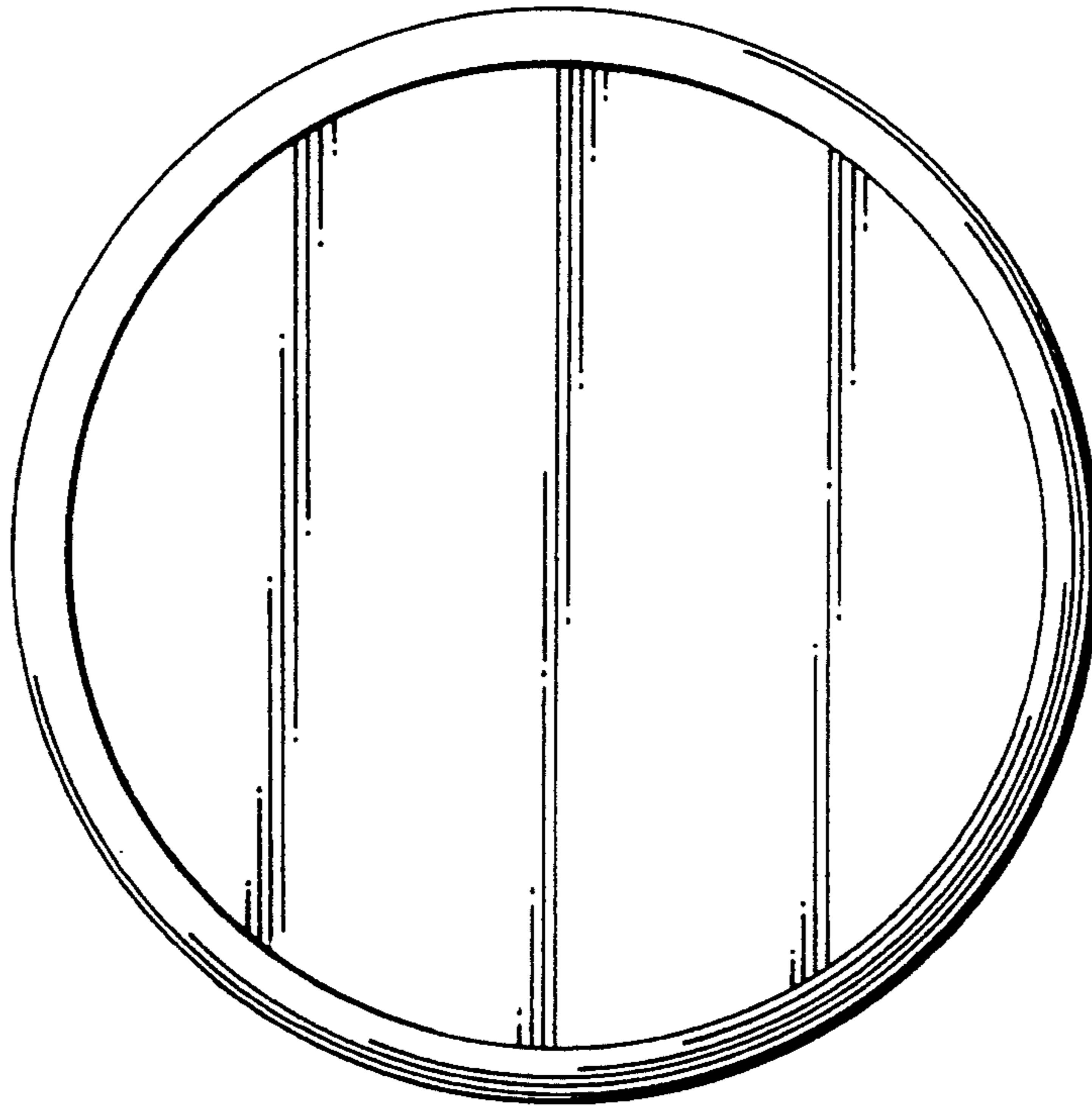


FIG. 3

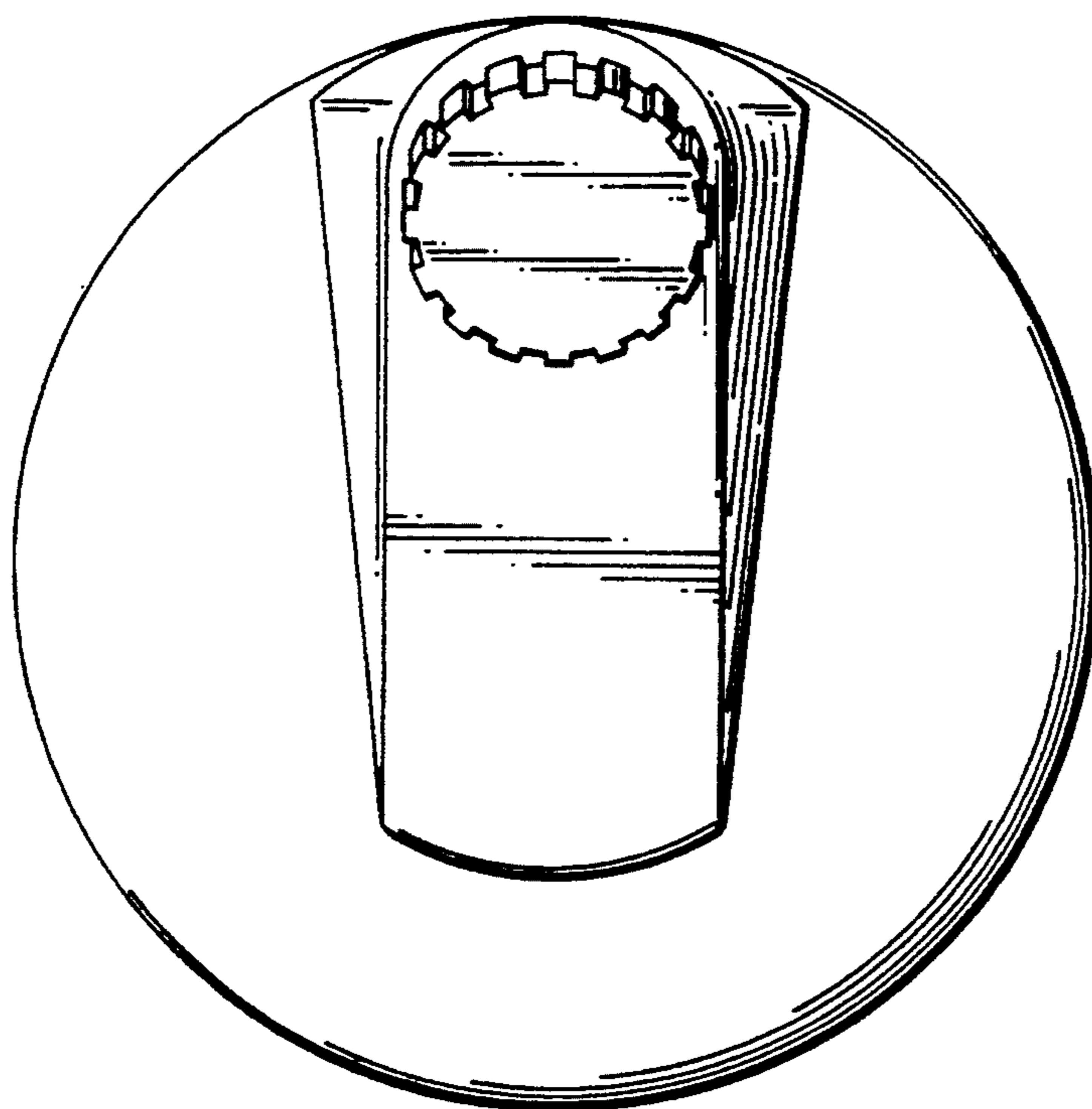


FIG. 4

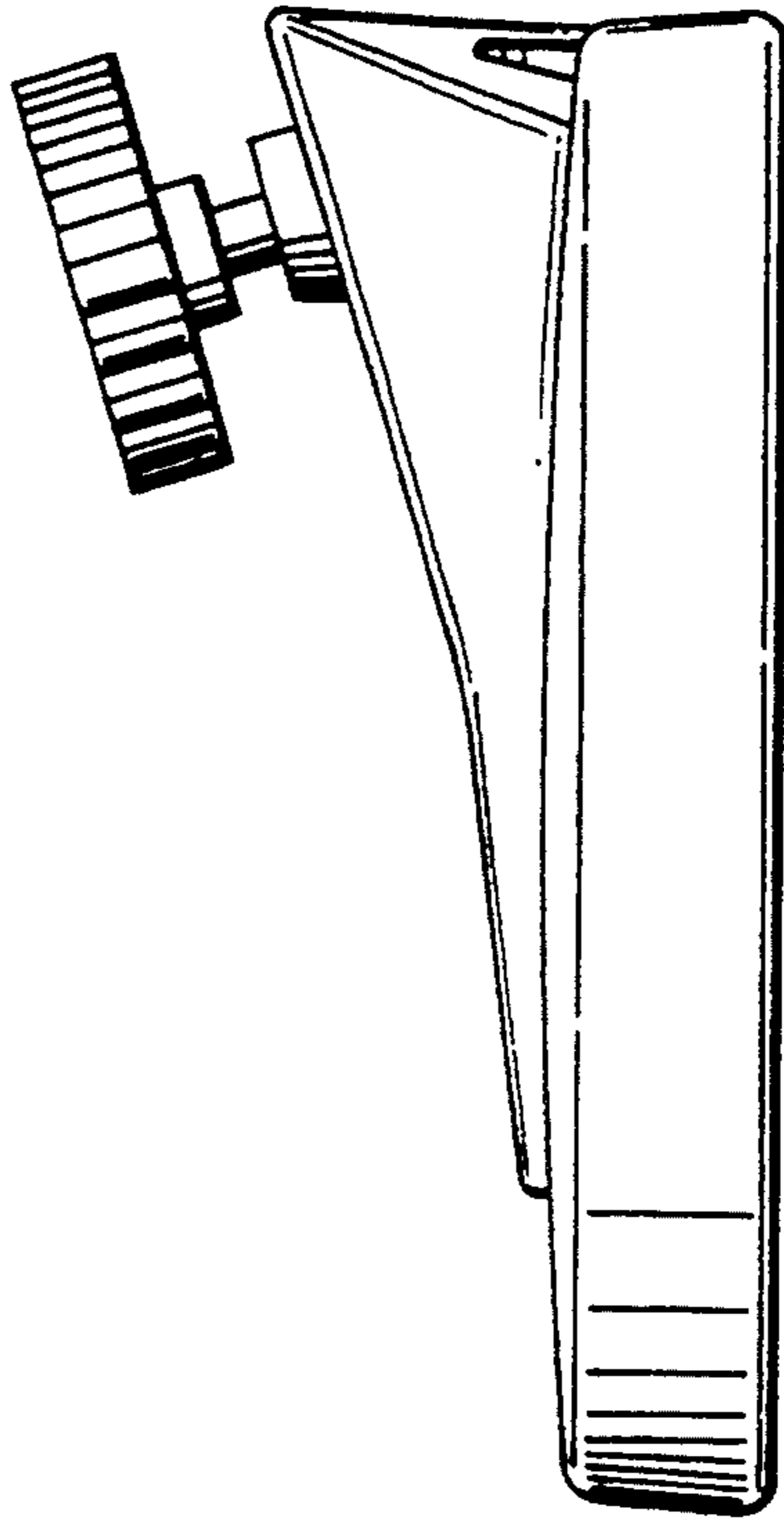


FIG. 5

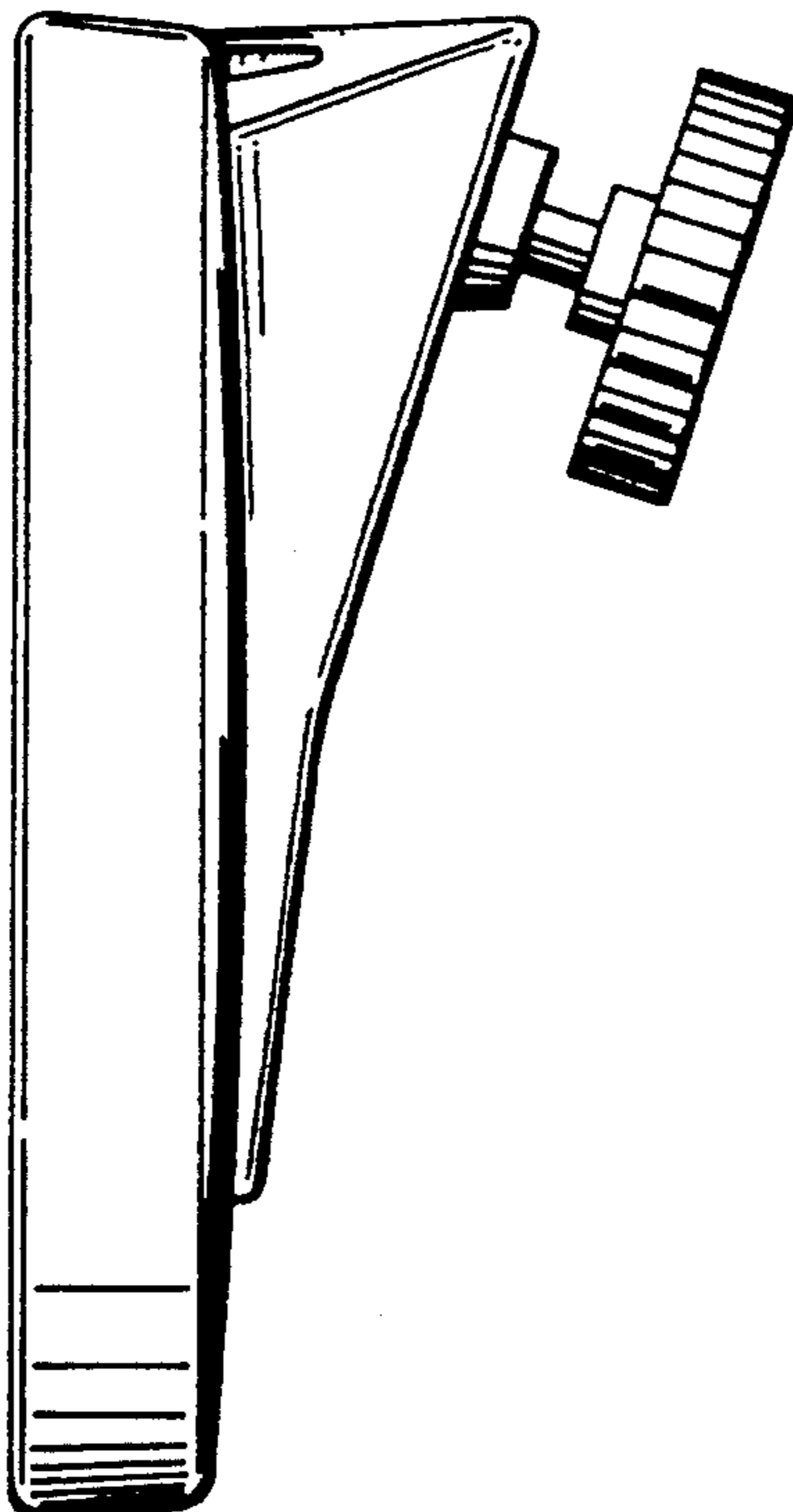


FIG.6

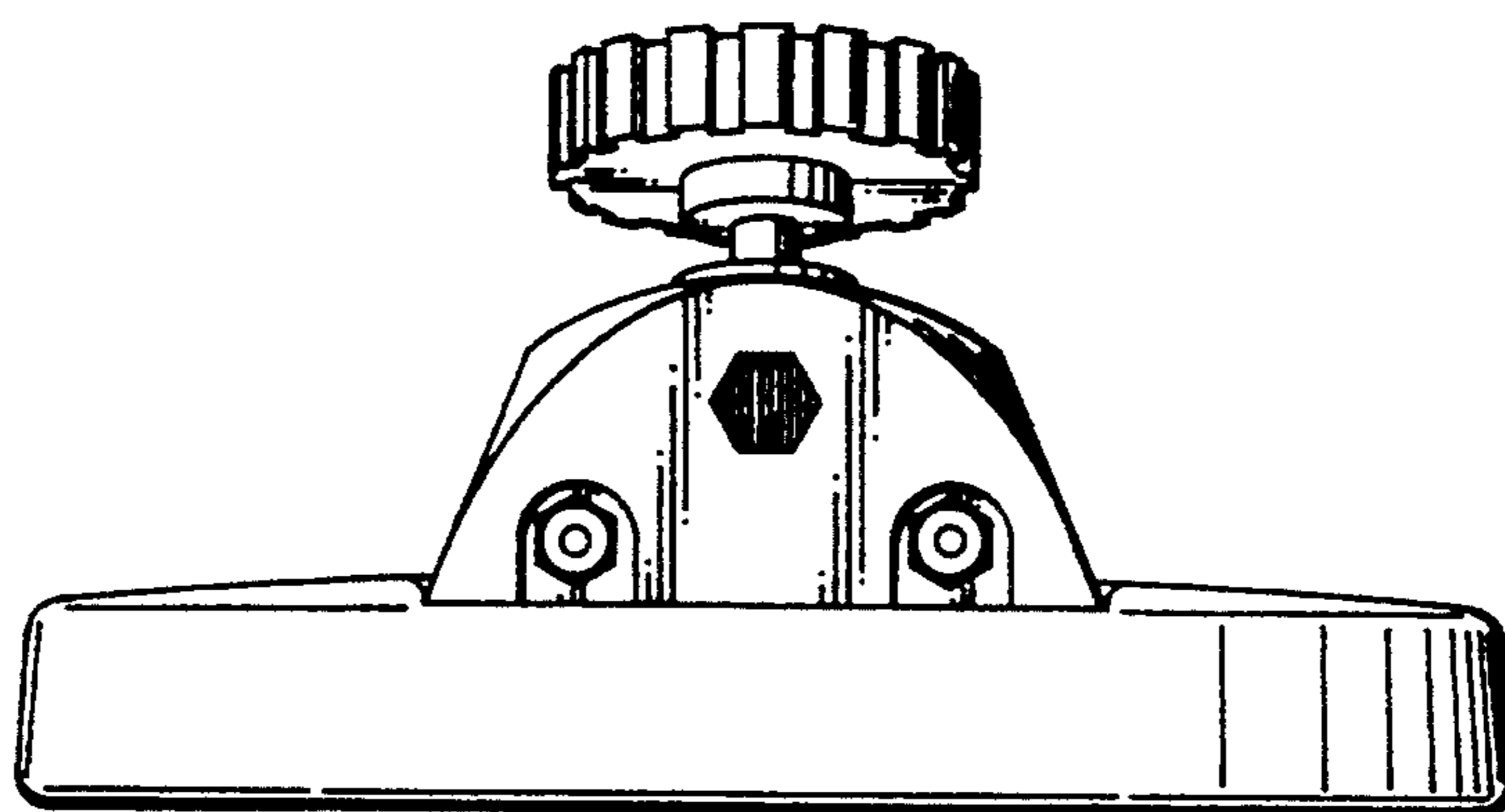


FIG.7

