



US00D350758S

United States Patent [19]
McLaughlin

[11] **Patent Number: Des. 350,758**
[45] **Date of Patent: ** Sep. 20, 1994**

[54] **PORTABLE ELECTRO-PLATING APPARATUS**
[75] **Inventor: Daniel A. McLaughlin, Madeira Beach, Fla.**
[73] **Assignee: Gold Effects, Inc., Largo, Fla.**
[**] **Term: 14 Years**
[21] **Appl. No.: 11,742**
[22] **Filed: Aug. 13, 1993**
[52] **U.S. Cl. D15/199; D34/19**
[58] **Field of Search 204/109, 194, 224 R, 204/228, 244 R, 271, 400, DIG. 12; D15/199; D34/12, 19**

4,668,364 5/1987 Farmer et al. 204/224 R
5,228,967 7/1993 Crites et al. 204/228

Primary Examiner—Alan P. Douglas
Assistant Examiner—Antoine D. Davis
Attorney, Agent, or Firm—James E. Larson; Herbert W. Larson

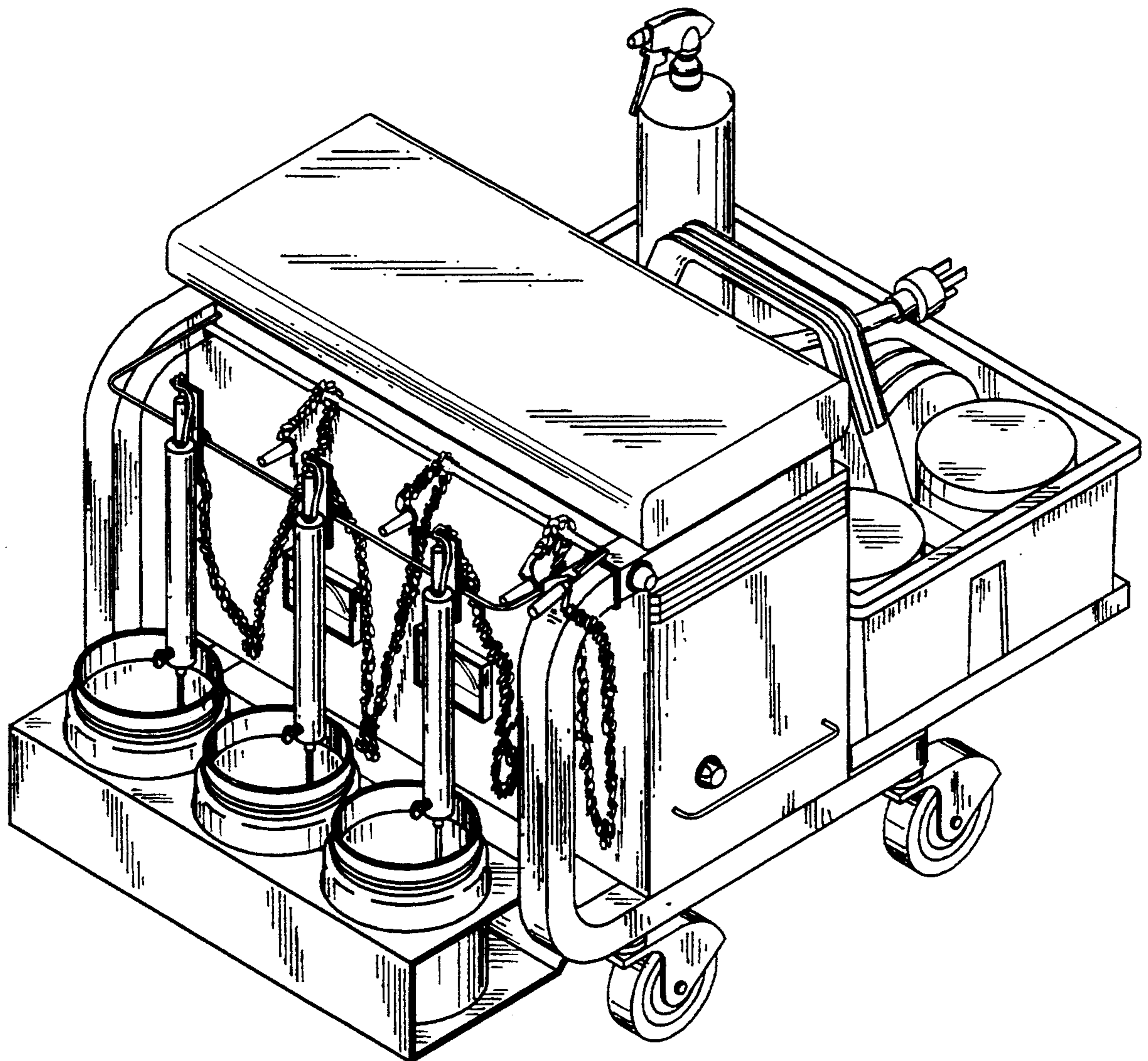
[57] **CLAIM**

The ornamental design for a portable electro-plating apparatus, as shown and described.

DESCRIPTION

FIG. 1 is a perspective view of a portable electro-plating apparatus showing my new design; FIG. 2 is a top plan view thereof; FIG. 3 is a front elevational view thereof; FIG. 4 is a rear elevational view thereof; FIG. 5 is a left side elevational view thereof; FIG. 6 is a right side elevational view thereof; and, FIG. 7 is a bottom plan view thereof.

[56] **References Cited**
U.S. PATENT DOCUMENTS
3,752,752 8/1973 Slatin et al. 204/194



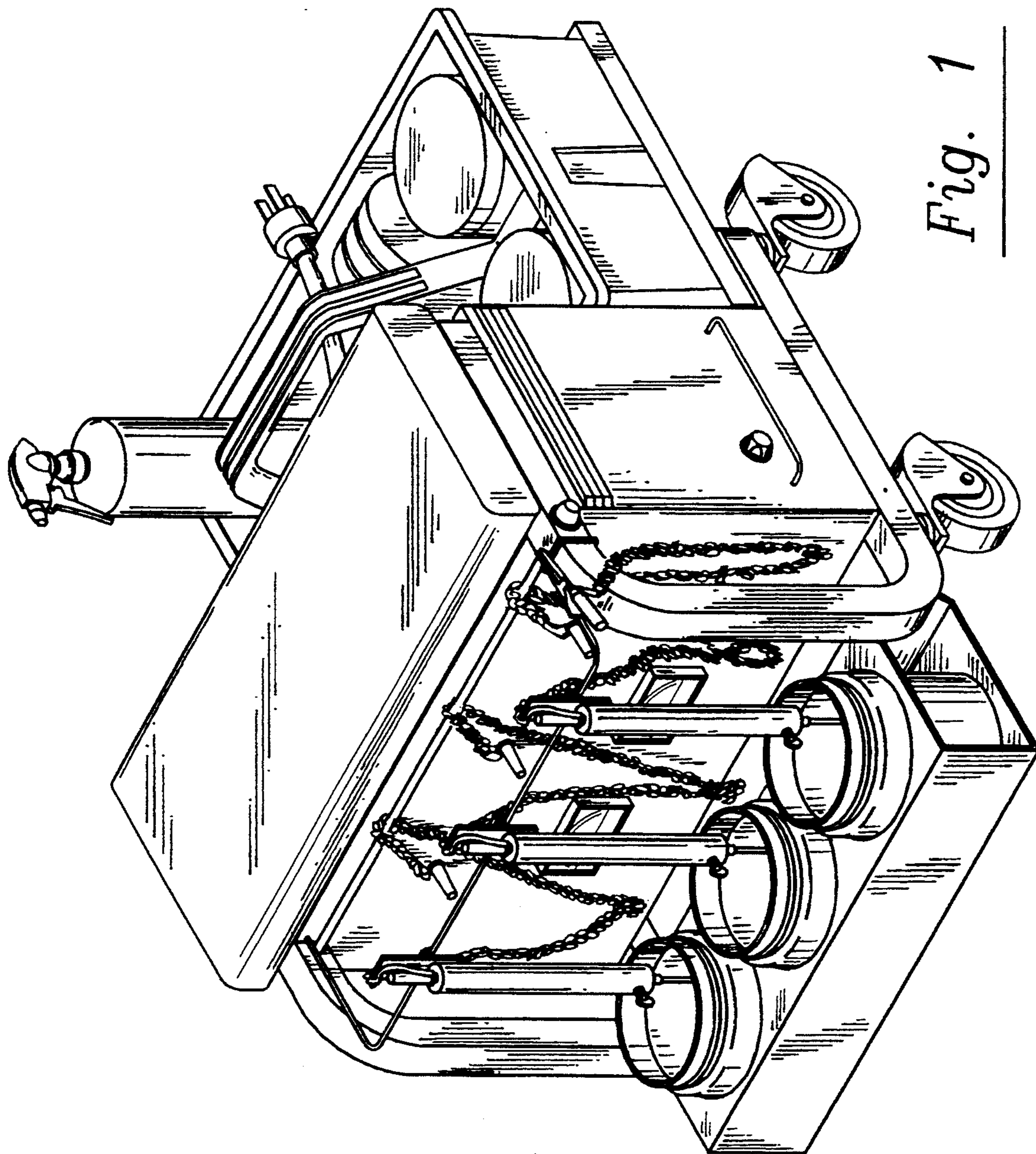


Fig. 1

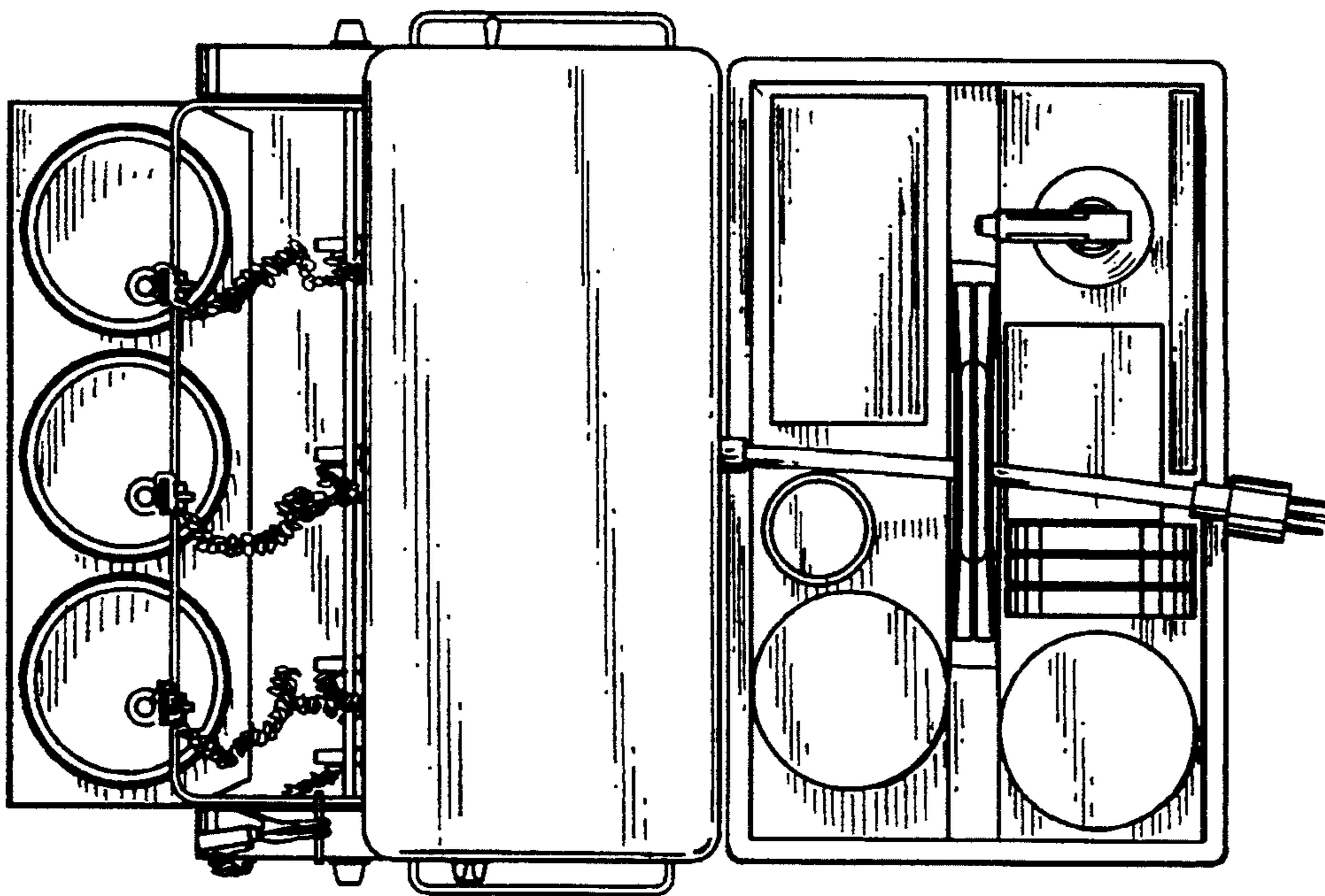


Fig. 2

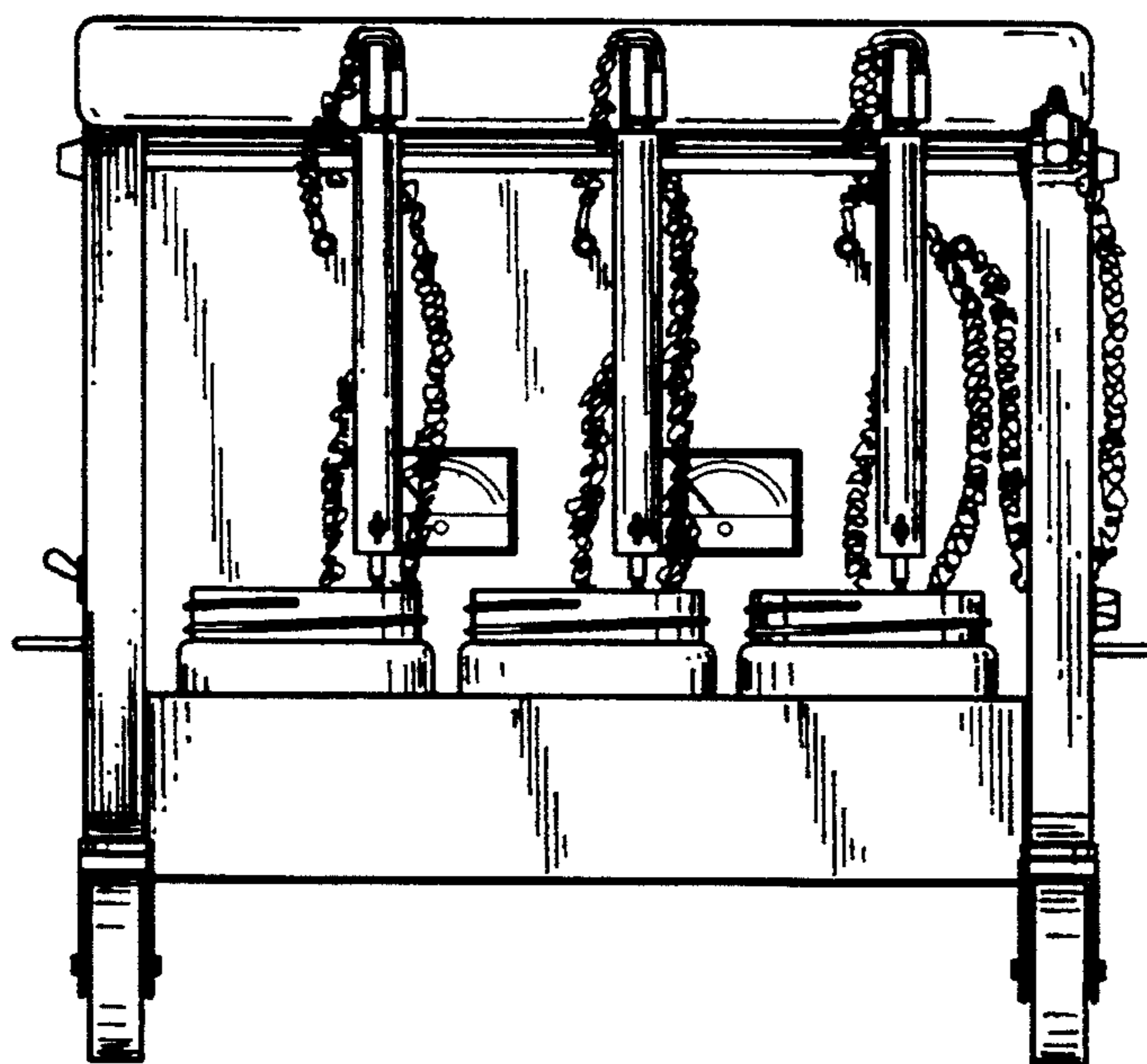


Fig. 3

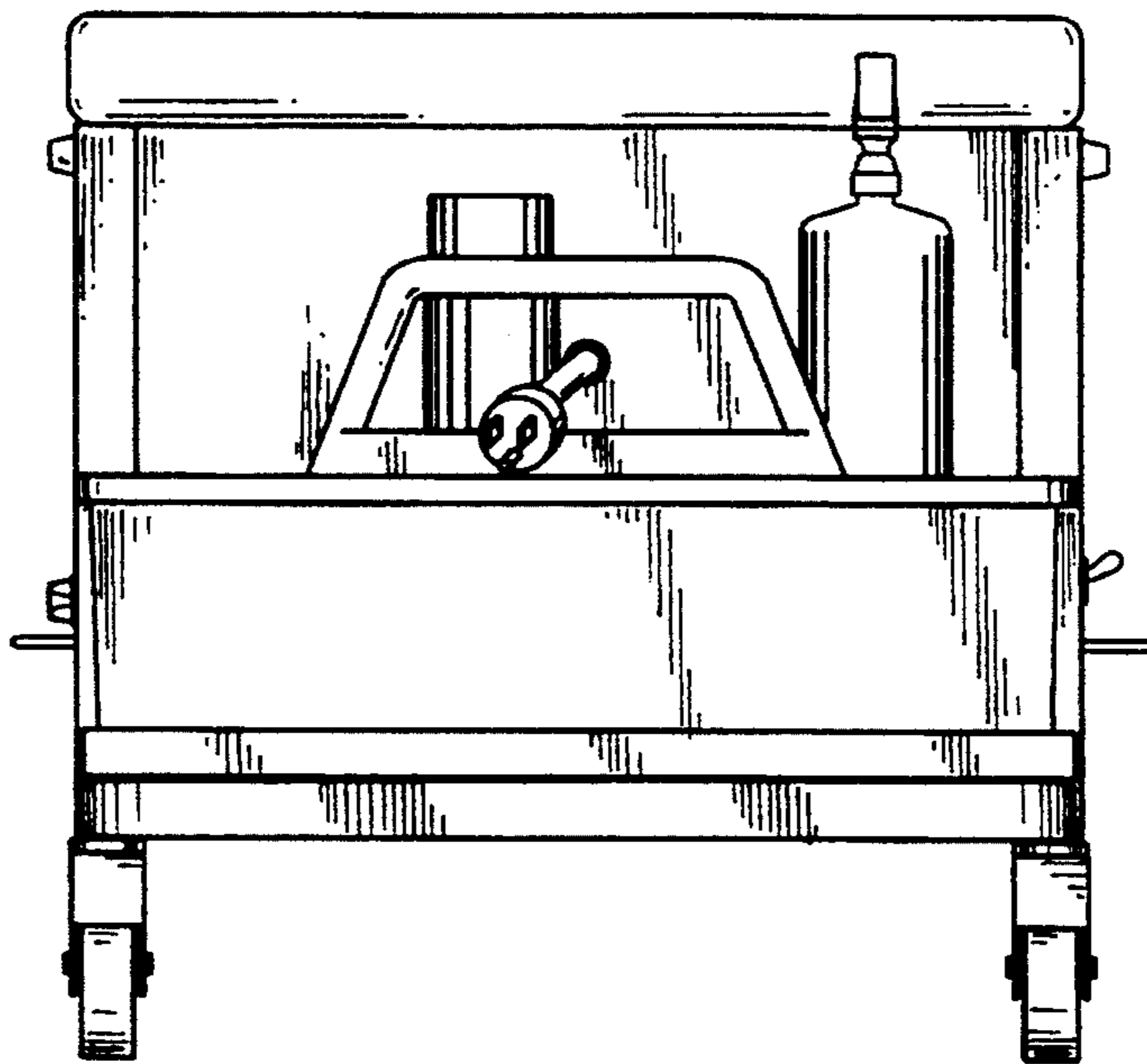


Fig. 4

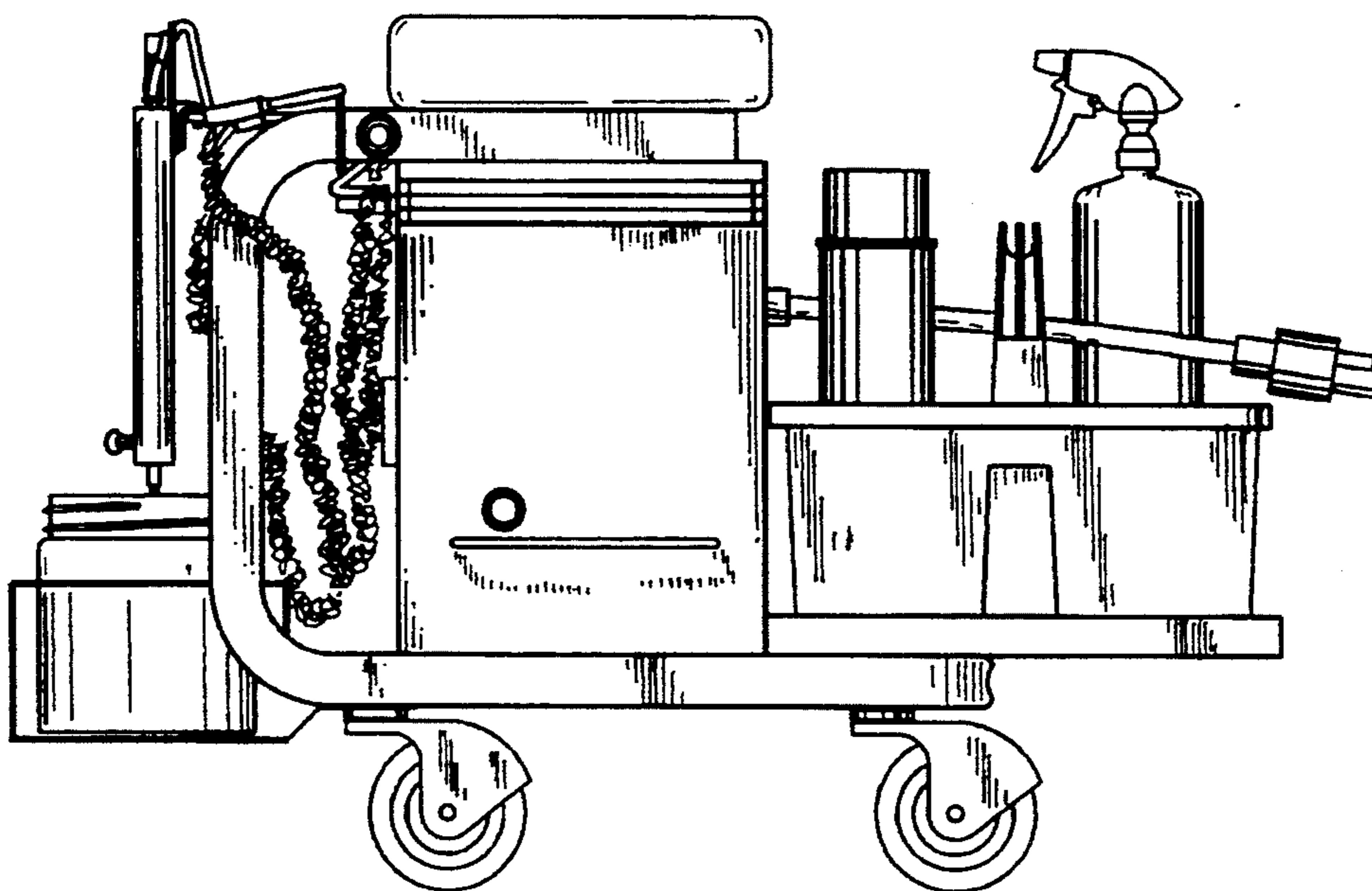


Fig. 5

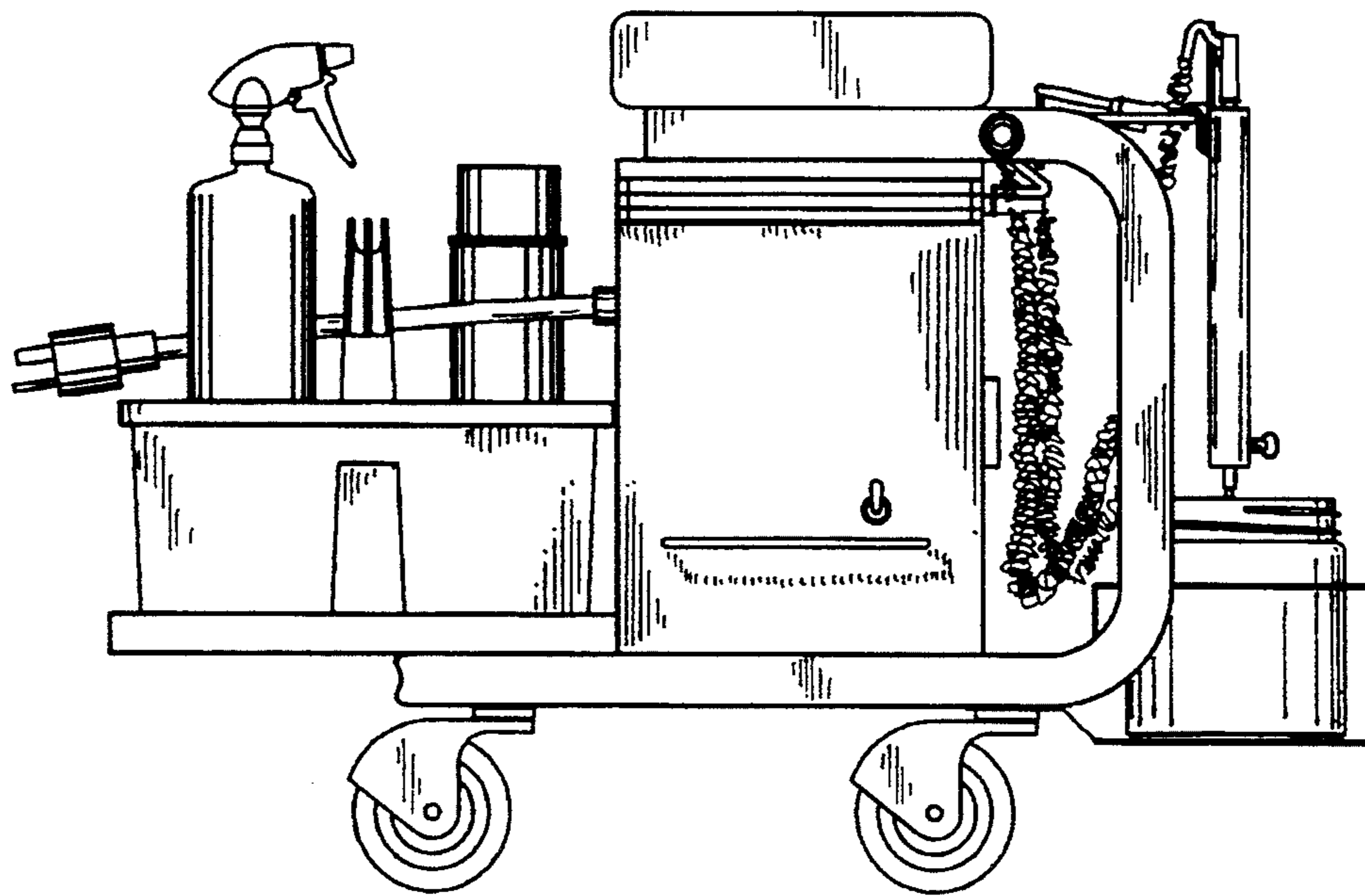


Fig. 6

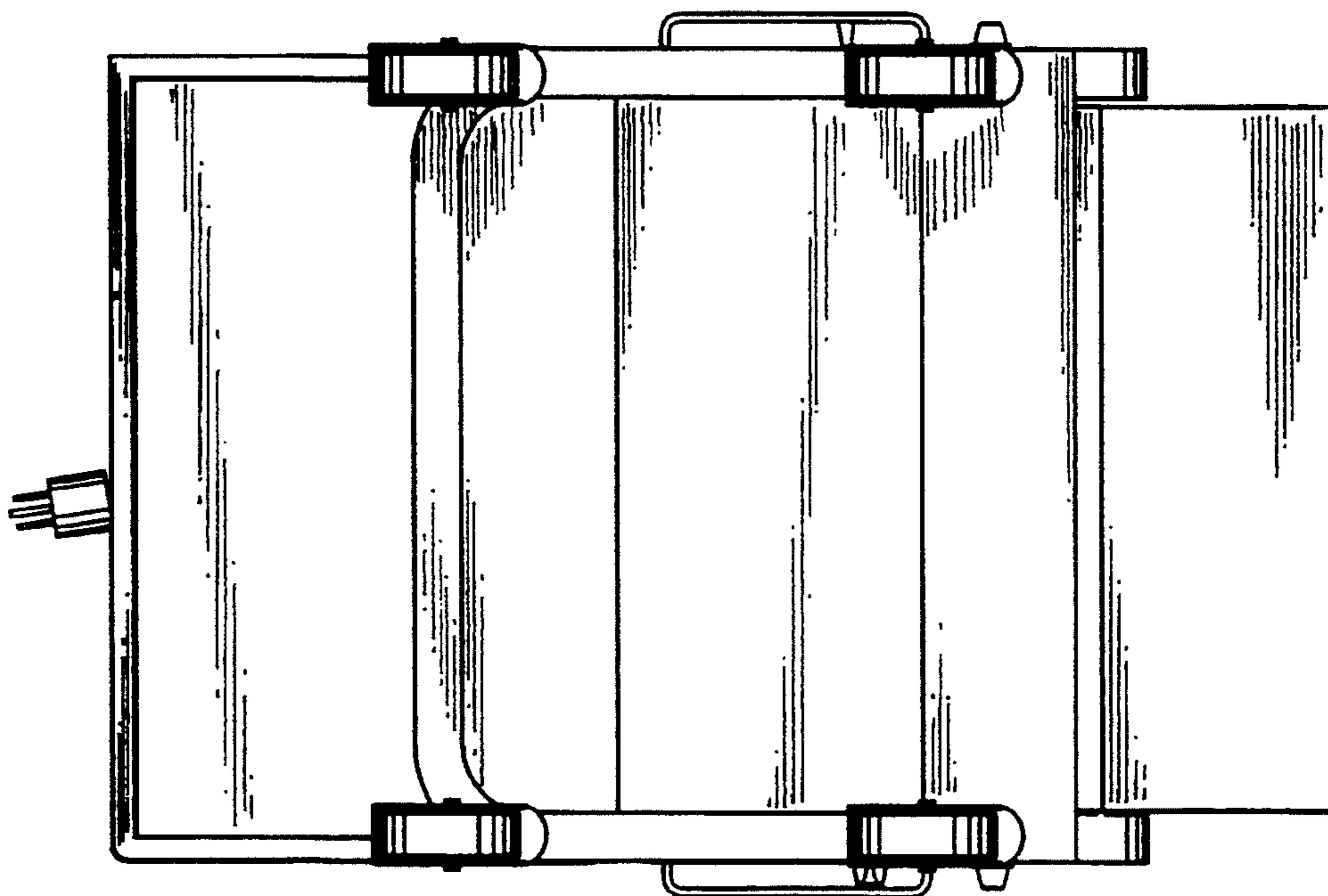


Fig. 7