



US00D350757S

United States Patent [19] Carpenter

[11] Patent Number: **Des. 350,757**

[45] Date of Patent: **** Sep. 20, 1994**

[54] **CLIP-ON EARPHONE**

[76] Inventor: **Todd P. Carpenter, 36 Janette Dr., Poca, W. Va. 25159**

[**] Term: **14 Years**

[21] Appl. No.: **11,416**

[22] Filed: **Aug. 5, 1993**

[52] U.S. Cl. **D14/223**

[58] Field of Search 381/151, 187; D14/192, D14/205, 223; D11/42

4,020,297 4/1977 Brodie 379/430
 4,791,673 12/1988 Schreiber 381/151
 4,972,492 11/1990 Tanaka et al. 381/187
 5,048,092 9/1991 Yamagishi et al. 381/187

Primary Examiner—B. J. Bullock
Attorney, Agent, or Firm—Terry M. Gernstein

[57] CLAIM

The ornamental design for a clip-on earphone, as shown and described.

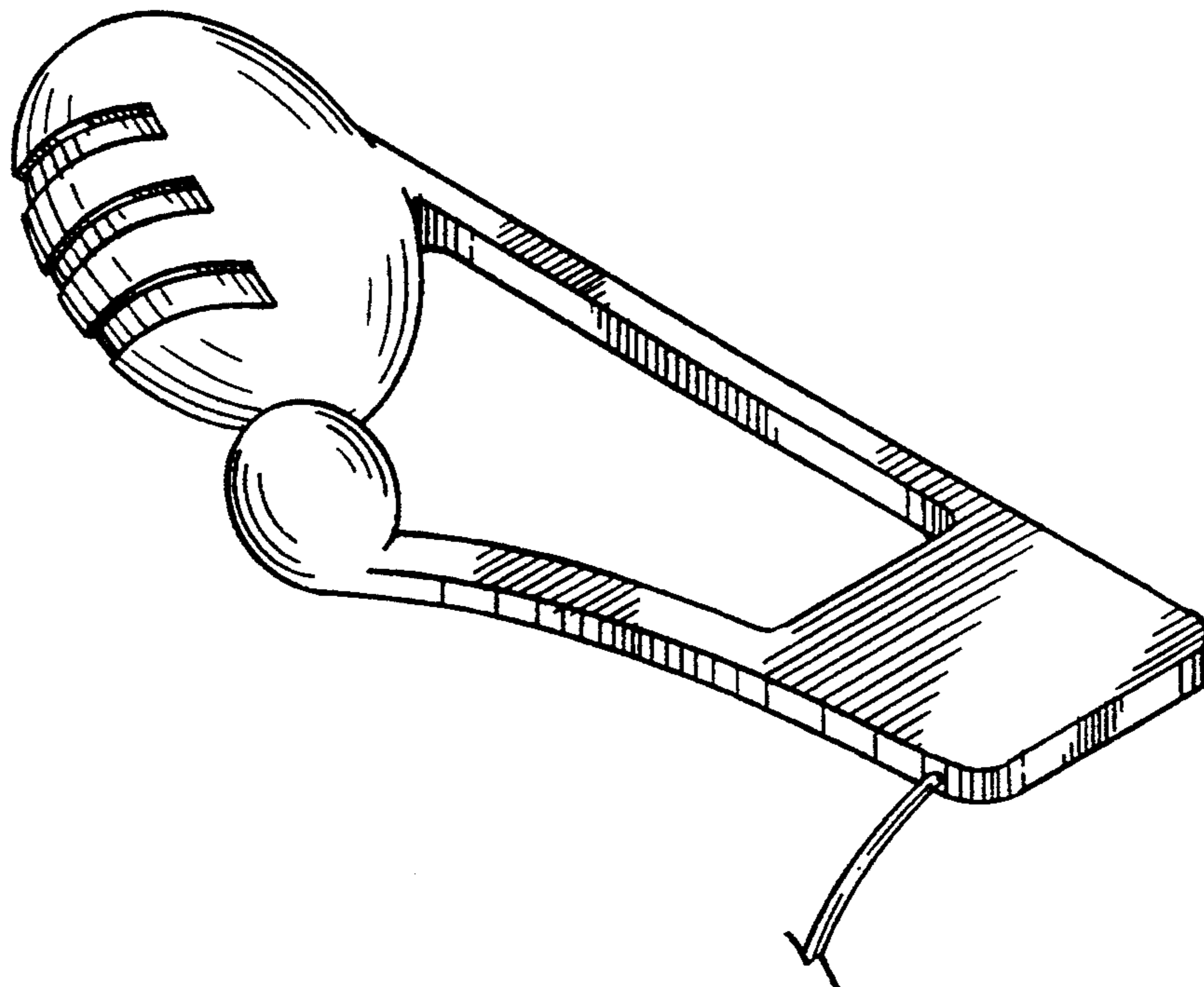
DESCRIPTION

FIG. 1 is a front, top and side perspective view of the clip-on earphone showing my new design;
 FIG. 2 is a left side elevational view thereof, the right side being a mirror image;
 FIG. 3 is a front elevational view thereof;
 FIG. 4 is a rear elevational view thereof;
 FIG. 5 is a top plan view thereof; and,
 FIG. 6 is a bottom plan view thereof.
 The cord which is shown in FIGS. 1, 2, 5, and 6 is broken away to indicate indeterminate length.

[56] **References Cited**

U.S. PATENT DOCUMENTS

D. 180,695 7/1957 Norris D14/192
 D. 189,793 2/1961 Howard D11/42
 D. 300,133 3/1989 Daidoh .
 D. 305,541 1/1990 Hirose .
 D. 311,007 10/1990 Daido .
 D. 337,118 7/1993 Seikita D14/223
 3,828,577 8/1974 Haynes D11/42



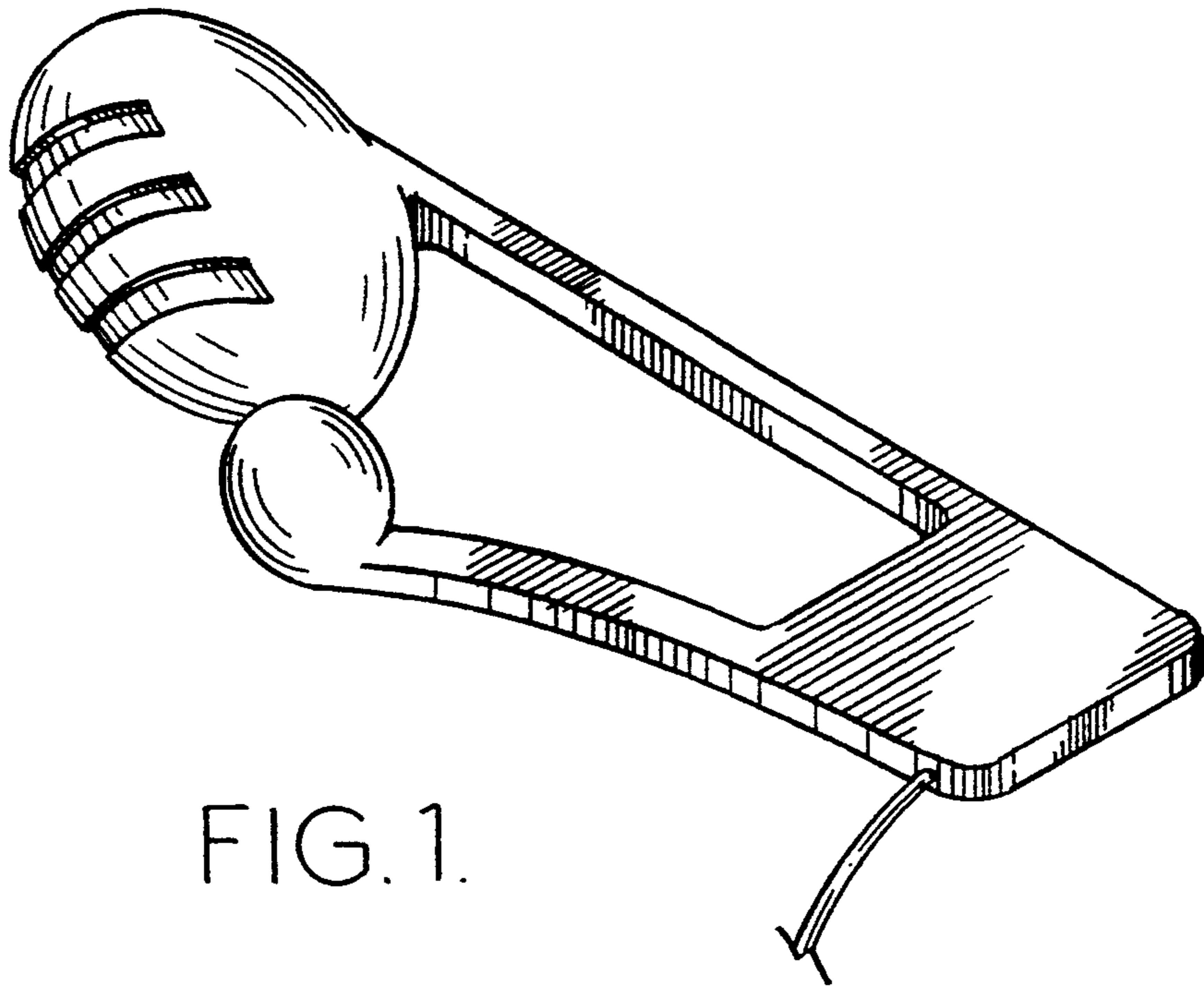


FIG. 1.

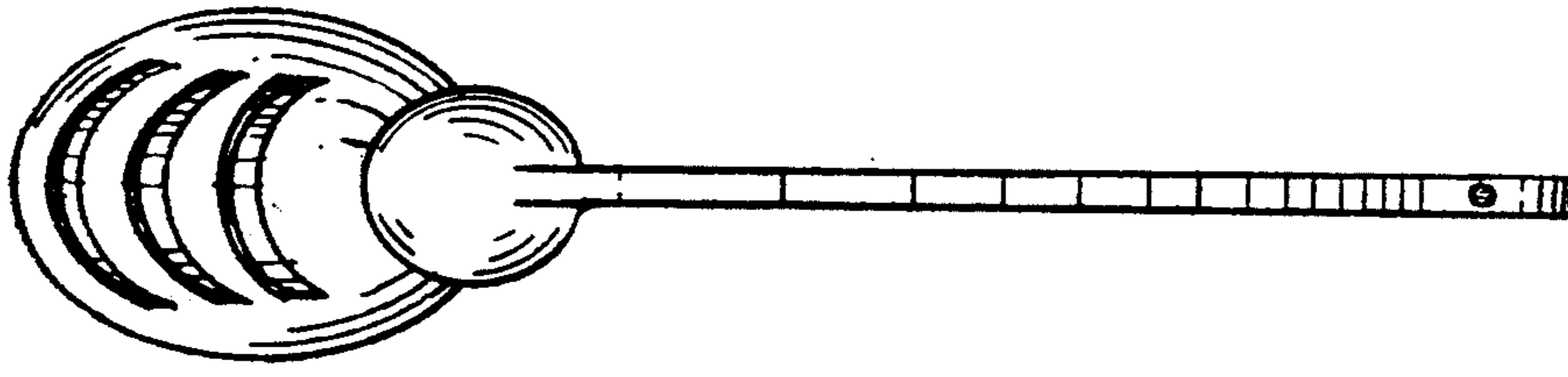


FIG. 4.

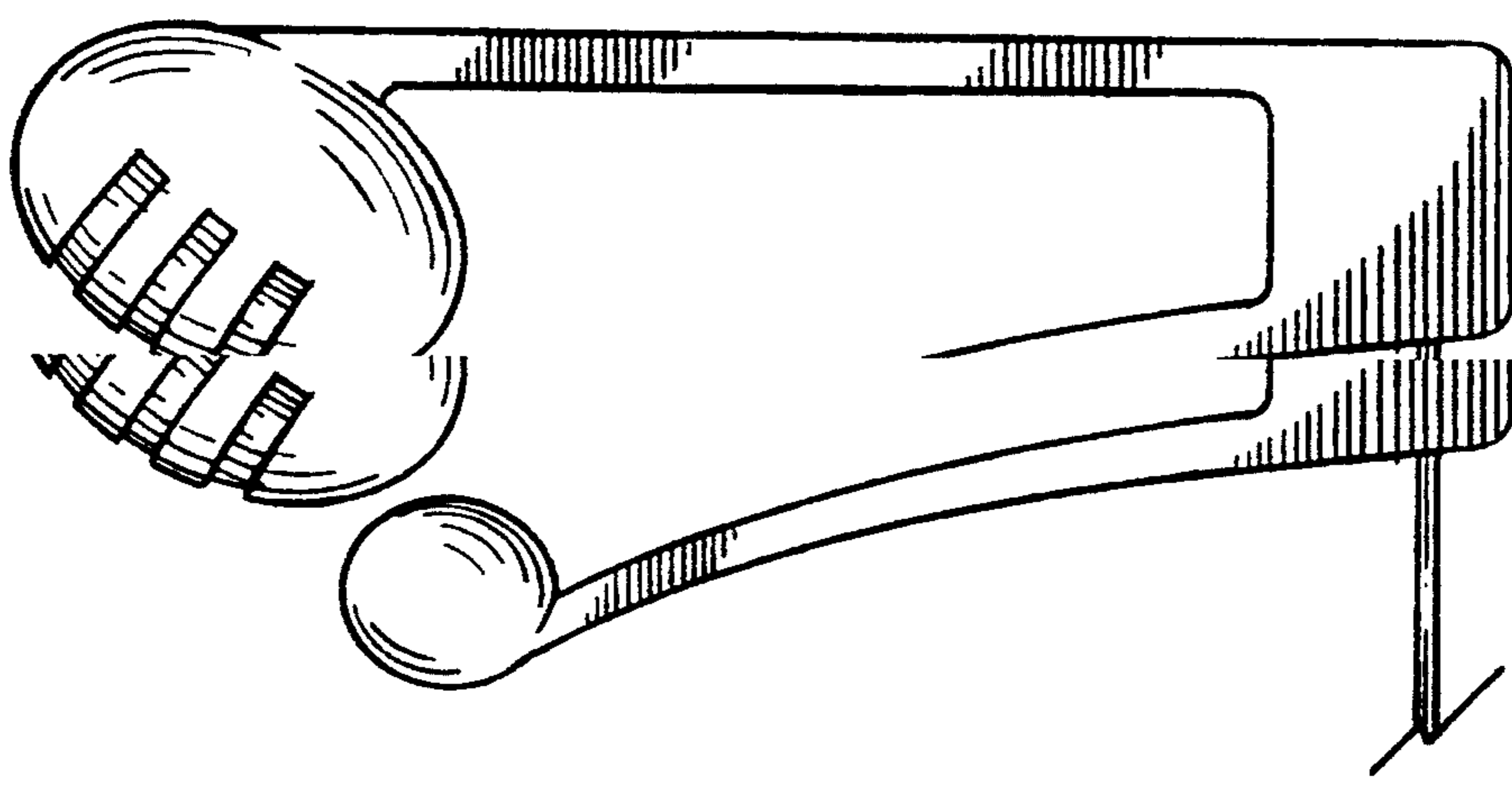


FIG. 2.

