



US00D350754S

United States Patent [19]

Sasago

[11] Patent Number: Des. 350,754

[45] Date of Patent: ** Sep. 20, 1994

[54] DIGITAL AUDIO DISC PLAYER COMBINED WITH TUNER, EQUALIZER AMPLIFIER AND TAPE RECORDER

[75] Inventor: Osamu Sasago, Tokyo, Japan

[73] Assignee: Sony Corporation, Tokyo, Japan

[**] Term: 14 Years

[21] Appl. No.: 14,243

[22] Filed: Oct. 18, 1993

[30] Foreign Application Priority Data

Apr. 27, 1993 [JP] Japan 5-12529

[52] U.S. Cl. D14/168

[58] Field of Search 455/344, 347-351; D14/124, 160-168, 188-190, 192-198, 217, 257, 260, 299

[56] References Cited

U.S. PATENT DOCUMENTS

D. 310,837	9/1990	Takimoto	D14/168
D. 327,682	7/1992	Shimazu	D14/168
D. 327,684	7/1992	Totsuka	D14/168
D. 330,202	10/1992	Adiwono	D14/168
D. 343,393	1/1994	Ito et al.	D14/168

OTHER PUBLICATIONS

Damark Catalog, Oct. 1992, p. 23, Top-CD Boombox. Crutchfield Catalog, Summer 1991, p. 79, Center-De-non G-05 and Pioneer CCS-430 Stereo systems.

Primary Examiner—Theodore M. Shooman
Attorney, Agent, or Firm—Lewis H. Esligner; Jay H. Maioli

[57] CLAIM

The ornamental design for a digital audio disc player combined with tuner, equalizer, amplifier and tape recorder, as shown and described.

DESCRIPTION

FIG. 1 is a top, front and right-side perspective view of a digital audio disc player combined with tuner, equalizer, amplifier and tape recorder, showing my new design;

FIG. 2 is a top, front and right-side perspective view thereof, shown in the opened condition;

FIG. 3 is a front elevational view thereof;

FIG. 4 is a rear elevational view thereof;

FIG. 5 is a left-side elevational view thereof;

FIG. 6 is a right-side elevational view thereof;

FIG. 7 is a top plan view thereof; and,

FIG. 8 is a bottom plan view thereof.

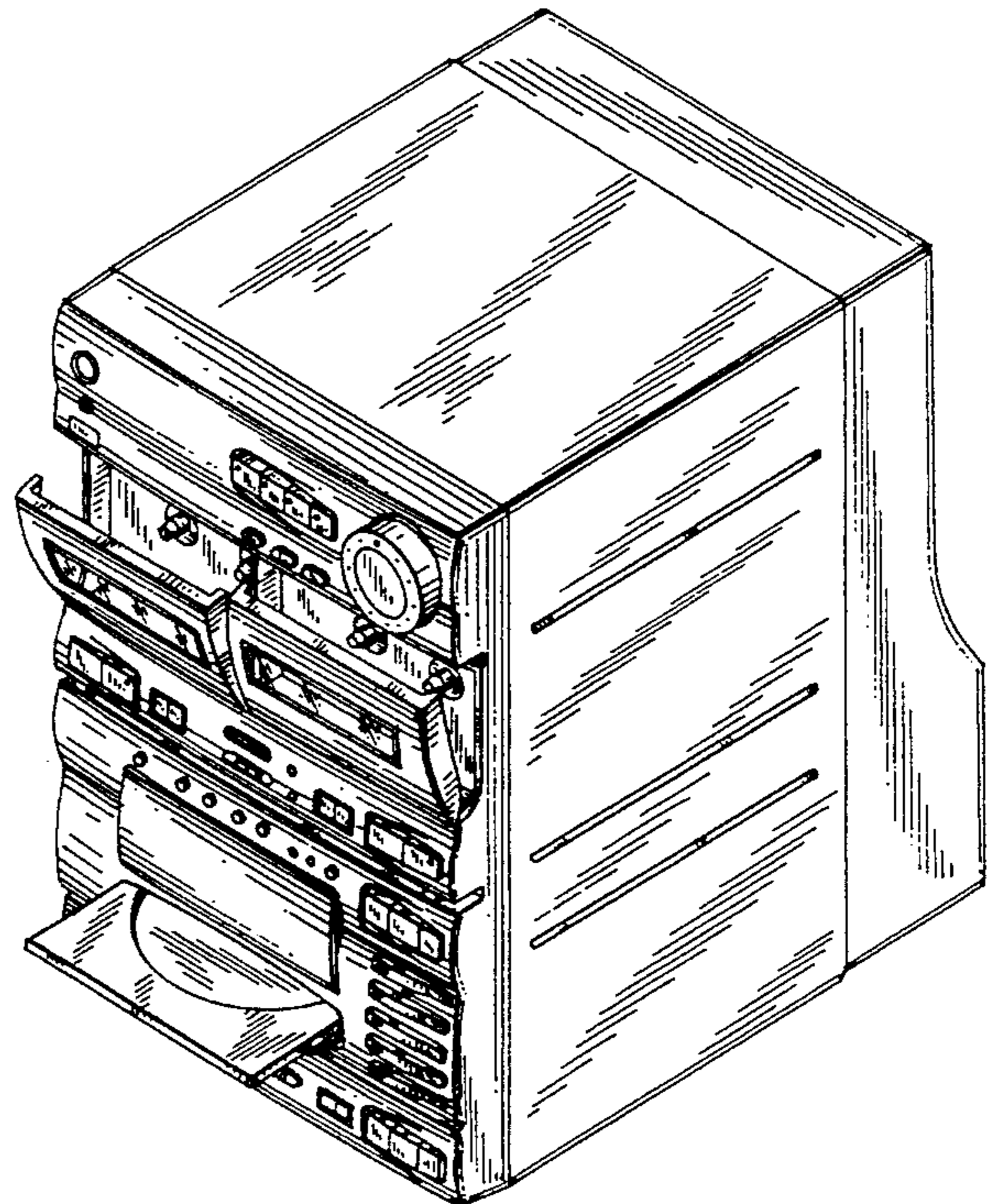
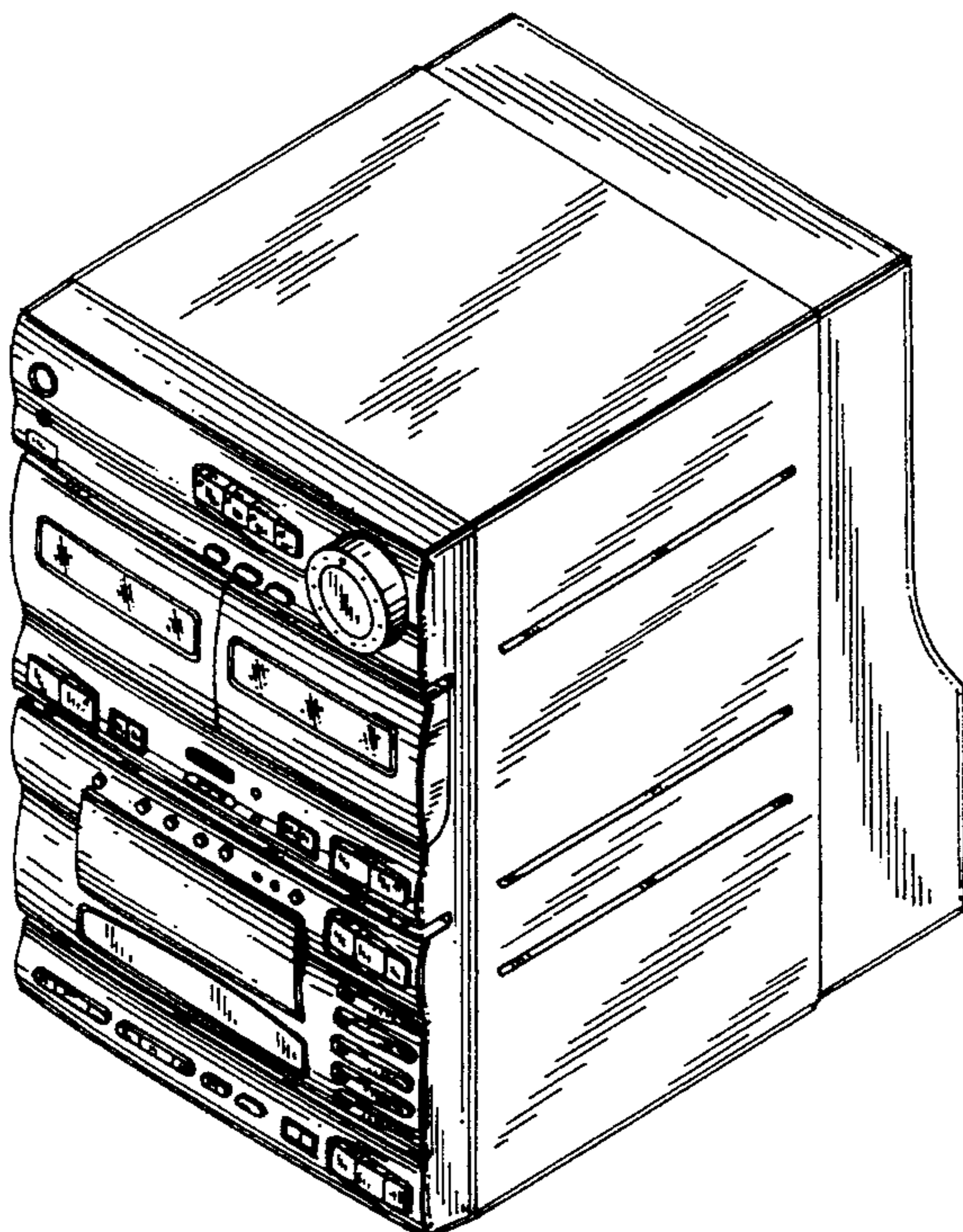


FIG. 1

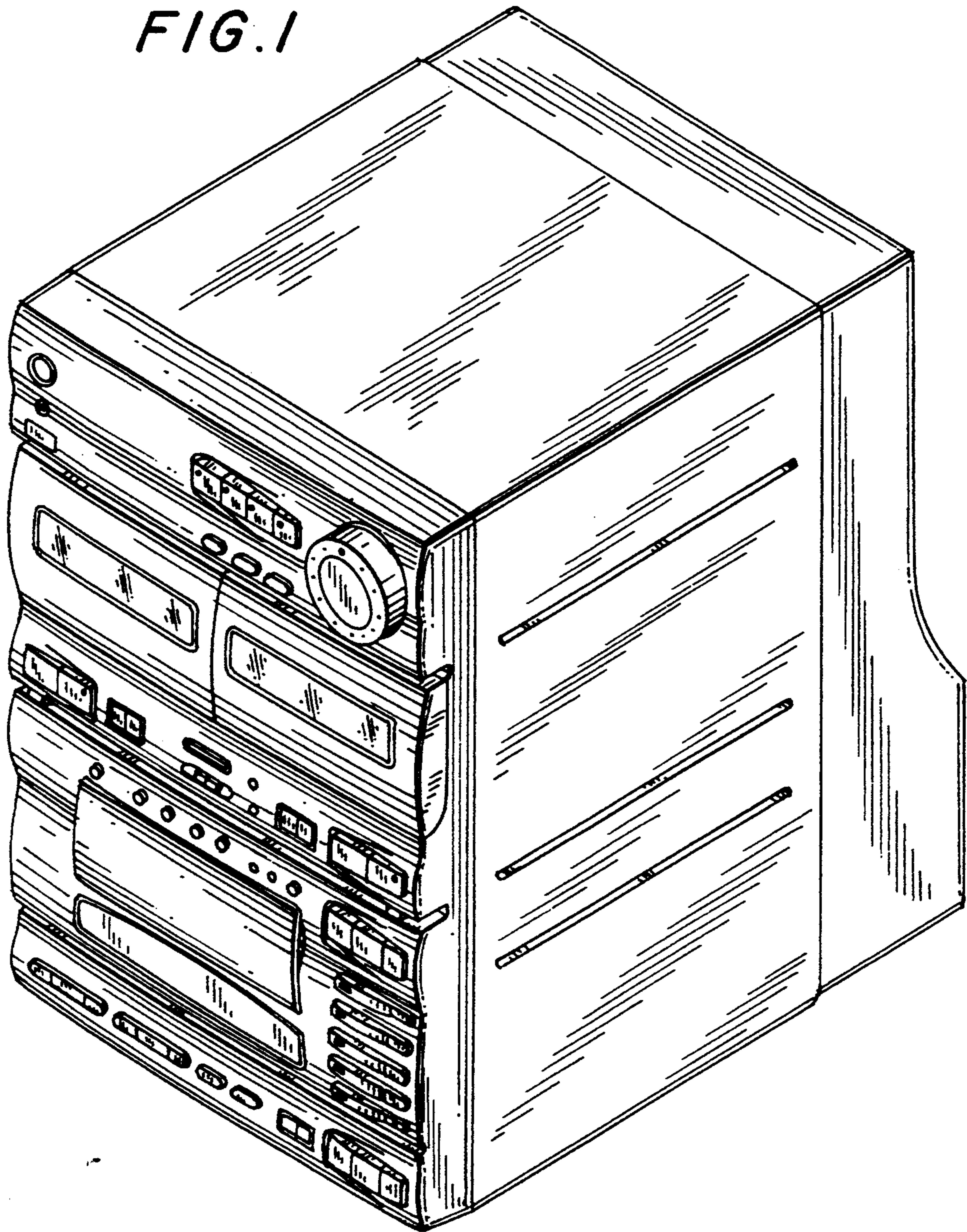


FIG. 2

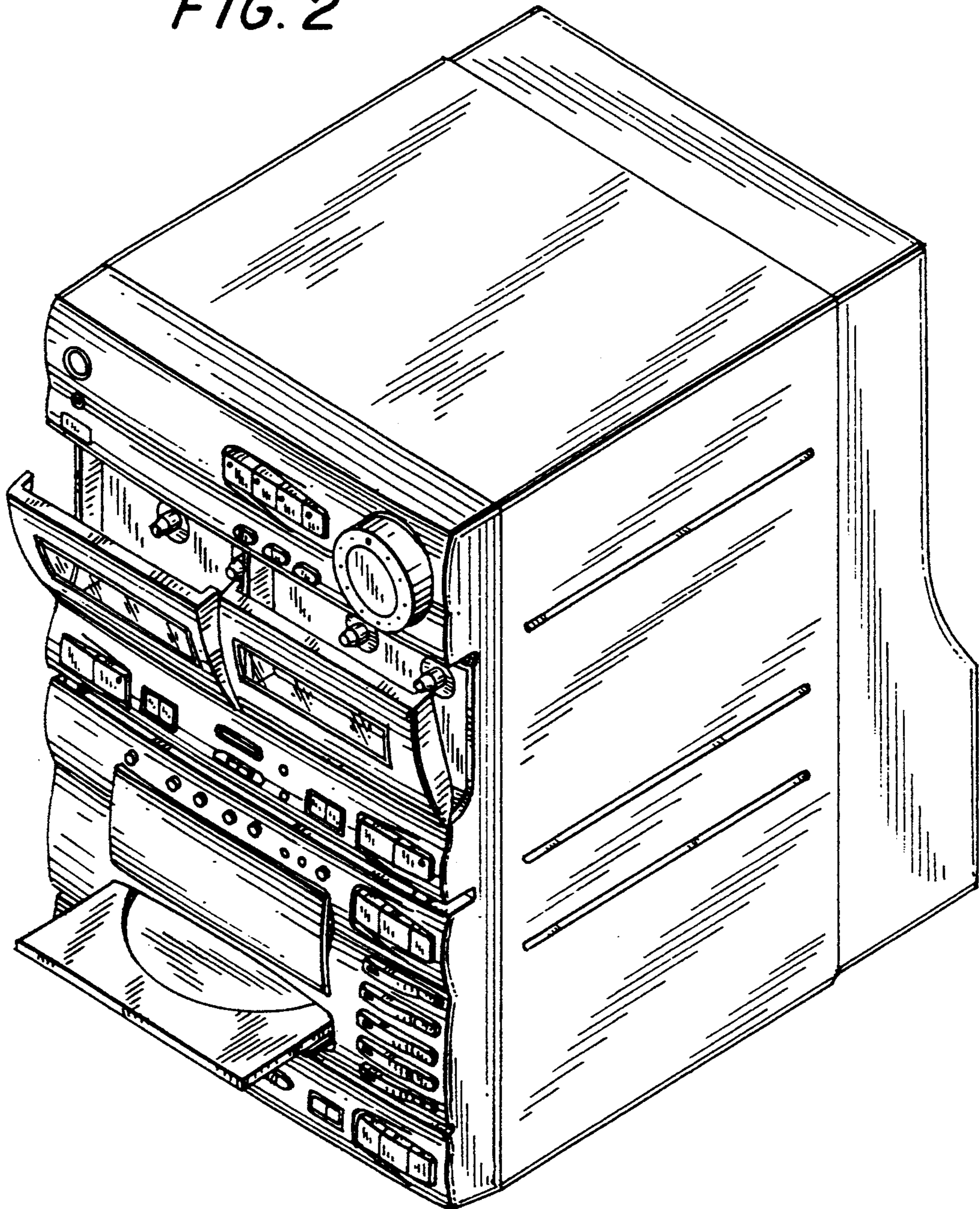


FIG. 4

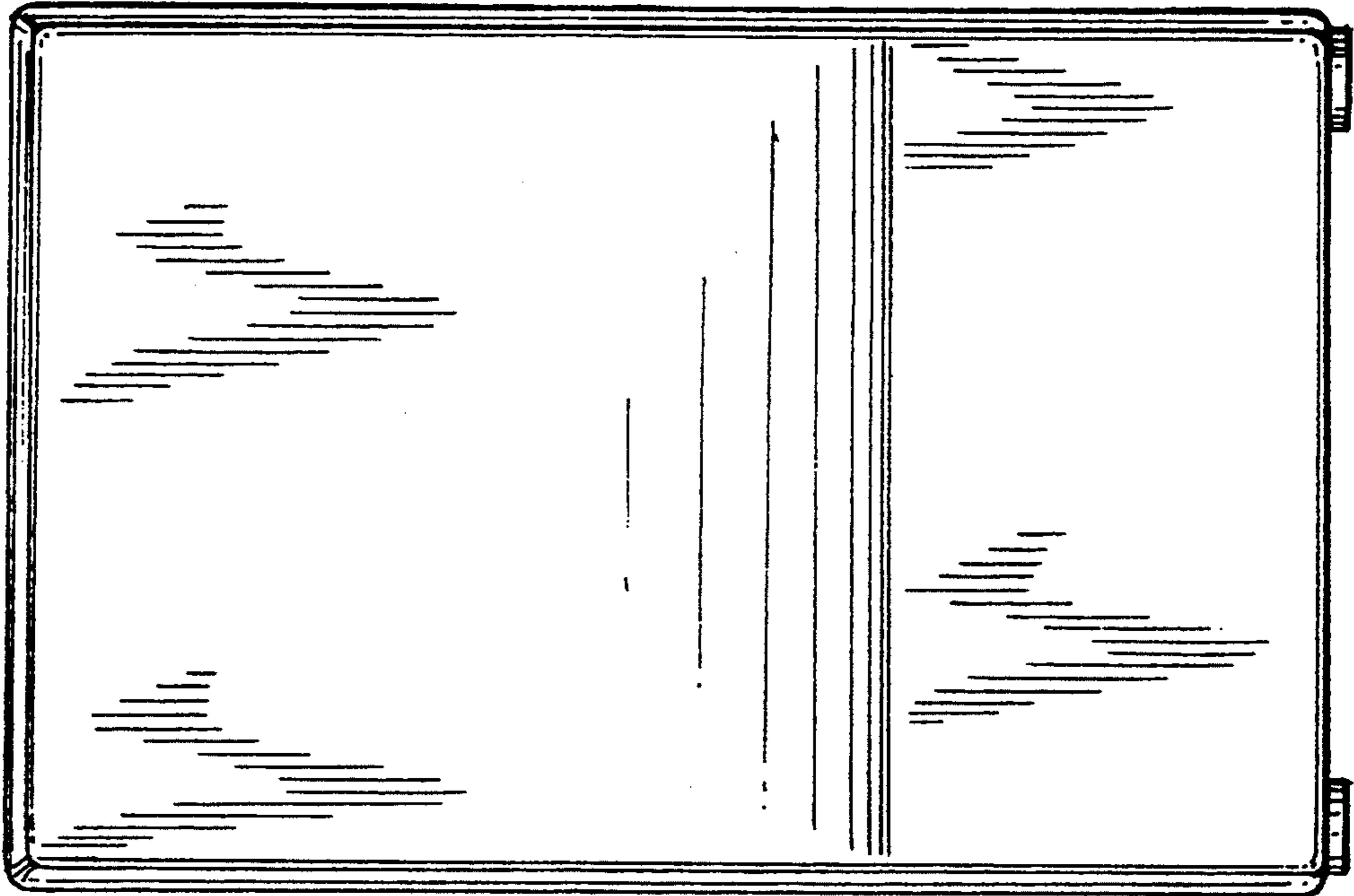


FIG. 3

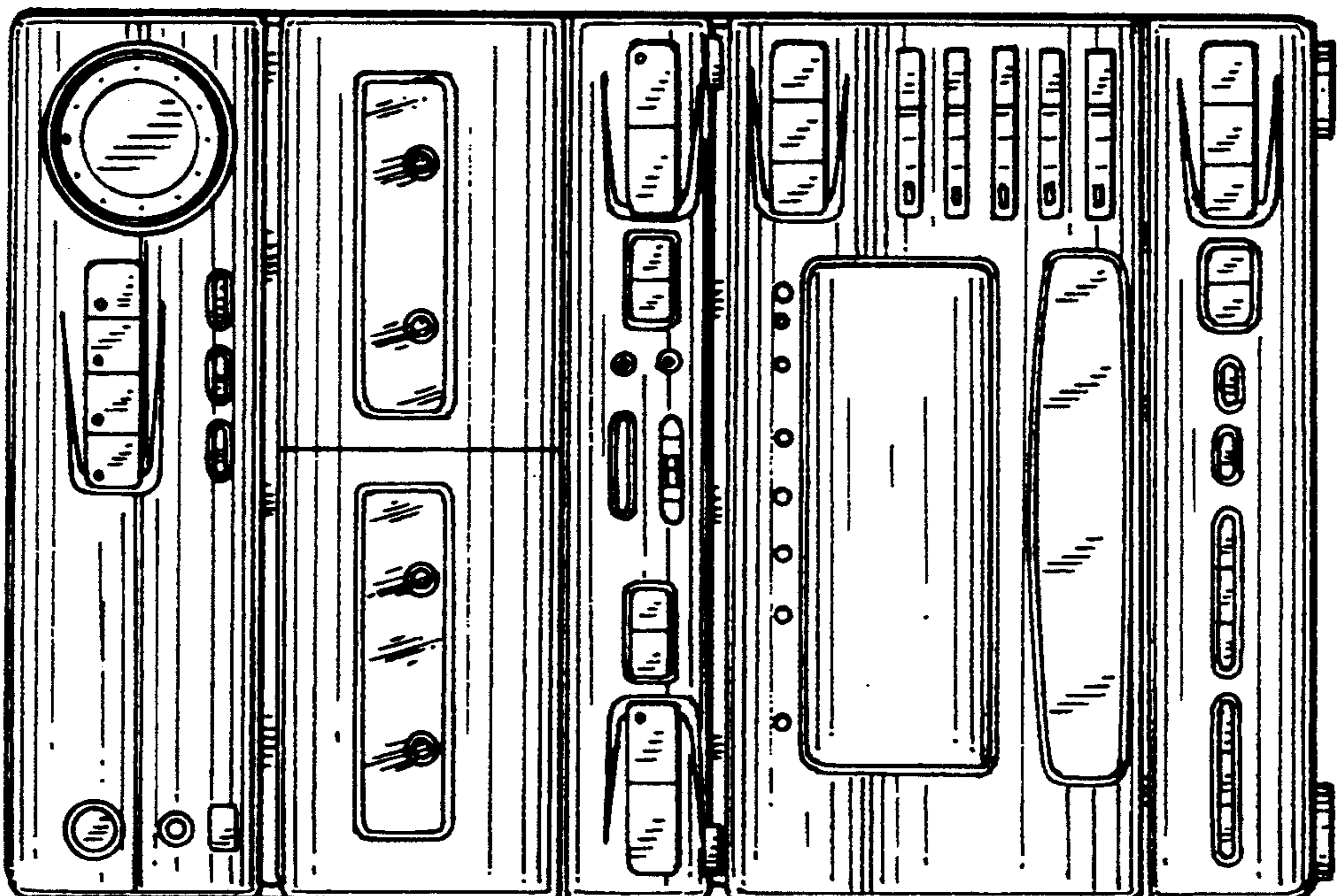


FIG. 6

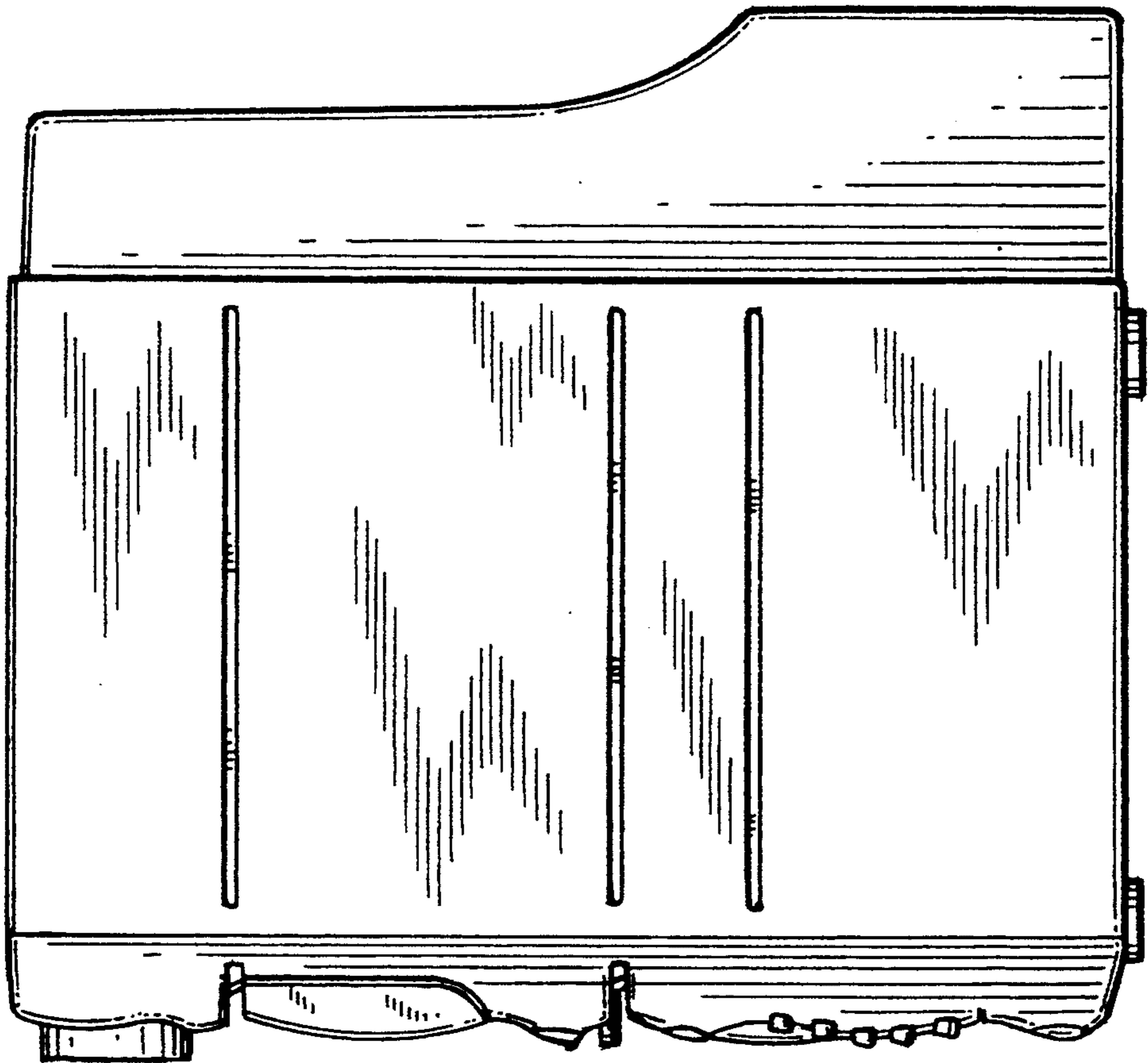
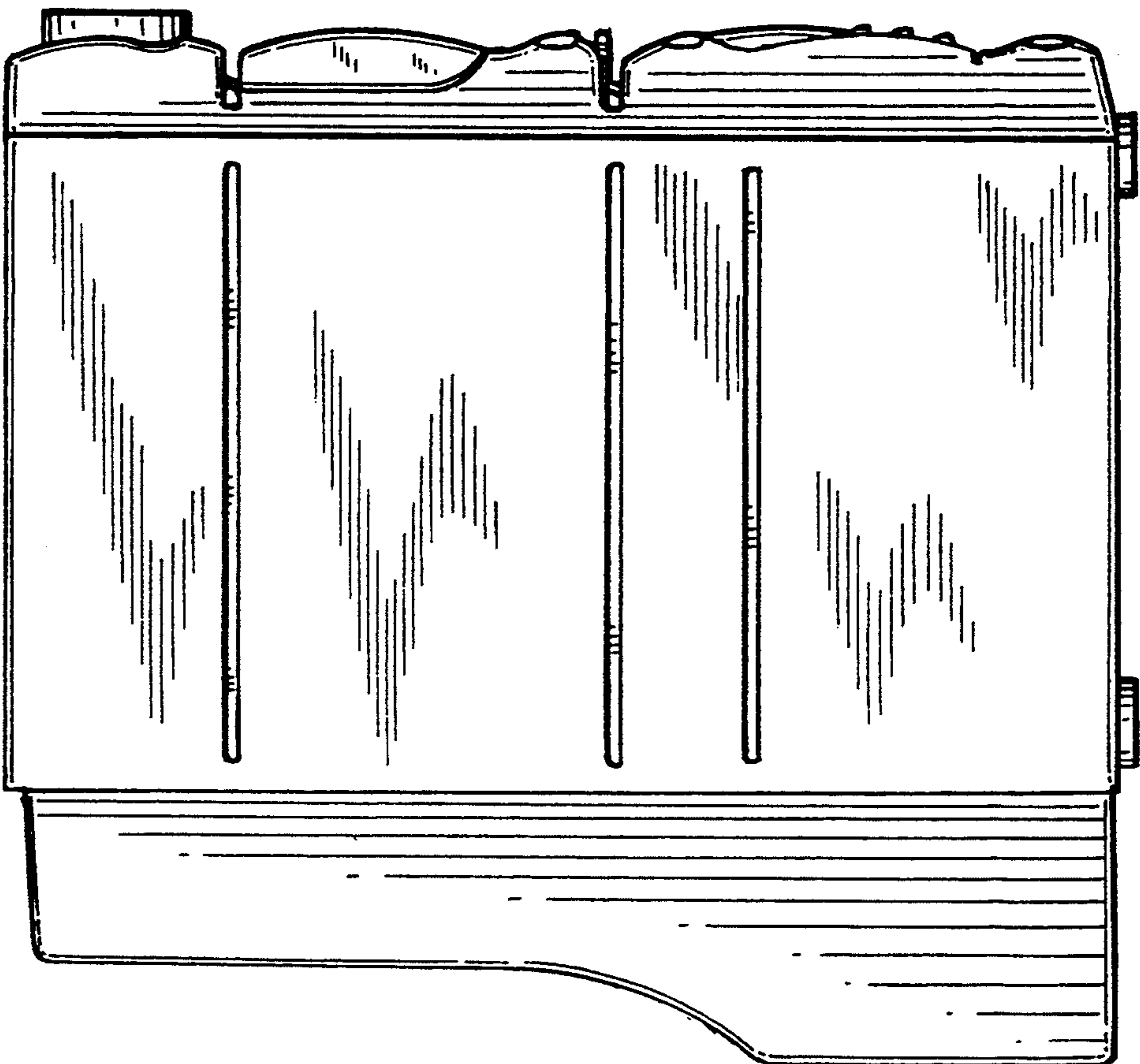


FIG. 5



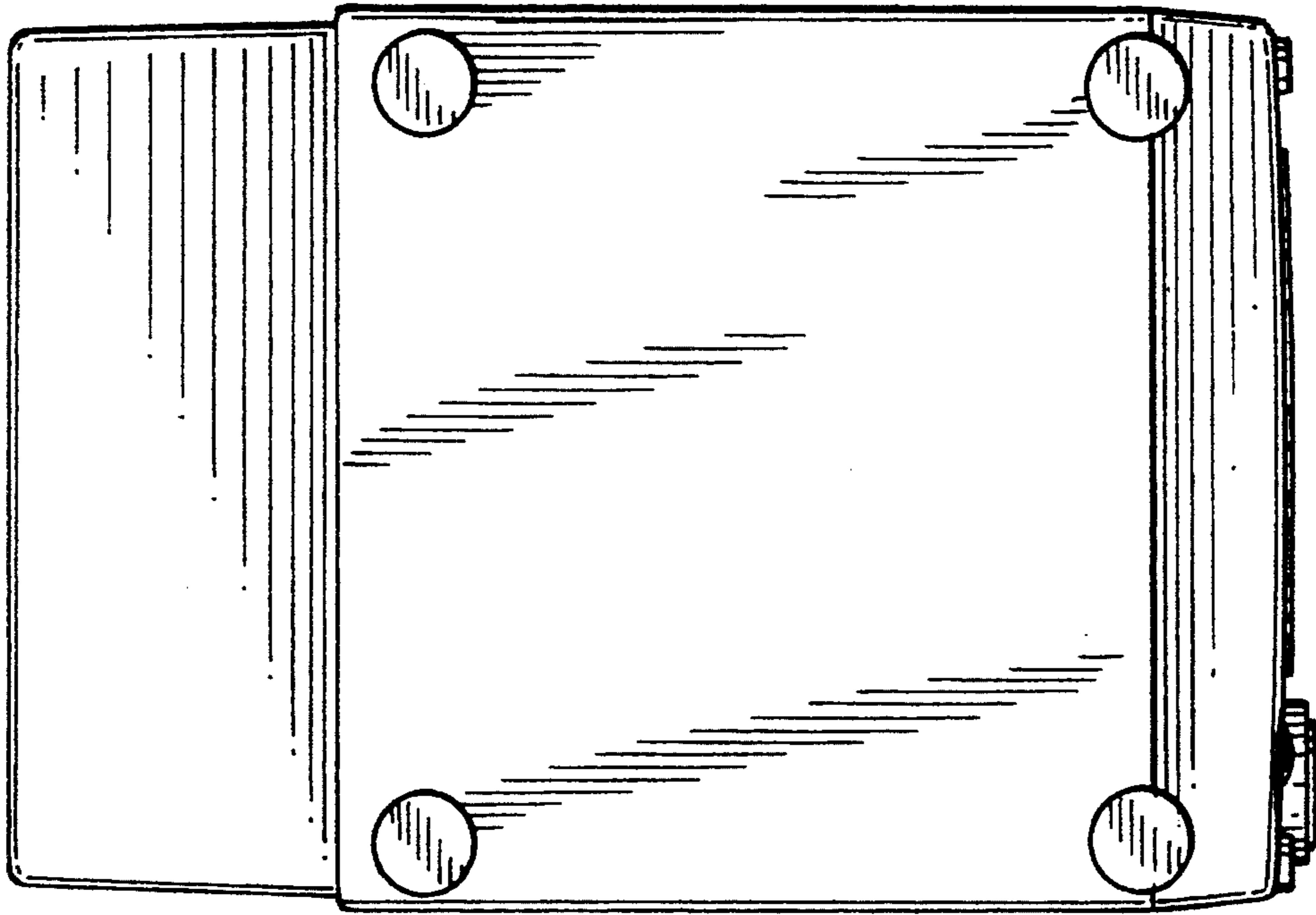


FIG. 8

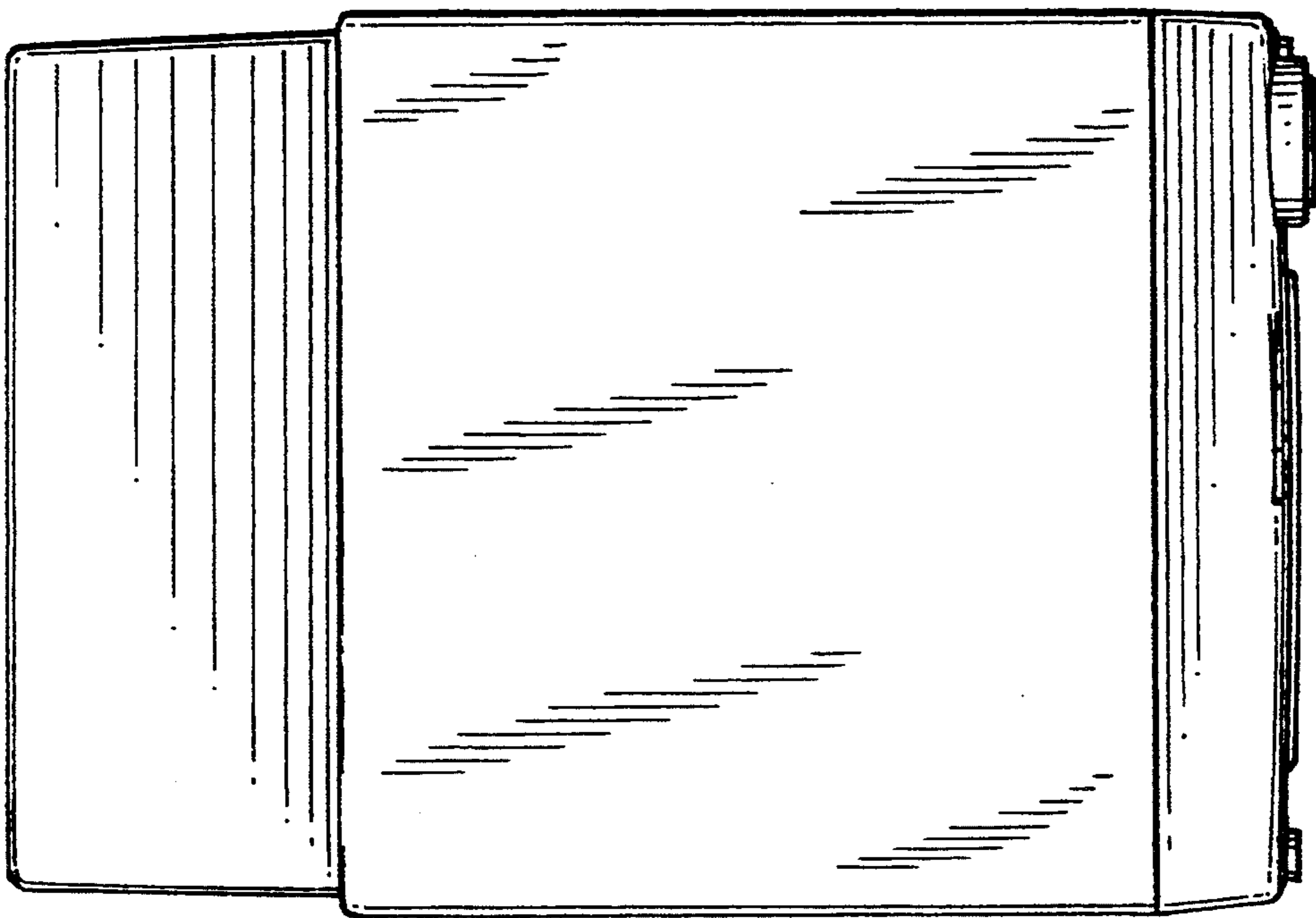


FIG. 7