



US00D350753S

United States Patent [19] Oka

[11] Patent Number: Des. 350,753

[45] Date of Patent: ** Sep. 20, 1994

[54] **DIGITAL AUDIO DISC PLAYER COMBINED WITH A RADIO TUNER AND A TAPE RECORDER**

[75] Inventor: **Hiroki Oka**, Tokyo, Japan

[73] Assignee: **Sony Corporation**, Tokyo, Japan

[**] Term: **14 Years**

[21] Appl. No.: **915,185**

[22] Filed: **Jul. 20, 1992**

[30] **Foreign Application Priority Data**

Jan. 21, 1992 [JP] Japan 4-1205

[52] U.S. Cl. **D14/168; D14/156; D14/188; D14/165**

[58] Field of Search 455/344, 347-351; D14/124, 160-168, 188-190, 192-198, 217, 257, 260, 299, 156

[56] **References Cited**

U.S. PATENT DOCUMENTS

- D. 318,863 8/1991 Mori D14/163
- D. 329,856 9/1992 Tamaki D14/168
- D. 333,821 3/1993 Takimoto D14/168
- D. 334,189 3/1993 Takimoto D14/168 X

OTHER PUBLICATIONS

HFD, Apr. 21, 1986, p. 157, Top—Sharpe model WQ-T282 cassette recorder.

Primary Examiner—Theodore M. Shooman
Attorney, Agent, or Firm—Lewis H. Eslinger; Jay H. Maioli

[57] **CLAIM**

The ornamental design for a digital audio disc player combined with a radio tuner and a tape recorder, as shown and described.

DESCRIPTION

FIG. 1 is a top view showing my new design;
 FIG. 2 is a left-side view thereof;
 FIG. 3 is a front view thereof;
 FIG. 4 is a right-side view thereof;
 FIG. 5 is a back view thereof;
 FIG. 6 is a bottom view thereof;
 FIG. 7 is a perspective view thereof;
 FIG. 8 is a perspective view showing aerial extended thereof;
 FIG. 9 is a perspective view in the open position thereof;
 FIG. 10 is a front view with the transparent part shown in gray thereof; and,
 FIG. 11 is a front view of my design being shown in the operating condition.

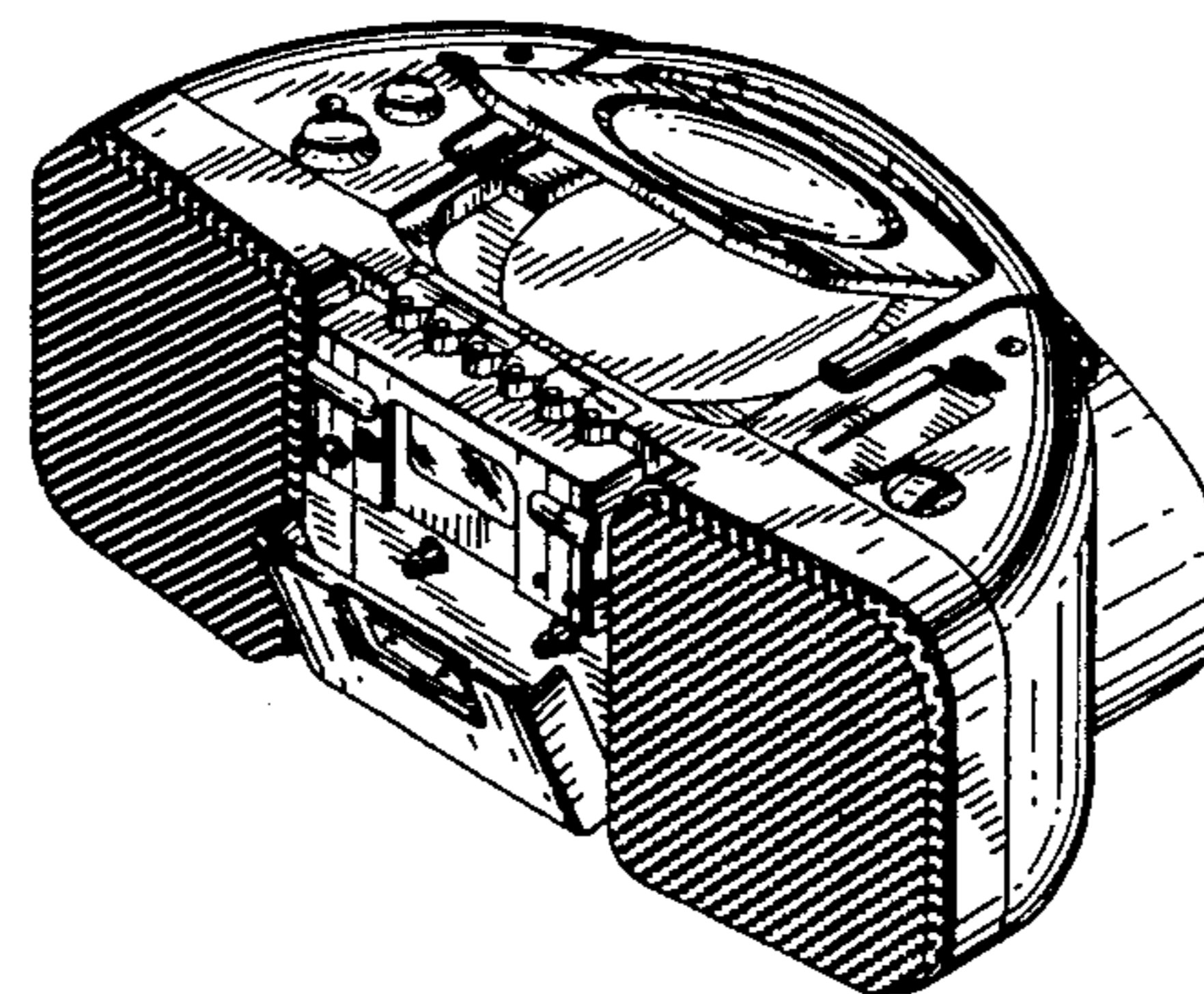
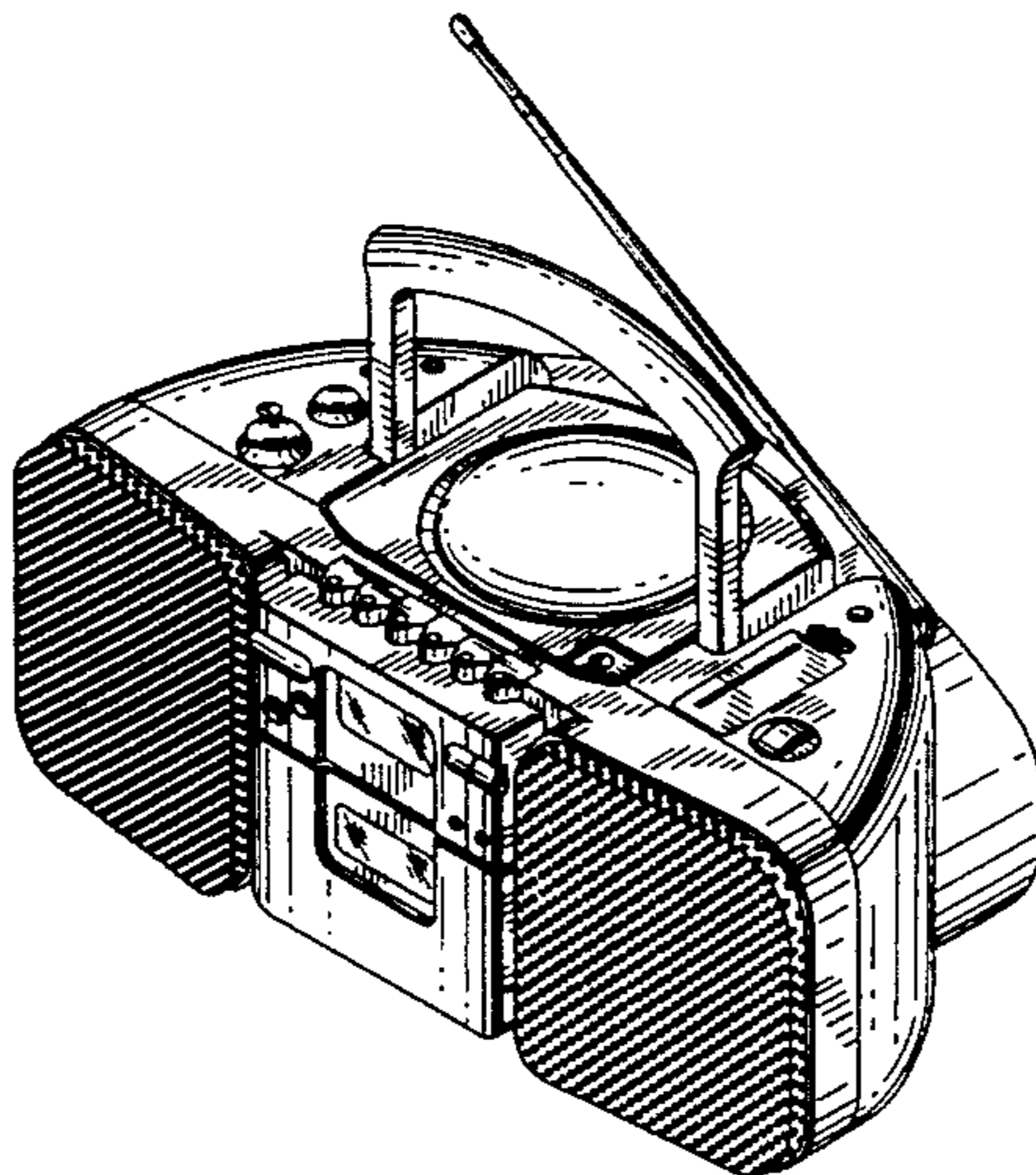


FIG. 1

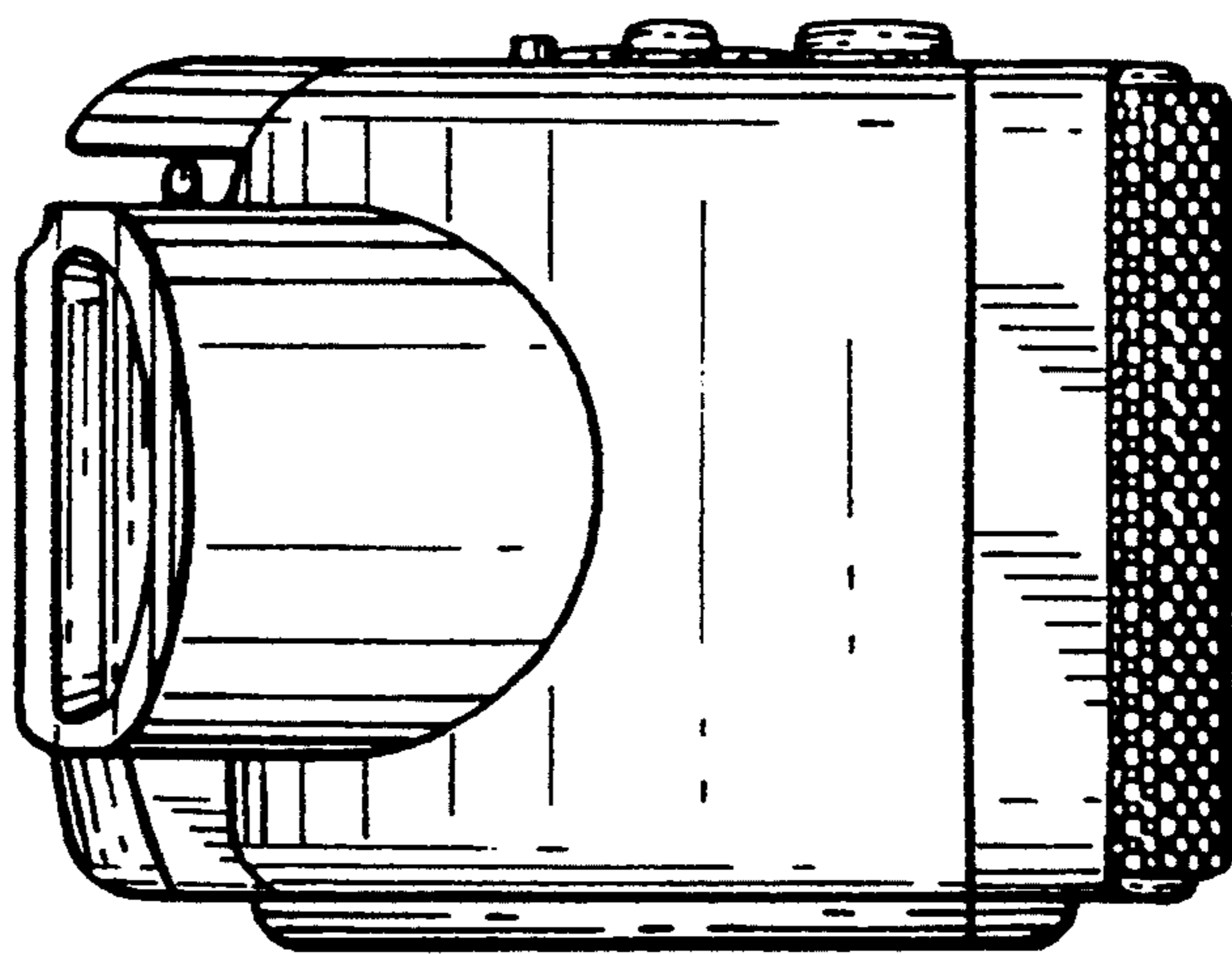
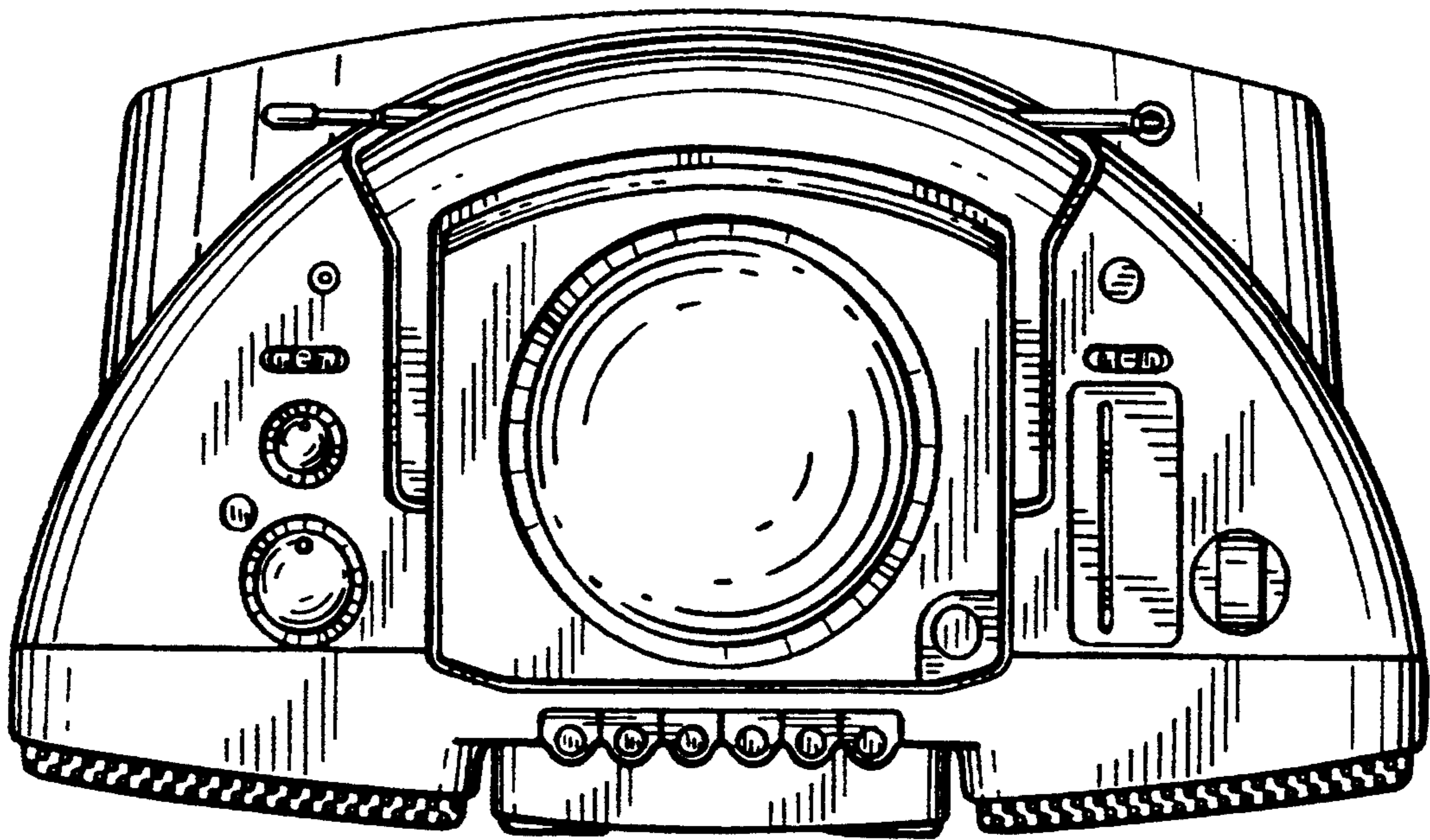


FIG. 2

FIG. 3

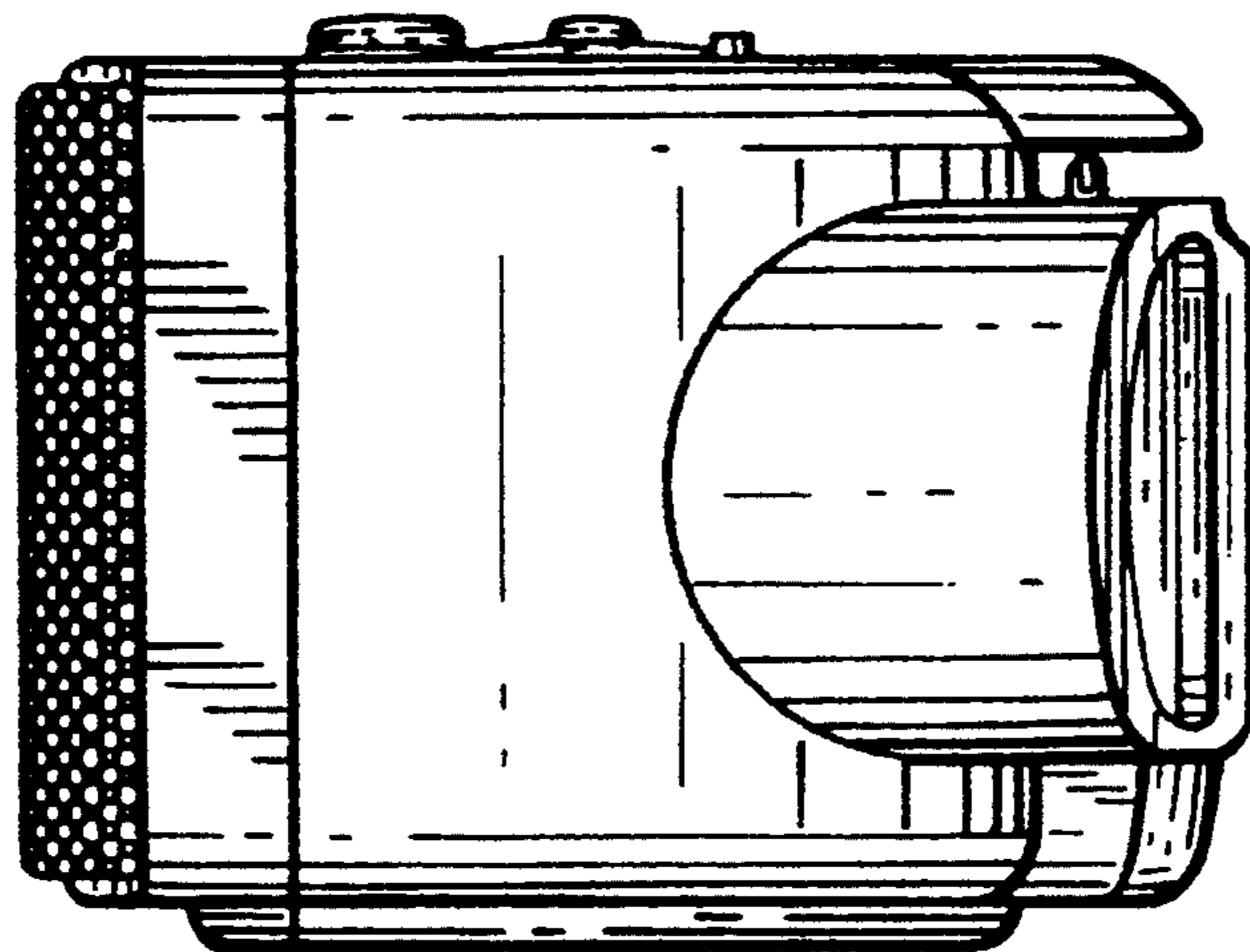
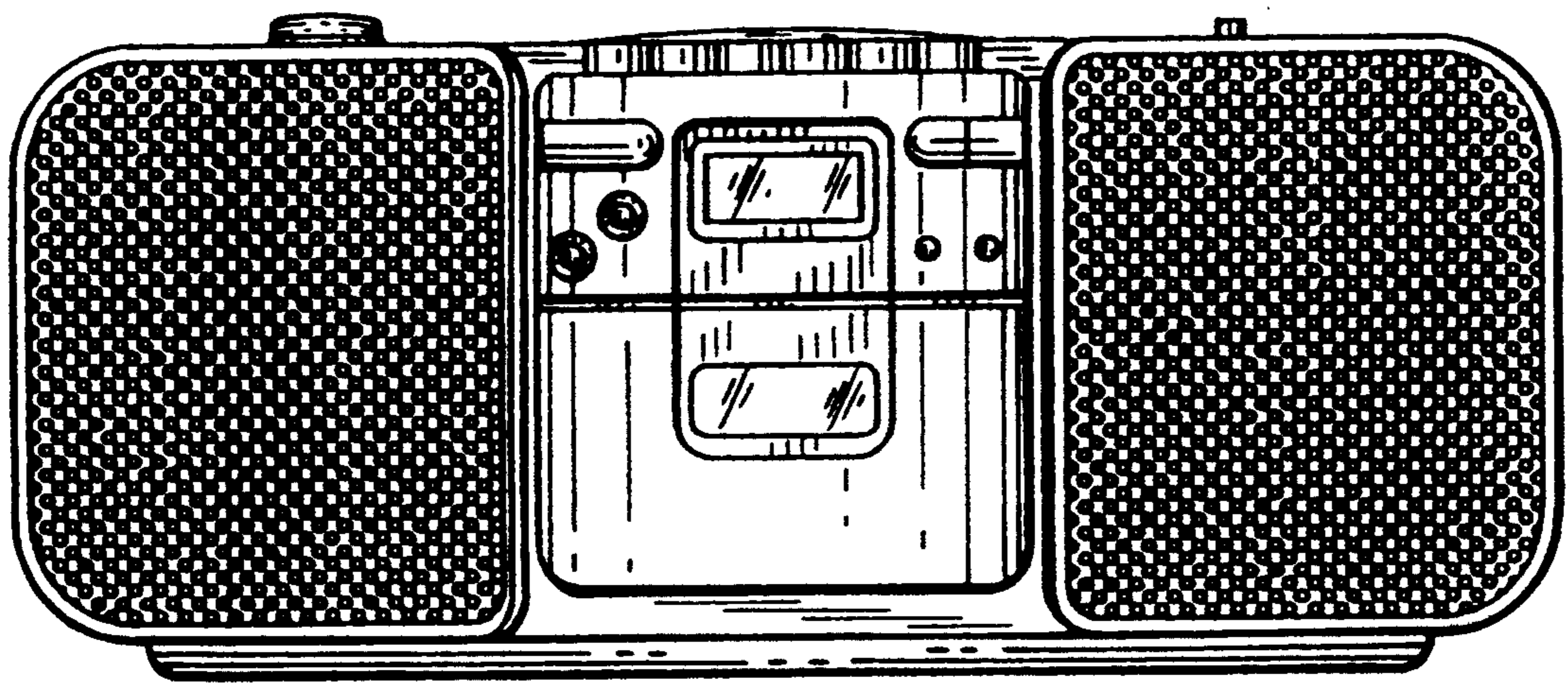


FIG. 4

FIG.5

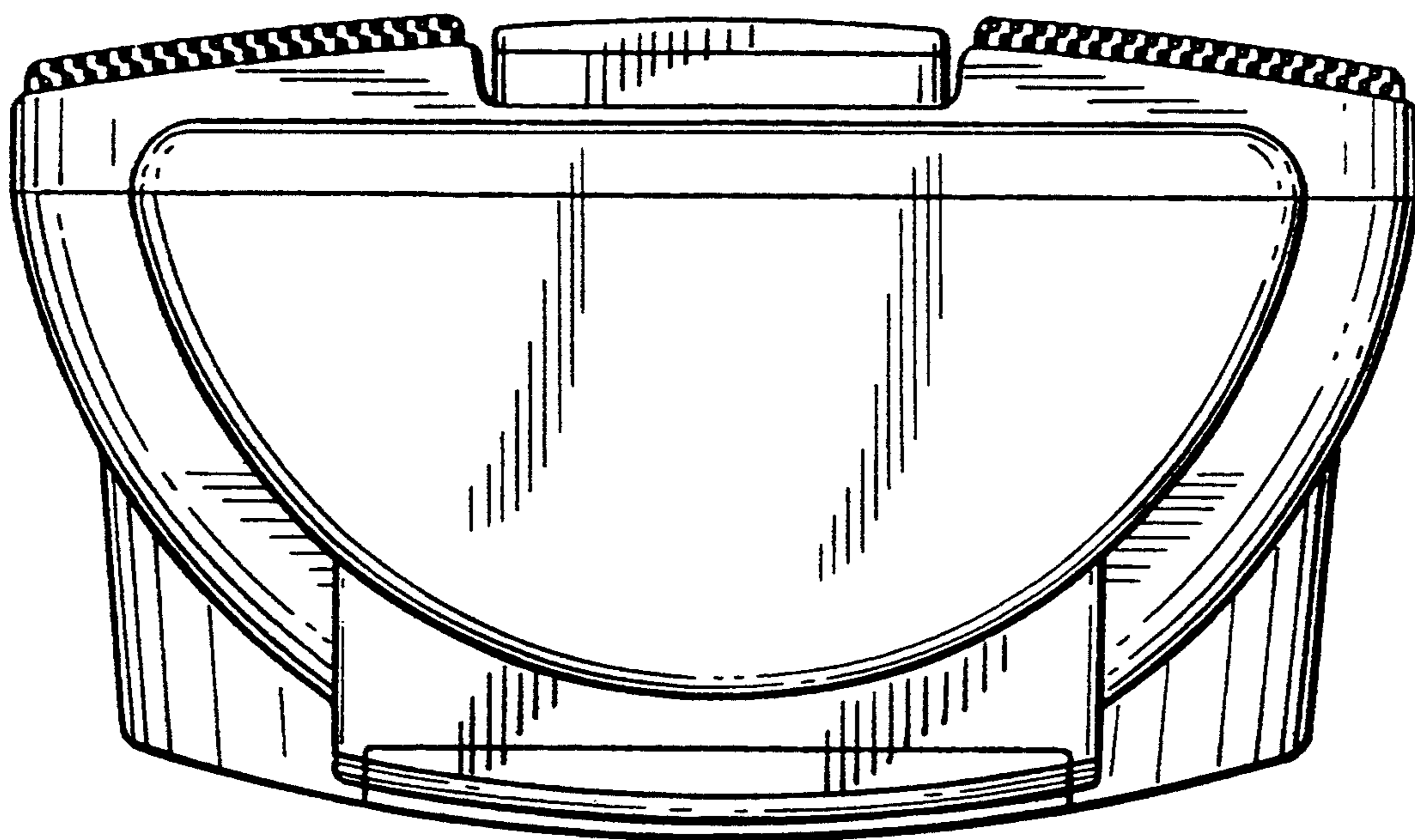
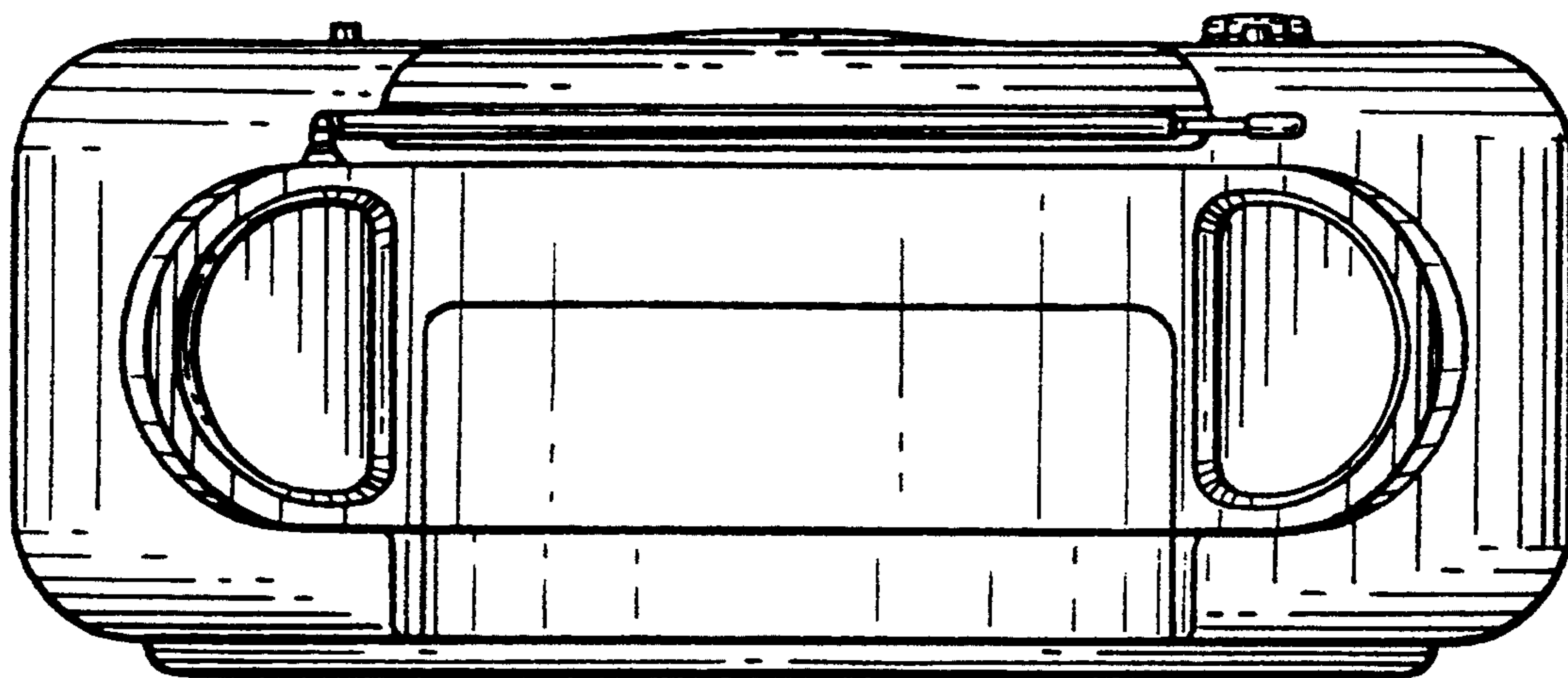
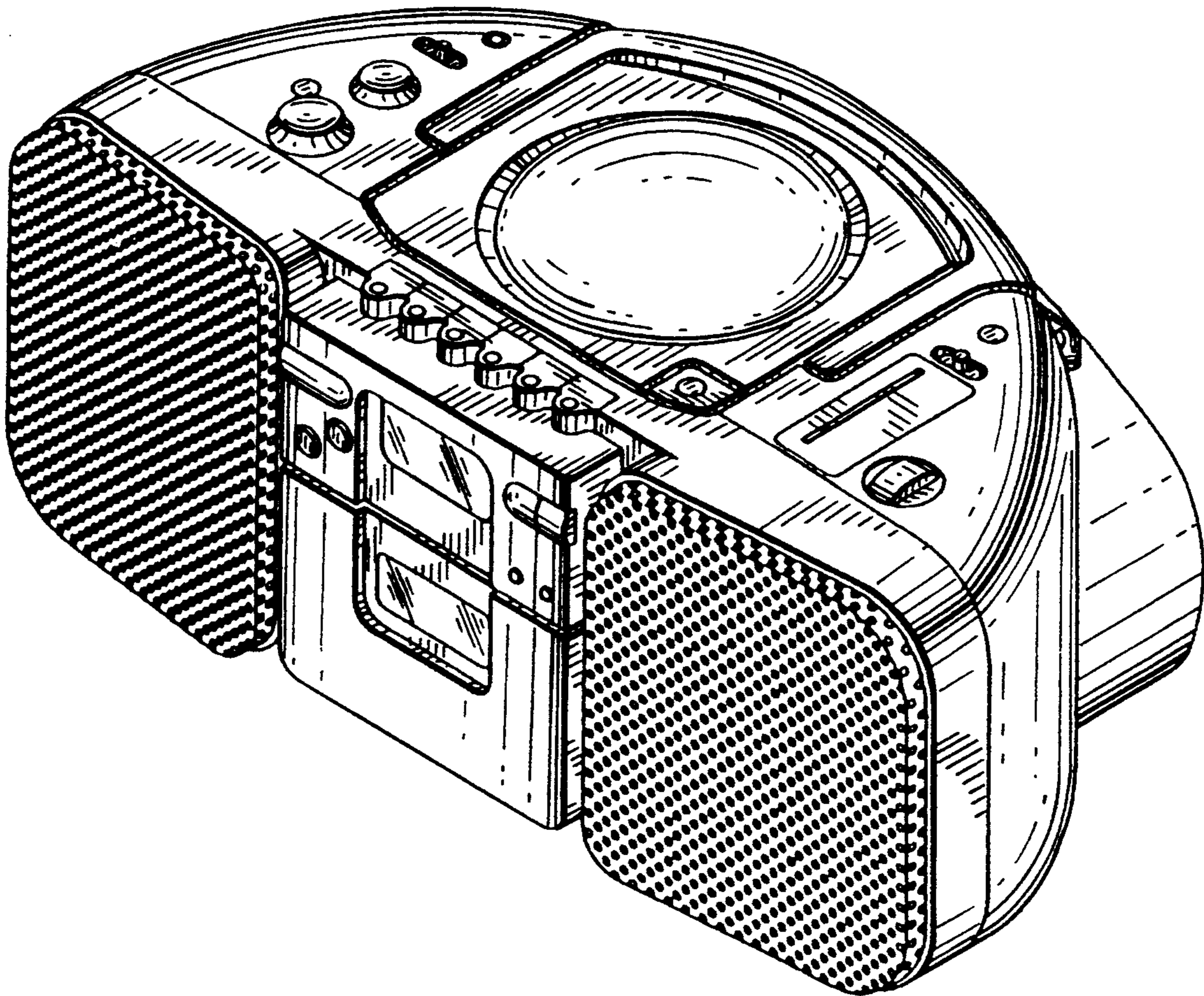


FIG.6

FIG. 7



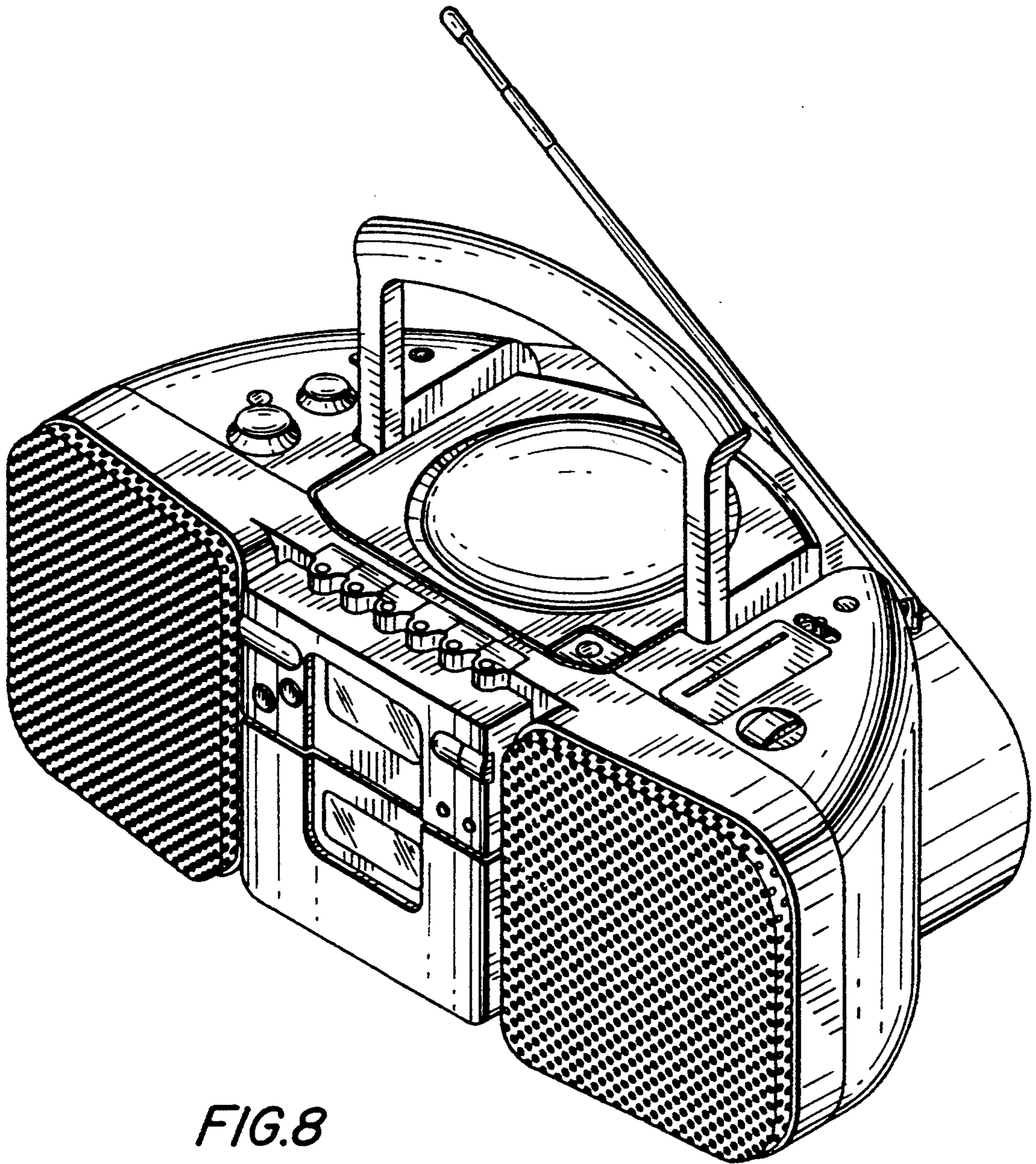


FIG.8

FIG. 9

