



US00D350741S

# United States Patent [19]

[11] Patent Number: **Des. 350,741**

Chen

[45] Date of Patent: **\*\* Sep. 20, 1994**

[54] **COMBINED FACSIMILE, TELEPHONE ANSWERING MACHINE AND MODEM**

[76] Inventor: **Ching-Song Chen**, No. 13, Alley 65, Lane 59, Nan-Men Rd., Taichung City, Taiwan

[\*\*] Term: **14 Years**

[21] Appl. No.: **6,117**

[22] Filed: **Feb. 9, 1993**

[52] U.S. Cl. .... **D14/118; D14/107; D14/141; D14/242**

[58] **Field of Search** ..... 379/67, 90, 93, 419, 379/420, 423, 440, 441; 358/400, 401; 361/641, 658, 673, 671, 724, 728, 730, 825; D14/100, 107, 114, 118, 156, 165, 140, 141, 142, 144, 149-151, 240, 242; D18/7, 36, 37; D13/184, 164

[56] **References Cited**

**U.S. PATENT DOCUMENTS**

- D. 293,241 12/1987 Wan et al. .... D18/7 X
- D. 303,252 9/1989 Shim ..... D14/107
- D. 311,184 10/1990 Appleby ..... D14/141
- D. 320,599 10/1991 Ocepek ..... D14/141
- D. 320,789 10/1991 Sogabe ..... D14/156

- D. 321,687 11/1991 Miyai ..... D14/165
- D. 325,728 4/1992 Mayo et al. .... D18/7 X
- D. 329,231 9/1992 Lee ..... D14/156
- D. 331,394 12/1992 Kobayashi et al. .... D14/107
- D. 331,924 12/1992 Sawada et al. .... D14/118
- D. 339,576 9/1993 Sawada et al. .... D14/118

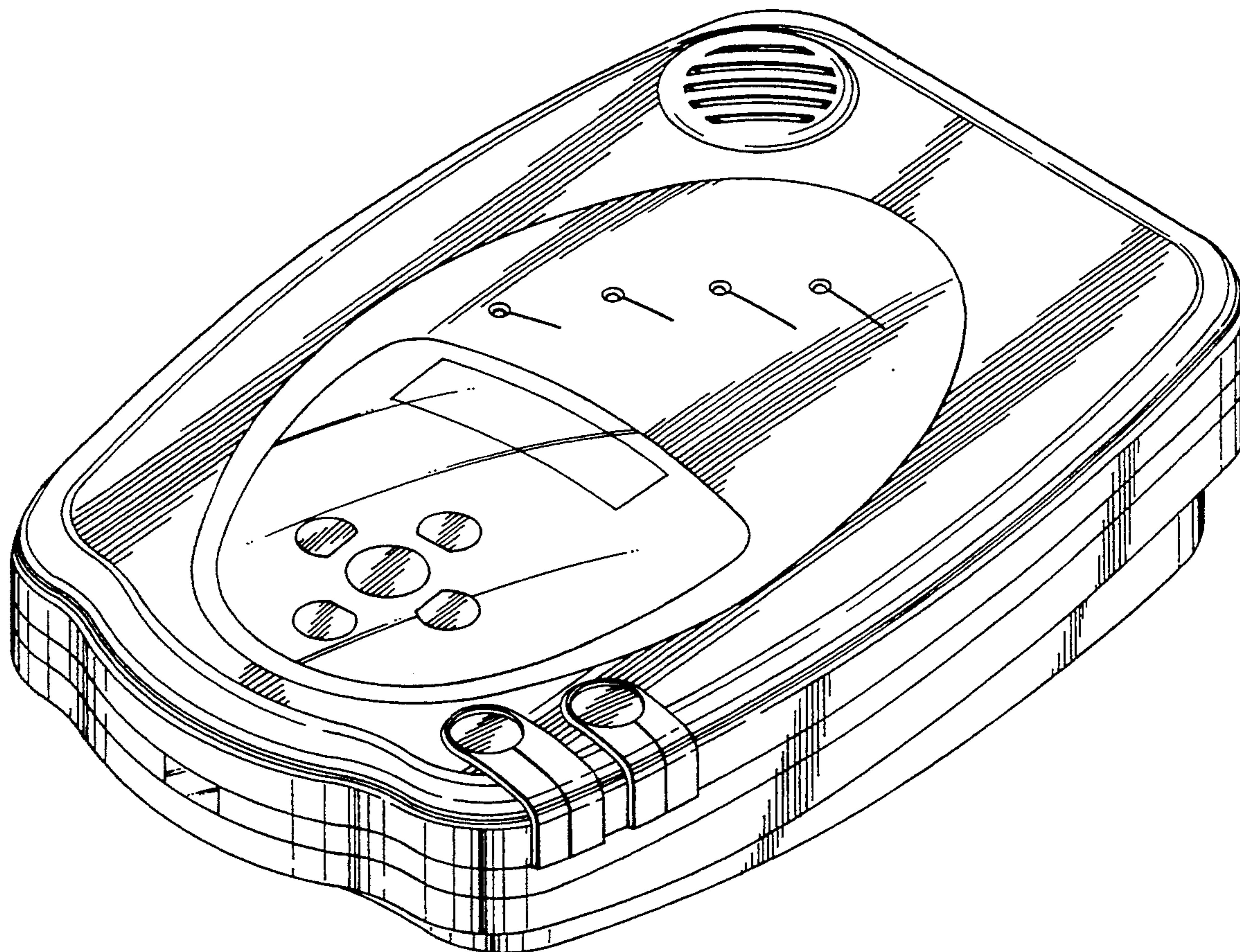
*Primary Examiner*—Alan P. Douglas  
*Assistant Examiner*—Jeffery Asch  
*Attorney, Agent, or Firm*—Oblon, Spivak, McClelland, Maier & Neustadt

[57] **CLAIM**

The ornamental design for combined facsimile machine, telephone answering machine and modem, as shown and described.

**DESCRIPTION**

FIG. 1 is a perspective view of combined facsimile, telephone answering machine and modem showing my new design;  
FIG. 2 is a front elevational view thereof;  
FIG. 3 is a rear elevational view thereof;  
FIG. 4 is a left side elevational view thereof;  
FIG. 5 is a right side elevational view thereof;  
FIG. 6 is a top plan view thereof; and,  
FIG. 7 is a bottom plan view thereof.



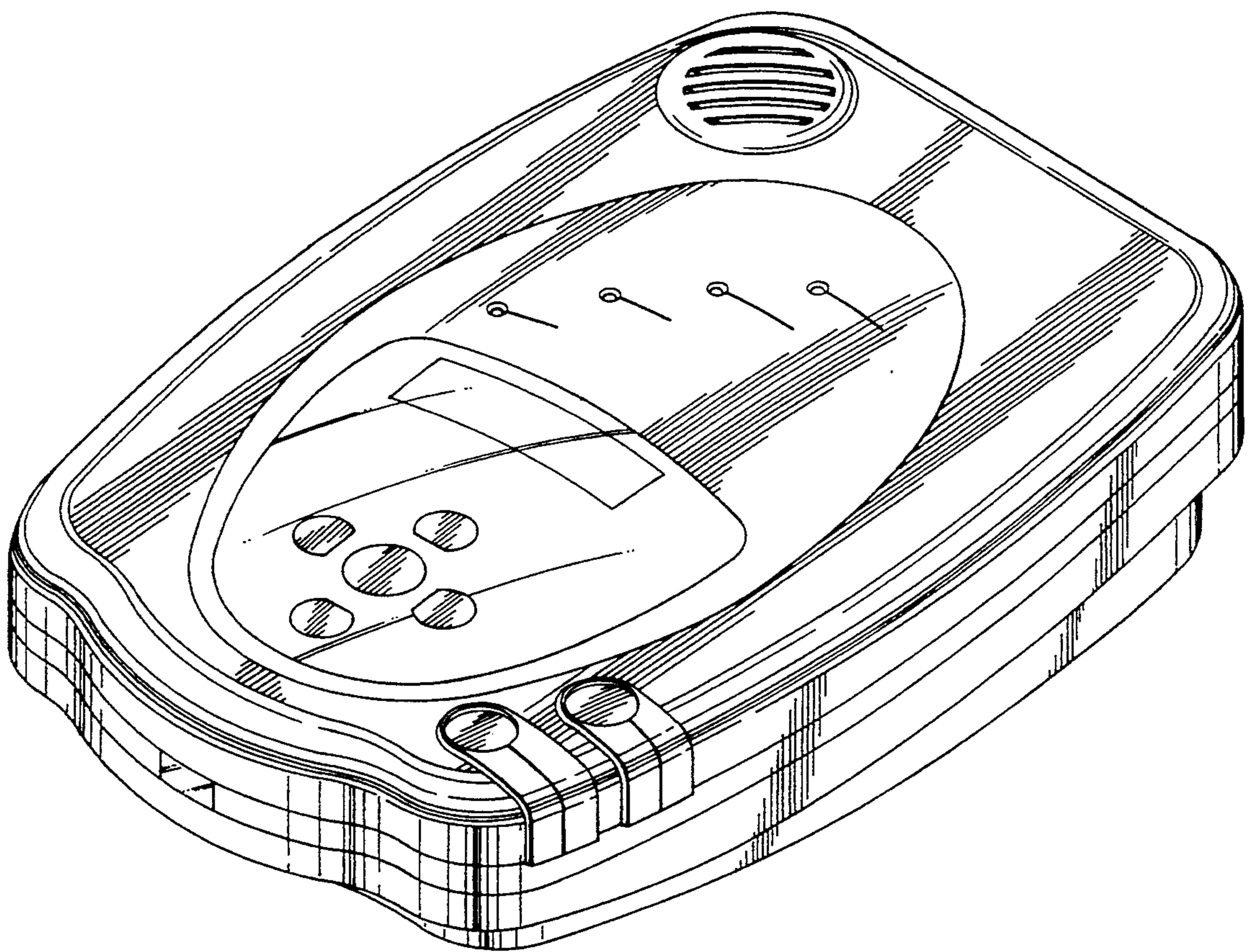


FIG. 1

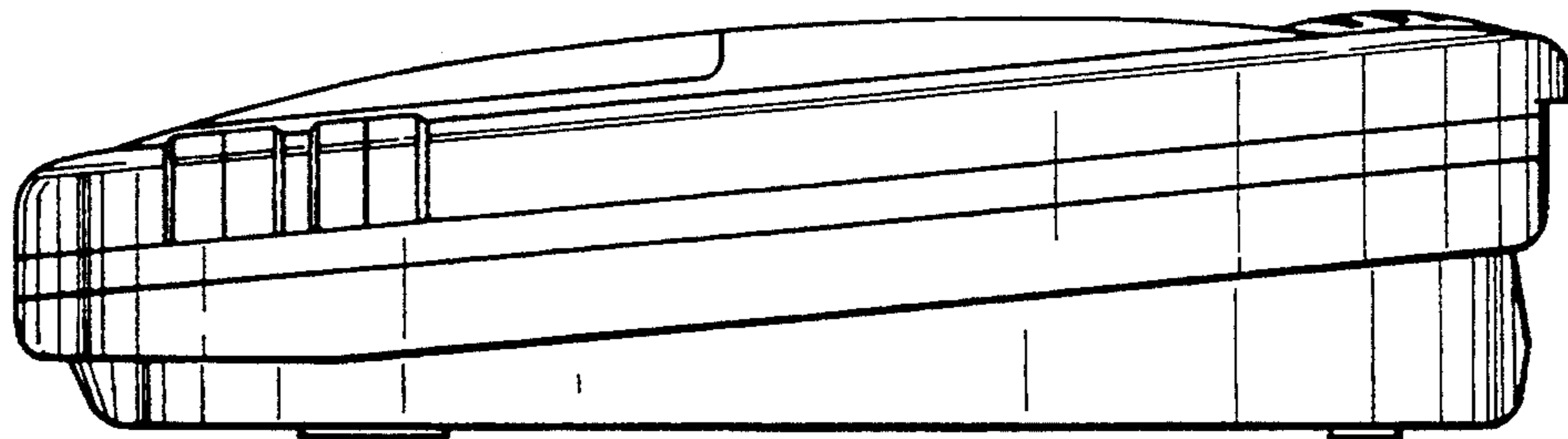


FIG. 2

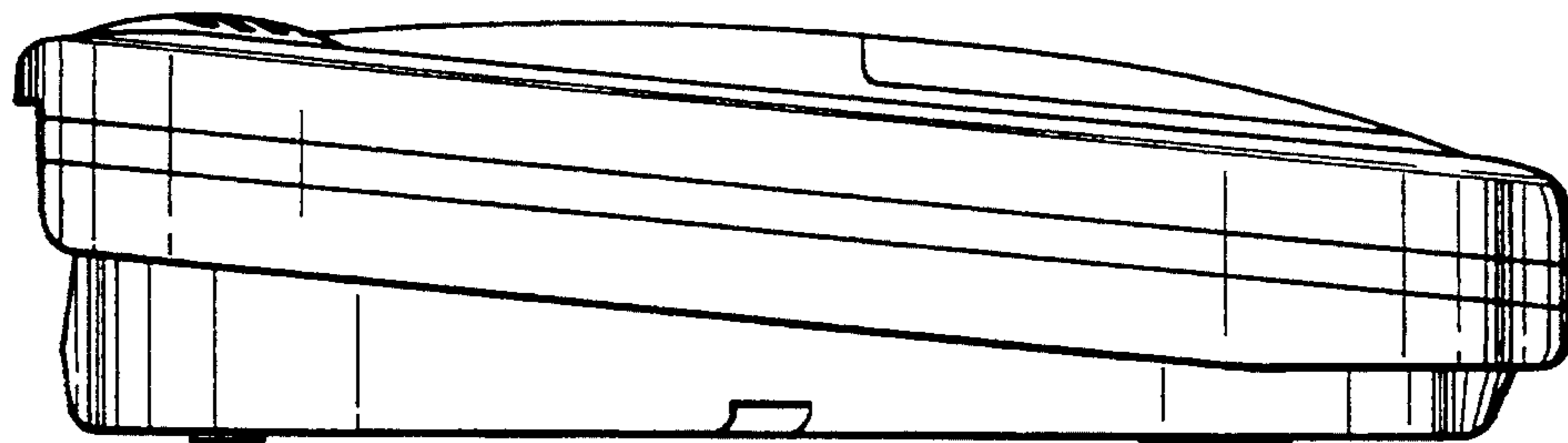


FIG. 3

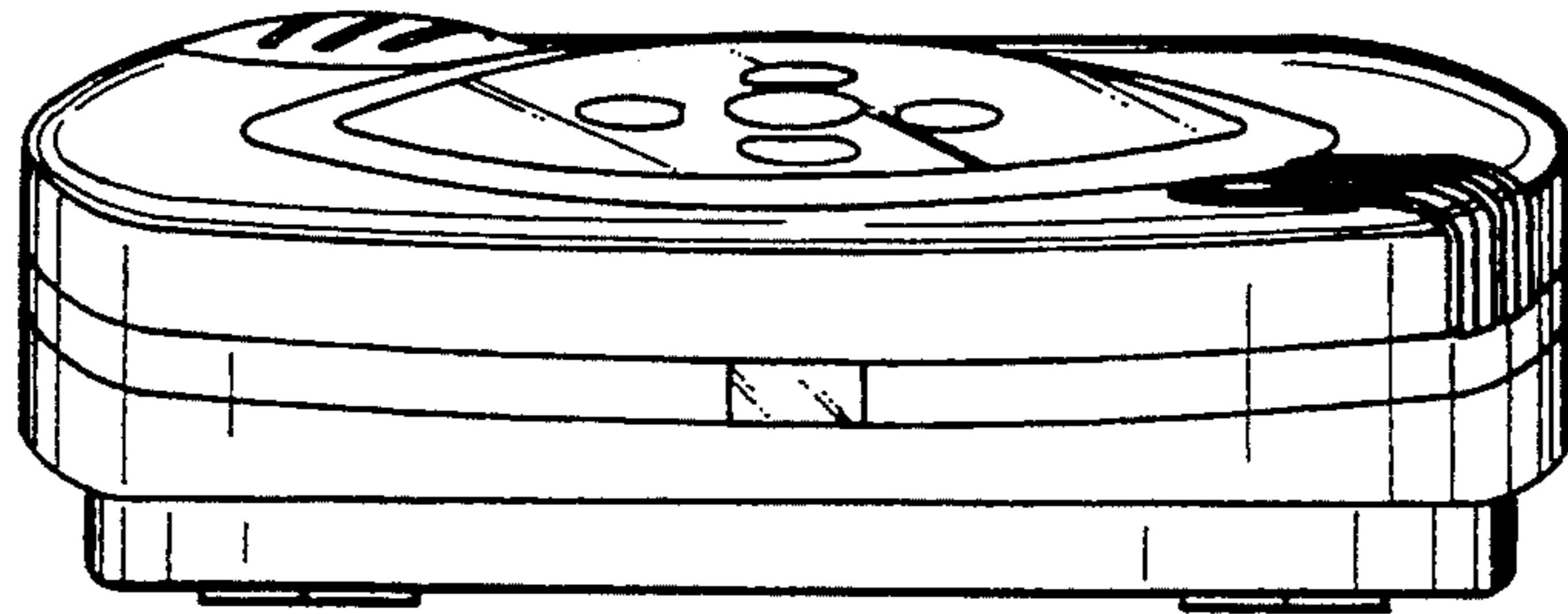


FIG. 4

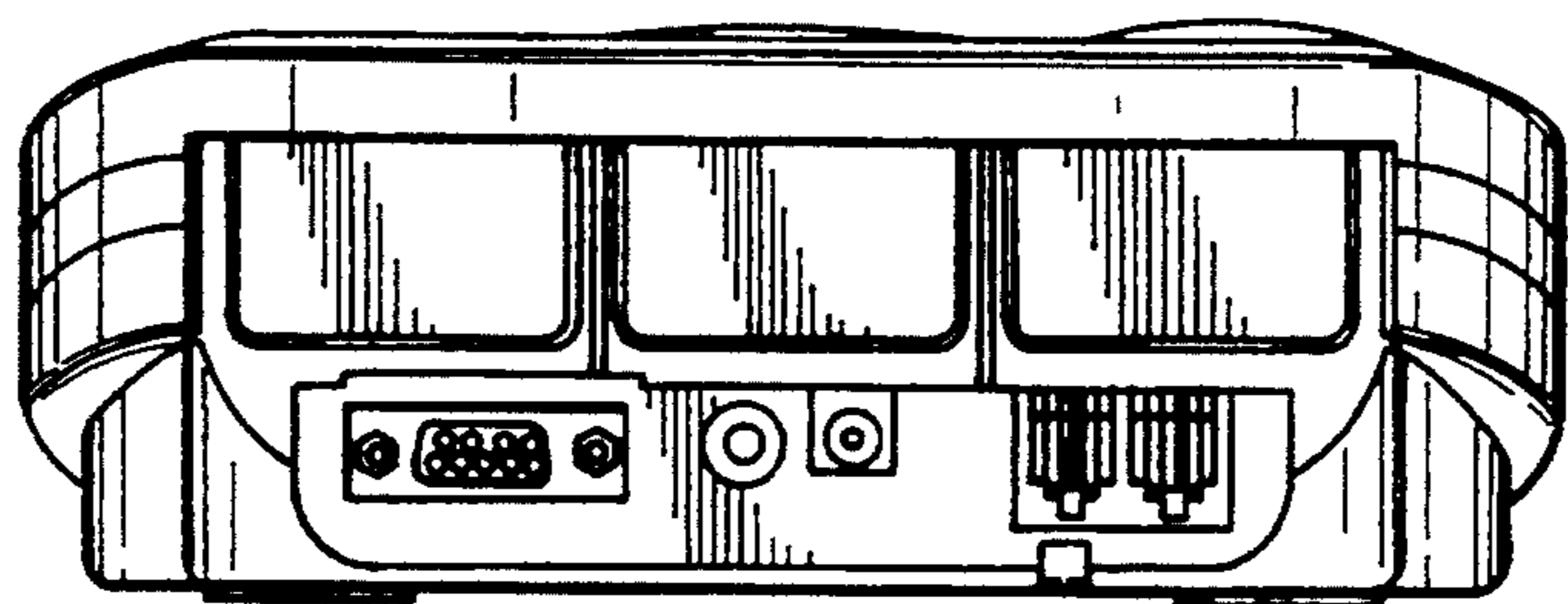


FIG. 5

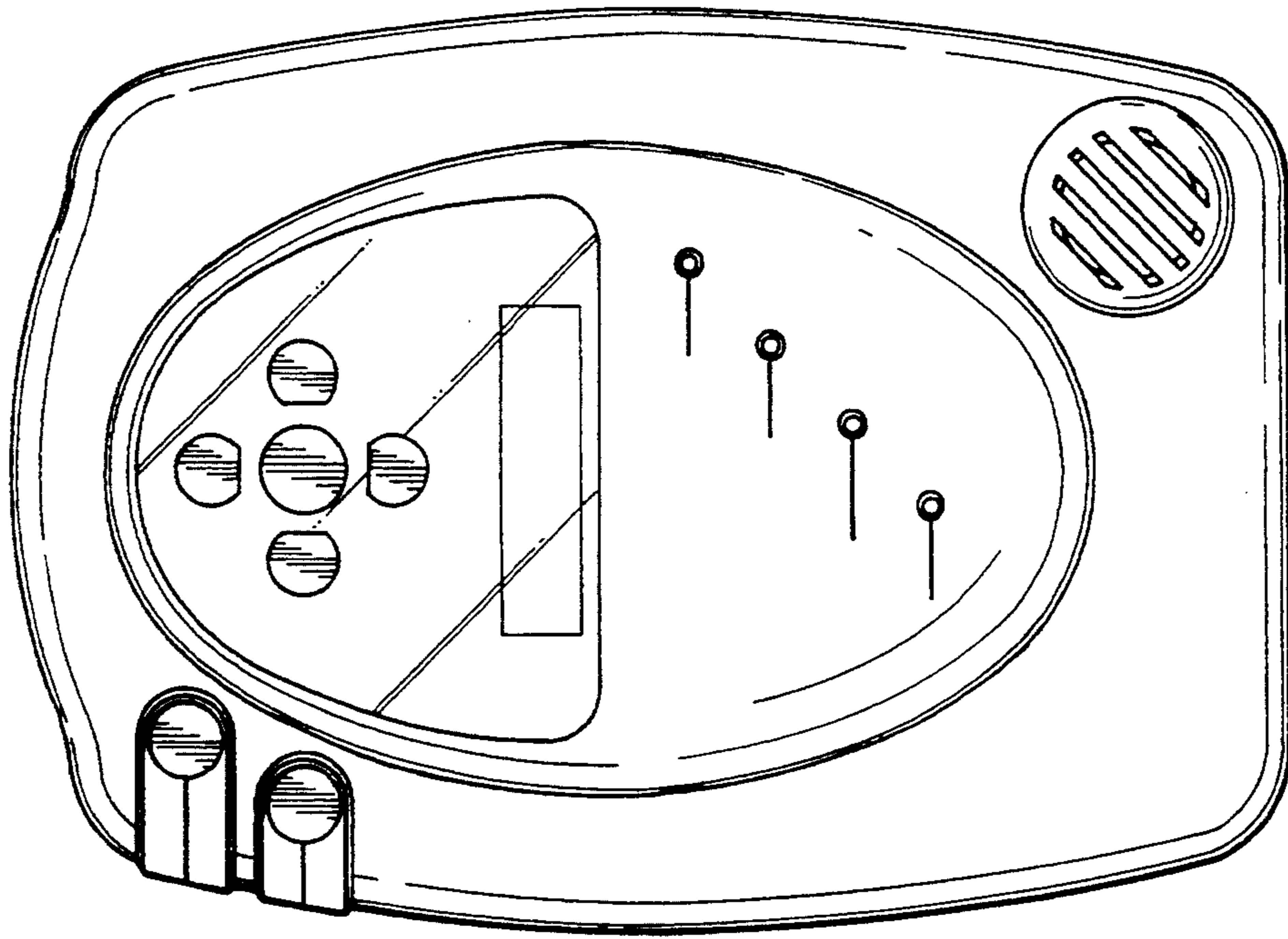


FIG. 6

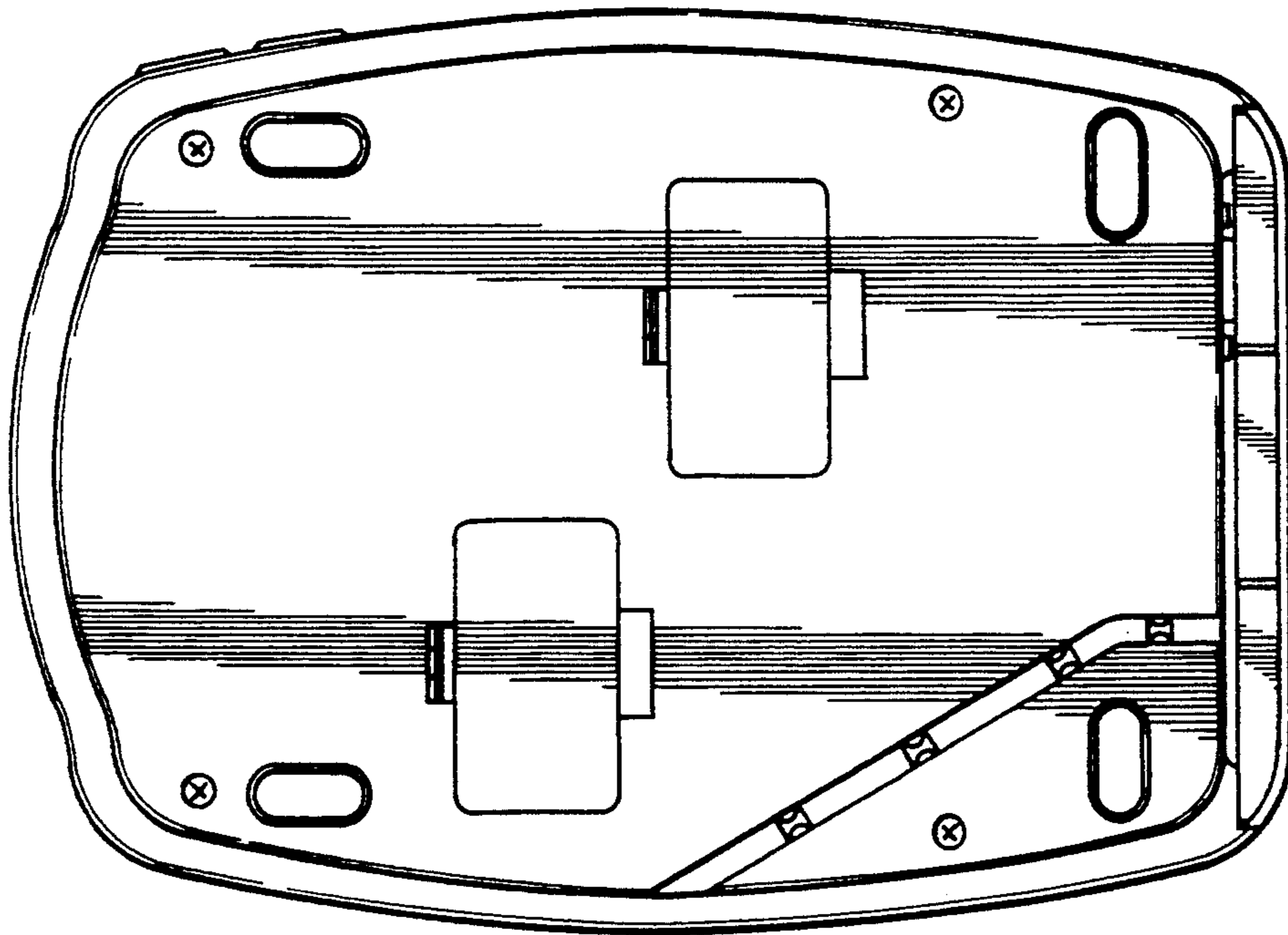


FIG. 7