



US00D350736S

# United States Patent [19]

[11] Patent Number: **Des. 350,736**

Takahashi et al.

[45] Date of Patent: **\*\* Sep. 20, 1994**

[54] TRACK BALL

[56] References Cited

[75] Inventors: **Masaki Takahashi**, Kawasaki;  
**Yoshinori Inukai**, Tokyo, both of  
Japan

### U.S. PATENT DOCUMENTS

|            |         |                       |         |
|------------|---------|-----------------------|---------|
| D. 316,253 | 4/1991  | Riddiford et al. .... | D14/114 |
| D. 332,446 | 1/1993  | Lin .....             | D14/114 |
| D. 336,747 | 6/1993  | Chao .....            | D14/114 |
| D. 340,042 | 10/1993 | Copper et al. ....    | D14/114 |
| D. 340,706 | 10/1993 | Hu .....              | D14/114 |

[73] Assignee: **Canon Kabushiki Kaisha**, Tokyo,  
Japan

*Primary Examiner*—Wallace R. Burke  
*Assistant Examiner*—M. H. Tung  
*Attorney, Agent, or Firm*—Fitzpatrick, Cella, Harper &  
Scinto

[\*\*] Term: **14 Years**

### [57] CLAIM

[21] Appl. No.: **3,952**

The ornamental design for a track ball, as shown and  
described.

[22] Filed: **Jan. 22, 1993**

### DESCRIPTION

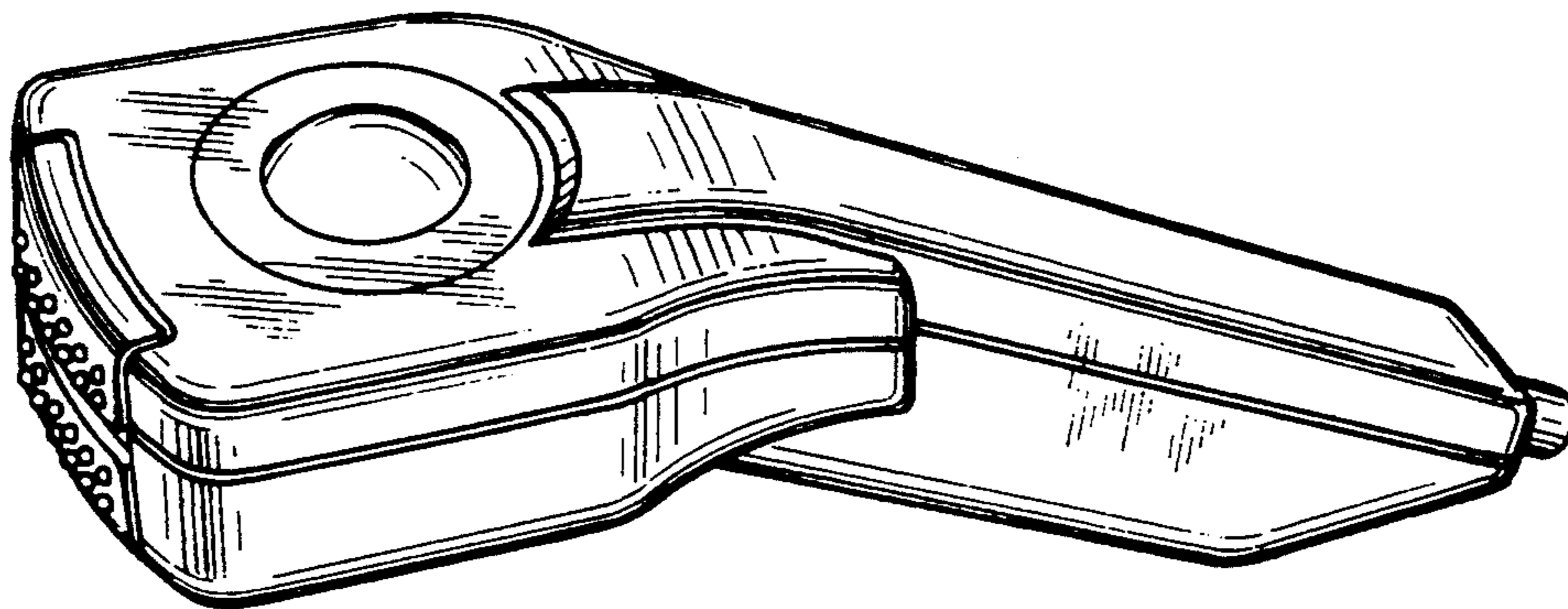
### [30] Foreign Application Priority Data

Jul. 28, 1992 [JP] Japan ..... 4-22541

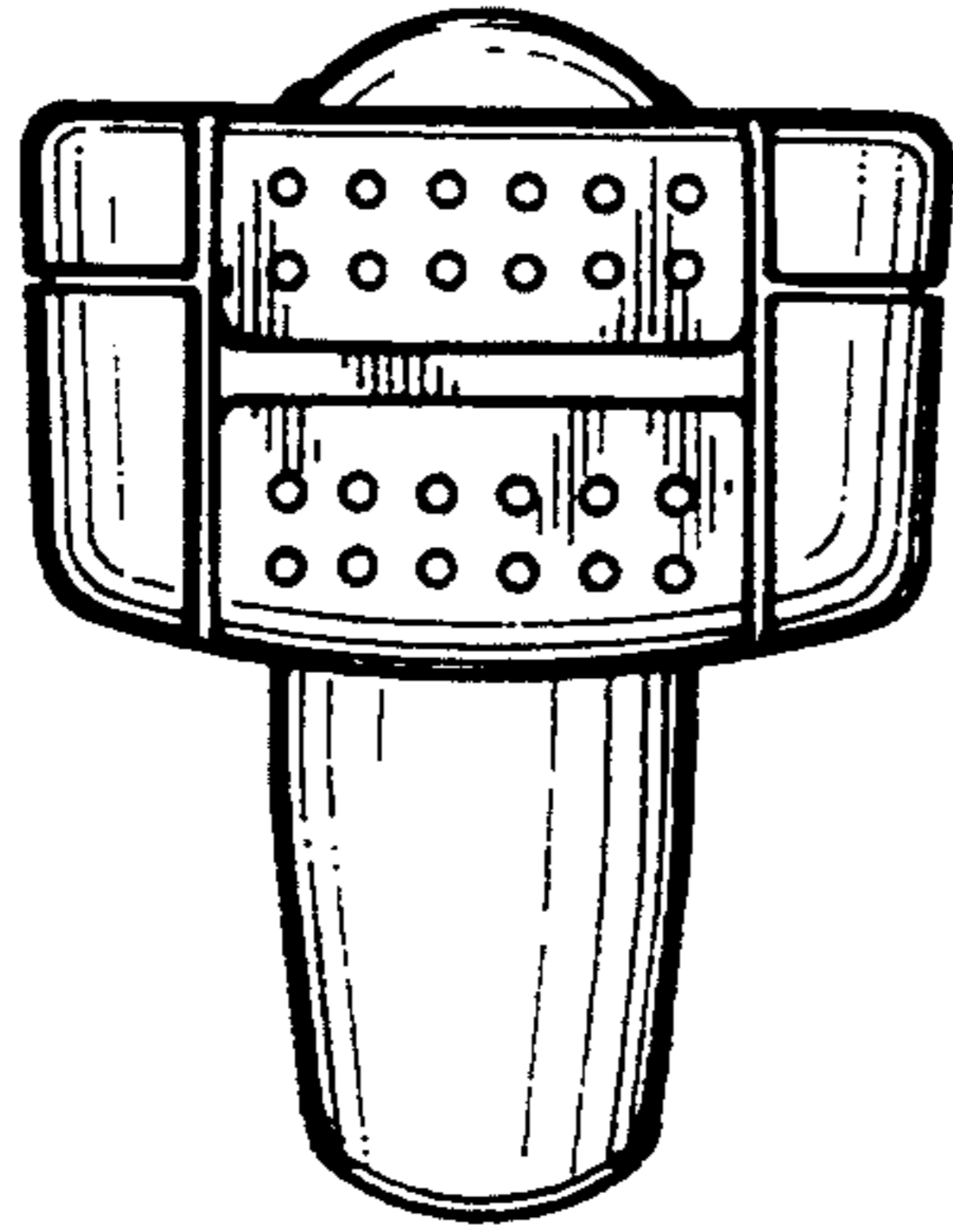
[52] U.S. Cl. .... **D14/114**

[58] Field of Search ..... 178/18-19;  
200/5 R, 5 A, 6 R, 6 A; 273/148 B; 74/471 XY;  
345/156-167; D14/100, 114; D13/158;  
D21/48; D19/41-51

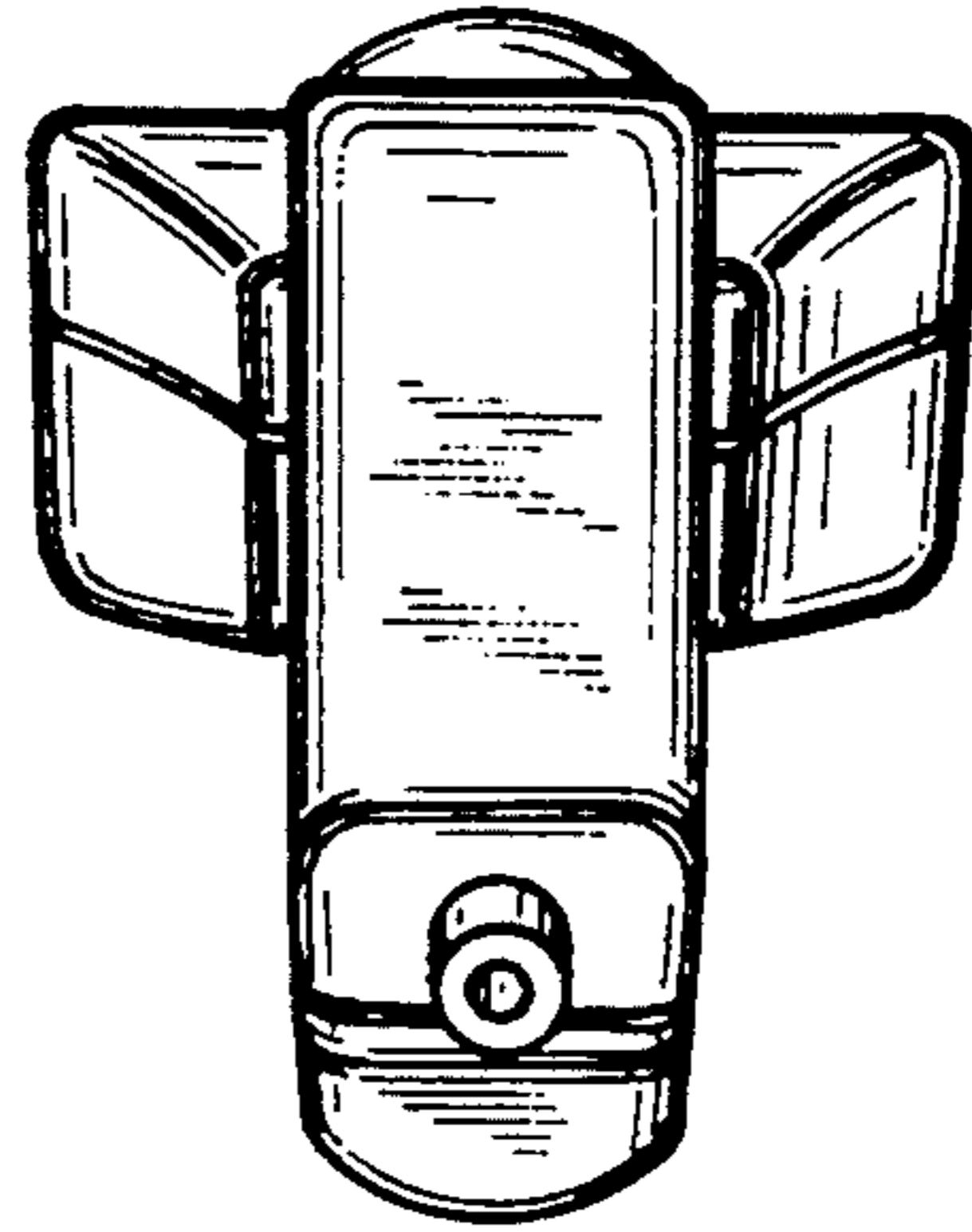
FIG. 1 is a front elevational view of a track ball show-  
ing our new design;  
FIG. 2 is a rear elevational view thereof;  
FIG. 3 is a top plan view thereof;  
FIG. 4 is a bottom plan view thereof;  
FIG. 5 is a left side elevational view thereof, the right  
side is a mirror image; and,  
FIG. 6 is a perspective view thereof.



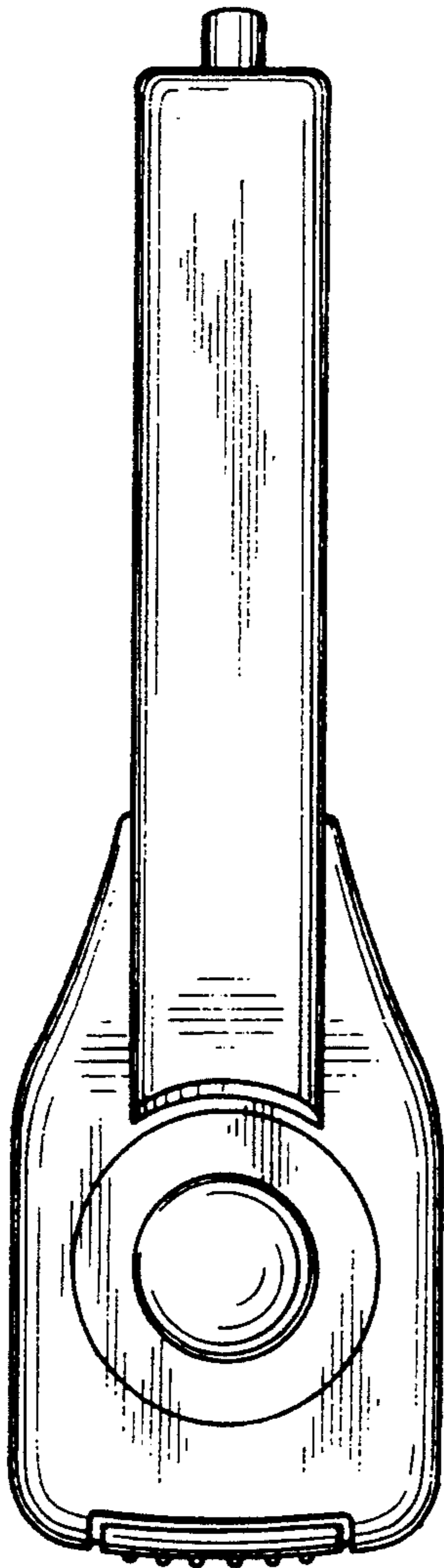
*FIG. 1*



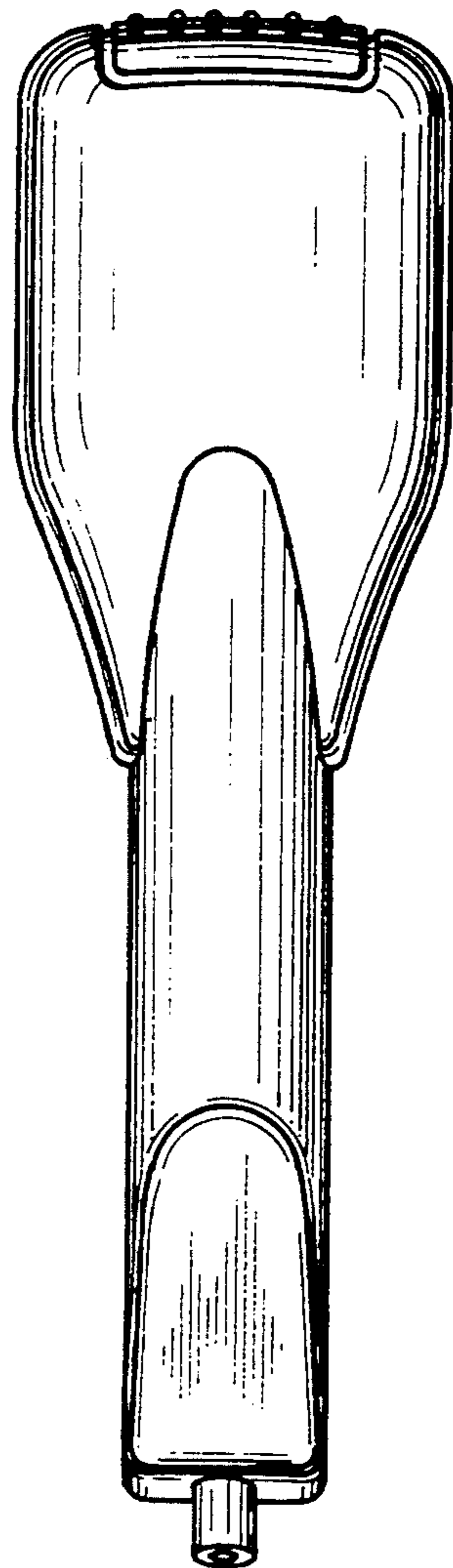
*FIG. 2*



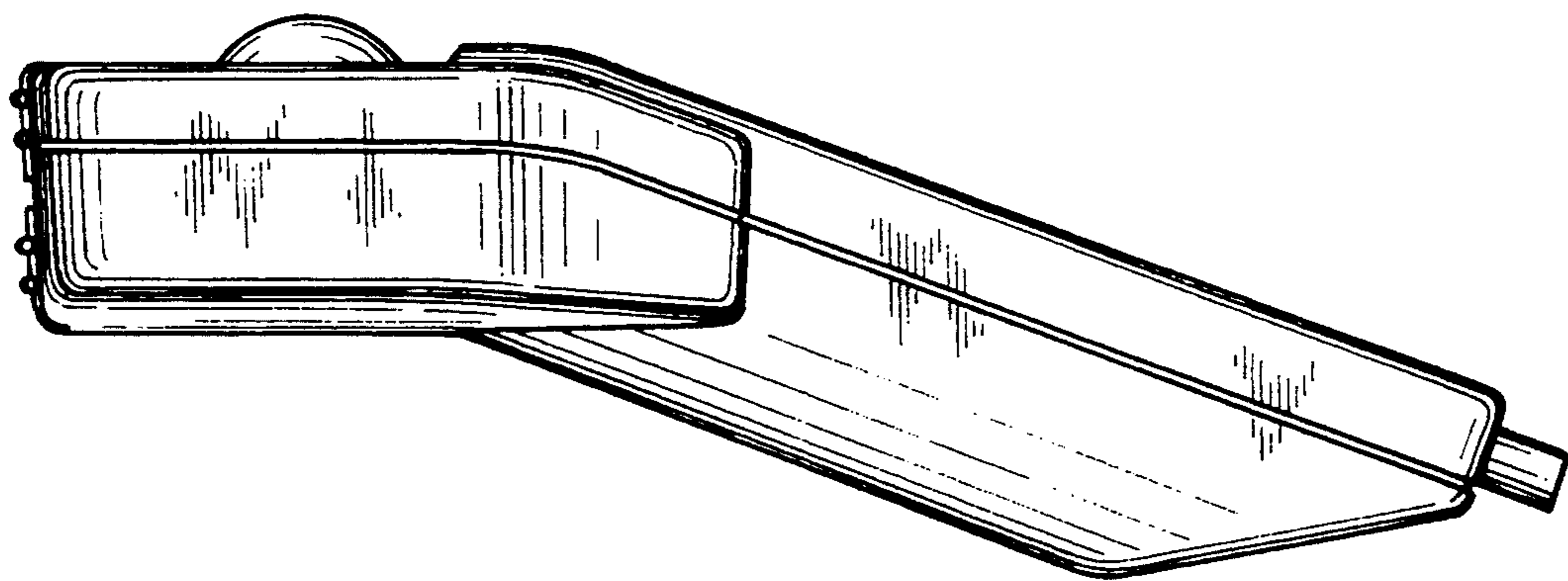
*FIG. 3*



*FIG. 4*



*FIG. 5*



*FIG. 6*

