



US00D350734S

United States Patent [19]

[11] Patent Number: **Des. 350,734**

Hill et al.

[45] Date of Patent: **** Sep. 20, 1994**

[54] **TAPE DRIVE FOR A DATA PROCESSING SYSTEM**

[75] Inventors: **David W. Hill; Tim K. Murphy**, both of Rochester, Minn.

[73] Assignee: **International Business Machines Corporation**, Armonk, N.Y.

[**] Term: **14 Years**

[21] Appl. No.: **938,635**

[22] Filed: **Aug. 27, 1992**

[52] U.S. Cl. **D14/108**

[58] Field of Search D6/421, 423; 312/208.1, 312/223.2, 223.3, 194; 360/99.12; 361/390-395; D14/100, 102, 107, 108, 109; D13/162, 184, 199

[56] **References Cited**

U.S. PATENT DOCUMENTS

- D. 295,749 5/1988 Kelley, Jr. et al. D14/109 X
- D. 304,332 10/1989 Hara D14/109

- D. 306,286 2/1990 Sawatani et al. D14/109
- D. 307,135 4/1990 Sato et al. D14/109
- D. 311,525 10/1990 Fang D14/100
- D. 314,561 2/1991 Watanabe D14/108
- D. 325,194 4/1992 Kline et al. D14/100

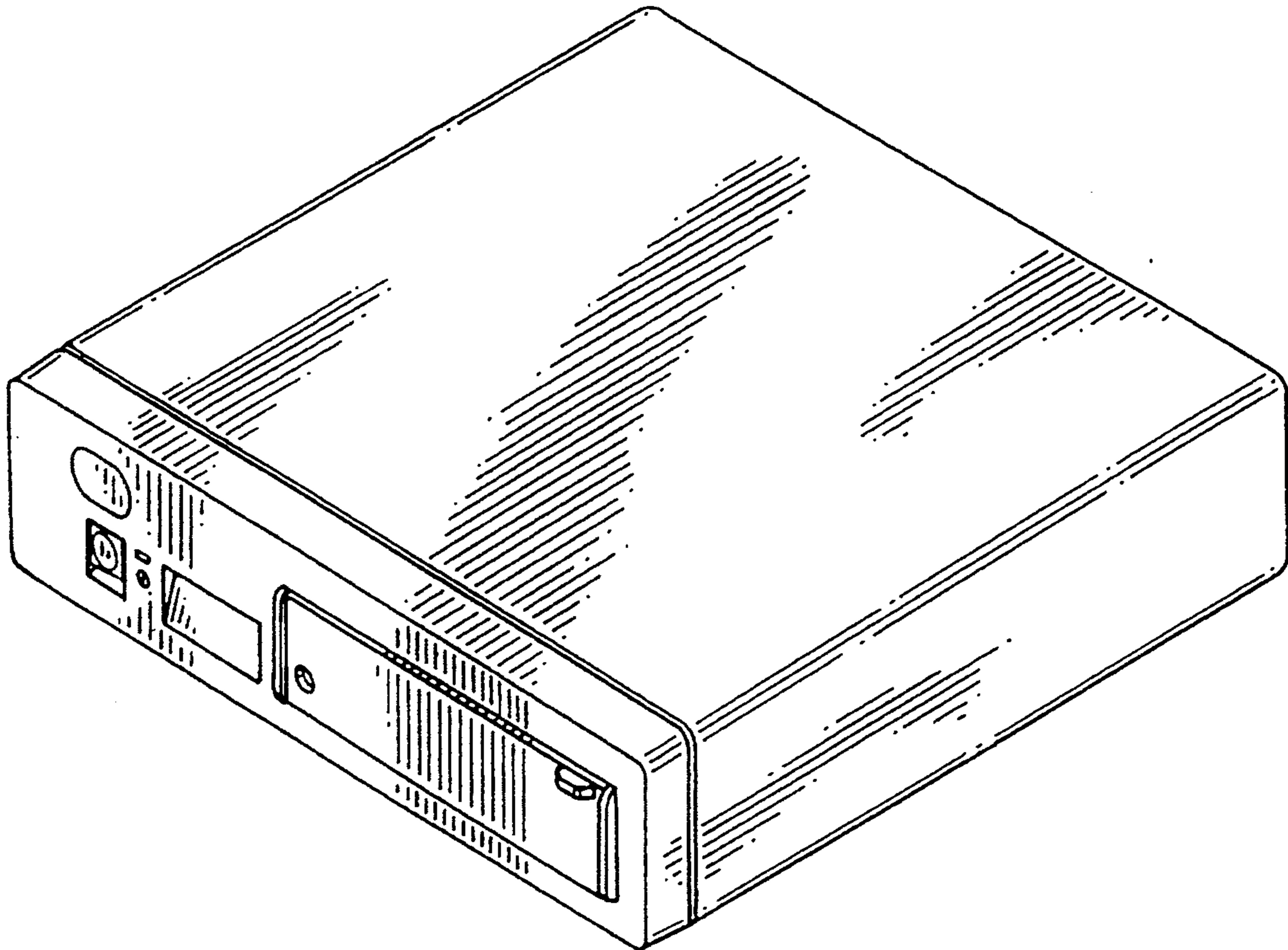
Primary Examiner—Wallace R. Burke
Assistant Examiner—Freda S. Nunn
Attorney, Agent, or Firm—Roy W. Truelson

[57] **CLAIM**

The ornamental design for a tape drive for a data processing system, as shown and described.

DESCRIPTION

FIG. 1 is a slightly reduced top front and right side perspective view of a tape drive for a data processing system showing our new design; FIG. 2 is a front elevational view thereof; FIG. 3 is a top plan view thereof; FIG. 4 is a right side elevational view thereof, the left side elevational view being identical in appearance; FIG. 5 is a rear elevational view thereof; and, FIG. 6 is a bottom plan view thereof.



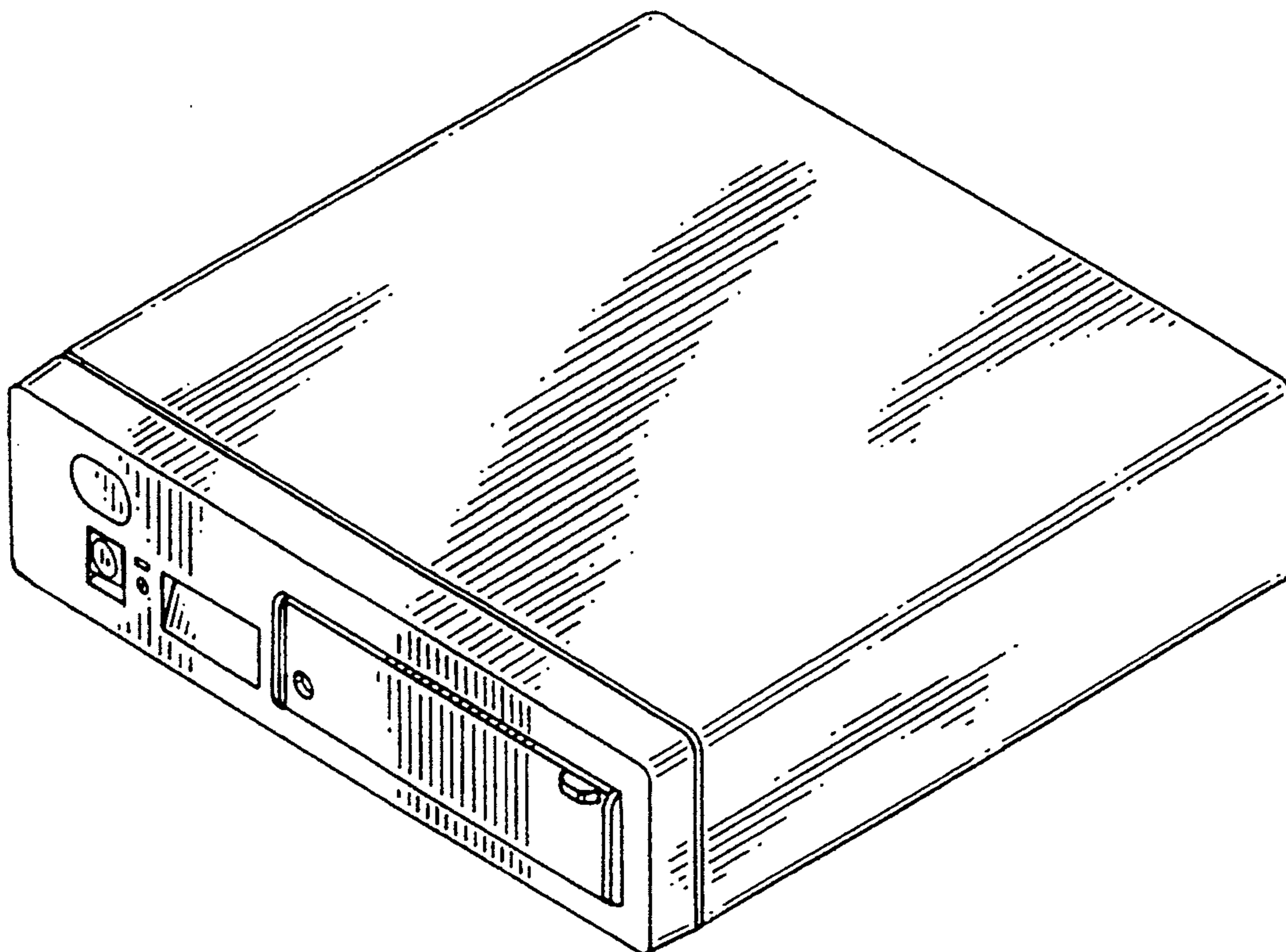


FIG. 1

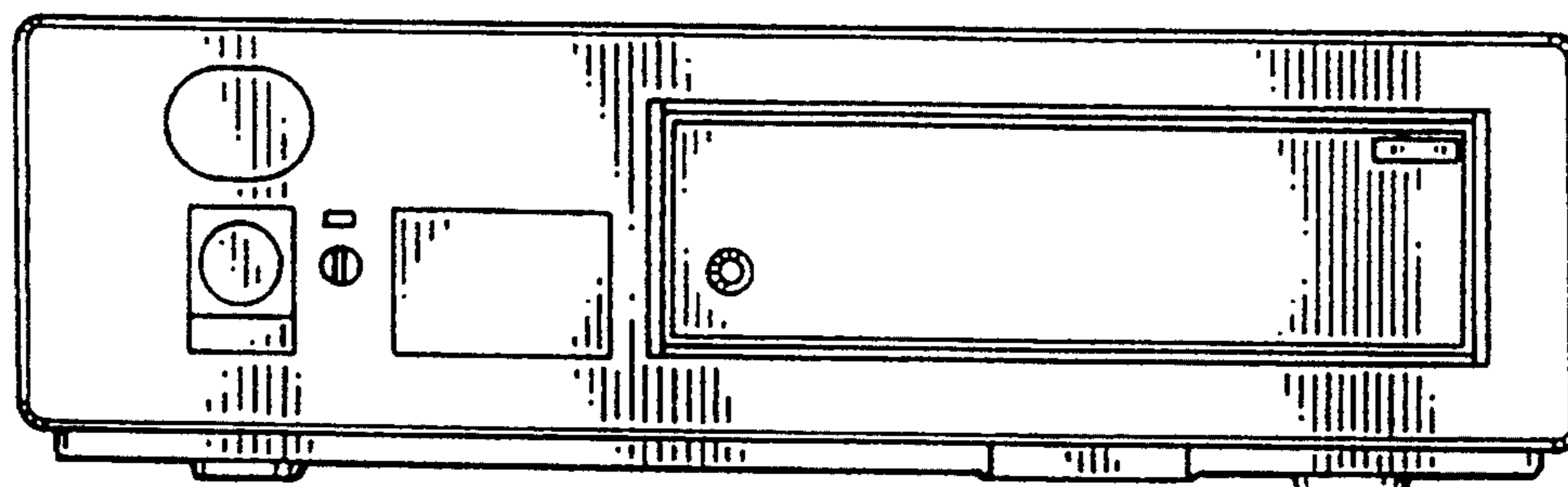


FIG. 2

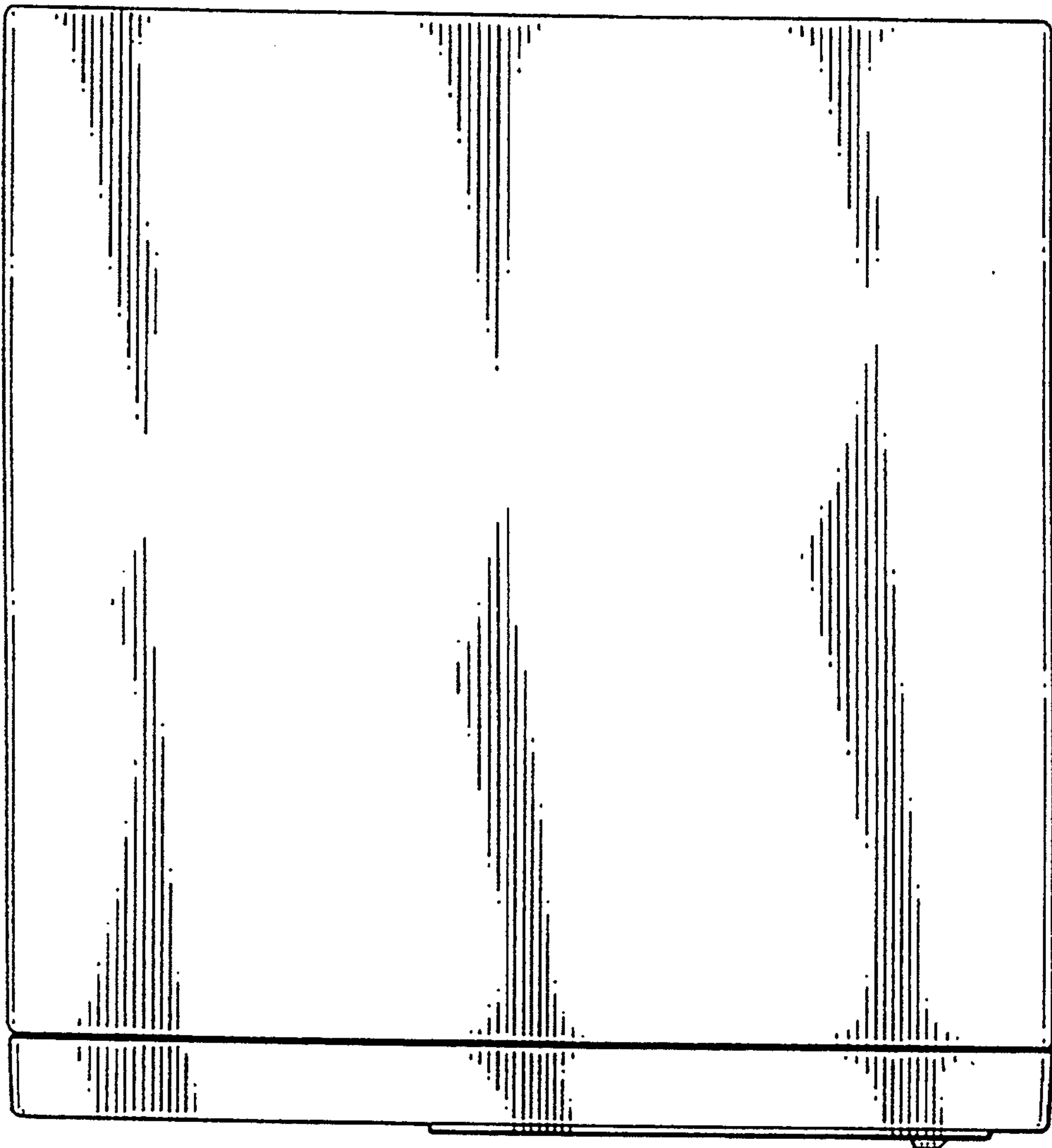


FIG. 3

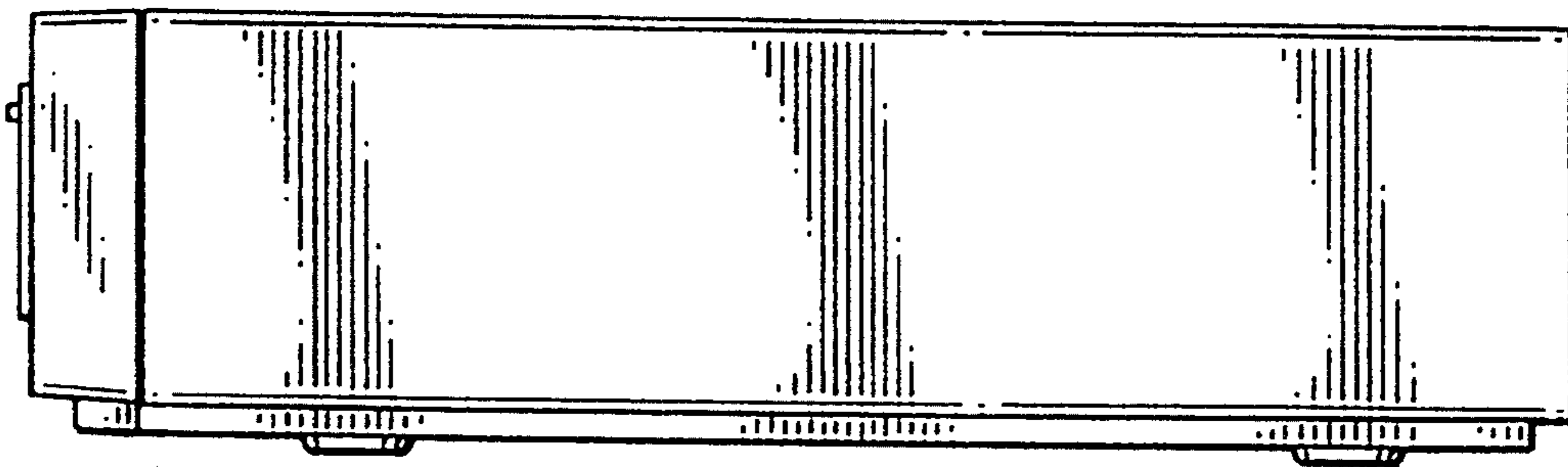


FIG. 4

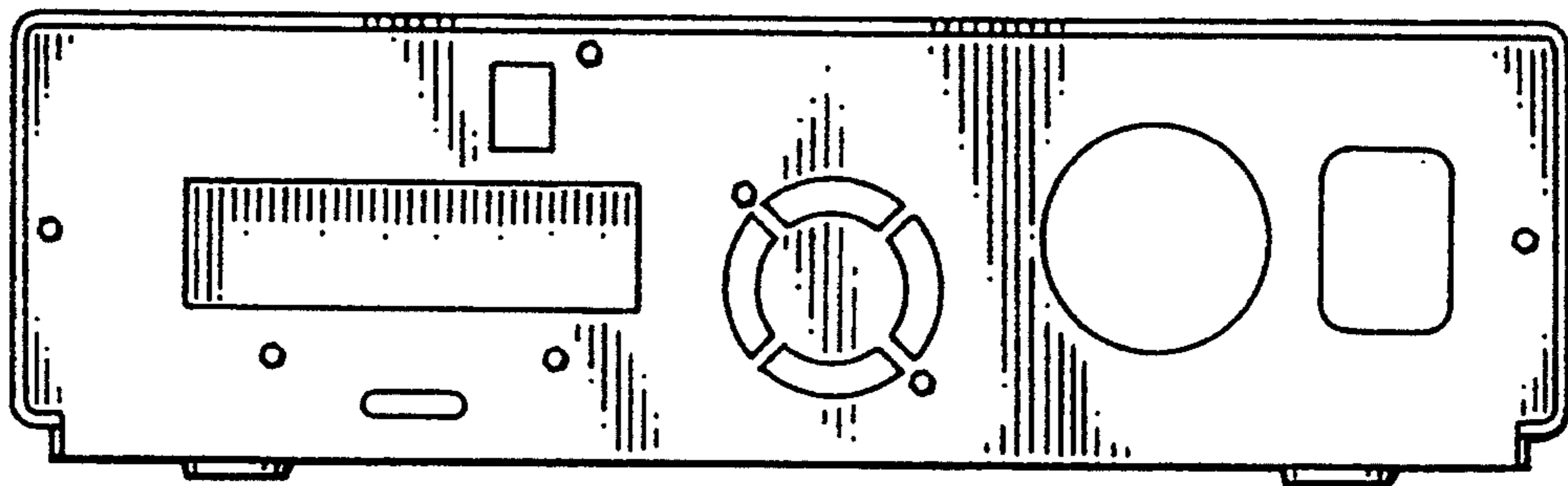


FIG. 5

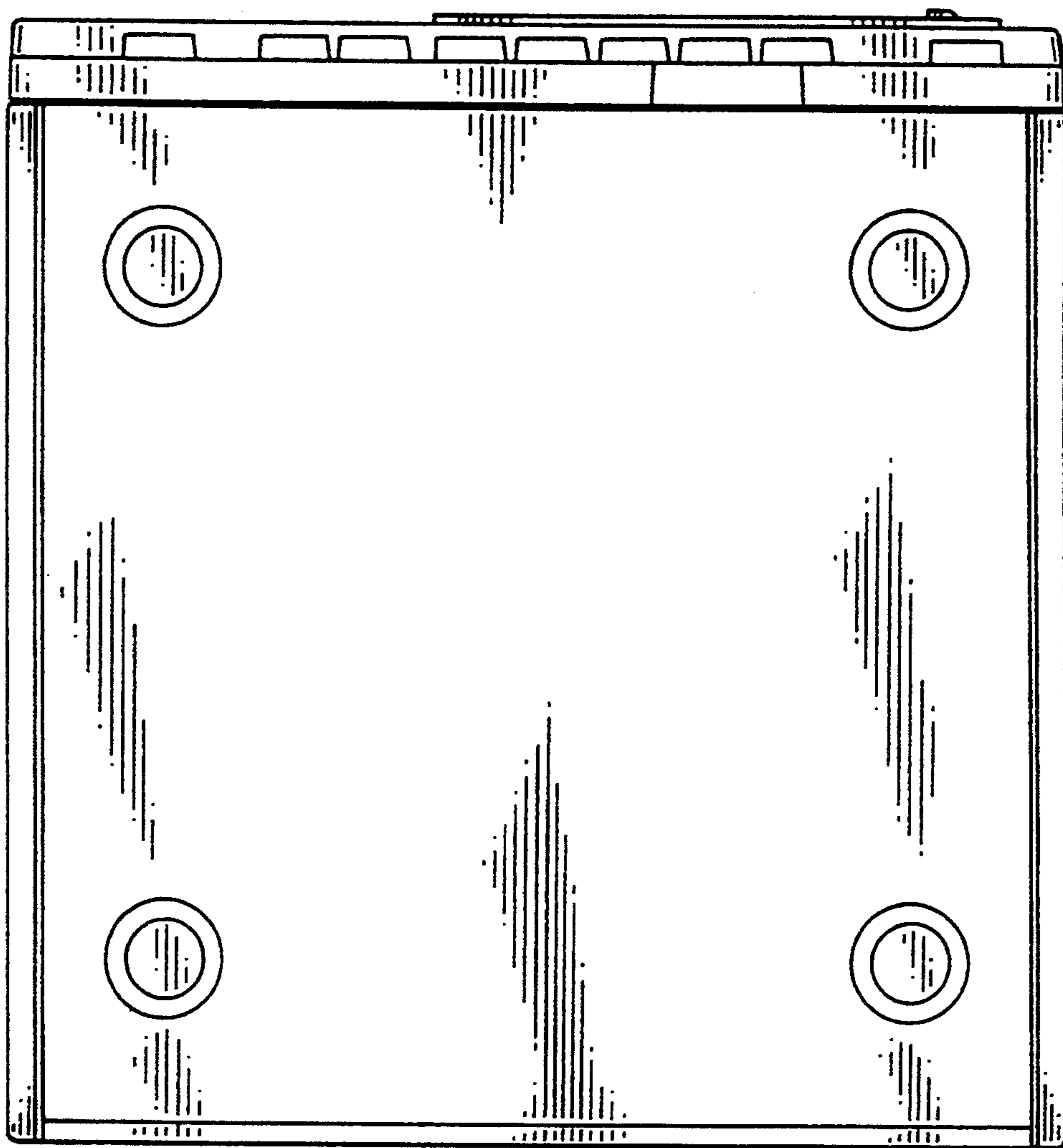


FIG. 6