



US00D350732S

# United States Patent [19]

[11] Patent Number: **Des. 350,732**

**Inukai**

[45] Date of Patent: **\*\* Sep. 20, 1994**

[54] **ELECTRONIC COMPUTER WITH PRINTER**

[75] Inventor: **Yoshinori Inukai, Tokyo, Japan**

[73] Assignee: **Canon Kabushiki Kaisha, Tokyo, Japan**

[\*\*] Term: **14 Years**

[21] Appl. No.: **6,165**

[22] Filed: **Mar. 22, 1993**

[30] **Foreign Application Priority Data**

Sep. 22, 1992 [JP] Japan ..... 4-27721

[52] U.S. Cl. .... **D14/106; D18/52**

[58] Field of Search ..... 235/145 A, 145 R;  
345/168, 169, 172, 173; 361/679-683;  
D14/100, 106, 13, 115; D18/1, 7, 11, 12, 52

[56] **References Cited**

**U.S. PATENT DOCUMENTS**

D. 290,845 7/1987 Yubisui et al. .... D18/52 X  
D. 329,853 9/1992 Mizusugi et al. .... D14/106

D. 334,182 3/1993 Mizusugi et al. .... D14/106  
D. 335,870 5/1993 Yun ..... D14/106  
D. 336,465 6/1993 Kim ..... D14/106  
D. 344,497 2/1994 Matsumoto ..... D14/106  
D. 344,720 3/1994 Inukai ..... D14/106

*Primary Examiner*—Wallace R. Burke  
*Assistant Examiner*—Freda S. Nunn  
*Attorney, Agent, or Firm*—Fitzpatrick, Cella, Harper & Scinto

[57] **CLAIM**

The ornamental design for an electronic computer with printer, as shown and described.

**DESCRIPTION**

FIG. 1 is a front elevational view of an electronic computer with printer showing my new design; FIG. 2 is a rear elevational view thereof; FIG. 3 is a top plan view thereof; FIG. 4 is a bottom plan view thereof; FIG. 5 is a left side elevational view thereof; FIG. 6 is a right side elevational view thereof; and, FIG. 7 is a perspective view thereof.

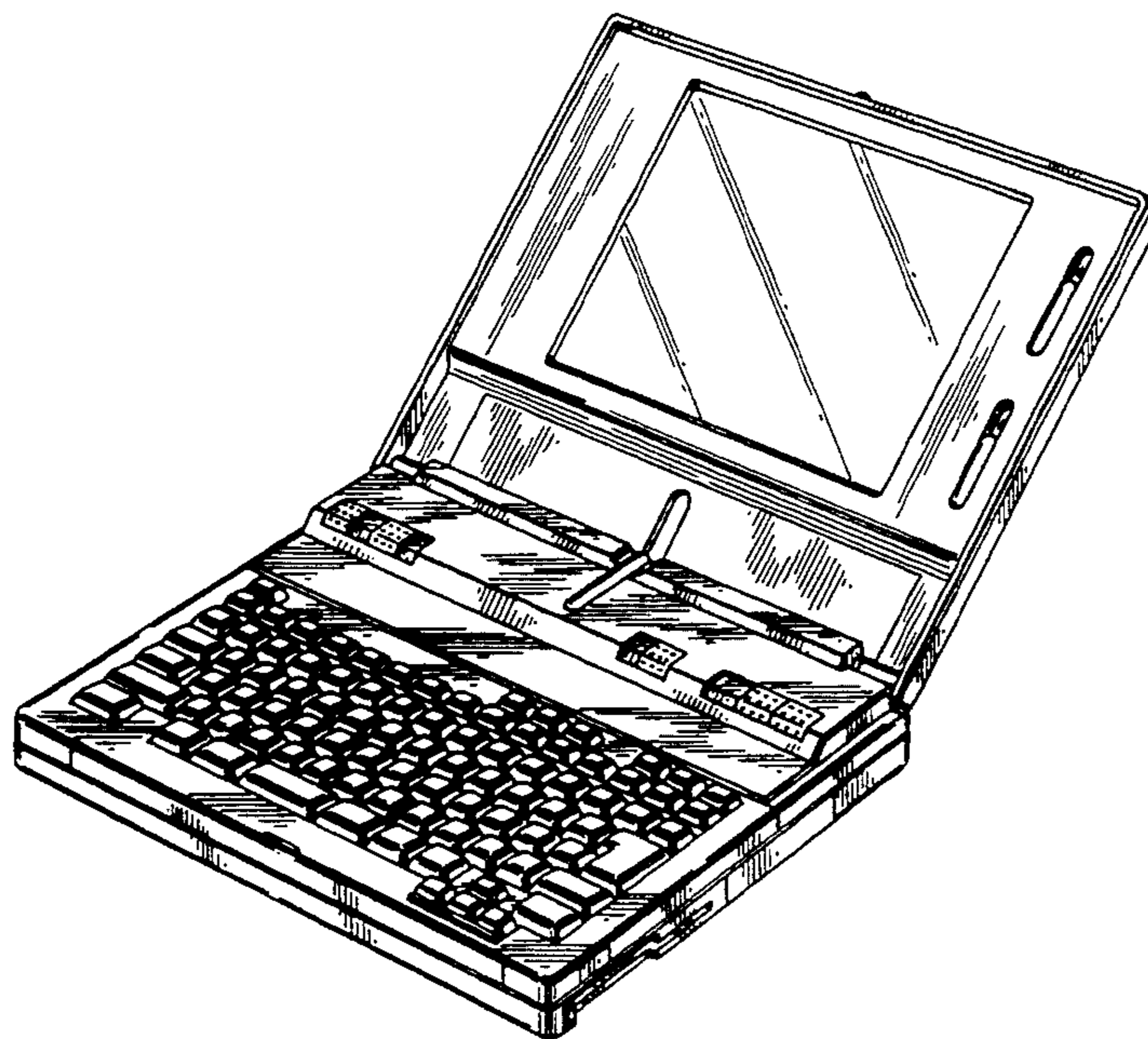
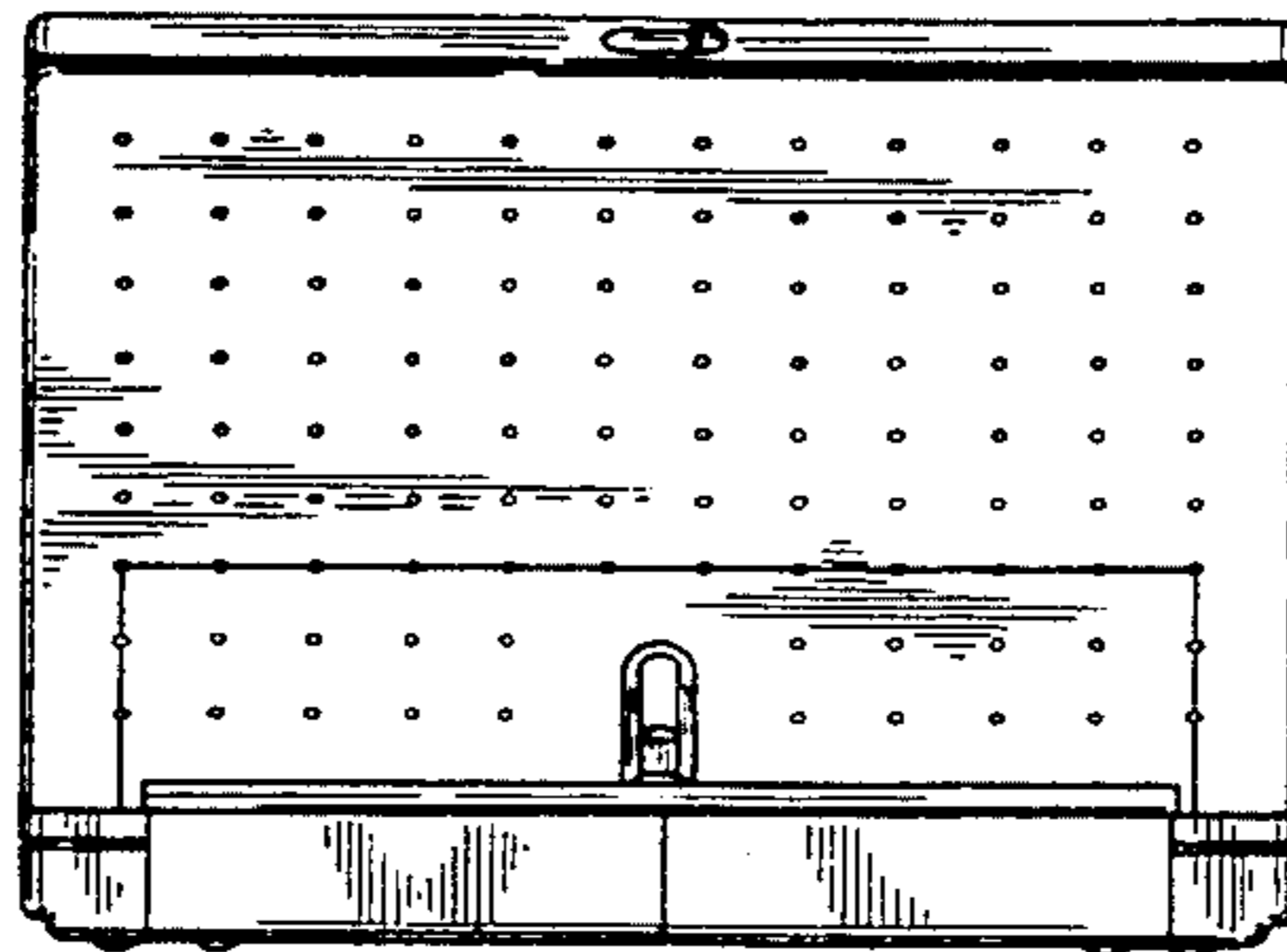


FIG. 1

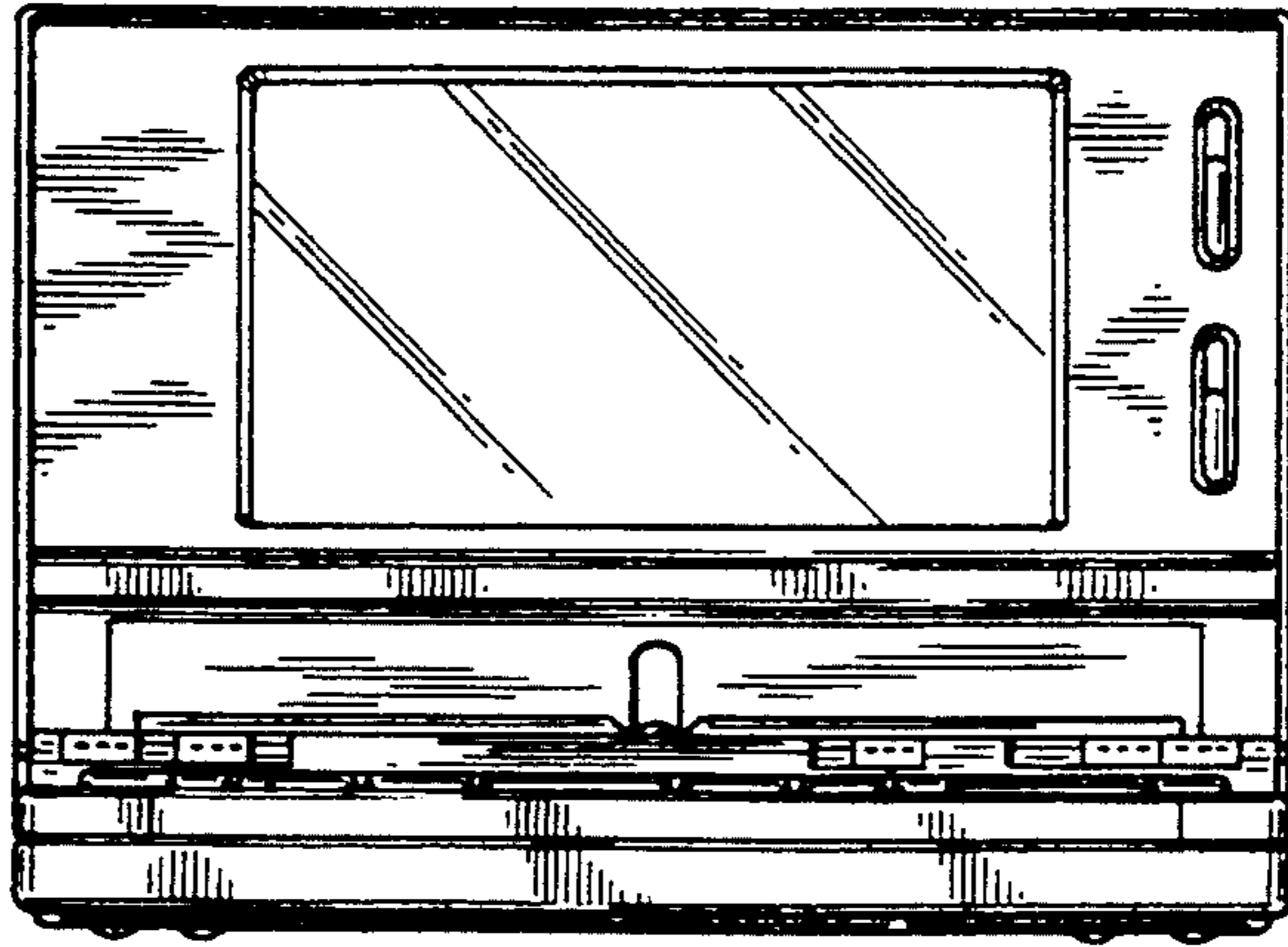


FIG. 2

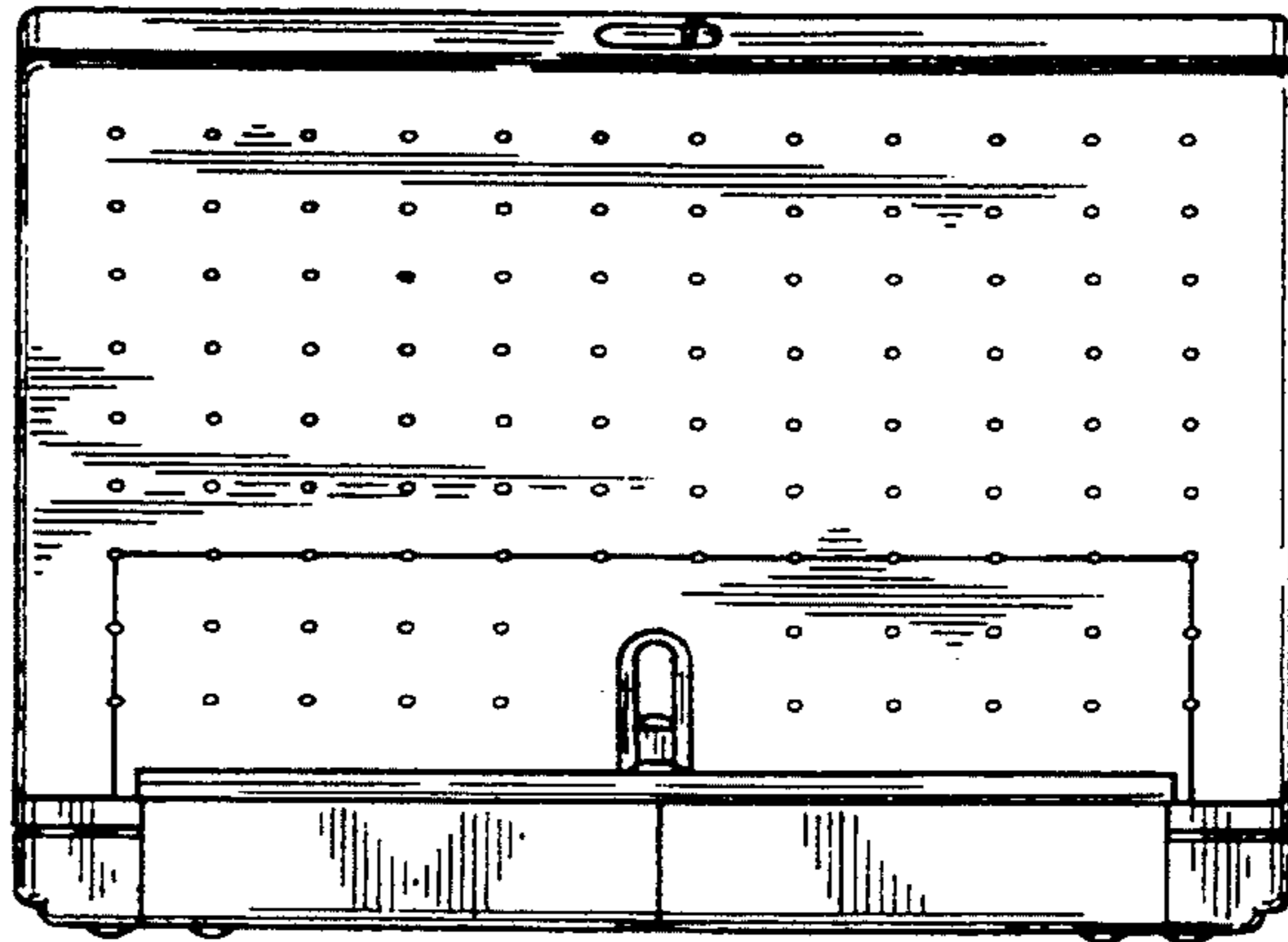


FIG. 3

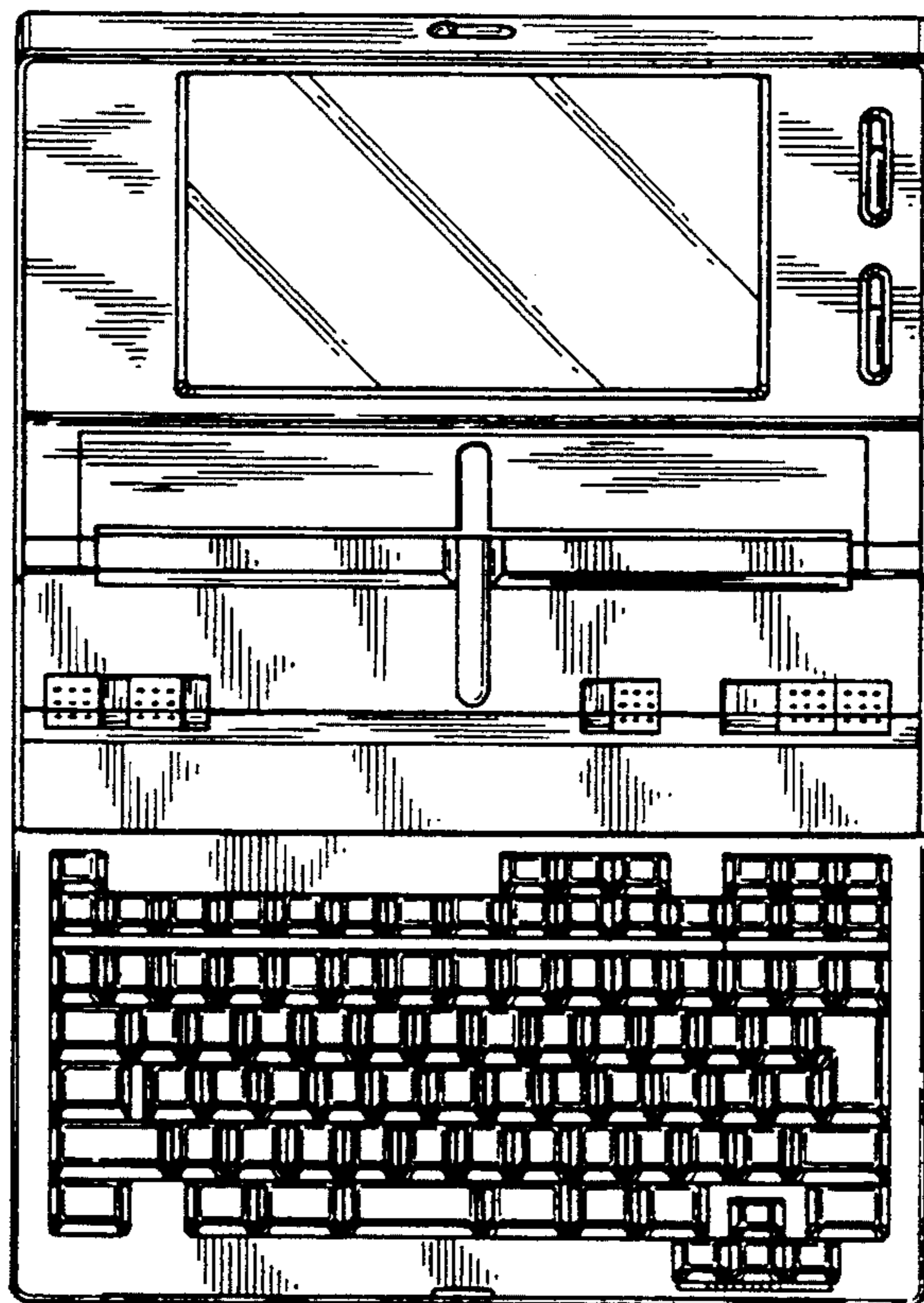


FIG. 4

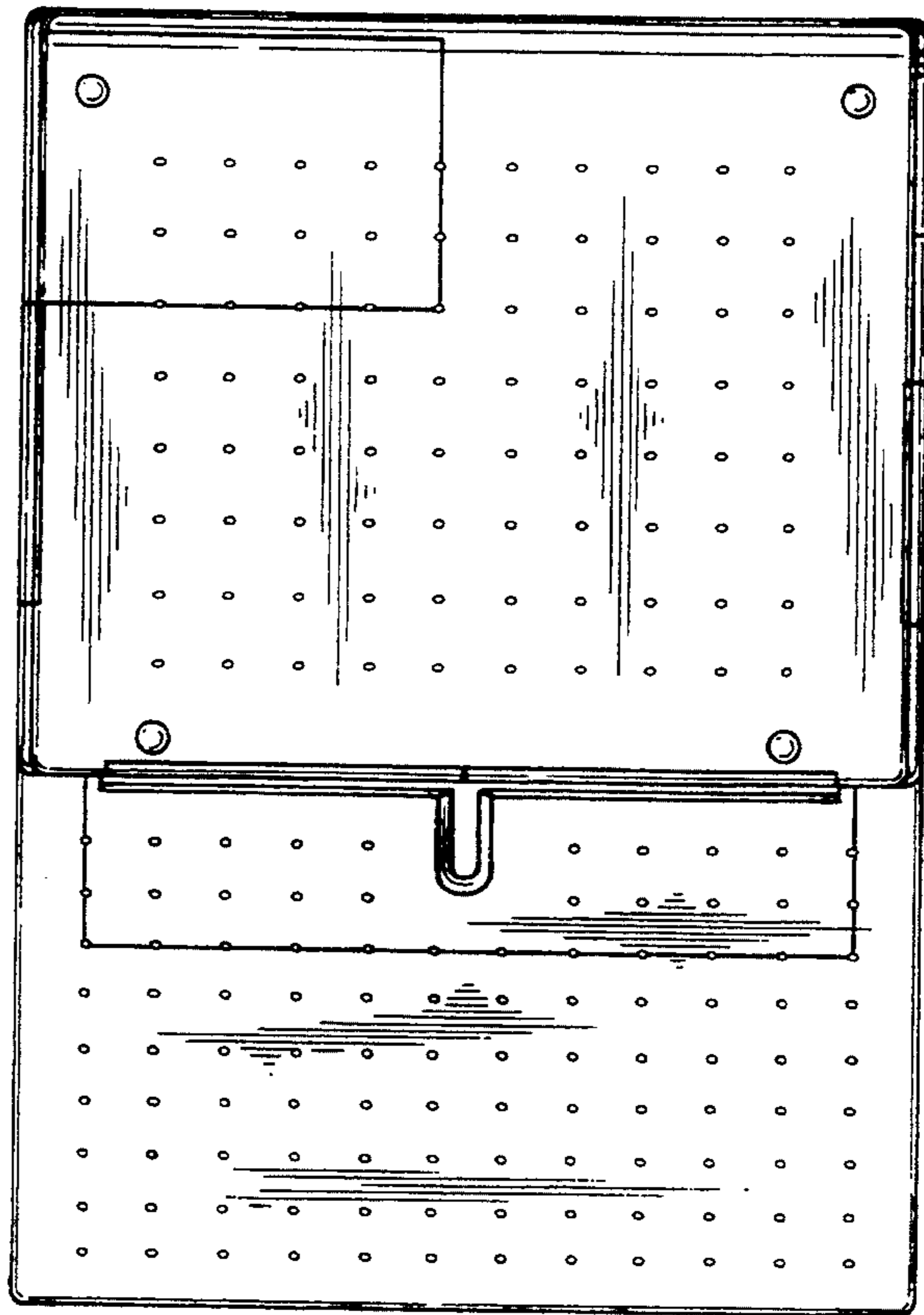


FIG. 5

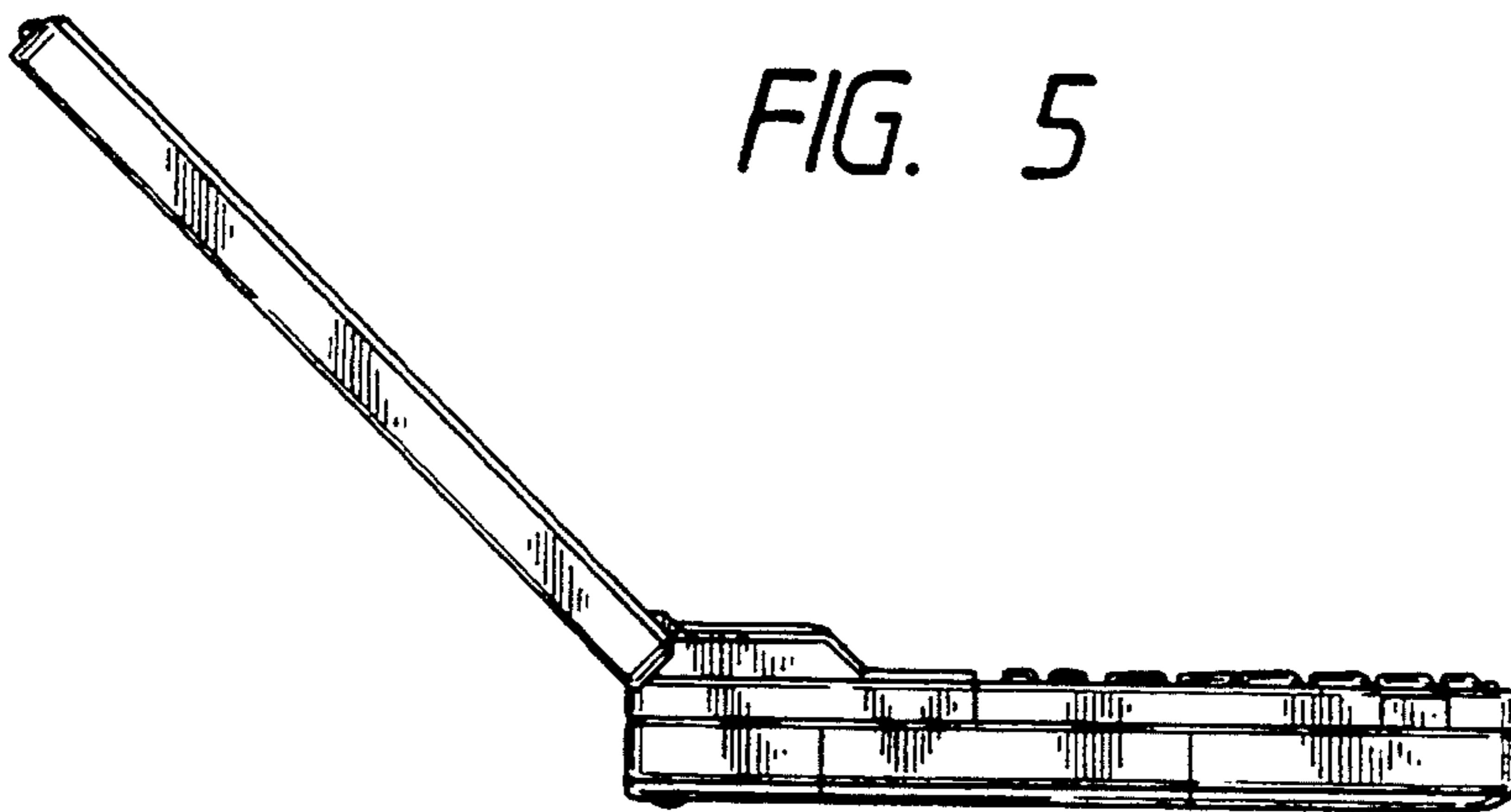


FIG. 6

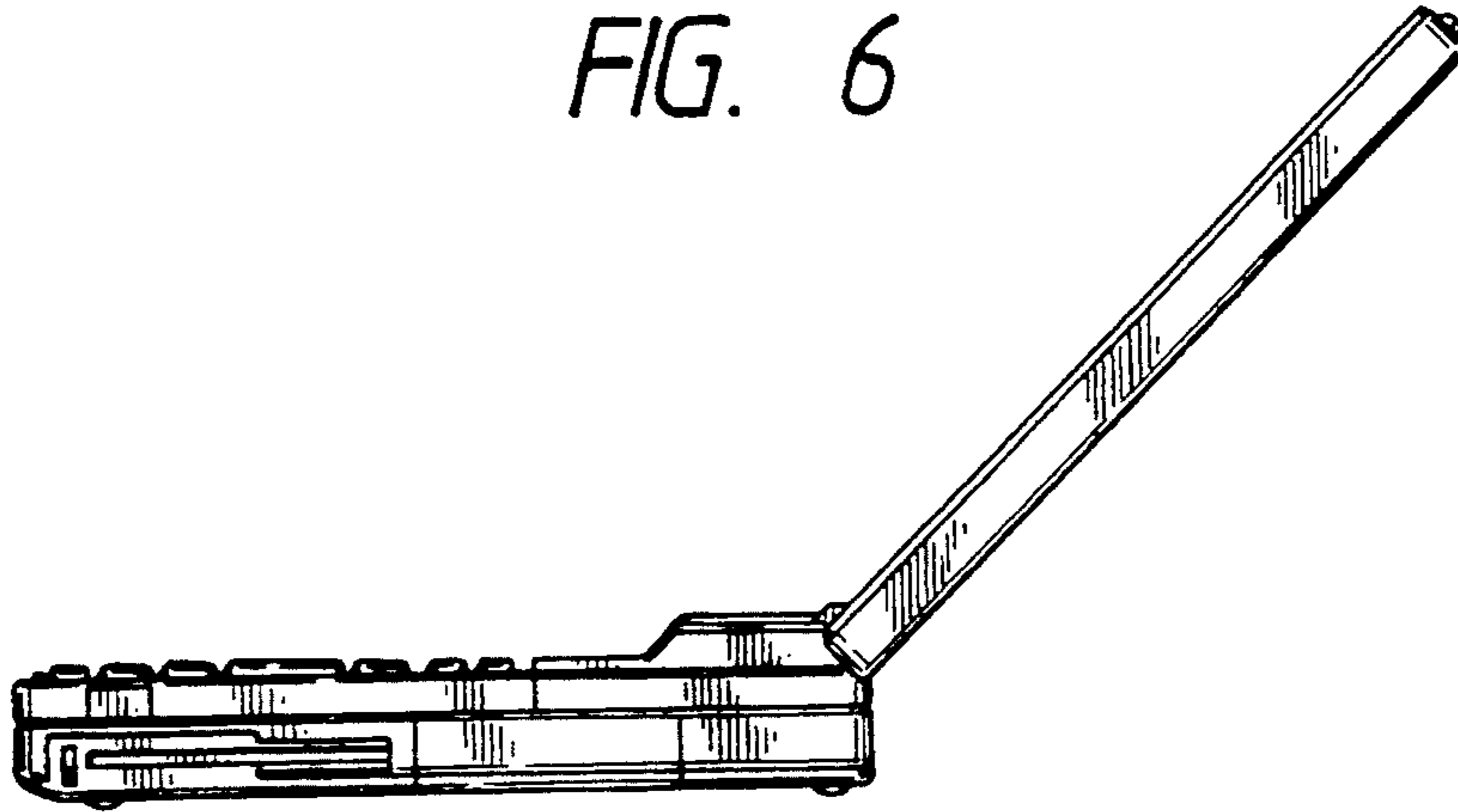


FIG. 7

