



US00D350729S

United States Patent [19]

[11] Patent Number: Des. 350,729

Miyazawa et al.

[45] Date of Patent: ** Sep. 20, 1994

[54] VACUUM CIRCUIT BREAKER

FOREIGN PATENT DOCUMENTS

[75] Inventors: **Takayuki Miyazawa**, Tama; **Junji Fujiwara**, Oume; **Kimiya Sato**, Tokorozawa; **Makoto Taniguchi**; **Satoshi Ogawa**, both of Fuchu; **Akihiko Konno**, Tokyo; **Hideki Tsuboi**, Koganei, all of Japan

D576608 5/1982 Japan .
D576681 5/1982 Japan .
D583911 9/1982 Japan .
D731712 5/1988 Japan .
D812189 5/1991 Japan .
D819839 10/1991 Japan .

[73] Assignee: **Kabushiki Kaisha Toshiba**, Kawasaki, Japan

Primary Examiner—Wallace R. Burke
Assistant Examiner—Joel Sincavage
Attorney, Agent, or Firm—Oblon, Spivak, McClelland, Maier & Neustadt

[**] Term: **14 Years**

[57] CLAIM

[21] Appl. No.: **6,162**

The ornamental design for a vacuum circuit breaker, as shown and described.

[22] Filed: **Mar. 22, 1993**

DESCRIPTION

[30] Foreign Application Priority Data

FIG. 1 is a front, top and right side perspective view of a vacuum circuit breaker, showing our new design; FIG. 2 is a rear, top and left side perspective view thereof; FIG. 3 is a front elevational view thereof; FIG. 4 is a rear elevational view thereof; FIG. 5 is a left side elevational view thereof; FIG. 6 is a right side elevational view thereof; FIG. 7 is a top plan view thereof; FIG. 8 is a bottom plan view thereof; and, FIG. 9 is a reference view showing our new design in the state of use. The broken line showing is included for the purpose of illustrating environmental structure only and forms no part of the claimed design.

Sep. 22, 1992 [JP] Japan 4-27638
[52] U.S. Cl. **D13/160**
[58] Field of Search 200/144 B; 439/247, 439/536; D13/160, 173, 174

[56] References Cited

U.S. PATENT DOCUMENTS

3,928,716 12/1975 Marrero 439/536 X
4,403,124 9/1983 Perkins et al. 200/144 B
4,839,477 6/1989 Orosz et al. 200/144 B X
4,879,441 11/1989 Hamm et al. 200/144 B
4,950,178 8/1990 Harvey et al. 439/247 X

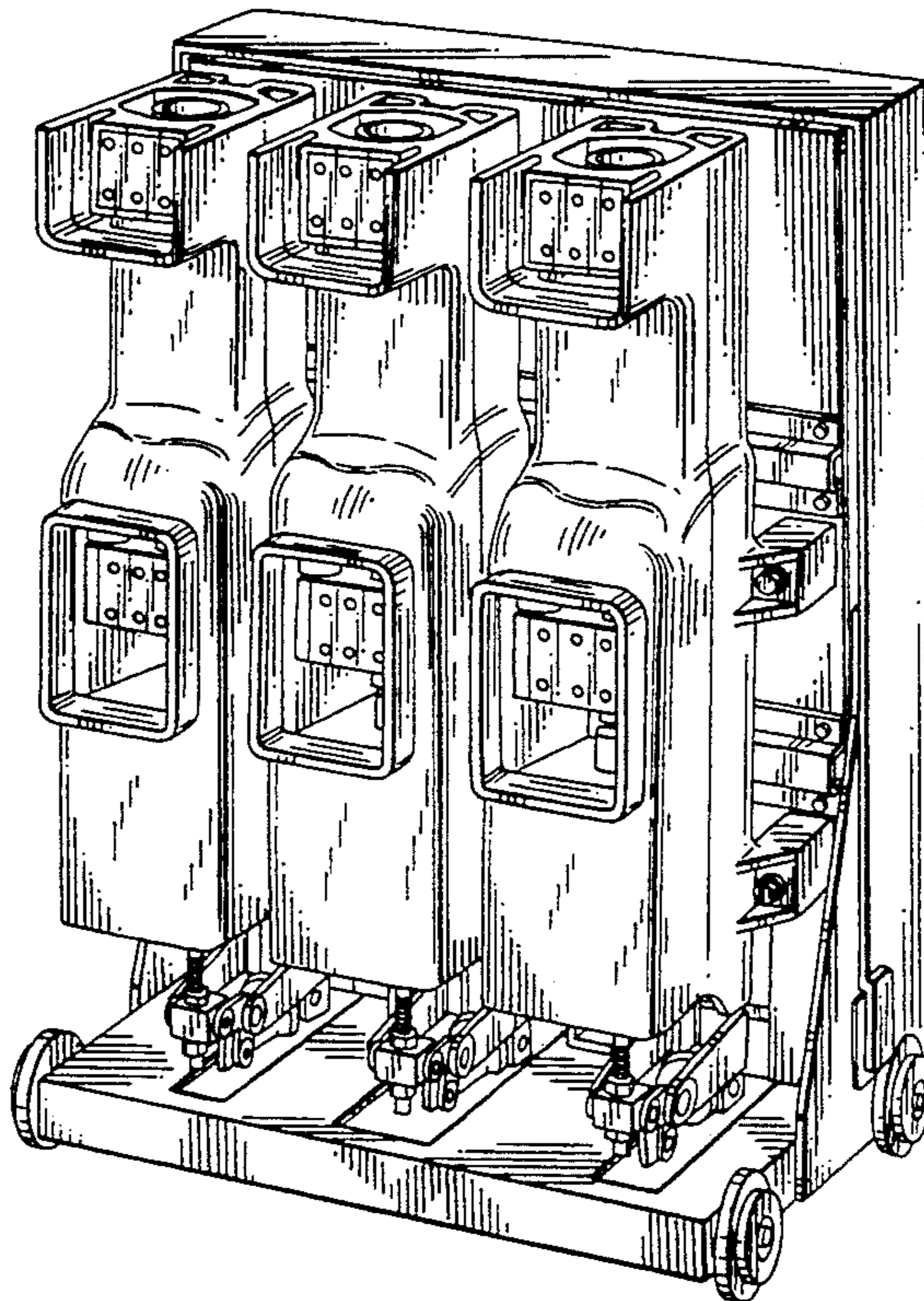


FIG. 2

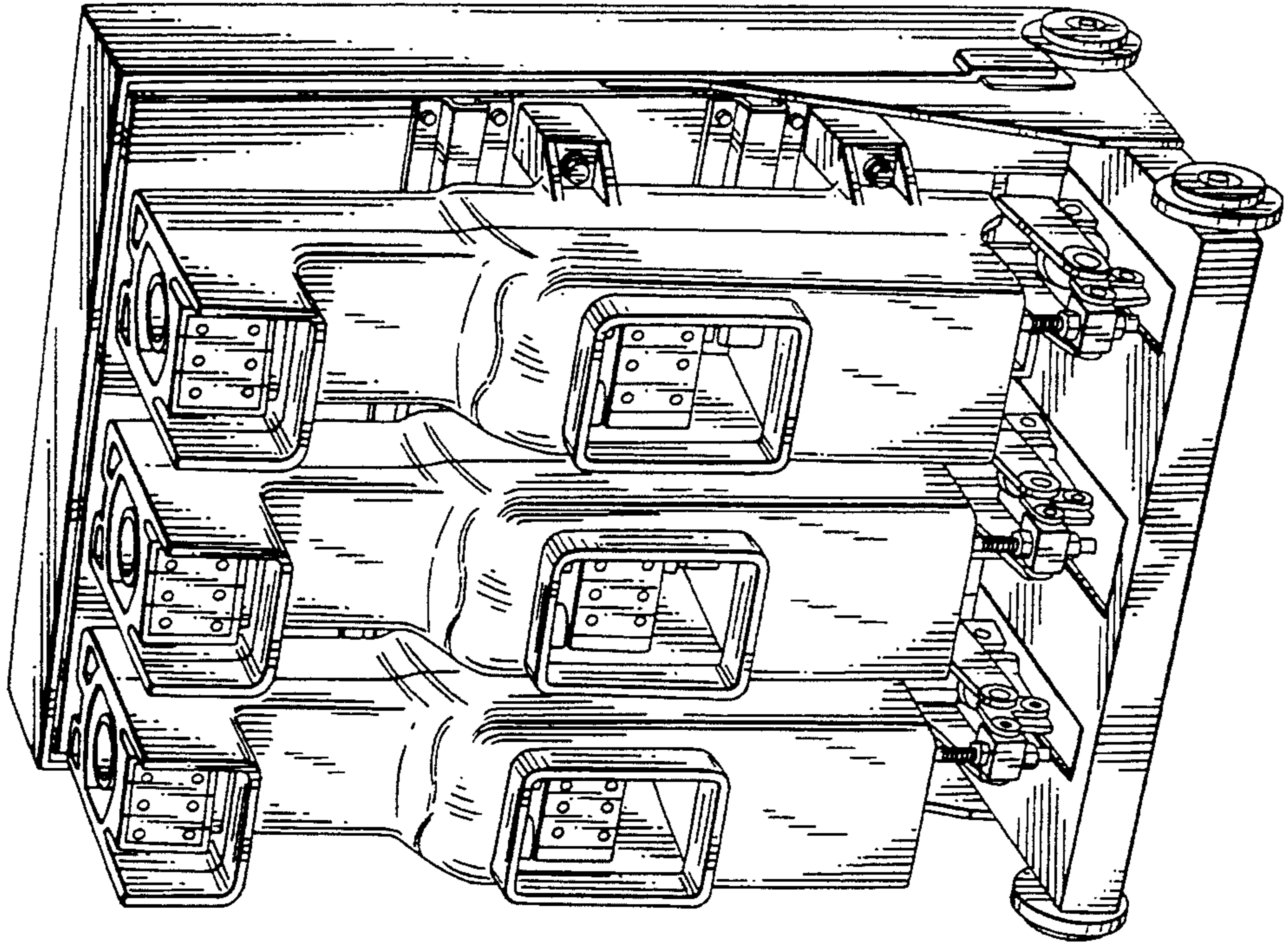


FIG. 1

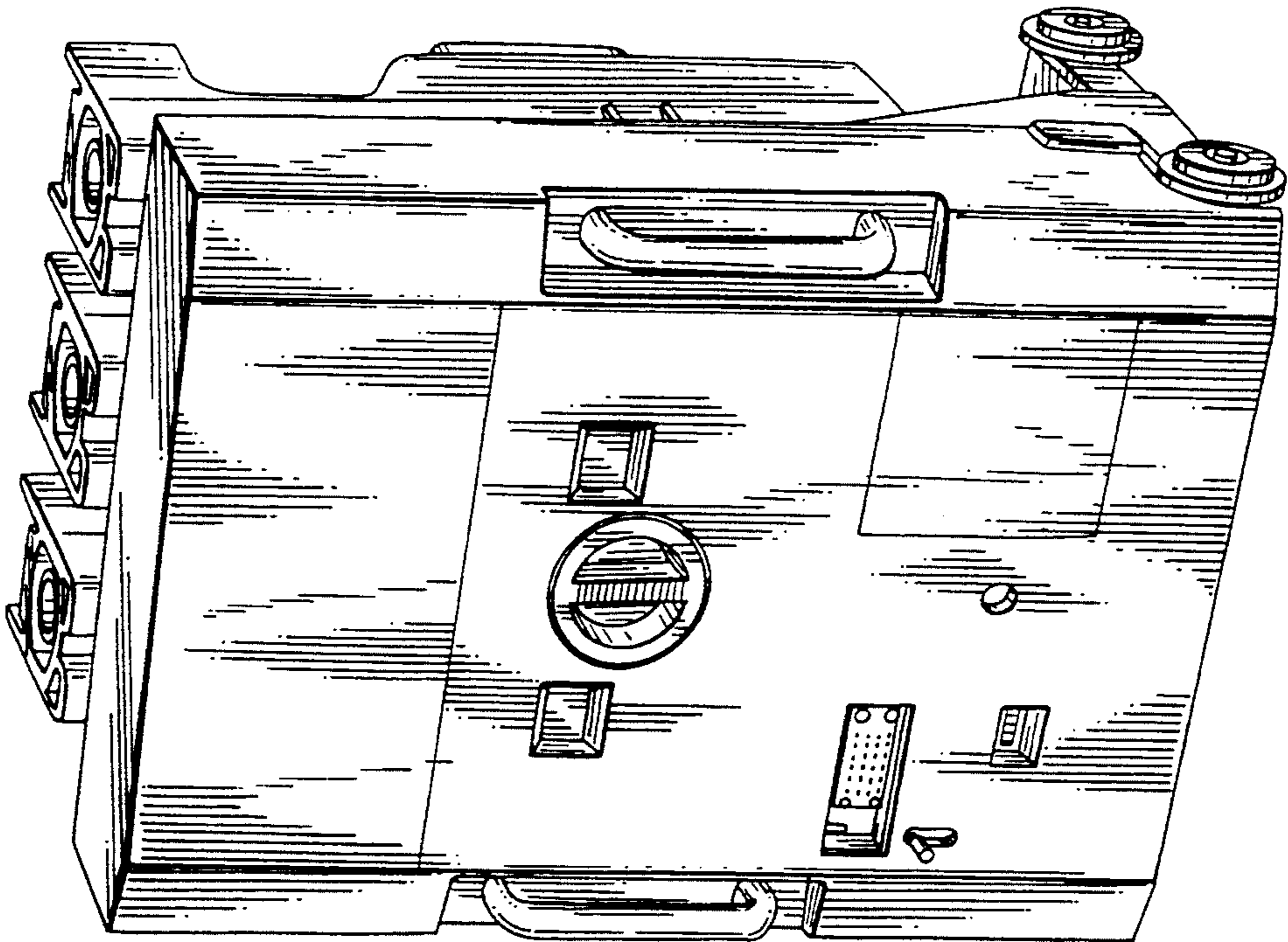


FIG. 4

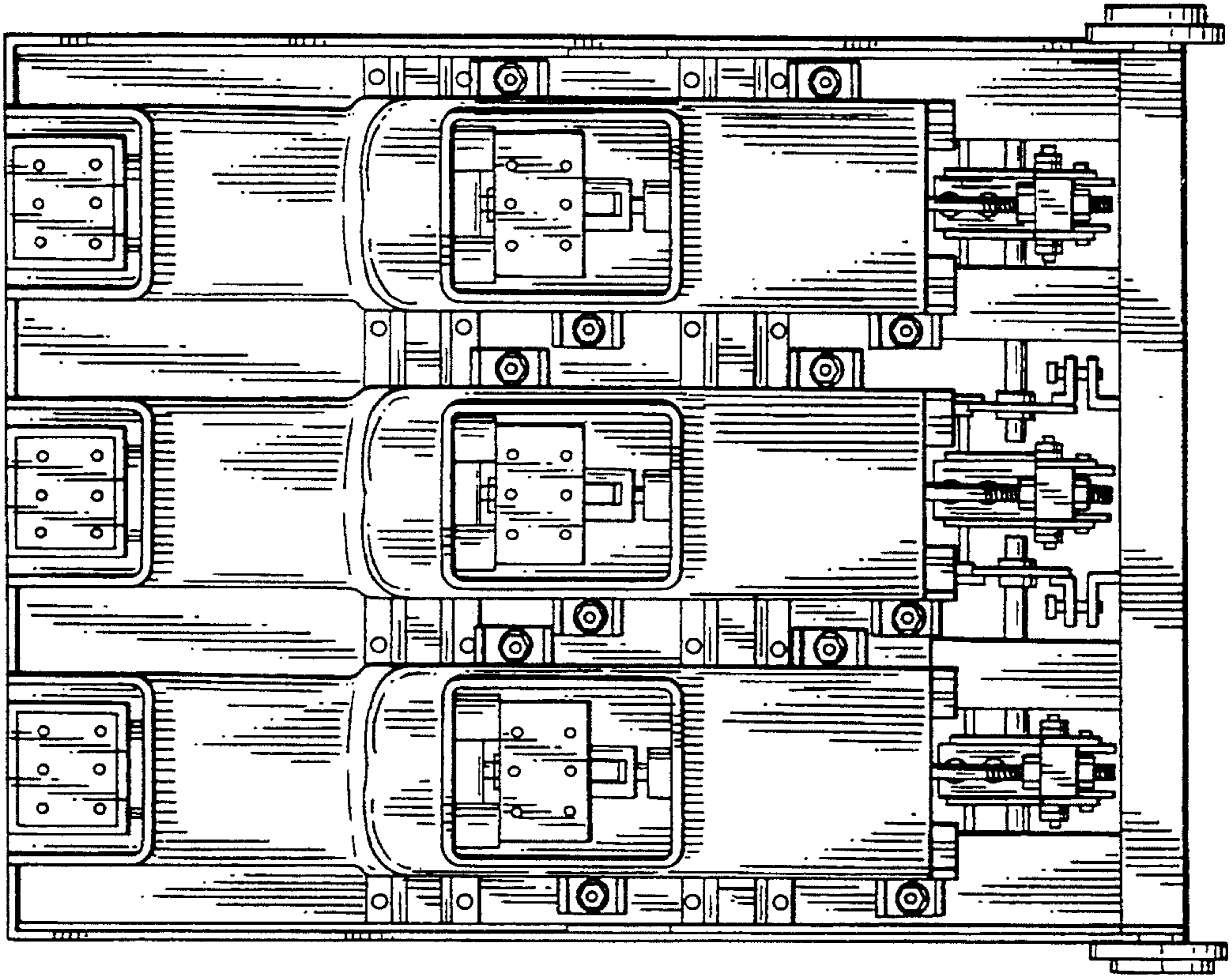


FIG. 3

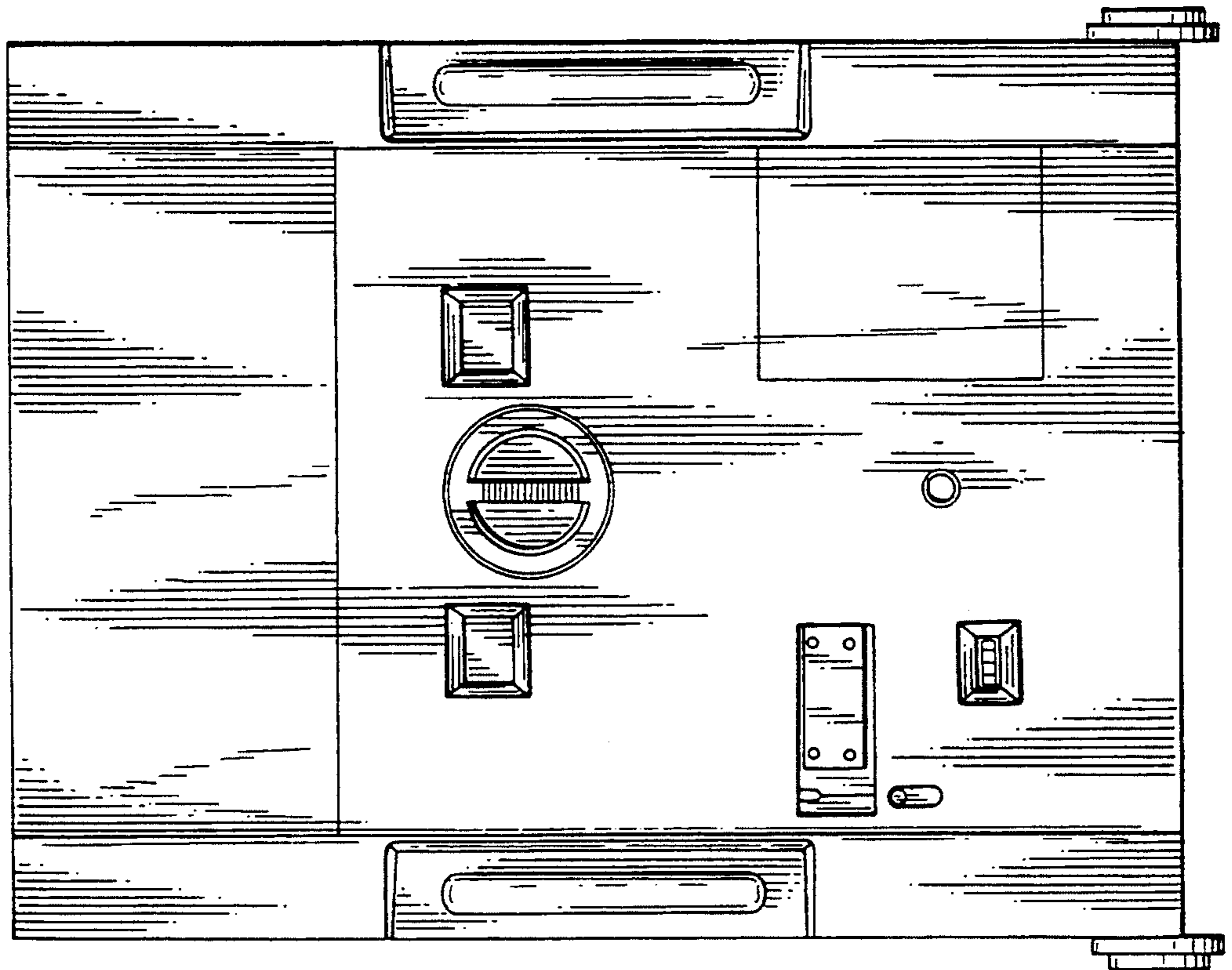


FIG. 6

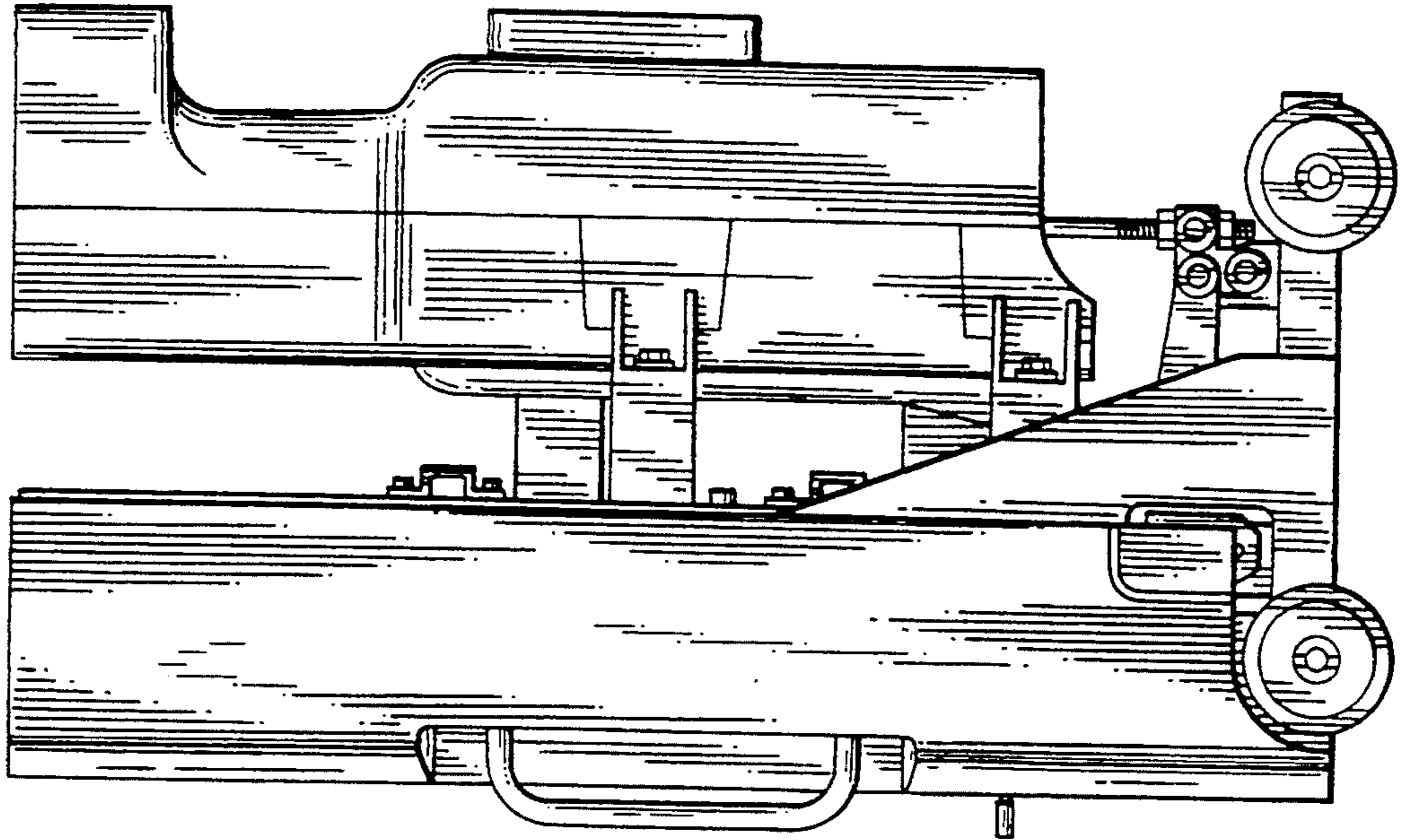


FIG. 5

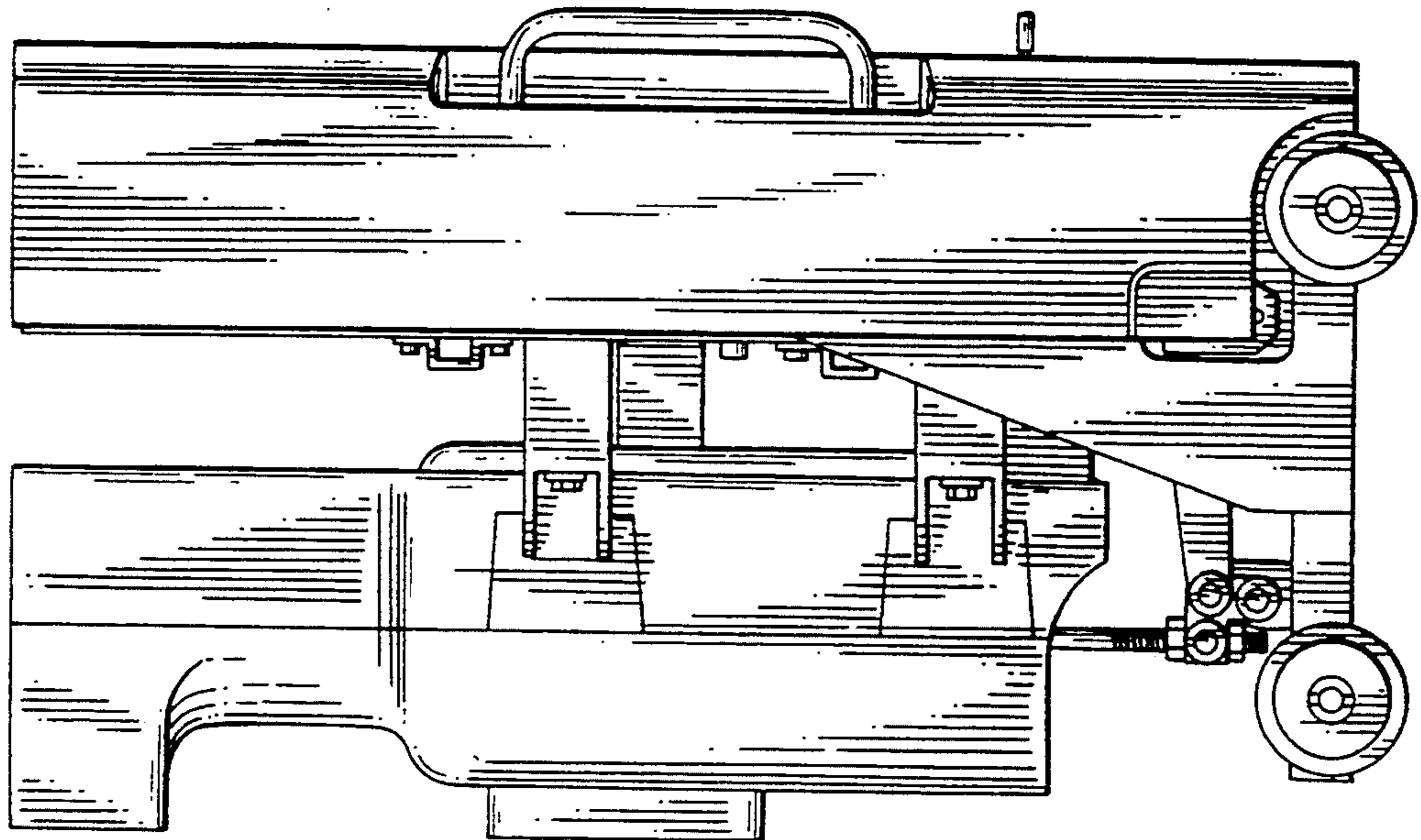


FIG. 7

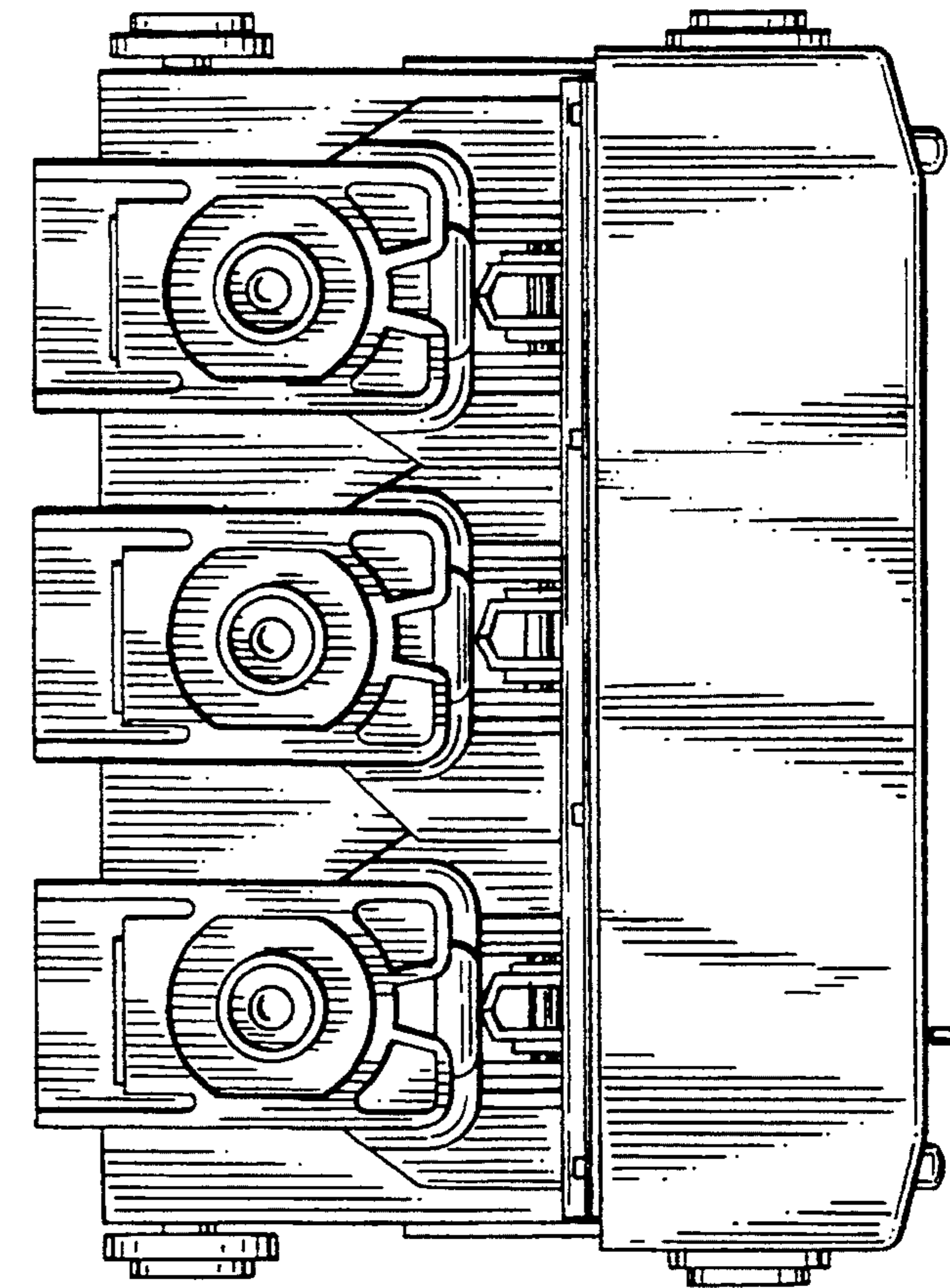


FIG. 8

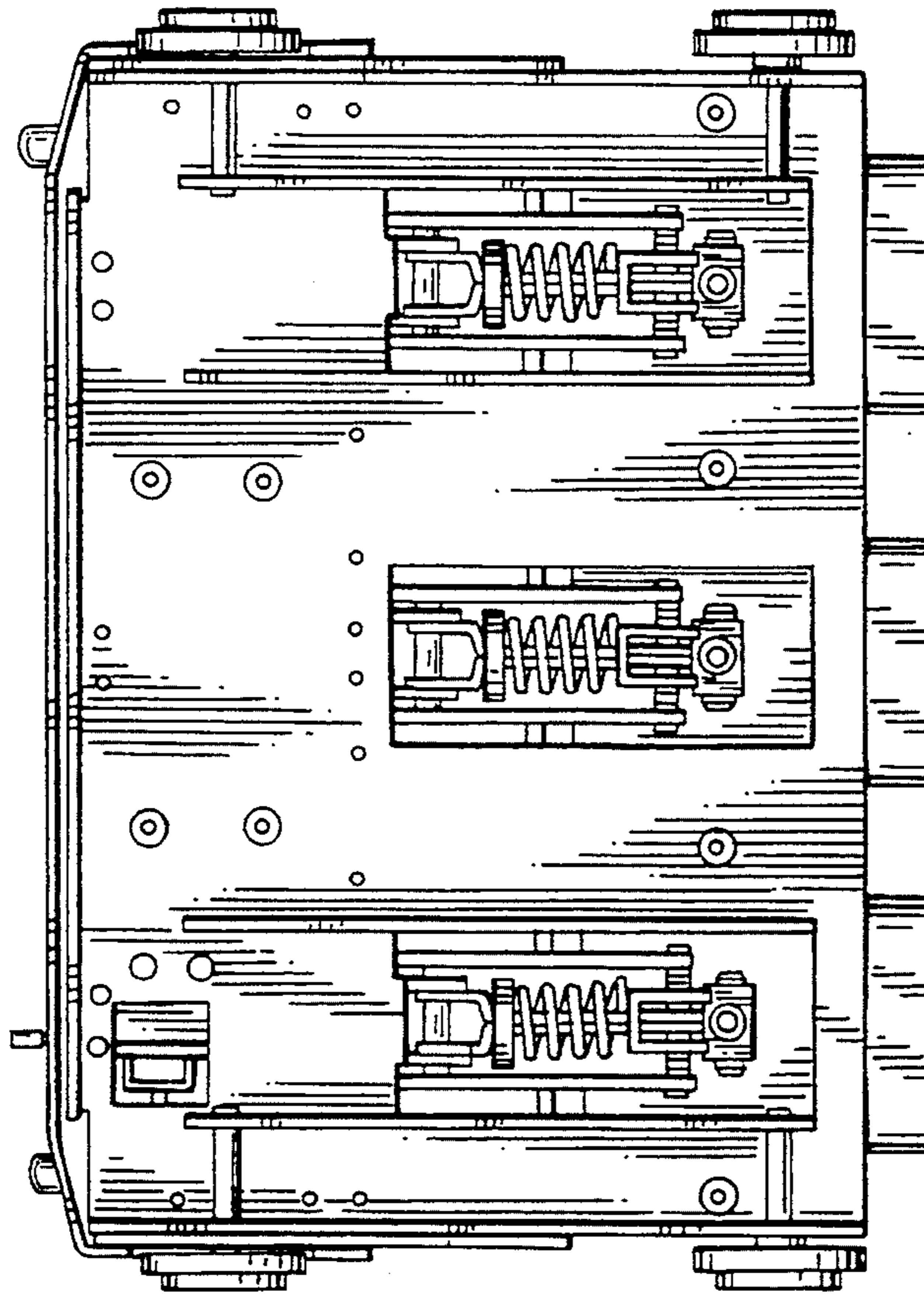


FIG. 9

