



US00D350728S

United States Patent [19]

[11] Patent Number: **Des. 350,728**

Goldbach et al.

[45] Date of Patent: **** Sep. 20, 1994**

[54] SURGE PROTECTOR HOUSING

[75] Inventors: **William R. Goldbach**, Seffner;
Thomas R. Conrad, both of Tampa,
Fla.

[73] Assignee: **L.E.A. Dynatech**, Tampa, Fla.

[**] Term: **14 Years**

[21] Appl. No.: **5,115**

[22] Filed: **Feb. 19, 1993**

[52] U.S. Cl. **D13/160**

[58] Field of Search 361/56, 91, 111, 117,
361/119, 127; 174/52.1, 52.2; 335/202;
307/115; D13/160

[56] References Cited

U.S. PATENT DOCUMENTS

4,107,567	8/1978	Cunningham et al.	361/117	X
4,168,480	9/1979	De Lucia	335/202	X
4,424,404	1/1984	Moore et al.	174/52.1	
4,439,807	3/1984	Reitz	361/127	
4,600,969	7/1986	Hendrickson	174/52.2	X
4,907,119	3/1990	Allina	361/56	
5,220,480	6/1993	Kershaw, Jr. et al.	361/91	X

OTHER PUBLICATIONS

"Tranquell ® Secondary Surge Arresters and Protective Capacitors", *General Electric*; 1988; vol. 5937, p. 3.

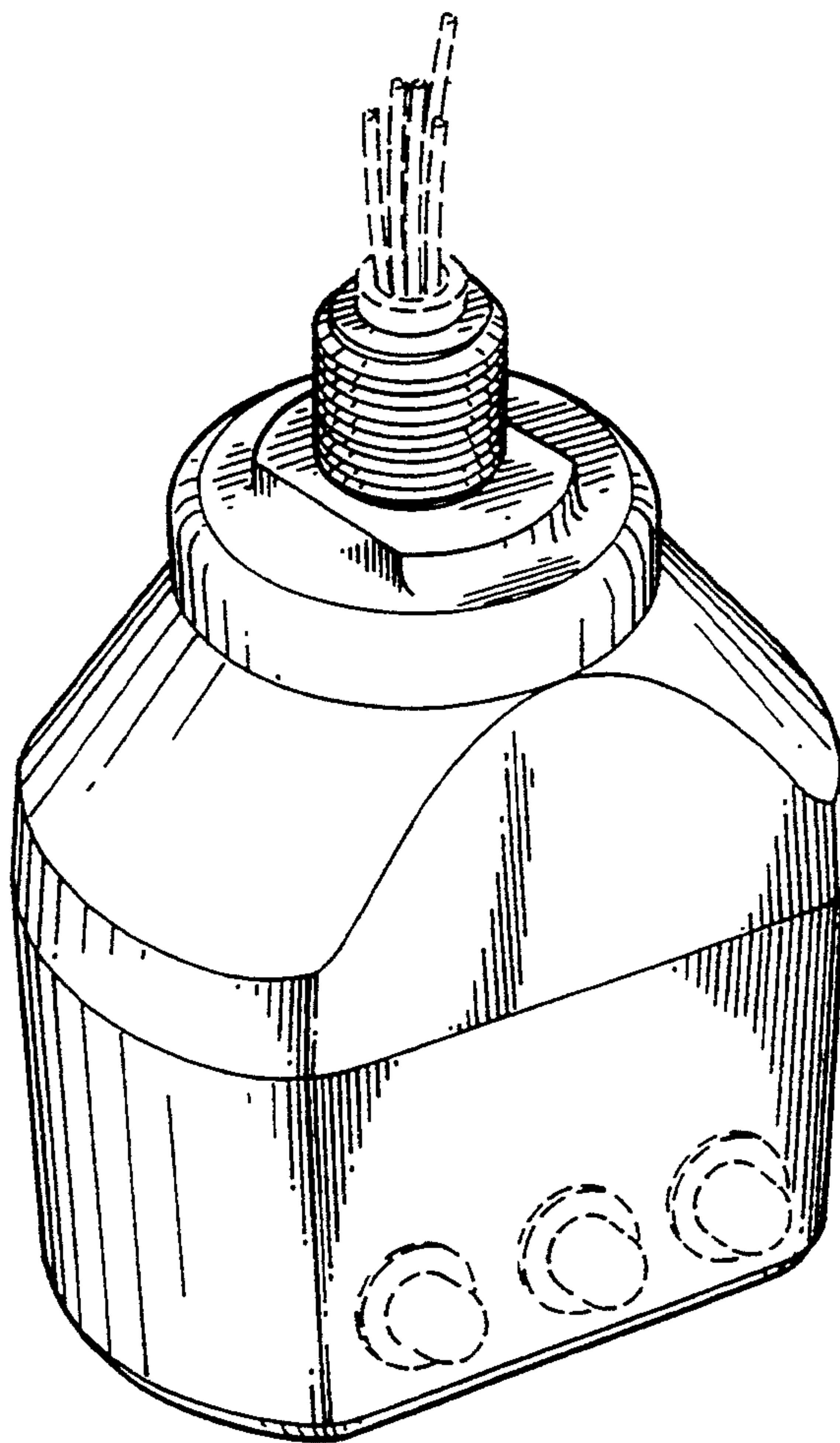
Primary Examiner—Wallace R. Burke
Assistant Examiner—Joel Sincavage
Attorney, Agent, or Firm—Oliff & Berridge

[57] CLAIM

The ornamental design for surge protector housing, as shown and described.

DESCRIPTION

FIG. 1 is a front and upper left perspective view of a surge protector housing showing our new design. The broken line showing throughout the views is included for the purpose of illustrating environmental structure only and forms no part of the claimed design;
FIG. 2 is a front view of the housing;
FIG. 3 is a back view of the housing;
FIG. 4 is a right side view of the housing, the left side being a mirror image of the right side;
FIG. 5 is a top view of the housing; and,
FIG. 6 is a bottom view of the housing.



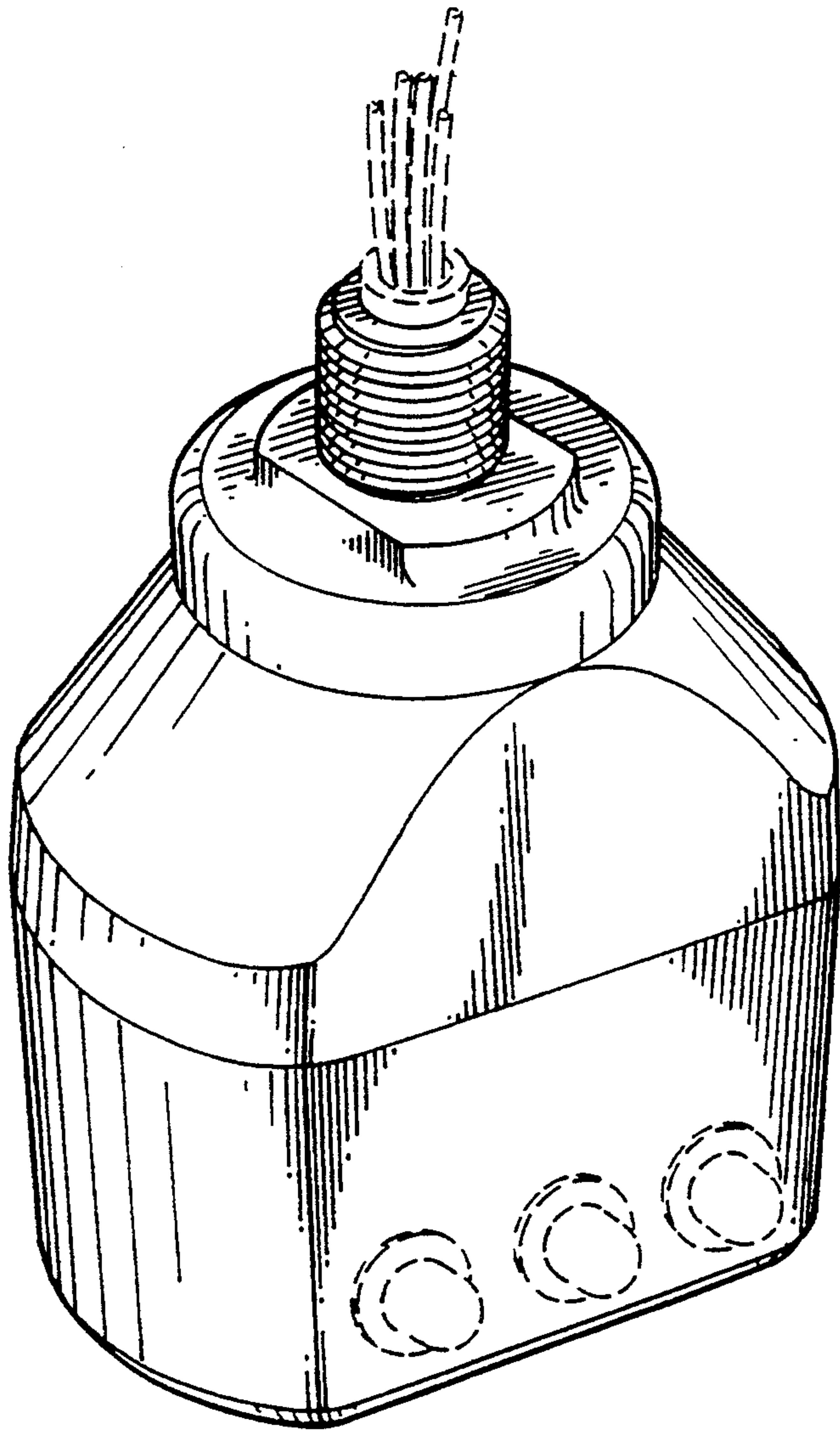


FIG. 1

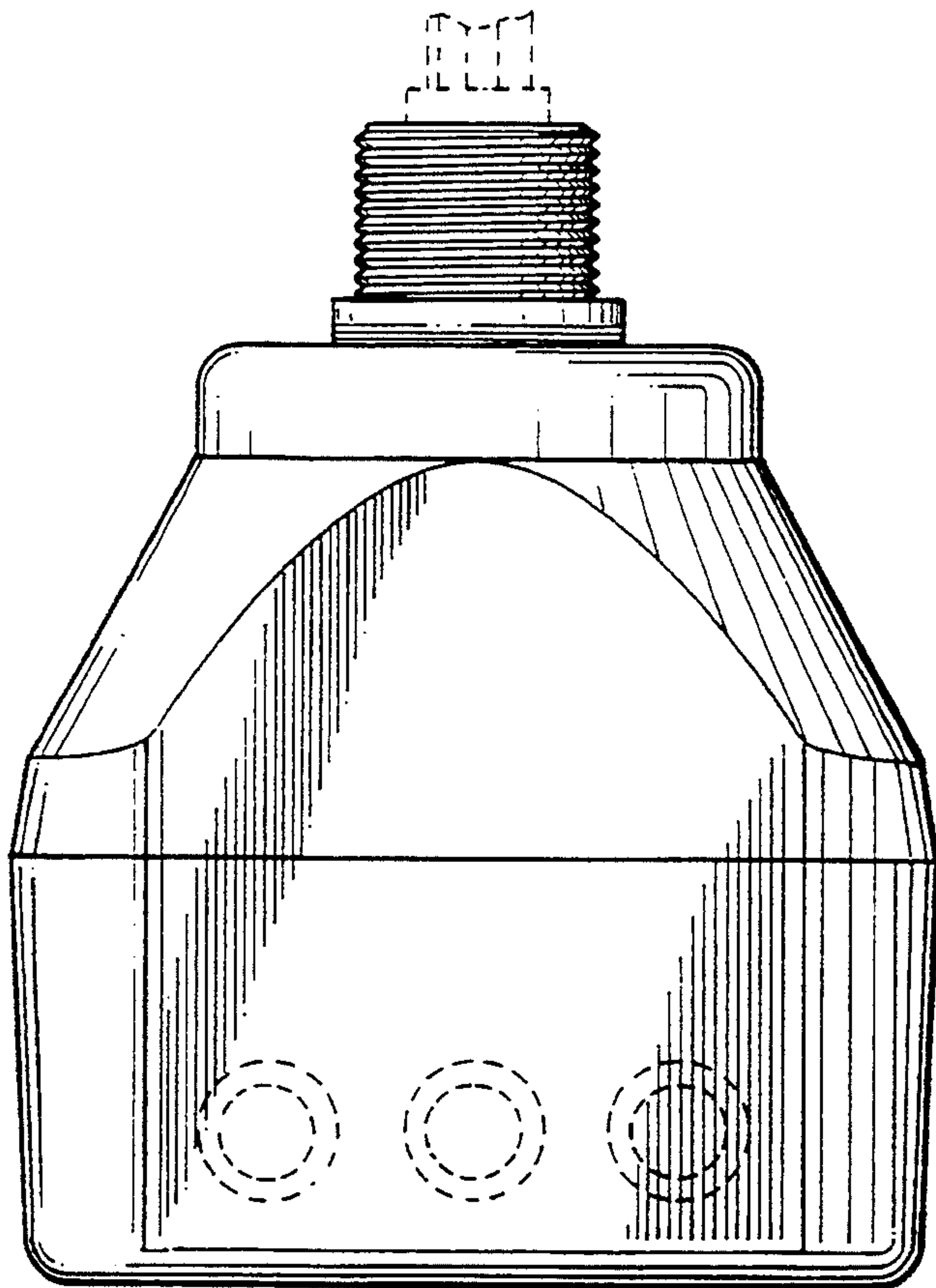


FIG. 2

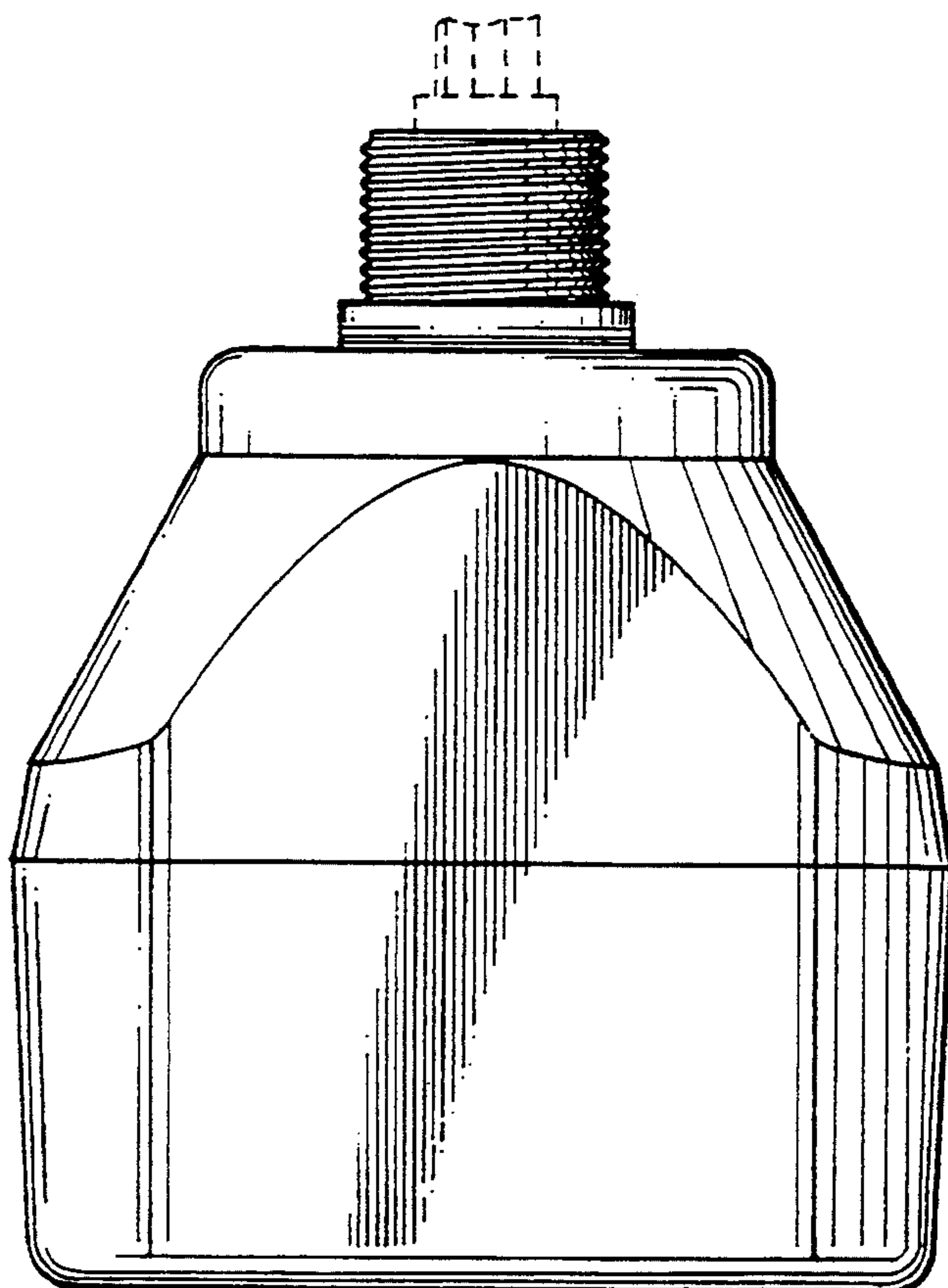


FIG. 3

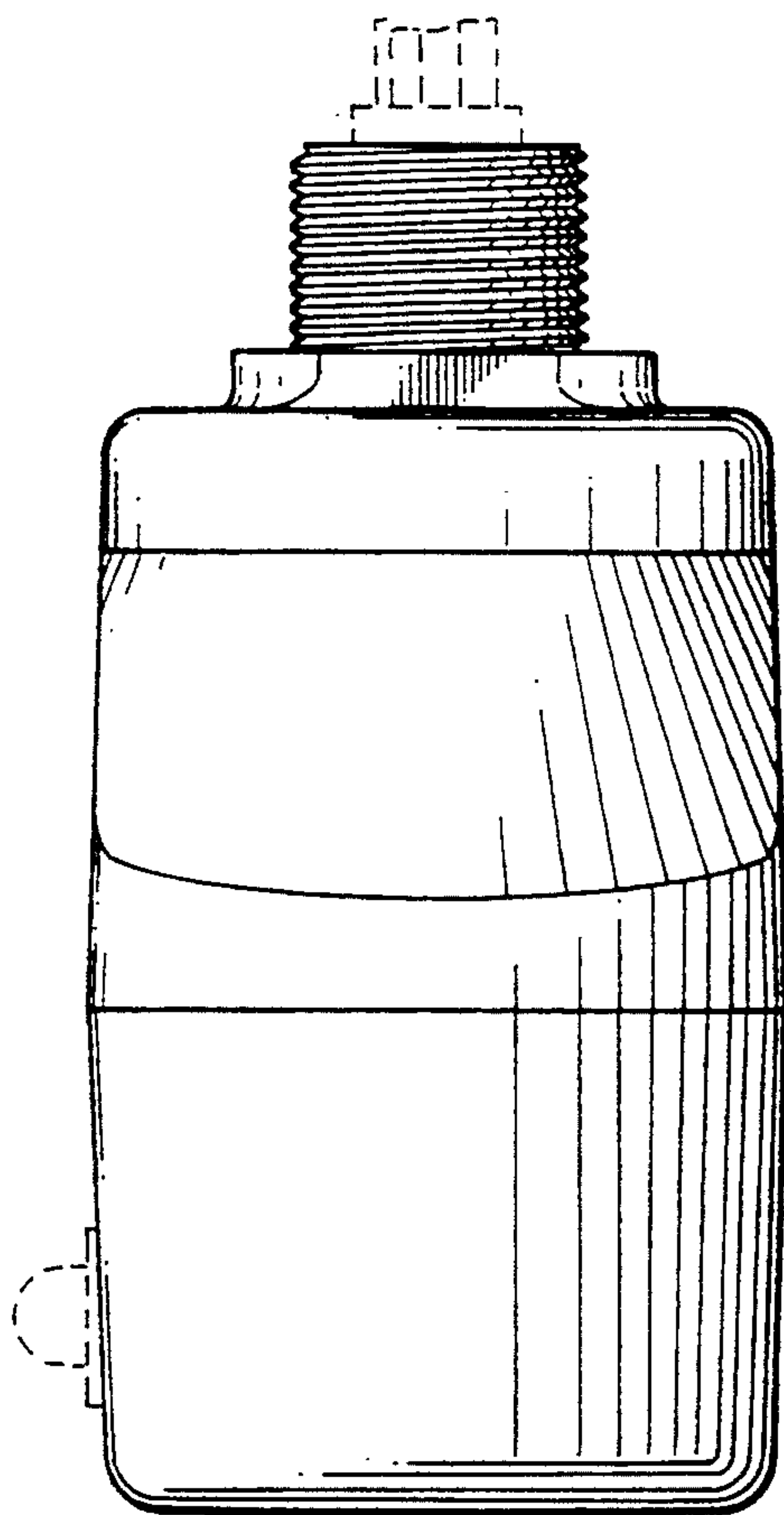


FIG. 4

FIG. 5

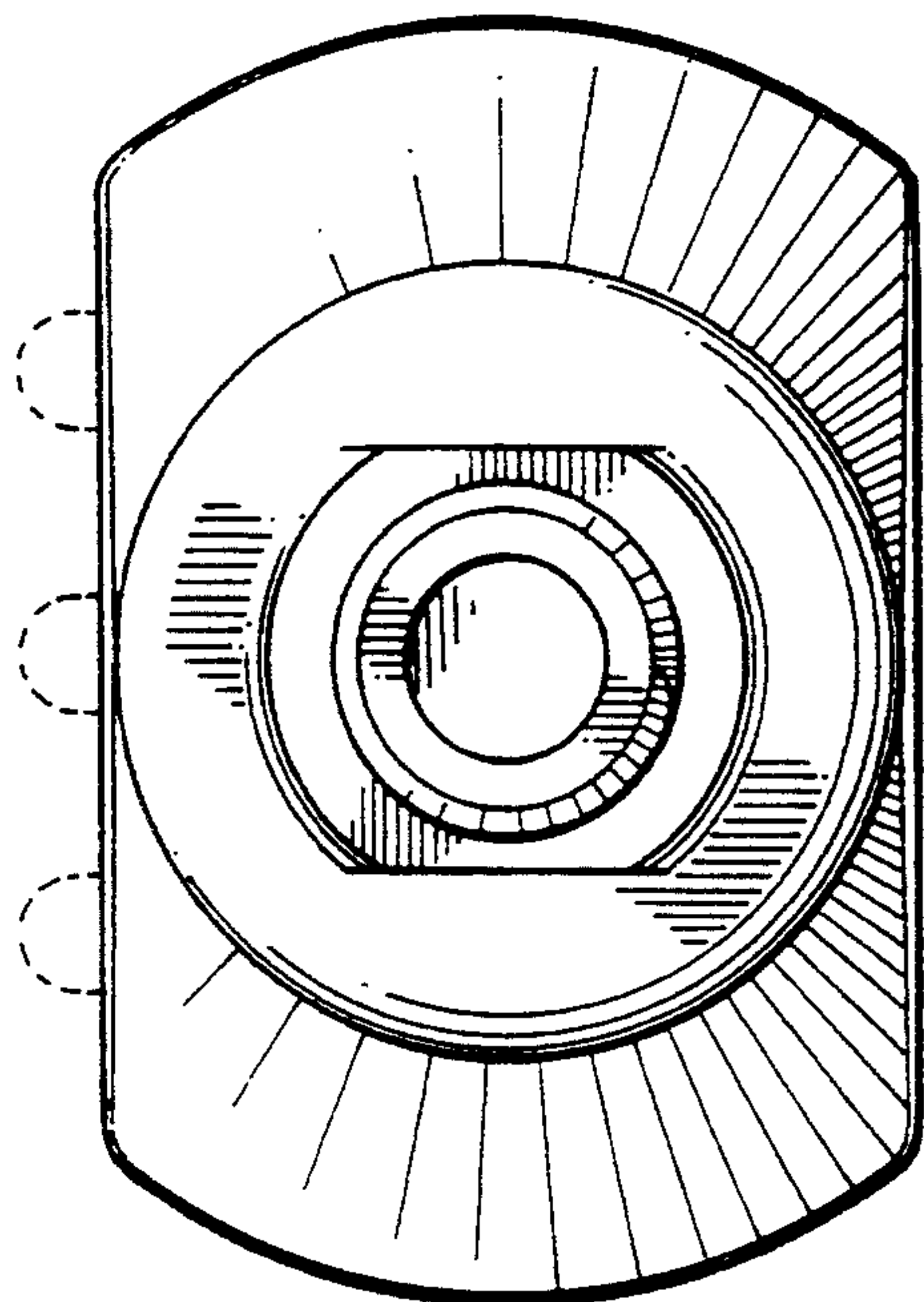


FIG. 6

