



US00D350727S

United States Patent [19]

[11] Patent Number: **Des. 350,727**

Landry et al.

[45] Date of Patent: **** Sep. 20, 1994**

[54] **FACIA PORTION OF AN ELECTRICAL SOCKET**

4,558,172	12/1985	Zetena	439/536 X
4,840,584	6/1989	Cox	439/557 X
4,846,698	7/1989	Staiger et al.	439/490 X
5,035,646	7/1991	Ehrenfels et al.	439/536
5,224,879	7/1993	Mullins et al.	439/668 X

[75] Inventors: **Guido J. H. P. Landry; Franco G. Pucci**, both of Durban, South Africa

[73] Assignee: **Control Logic (Proprietary) Limited**, Natal Province, South Africa

FOREIGN PATENT DOCUMENTS

3133153 3/1984 Fed. Rep. of Germany 439/490

[**] Term: **14 Years**

Primary Examiner—Wallace R. Burke

[21] Appl. No.: **2,967**

Assistant Examiner—Joel Sincavage

[22] Filed: **Dec. 23, 1992**

Attorney, Agent, or Firm—Birch, Stewart, Kolasch & Birch

[30] Foreign Application Priority Data

Nov. 13, 1992 [ZA] South Africa 92-1073

[52] U.S. Cl. **D13/146**

[58] Field of Search D8/352; 439/344, 490, 439/536, 557, 645, 668, 676, 680, 842, 844; D13/146, 147

[57] CLAIM

The ornamental design for facia portion of an electrical socket, as shown and described.

DESCRIPTION

FIG. 1 is a side view of a facia portion of an electrical socket showing our new design;

FIG. 2 is an isometric front view thereof. The broken line showing is included for the purpose of illustrating environmental structure only and forms no part of the claimed design;

FIG. 3 is a front view thereof.

[56] References Cited

U.S. PATENT DOCUMENTS

3,160,458	12/1964	Laudel, Jr., et al.	439/536
3,873,172	3/1975	Paullus	439/680 X

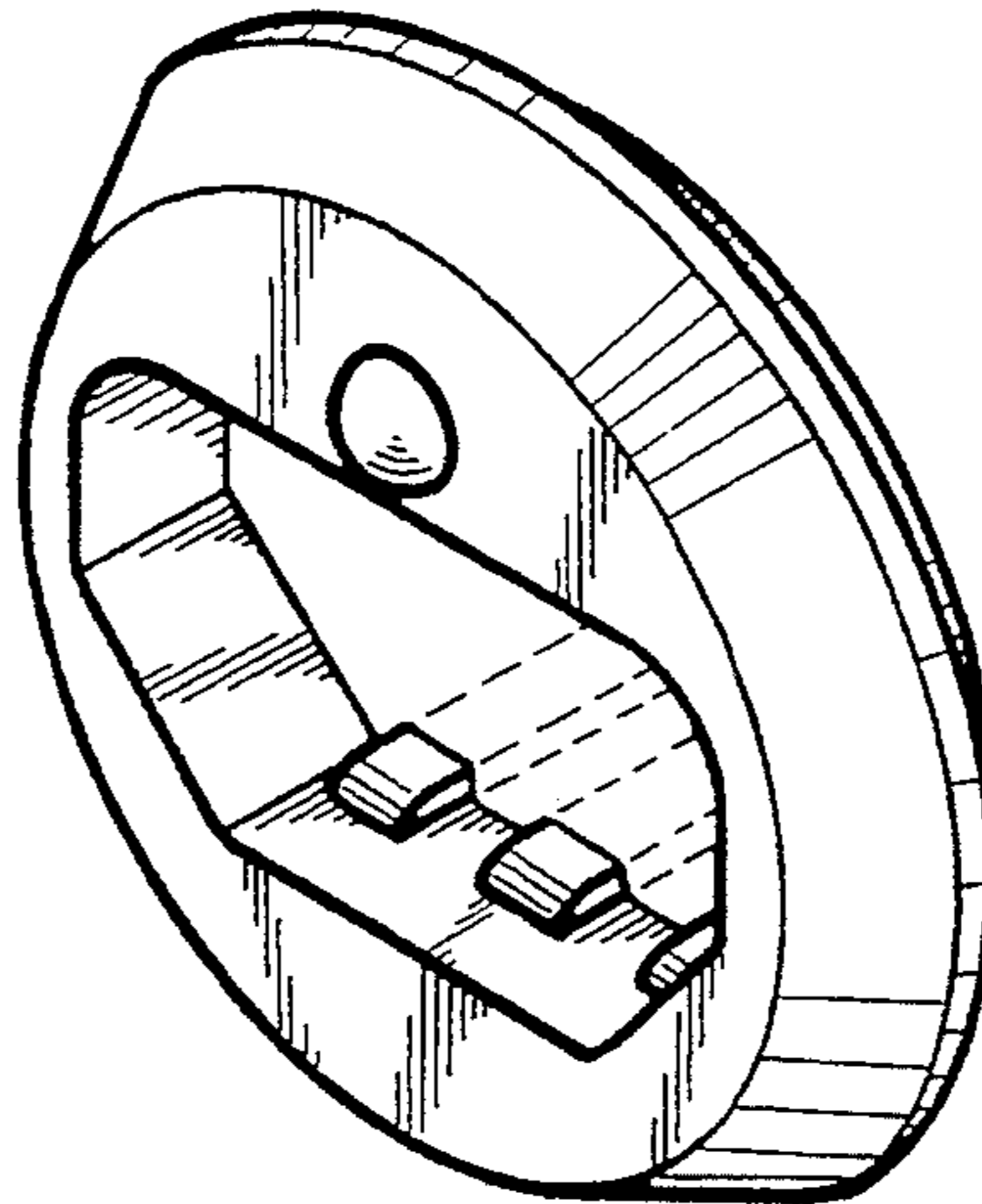




FIG. 1

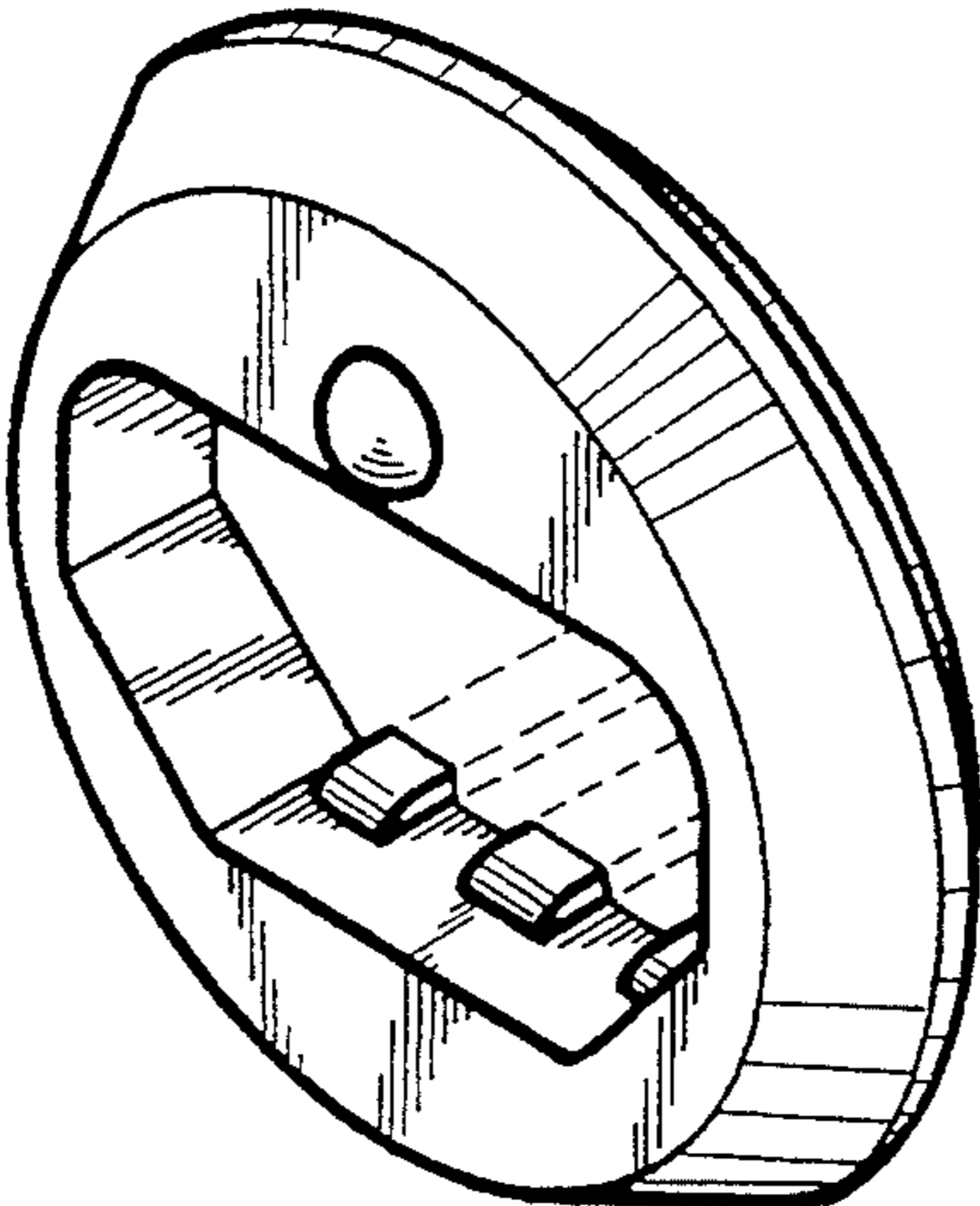


FIG. 2

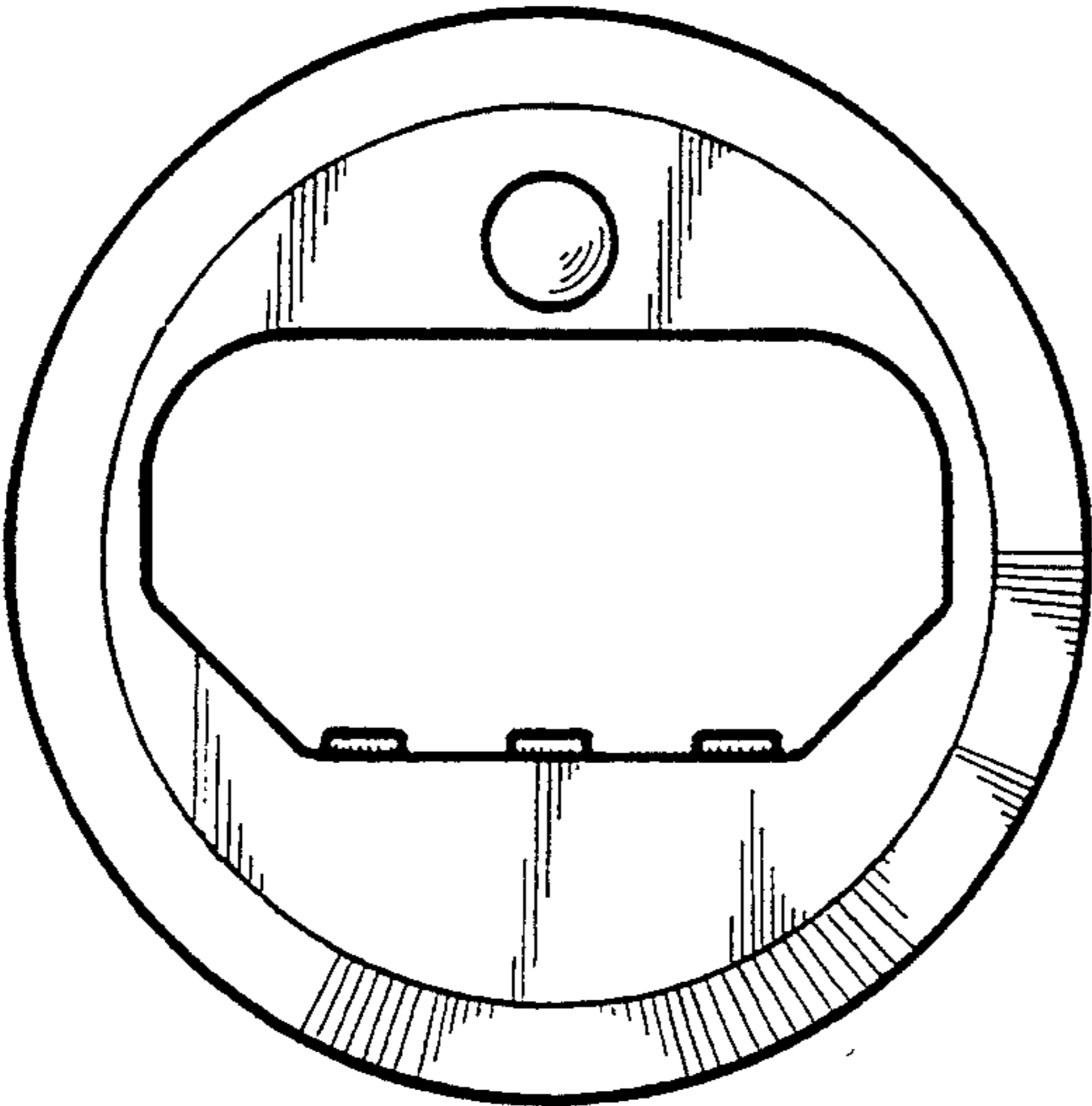


FIG. 3