



US00D350725S

United States Patent [19]

[11] Patent Number: Des. 350,725

Powers et al.

[45] Date of Patent: ** Sep. 20, 1994

[54] **ELECTRIC BATTERY**

[75] Inventors: **David K. Powers**, Bellevue; **Michael Mahan**, Issaquah; **David Persen**, Bellevue; **Thomas Clary**, Issaquah, all of Wash.

[73] Assignee: **Power Battery Holdings Corporation**, Bellevue, Wash.

[**] Term: **14 Years**

[21] Appl. No.: **8,114**

[22] Filed: **May 7, 1993**

[52] U.S. Cl. **D13/103**

[58] Field of Search 429/7, 96, 97, 99, 100, 429/163, 164, 175, 176; 320/2; D13/103

[56] **References Cited**

U.S. PATENT DOCUMENTS

- D. 222,148 10/1971 Quinn D13/107
- D. 231,990 7/1974 Peasley D13/119
- 2,876,410 3/1959 Fry 320/48

- 4,489,268 12/1984 Beachy 320/2
- 4,622,507 11/1986 Persen 320/2
- 4,644,244 2/1987 Kittelson 429/100 X
- 5,057,381 10/1991 Persen 429/7

FOREIGN PATENT DOCUMENTS

- 69777 6/1981 Japan 429/7

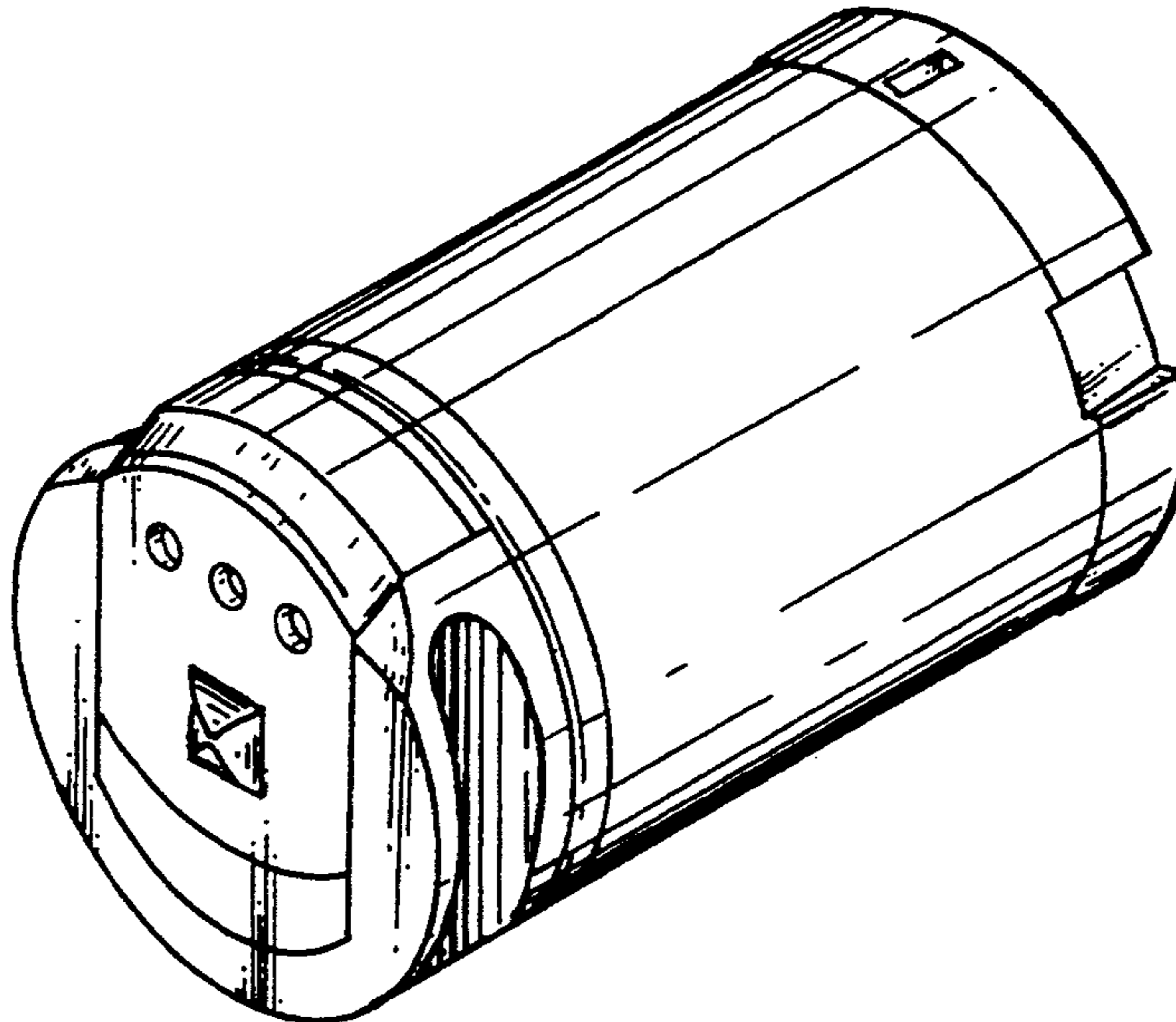
Primary Examiner—Wallace R. Burke
Assistant Examiner—Joel Sincavage
Attorney, Agent, or Firm—William J. McNichol, Jr.

[57] **CLAIM**

The ornamental design for an electric battery, as shown and described.

DESCRIPTION

FIG. 1 is a front elevational view of an electric battery according to the present invention; FIG. 2 is a side elevational view; FIG. 3 is a perspective view; FIG. 4 is a top view; and, FIG. 5 is a bottom view.



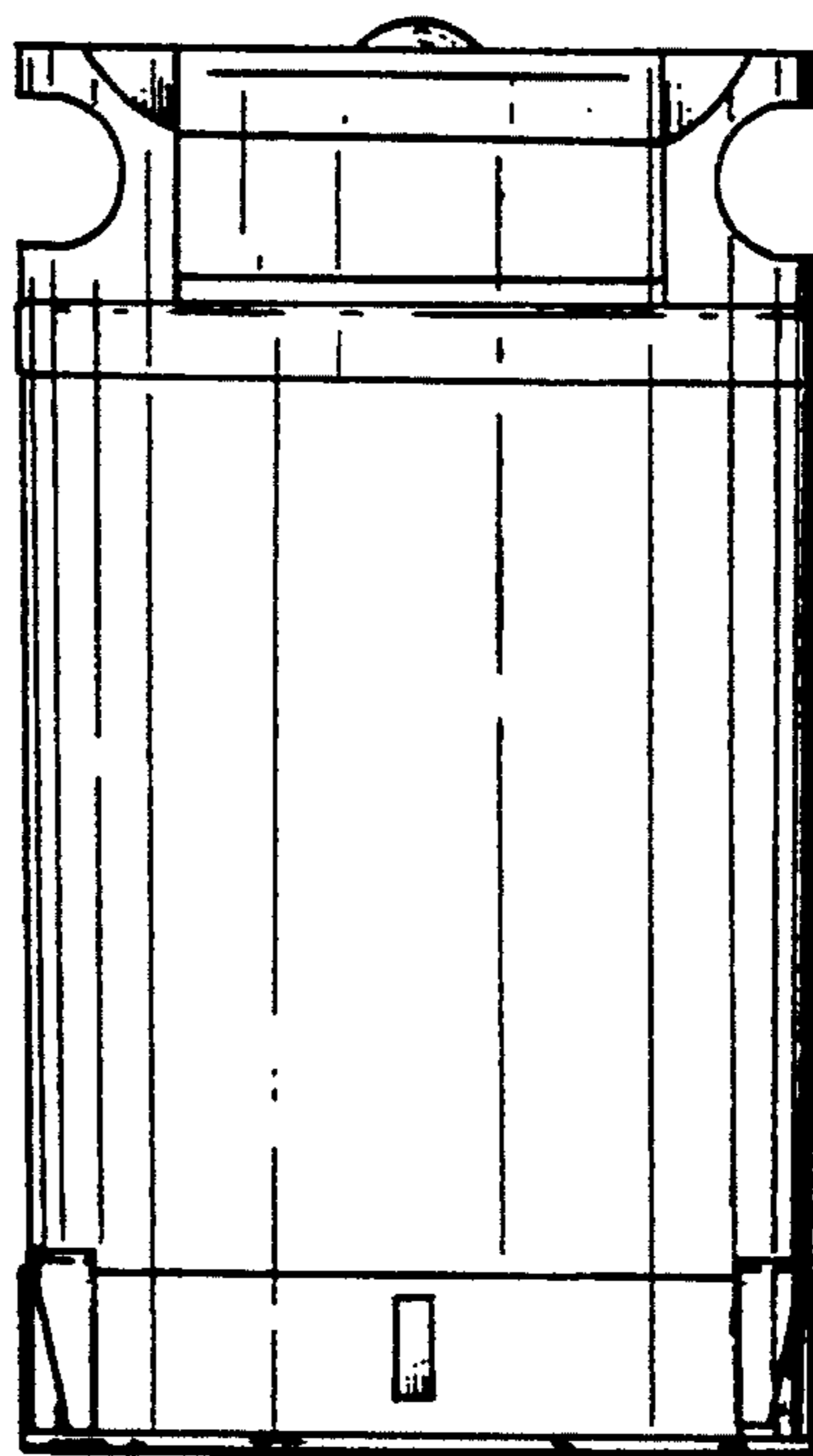


FIG. 1

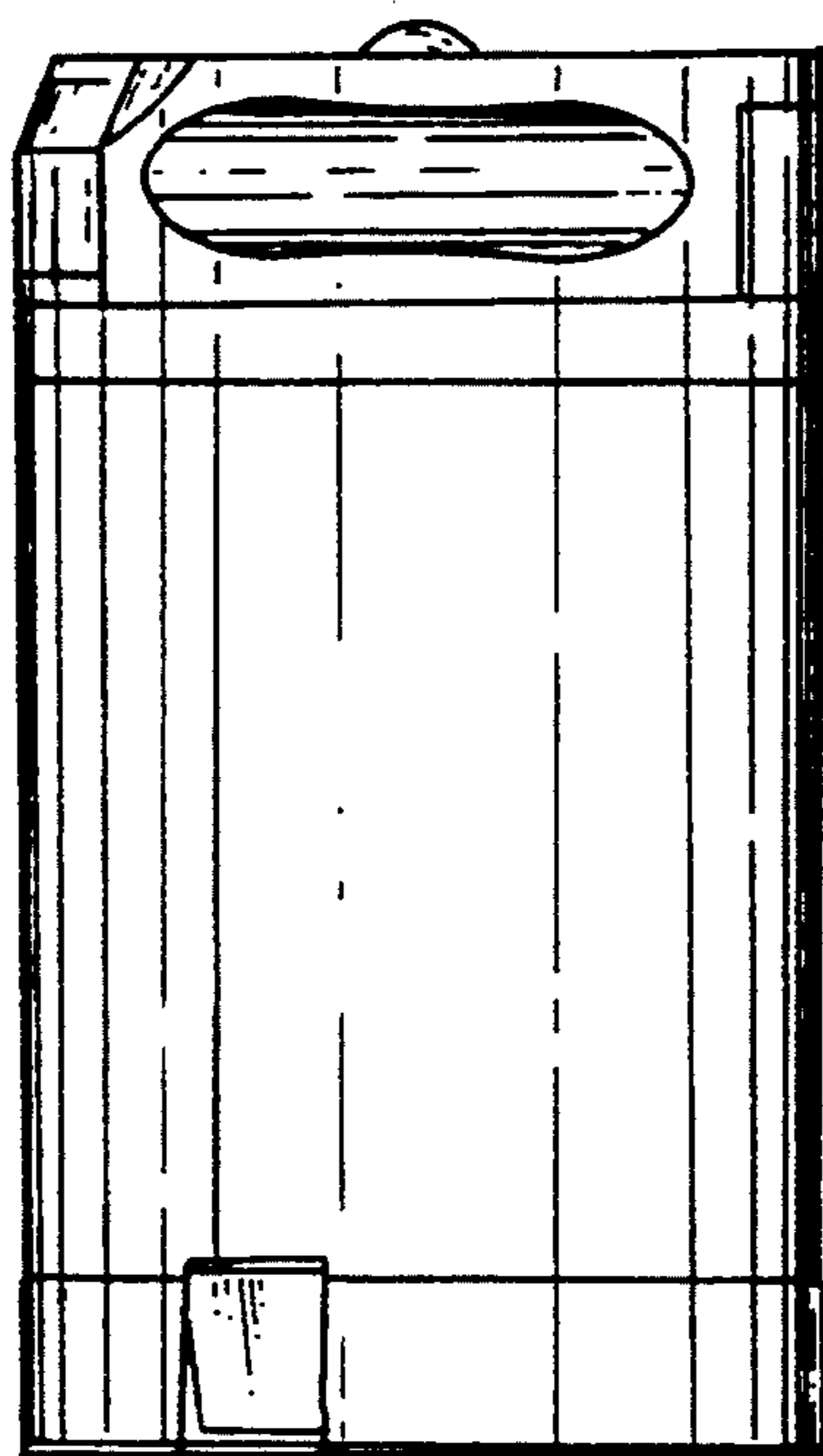


FIG. 2

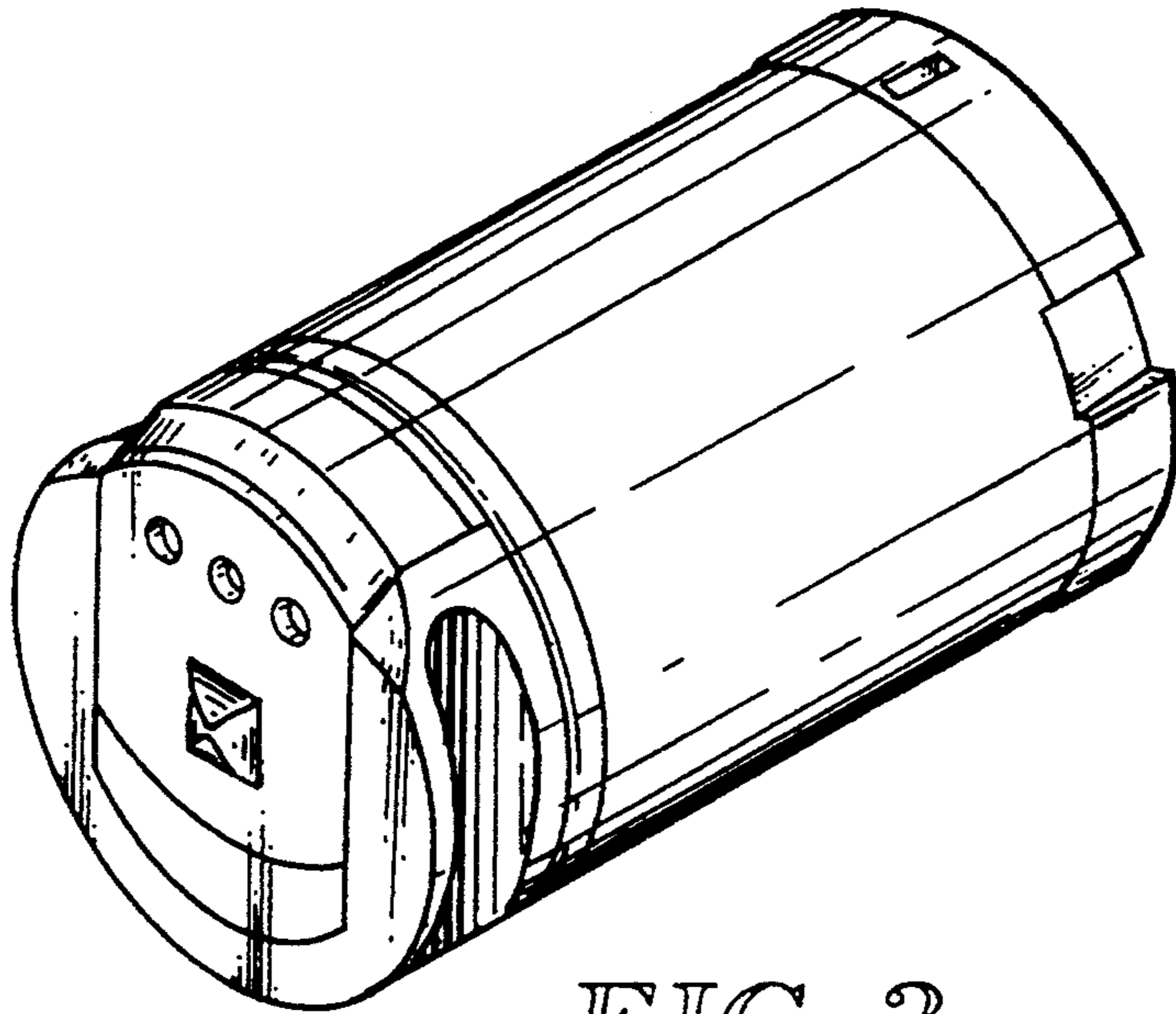


FIG. 3

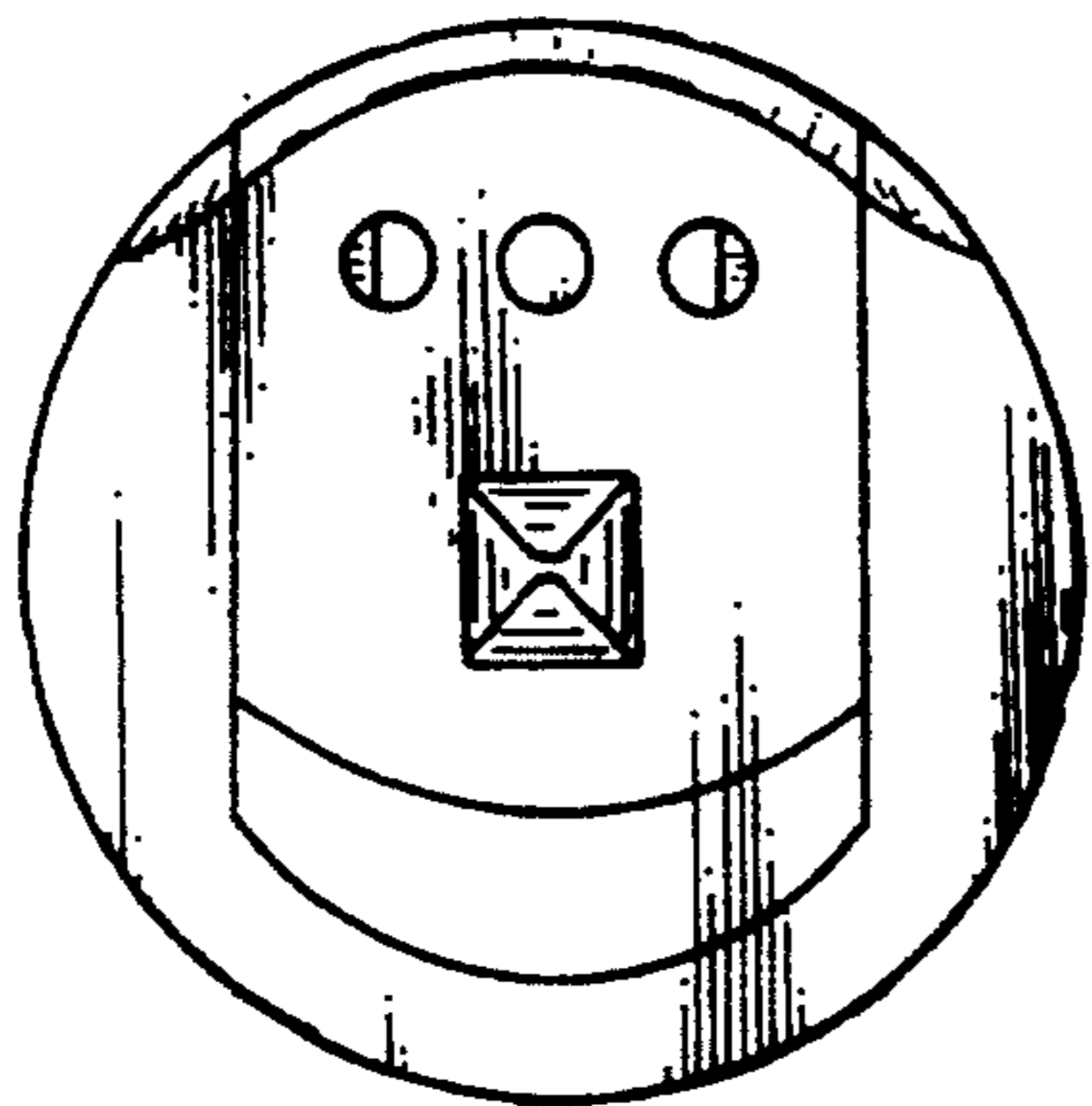


FIG. 4

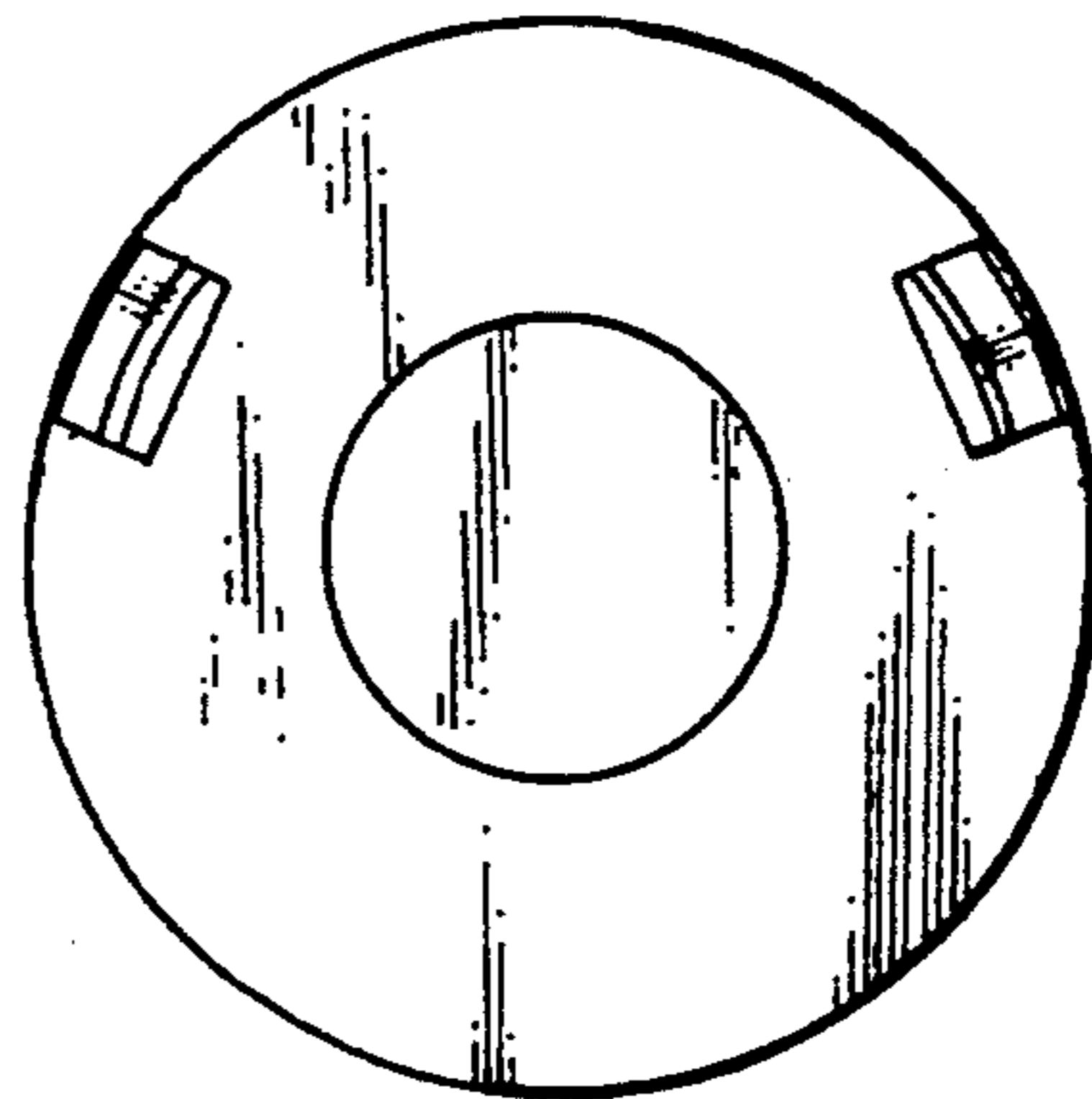


FIG. 5