



US00D350714S

United States Patent [19]

[11] Patent Number: **Des. 350,714**

Maxwell et al.

[45] Date of Patent: **** Sep. 20, 1994**

[54] **TIRE TREAD**

[75] Inventors: **Paul B. Maxwell, Mamer, Luxembourg; Sean D. Montag, Westerville, Ohio**

[73] Assignee: **The Goodyear Tire & Rubber Company, Akron, Ohio**

[**] Term: **14 Years**

[21] Appl. No.: **6,648**

[22] Filed: **Apr. 2, 1993**

[52] U.S. Cl. **D12/146**

[58] Field of Search **152/209 R, 209 A, 209 B, 152/209 D; D12/136, 140, 146-151**

[56] **References Cited**

U.S. PATENT DOCUMENTS

4,649,976 3/1987 Cherveney et al. 152/209 R

OTHER PUBLICATIONS

1992 Tread Design Guide, p. 194, Michelin XL Tire &

XR Tire, Second Row Down From Top, Center & Left Center of Page.

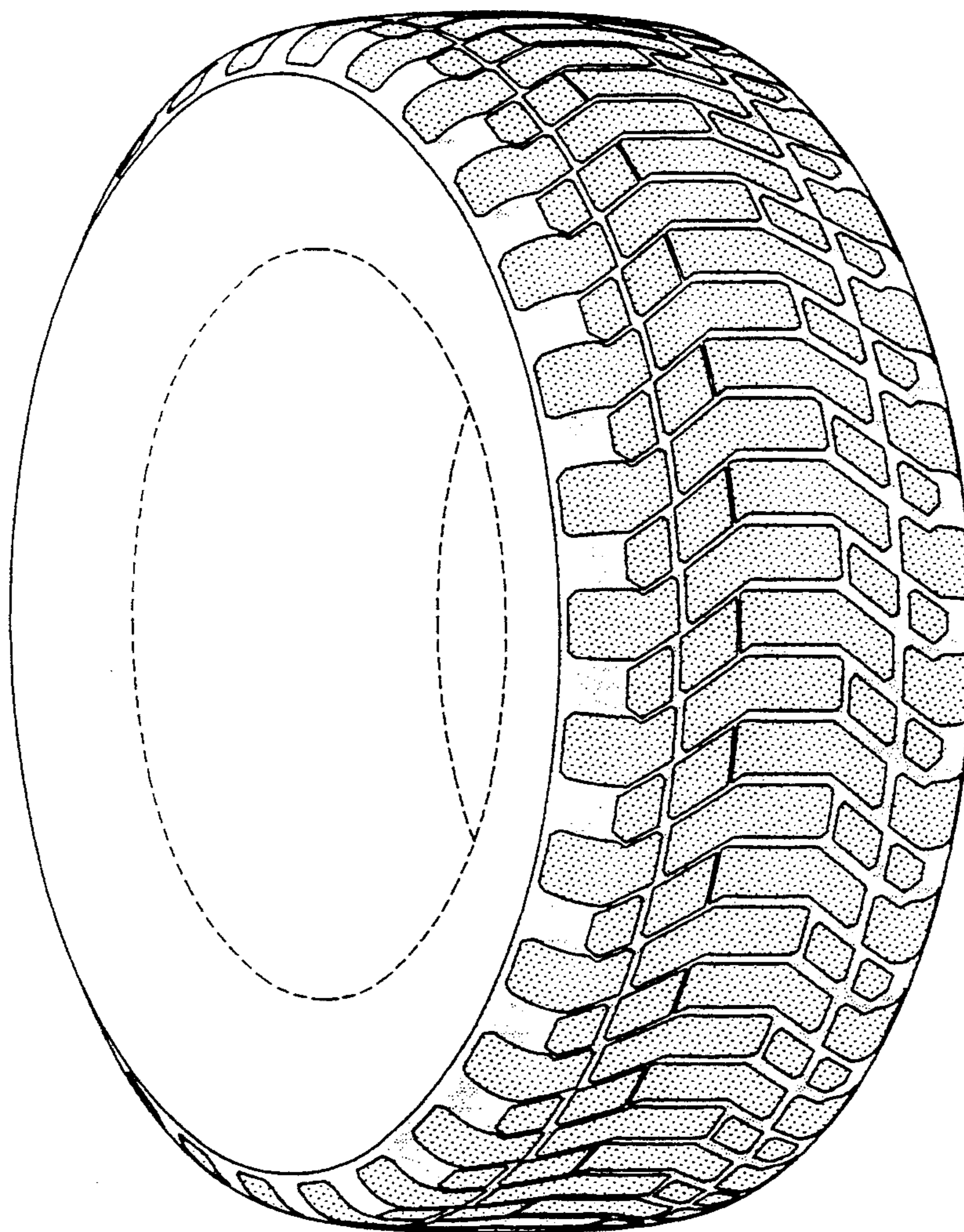
Primary Examiner—James M. Gandy
Attorney, Agent, or Firm—T. P. Lewandowski

[57] **CLAIM**

The ornamental design for a tire tread, as shown and described.

DESCRIPTION

FIG. 1 is a front elevational view of a tire tread showing our new design it being understood that the pattern is repeated throughout the circumference thereof; FIG. 2 is a perspective view thereof; FIG. 3 is another perspective view thereof; FIG. 4 is side elevational view thereof; FIG. 5 is another side elevational view thereof. In the drawings, the broken line showing of the tire sidewall and the solid line defining the peripheral boundary between the tire tread and the sidewall are for illustrative purposes only and form no part of the claimed design.



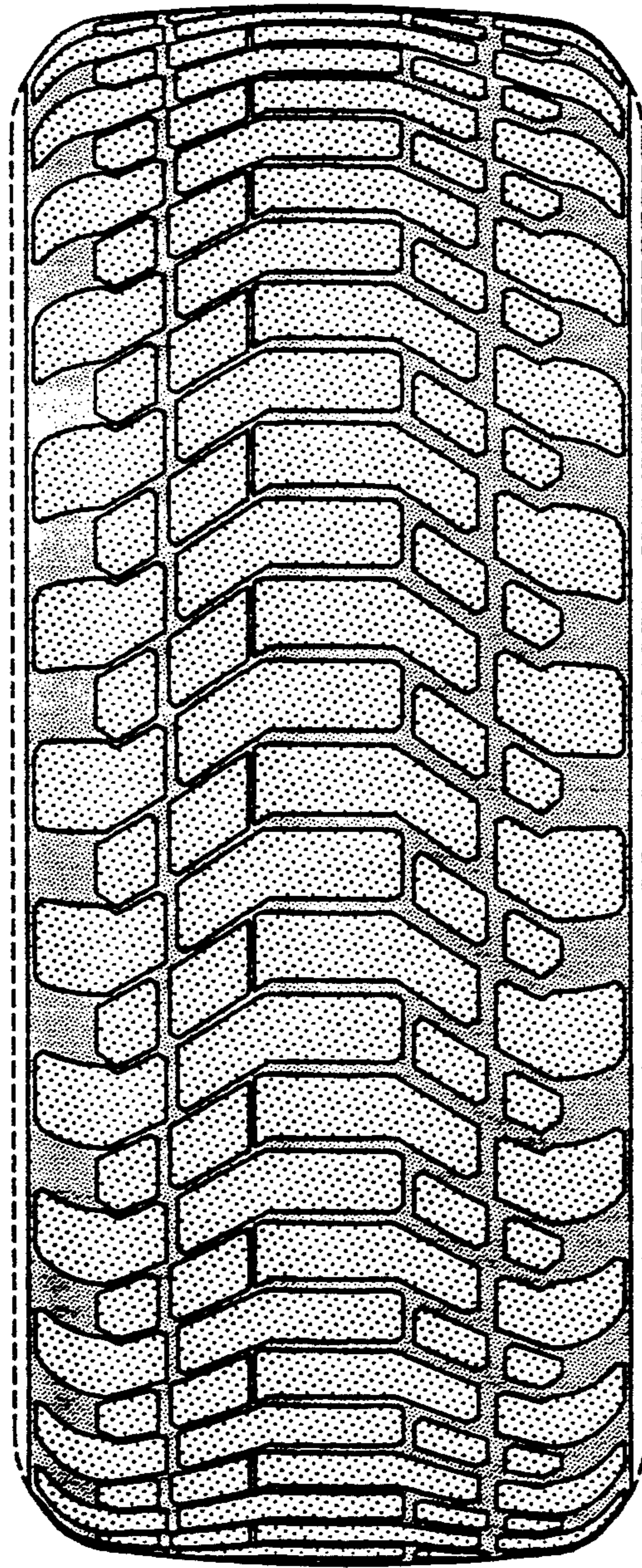


FIG-1

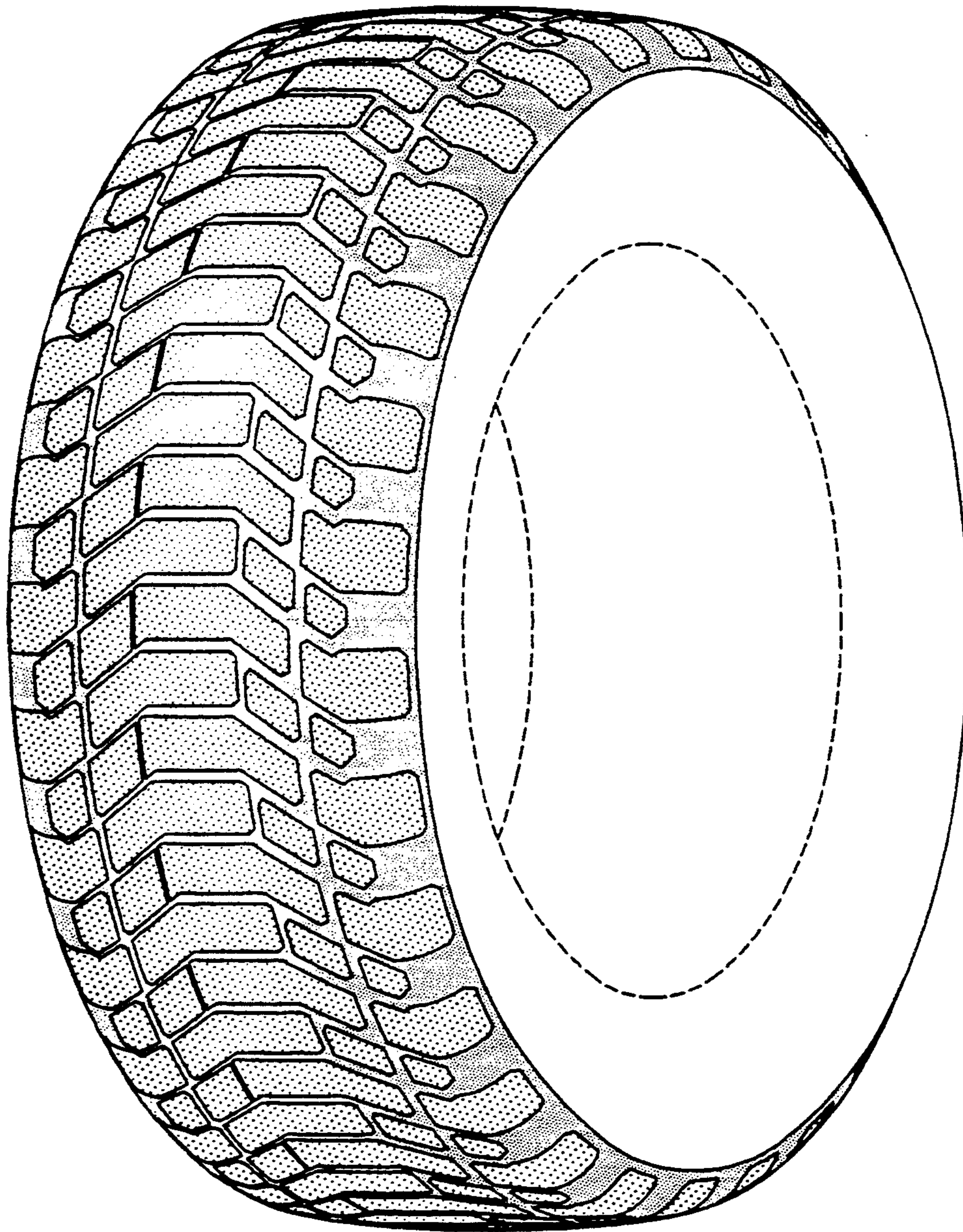


FIG-2

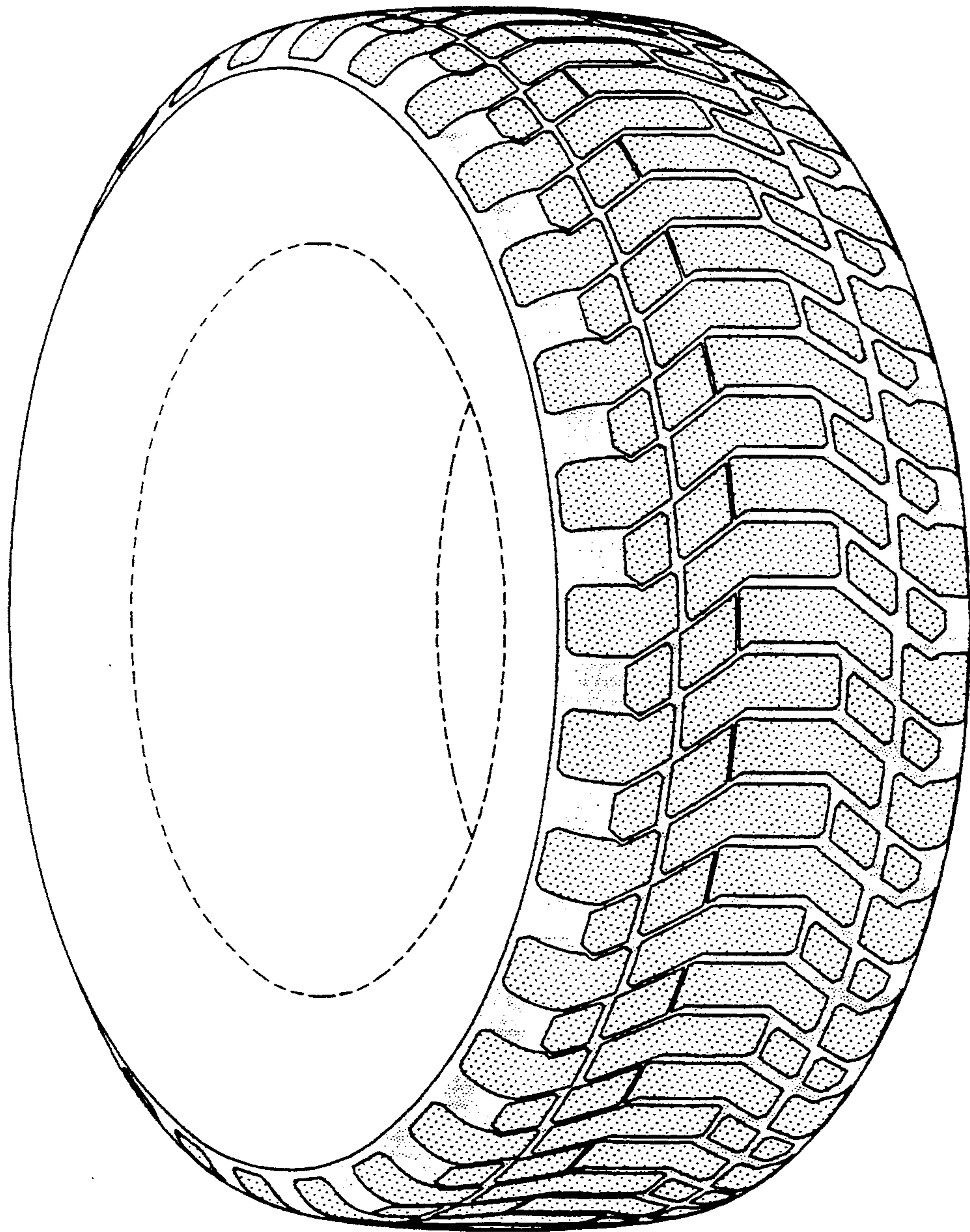


FIG-3

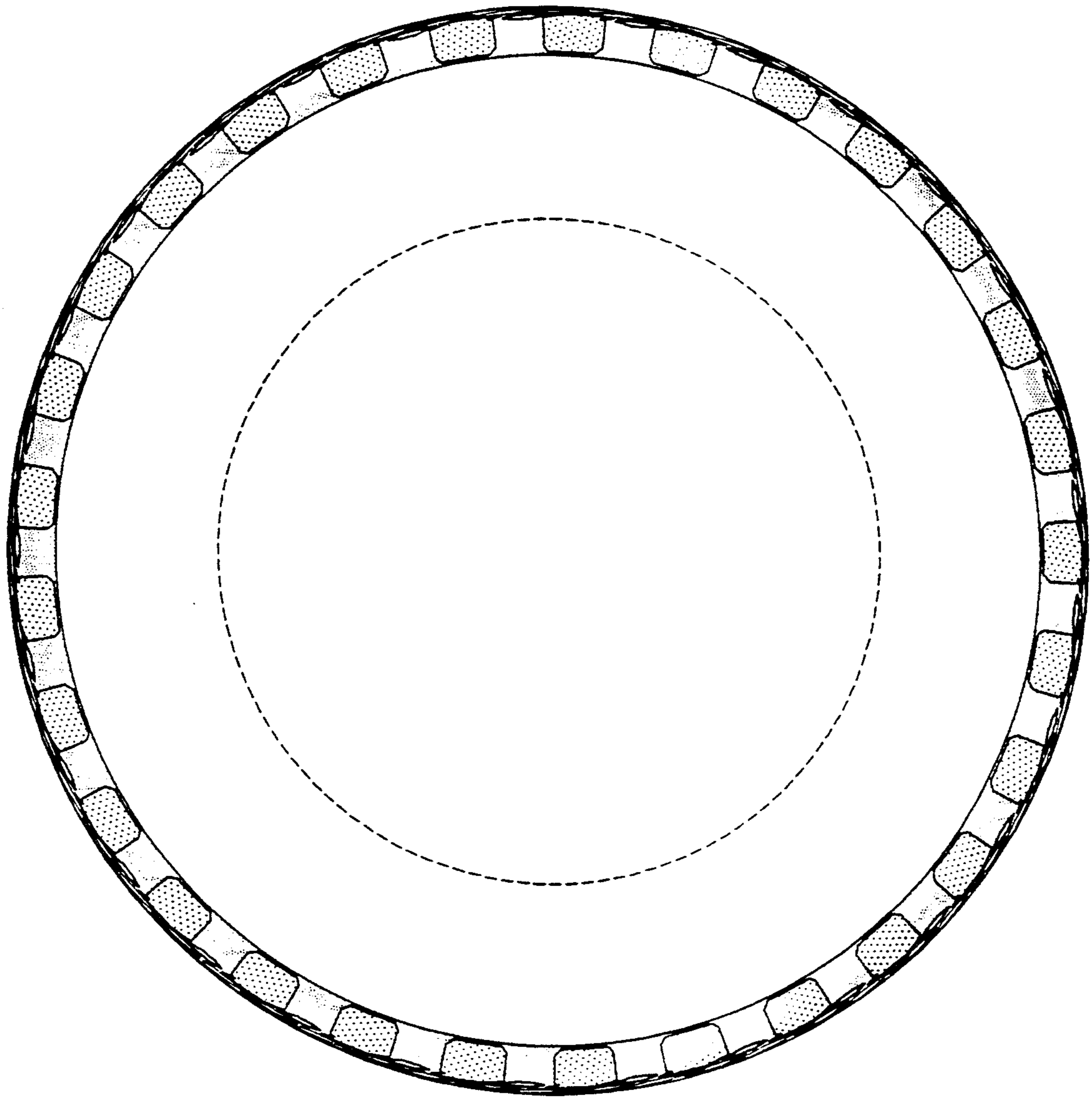


FIG-4

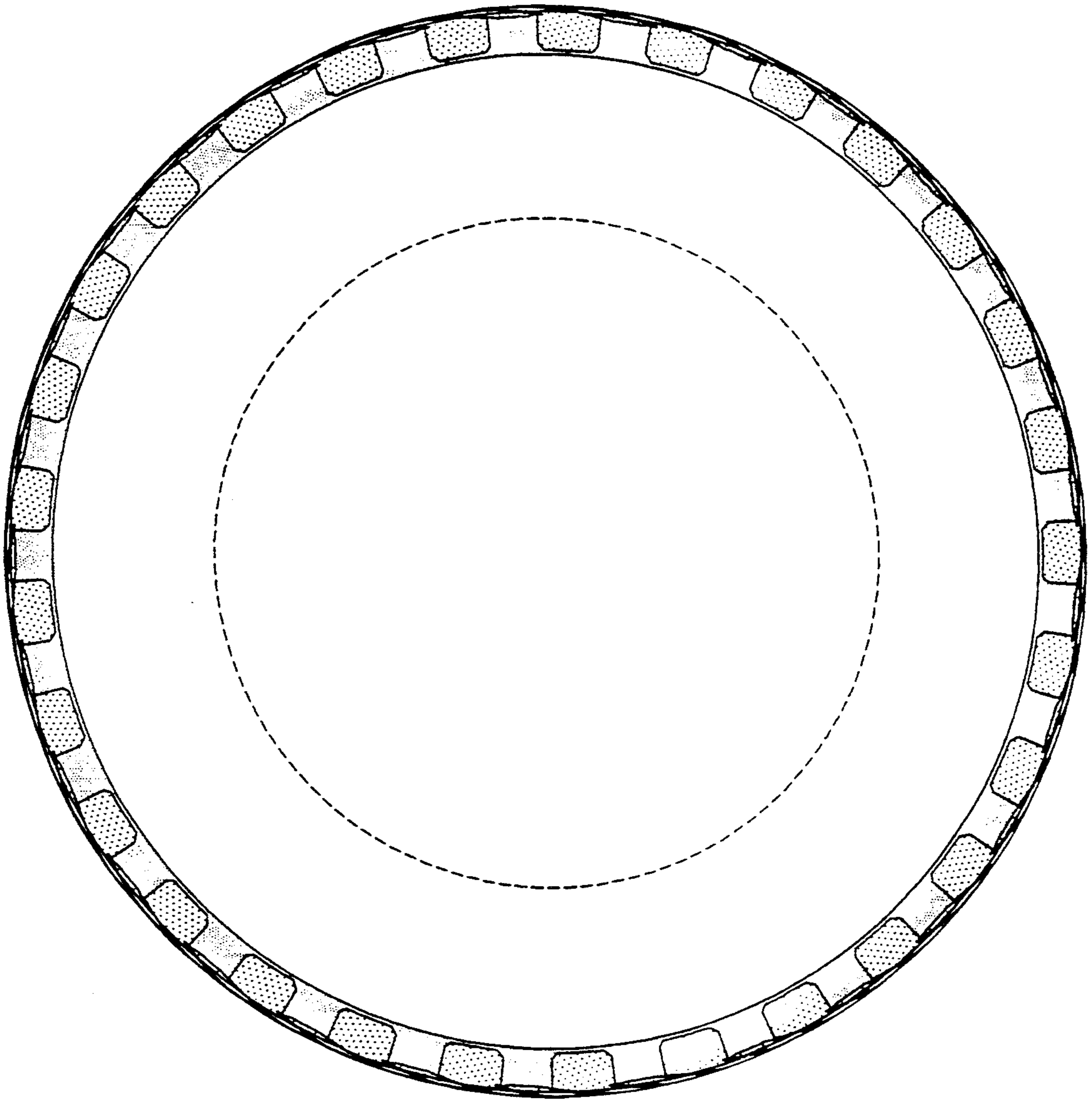


FIG-5