



US00D350710S

United States Patent [19]

[11] Patent Number: **Des. 350,710**

Keiffer

[45] Date of Patent: **** Sep. 20, 1994**

[54] **COLLECTOR'S HELMET**

5,005,221 4/1991 Chen .
5,095,552 3/1992 Parkinson .

[76] Inventor: **Kenneth D. Keiffer**, 4658
Middlebrook Rd. Q, Orlando, Fla.
32811

OTHER PUBLICATIONS

Sports Illustrated; Nov. 24, 1958; p. 57; Football Helmet
(center).

[**] Term: **14 Years**

Primary Examiner—Bernard Ansher
Assistant Examiner—Dominic Simone

[21] Appl. No.: **7,784**

[22] Filed: **May 3, 1993**

[57] CLAIM

[52] U.S. Cl. **D11/157; D11/131**

[58] Field of Search 428/13, 15, 542.2;
2/2.5, 9, 424; D11/131, 157; D27/190; D29/12,
15

The ornamental design for a collector's helmet, as
shown and described.

DESCRIPTION

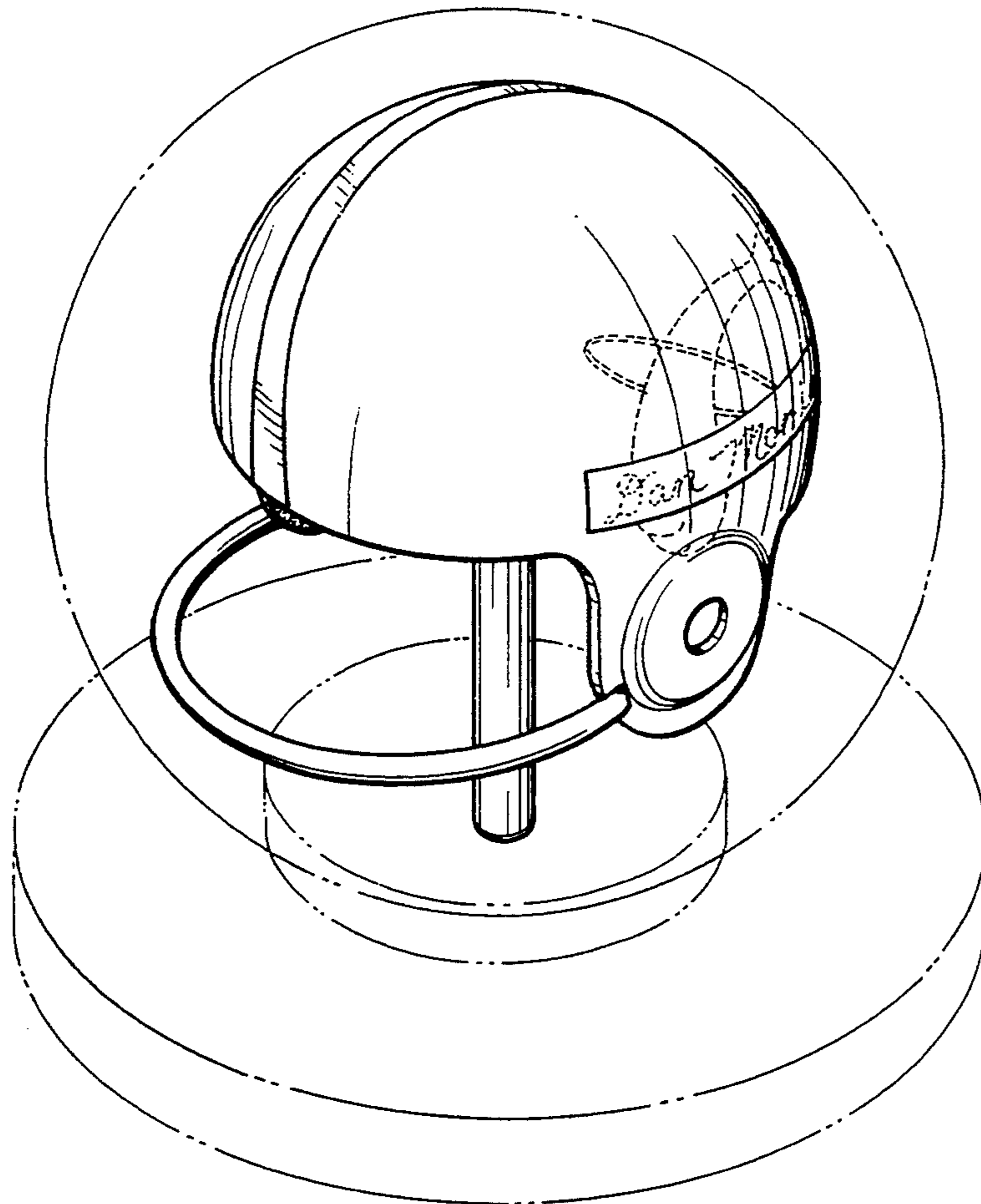
[56] References Cited

U.S. PATENT DOCUMENTS

D. 132,120	4/1942	Ackerman	D27/190
D. 216,988	3/1970	Jerue	.	
D. 321,845	11/1991	Nys	.	
2,293,308	8/1942	Riddel et al.	.	
2,296,335	9/1942	Brady	.	
2,768,919	10/1956	Bjorksten et al.	2/2.5 X
3,170,164	2/1965	Holder	2/9
3,283,336	11/1966	Critser	.	
3,751,728	8/1973	Thompkins	.	
4,947,490	8/1990	Hayden	2/424

FIG. 1 is a perspective view of a collector's helmet
showing my new design;
FIG. 2 is a front elevational view thereof;
FIG. 3 is a rear elevational view thereof;
FIG. 4 is a left side elevational view thereof;
FIG. 5 is a right side elevational view thereof;
FIG. 6 is a top plan view thereof; and,
FIG. 7 is a bottom view thereof.

The broken line showing of a team logo, player's auto-
graph, and display case in FIGS. 1 through 7 is for
illustrative purposes only and forms no part of the
claimed design.



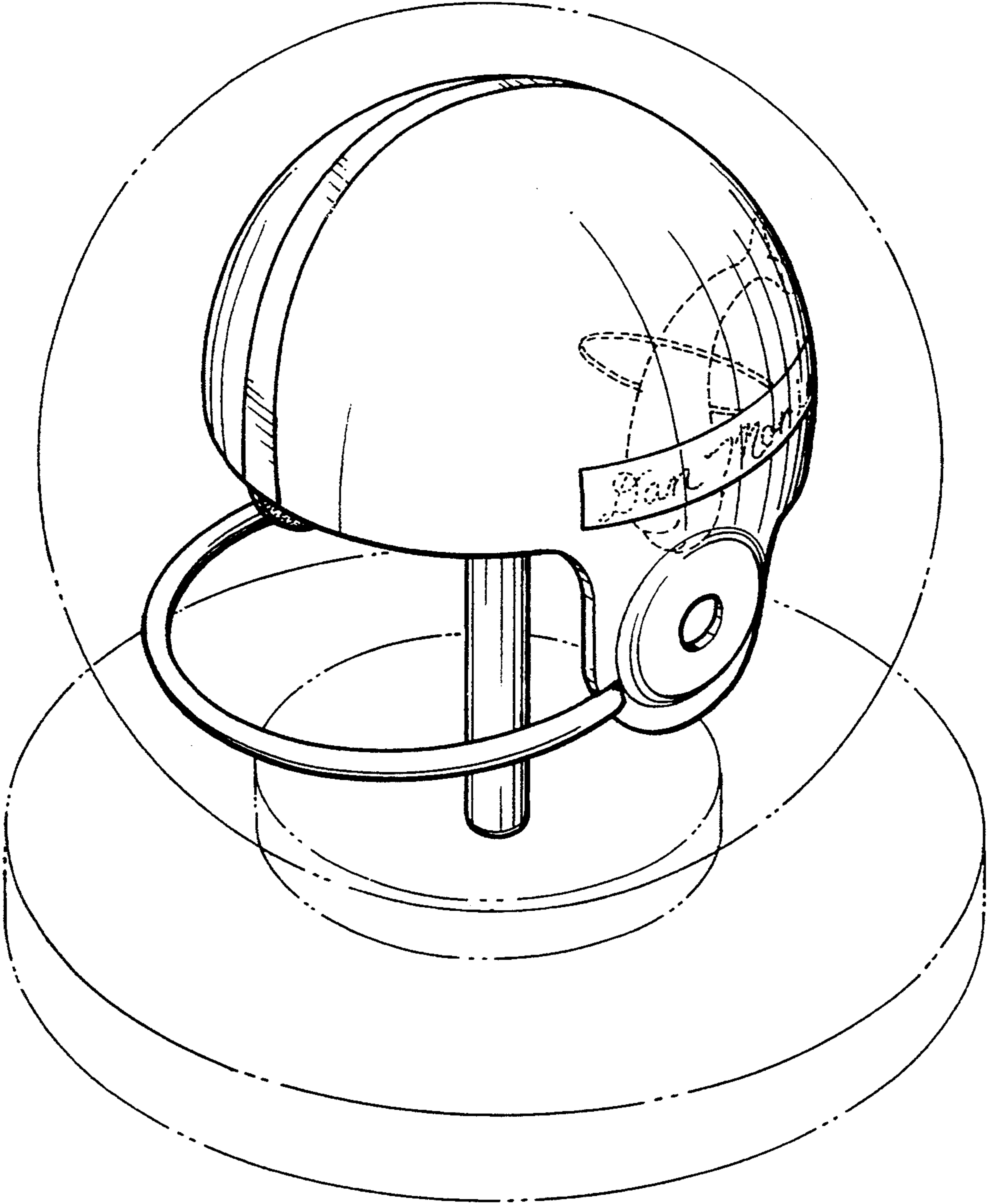


FIG. 1

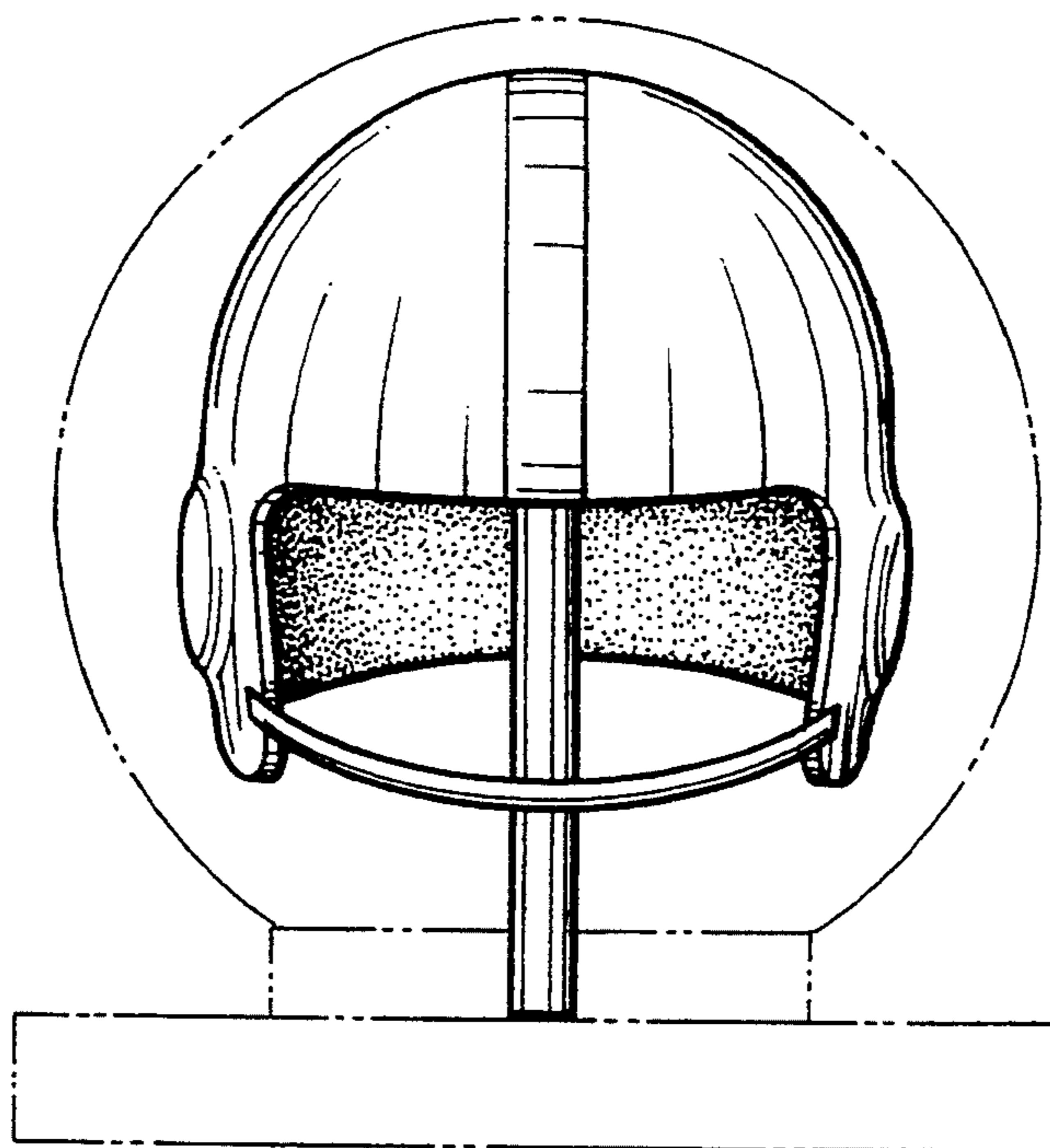


FIG. 2

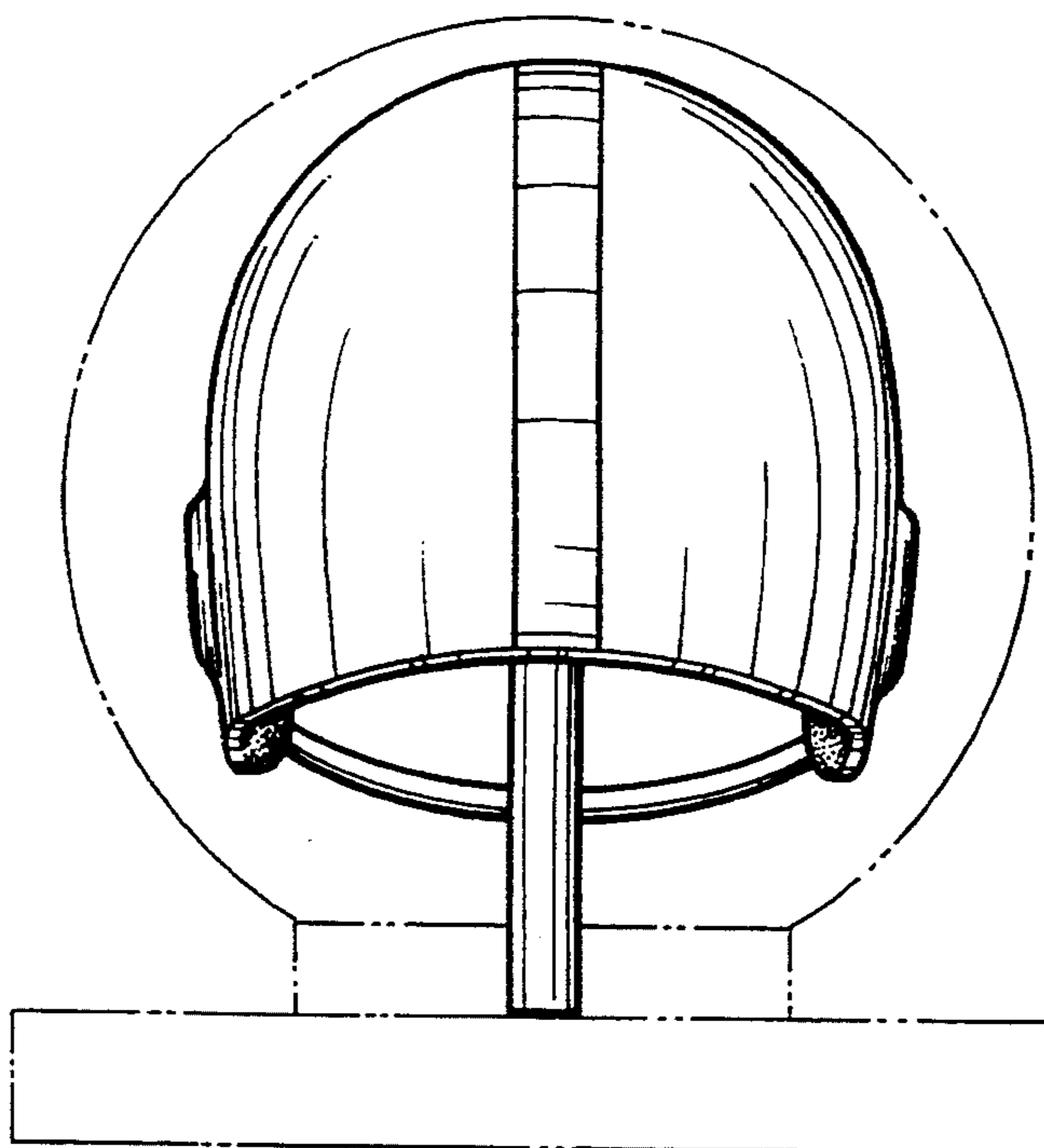


FIG. 3

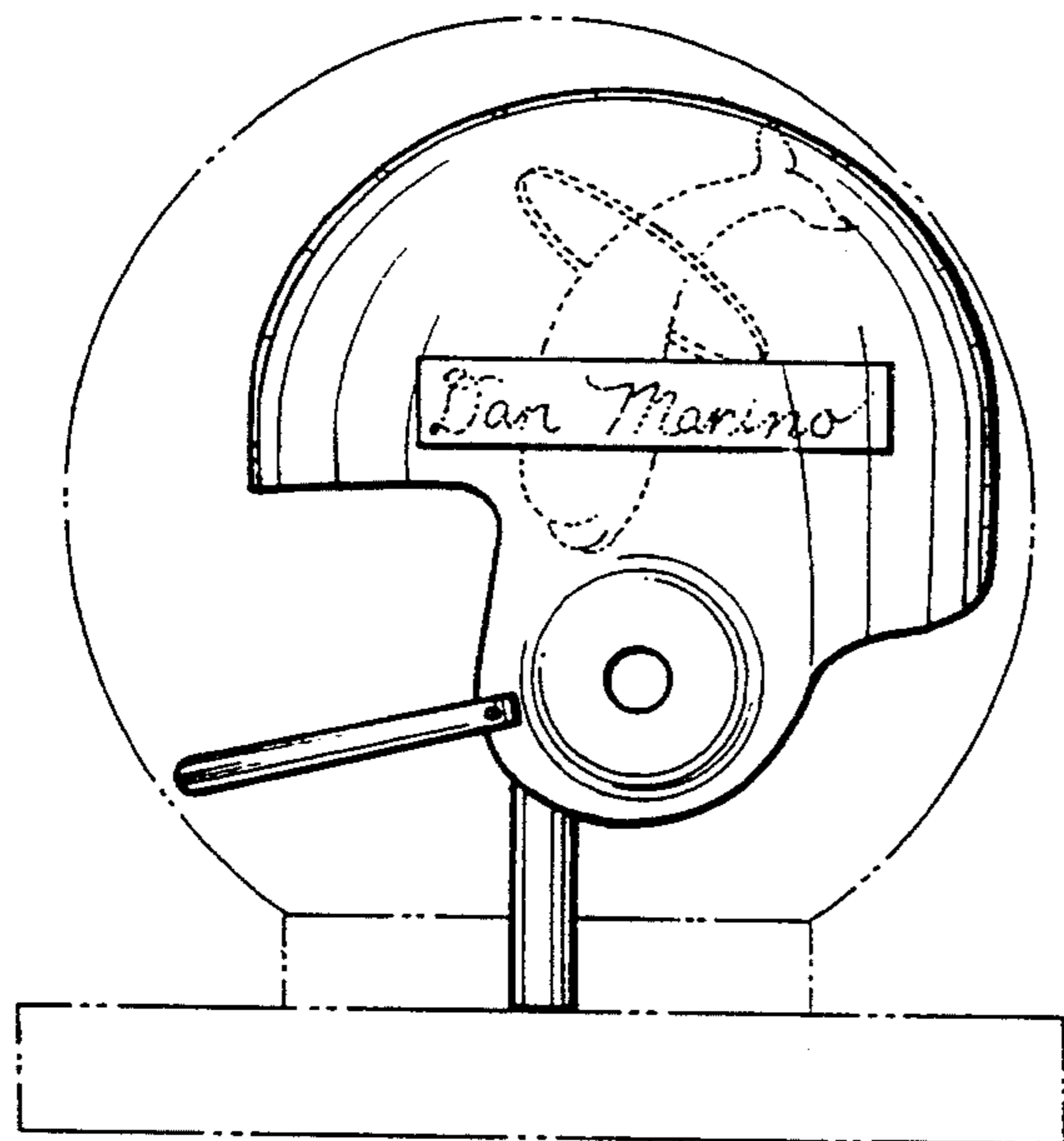


FIG. 4

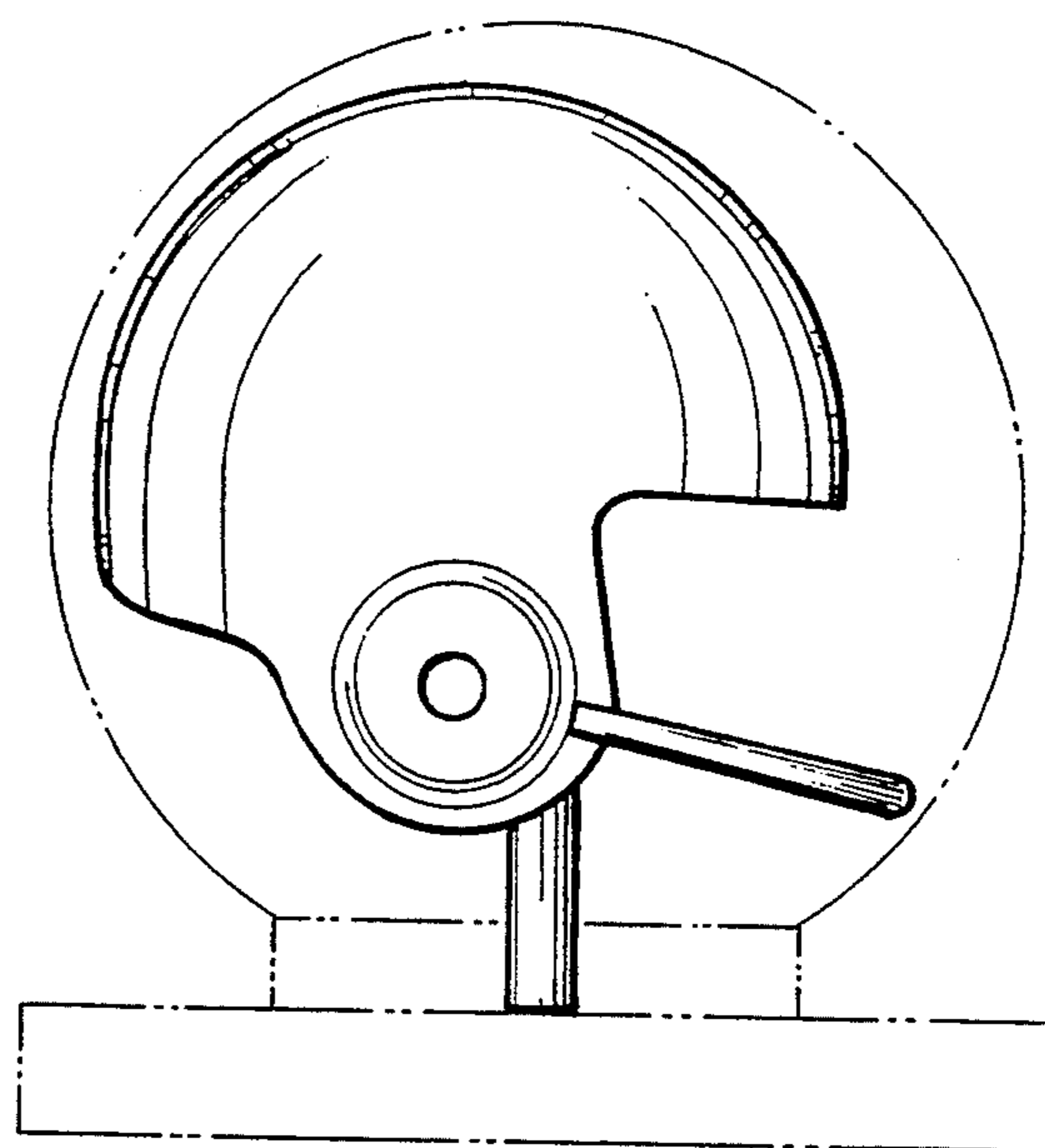


FIG. 5

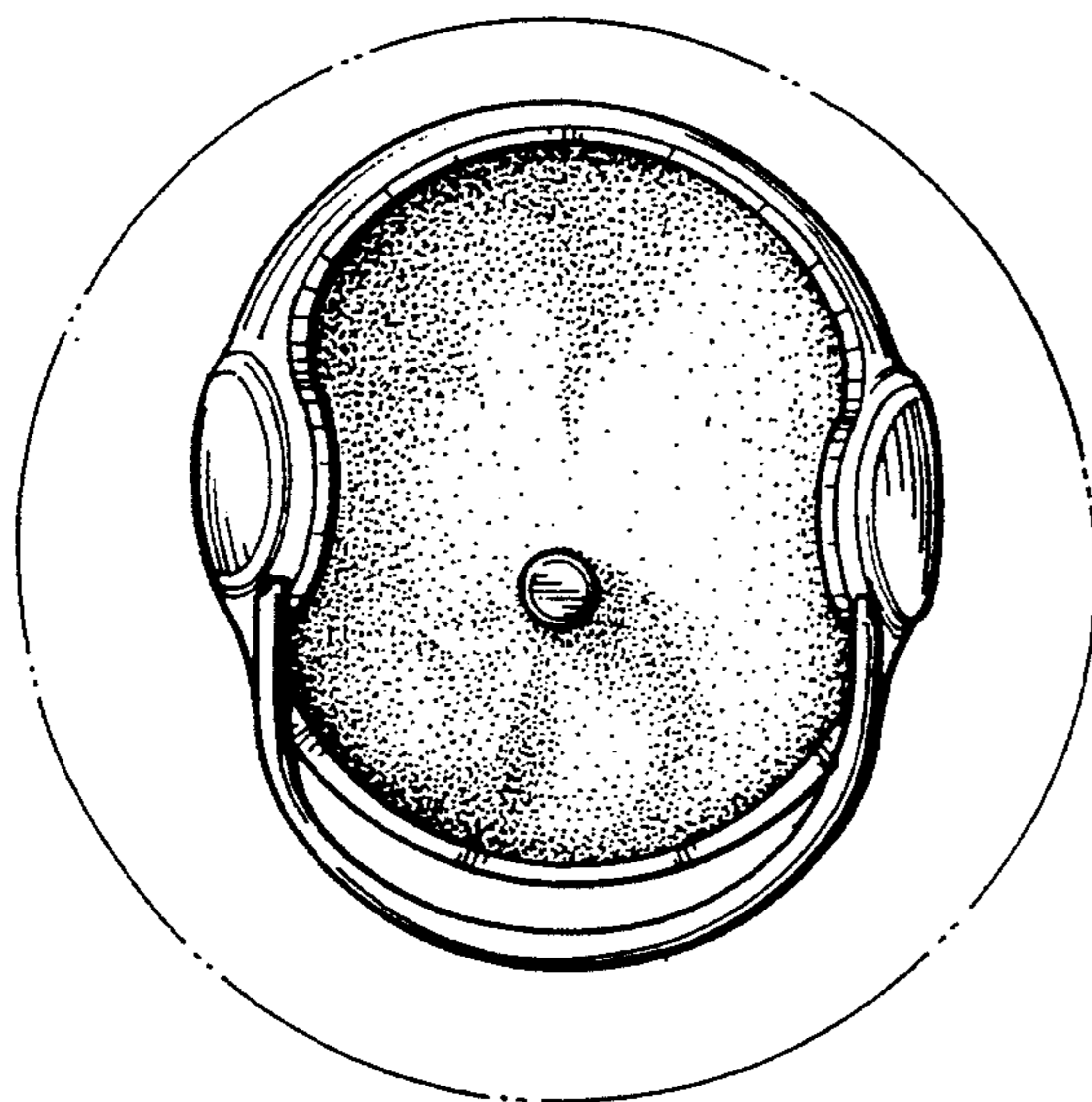


FIG. 7

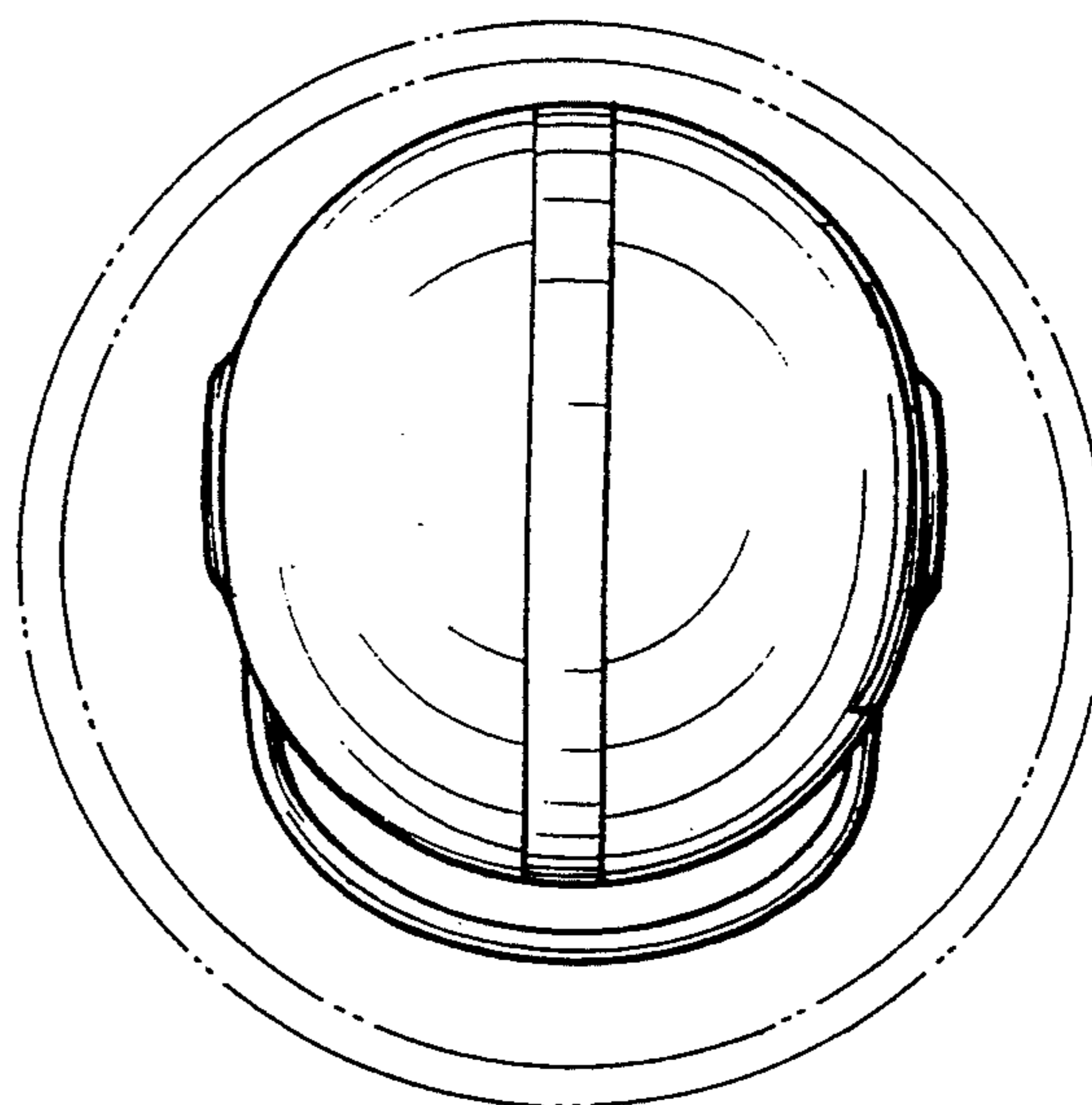


FIG. 6