



US00D350705S

# United States Patent [19]

[11] Patent Number: **Des. 350,705**

Sone

[45] Date of Patent: **\*\* Sep. 20, 1994**

[54] **AUDIBLE SIGNAL FOR ALARM UNITS**

4,366,472 12/1982 Ishii ..... 340/392

[75] Inventor: **Takahiro Sone**, Shizuoka, Japan

*Primary Examiner*—Wallace R. Burke

[73] Assignee: **Star Micronics Co., Ltd.**, Shizuoka, Japan

*Assistant Examiner*—Marcus Jackson

*Attorney, Agent, or Firm*—Pollock, Vande Sande &

Priddy

[\*] Notice: The portion of the term of this patent subsequent to Sep. 21, 2007 has been disclaimed.

### [57] CLAIM

The ornamental design for audible signal for alarm units, as shown and described.

[\*\*] Term: **14 Years**

### DESCRIPTION

[21] Appl. No.: **936,550**

FIG. 1 is a perspective view of audible signal for alarm units showing my new design;

[22] Filed: **Aug. 31, 1992**

FIG. 2 is a front elevational view thereof;

### [30] Foreign Application Priority Data

Mar. 6, 1992 [JP] Japan ..... 4-6517

FIG. 3 is a top plan view thereof;

[52] U.S. Cl. .... **D10/116**

FIG. 4 is a left side elevational view thereof (of which a right side elevational view would be a mirror image);

[58] Field of Search ..... 340/384 R, 384 E, 386, 340/392, 393, 404, 405, 406, 407; 361/392, 395; D10/104, 106, 116, 117, 118, 121; D13/152, 156

FIG. 5 is a rear elevational view thereof;

FIG. 6 is a bottom plan view thereof;

### [56] References Cited

#### U.S. PATENT DOCUMENTS

D. 201,593 7/1965 Stevenson ..... D10/118  
D. 264,196 5/1982 Doggart ..... D10/118  
2,984,832 5/1961 Gilman III et al. .... 340/392  
3,251,056 5/1966 Doggart ..... 340/392  
4,075,626 2/1978 Sakaguchi et al. .... 340/392  
4,115,770 9/1978 Kanazawa ..... 340/392  
4,303,908 12/1981 Enemark et al. .... 340/384 E

FIG. 7 is a cross-sectional view thereof taken on line 7—7 of FIG. 2, an internal mechanism of which is not shown;

FIG. 8 is a cross-sectional view thereof taken on line 8—8 of FIG. 6, an internal mechanism of which is not shown;

FIG. 9 is a cross-sectional view thereof taken on line 9—9 of FIG. 6, an internal mechanism of which is not shown; and,

FIG. 10 is a cross-sectional view thereof taken on line 10—10 of FIG. 6, an internal mechanism of which is not shown.

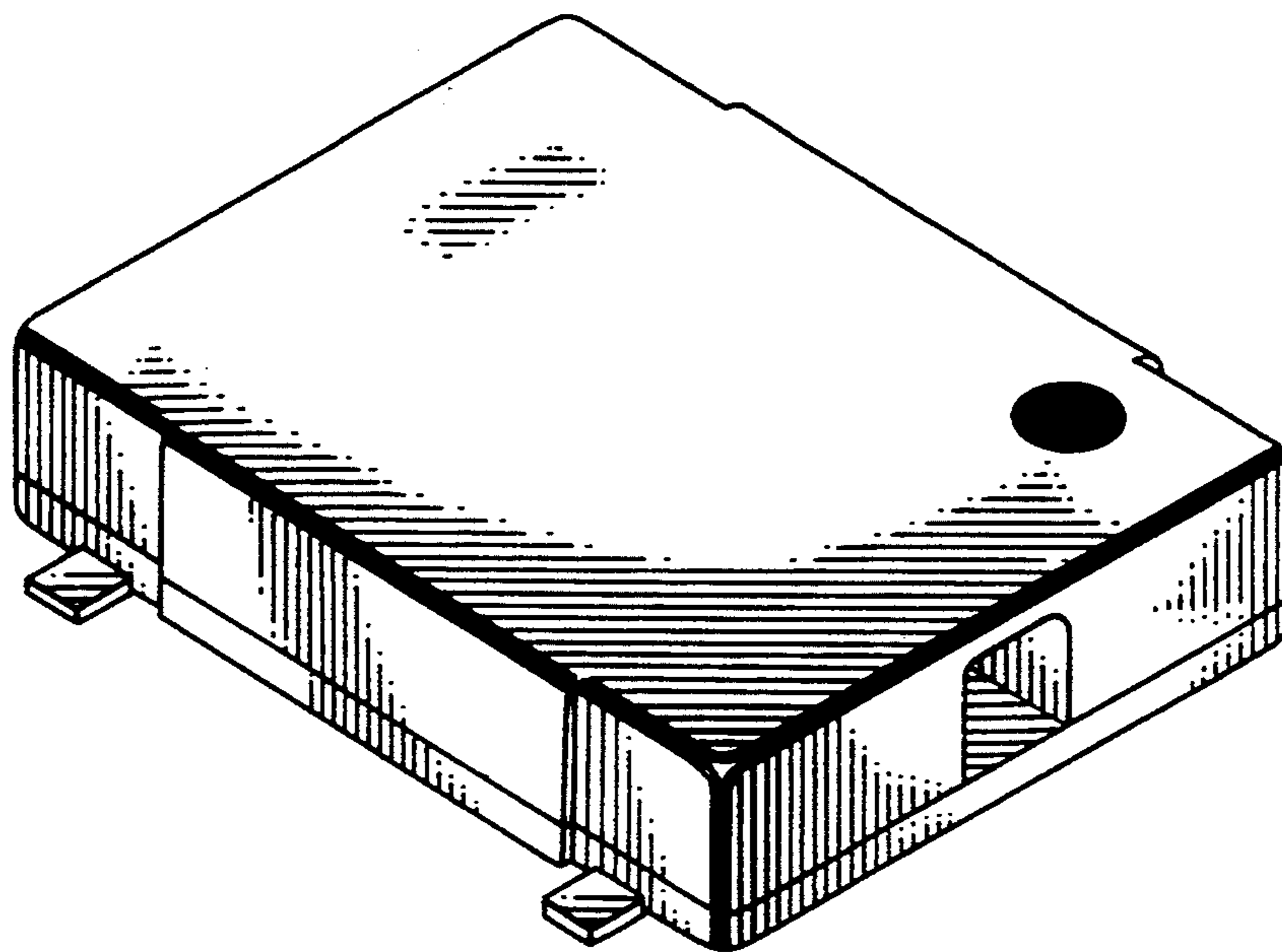


FIG. 1

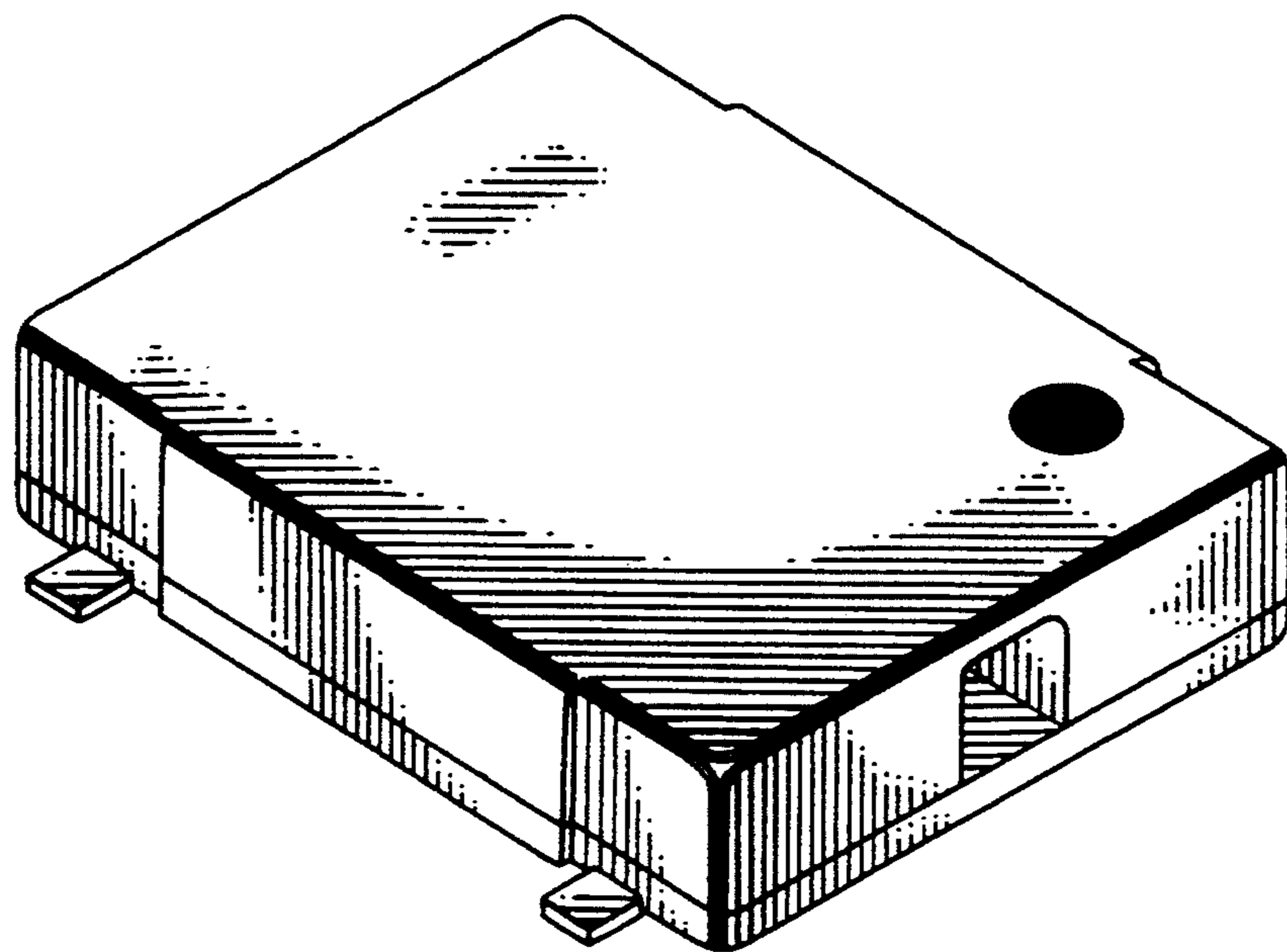


FIG. 2

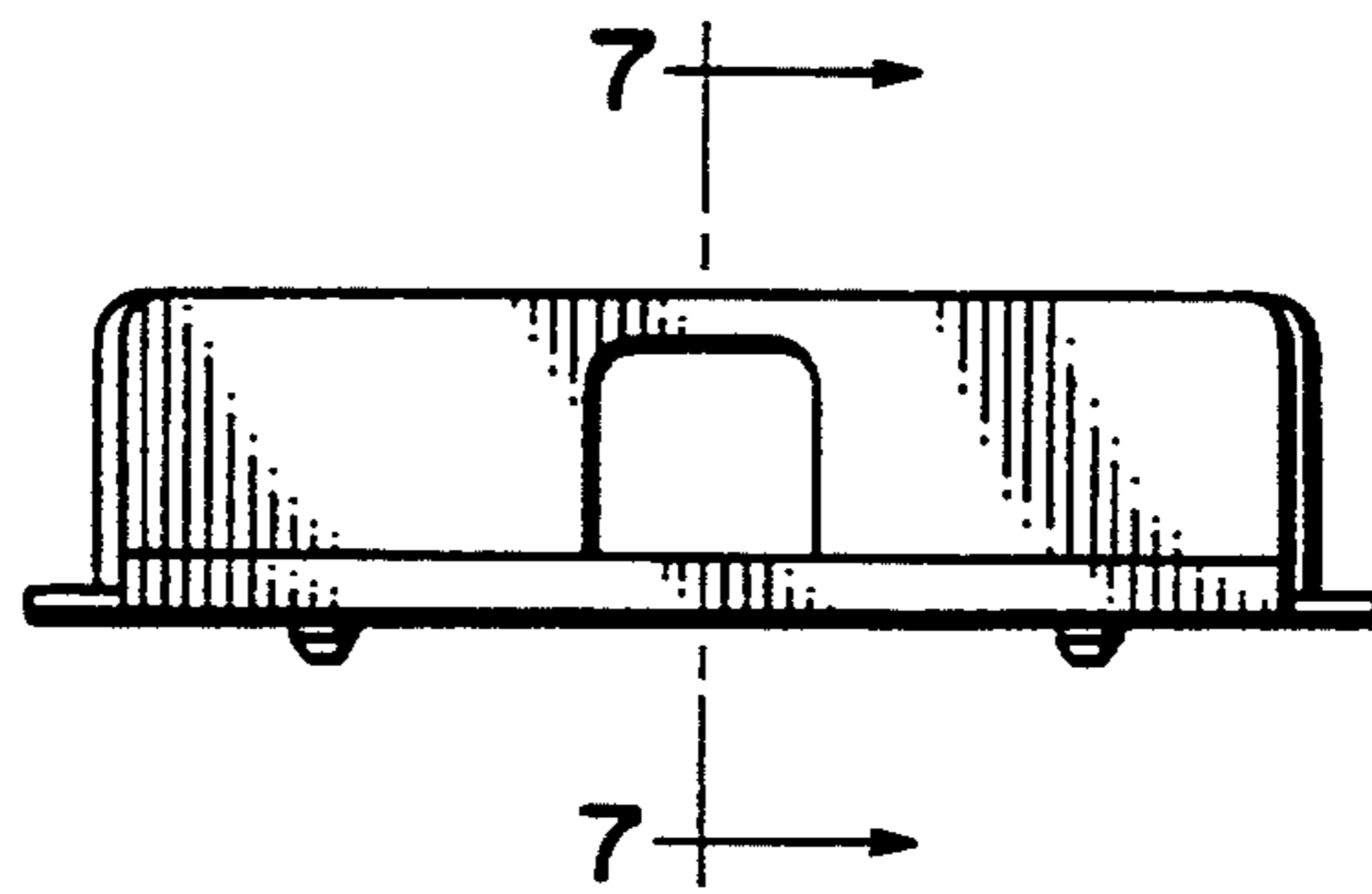


FIG. 3

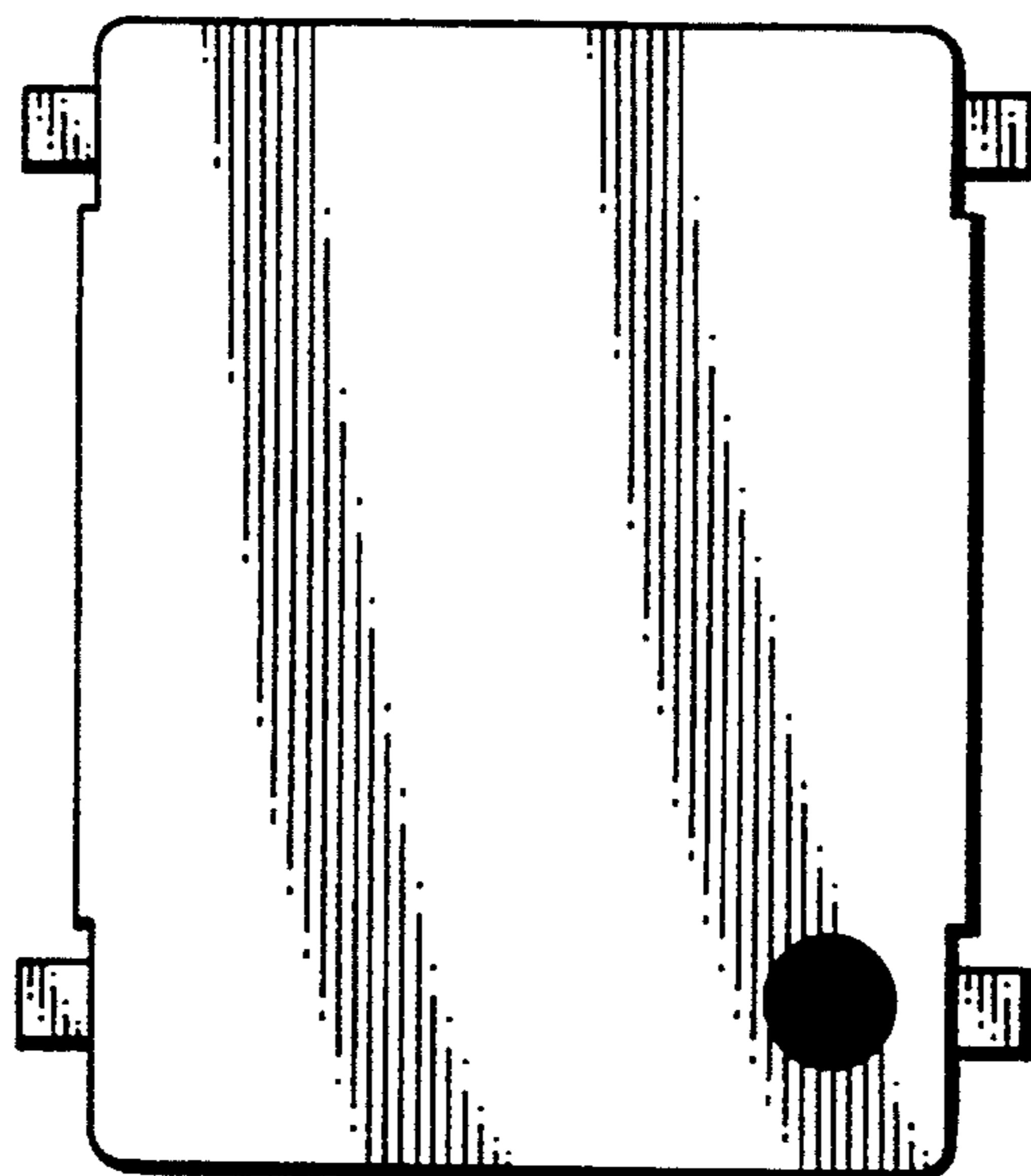


FIG. 4

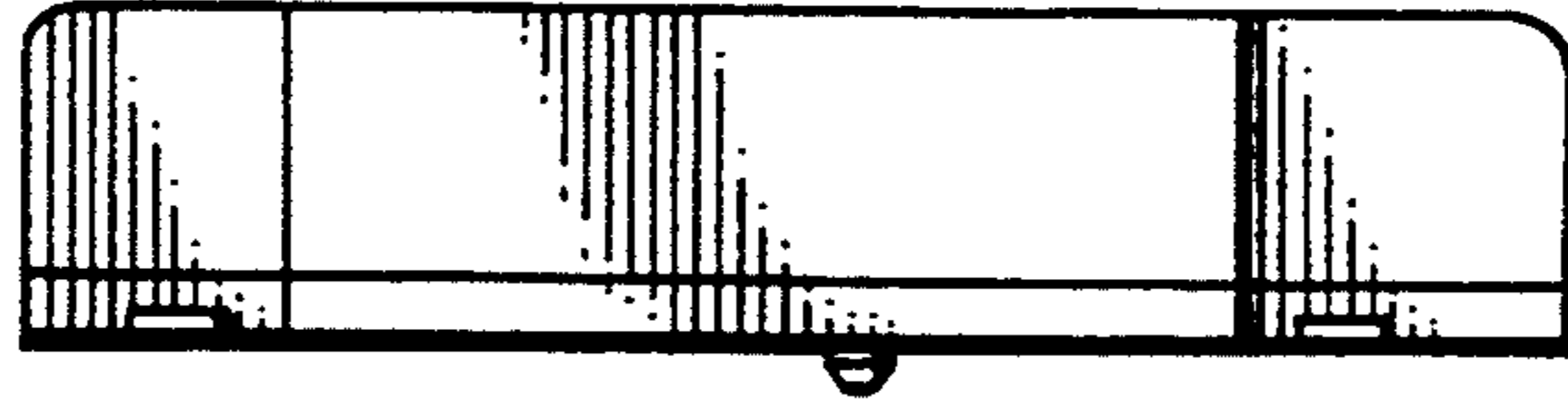


FIG. 5

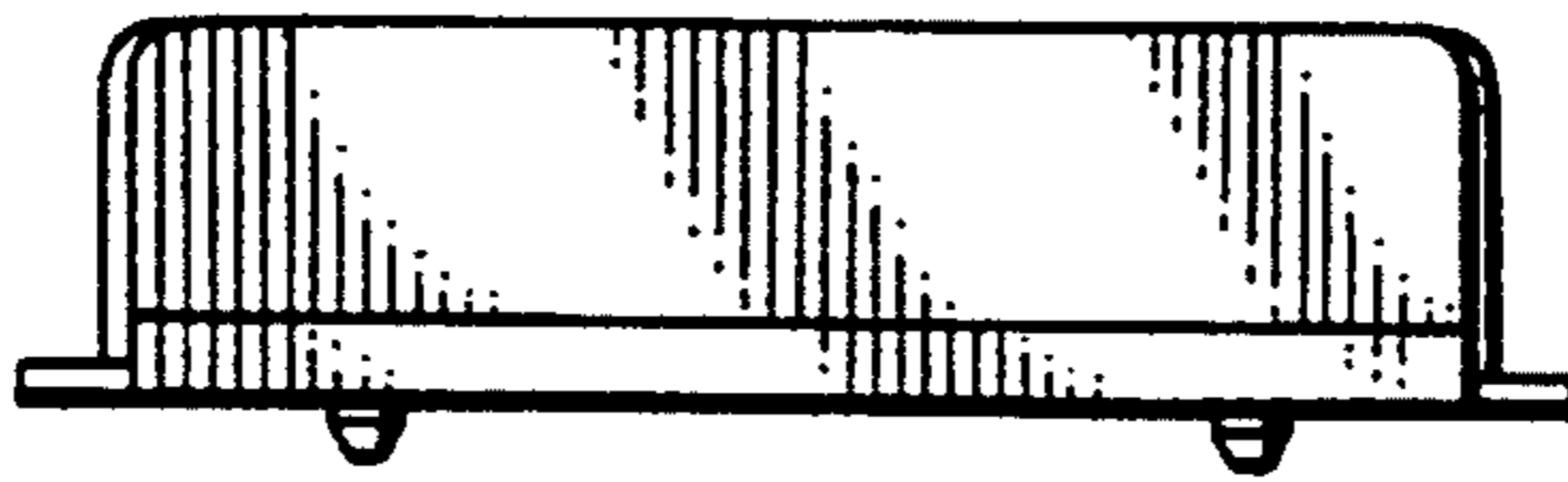


FIG. 6

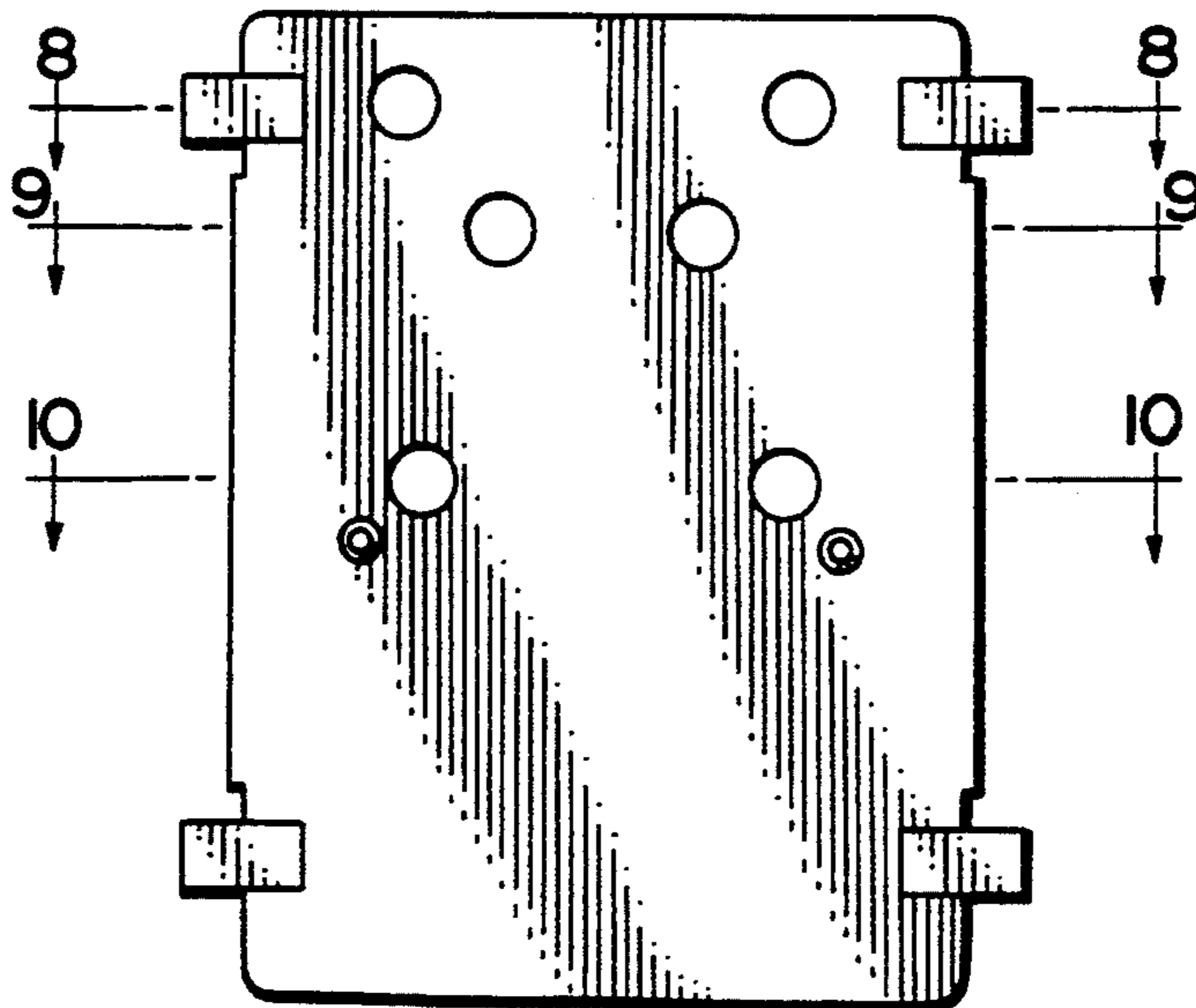


FIG. 7

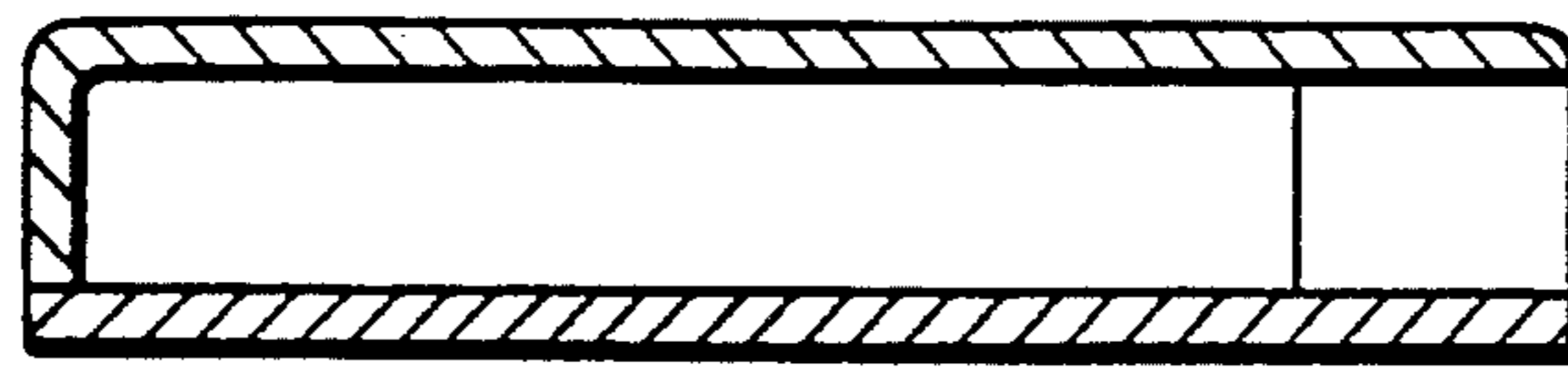


FIG. 8

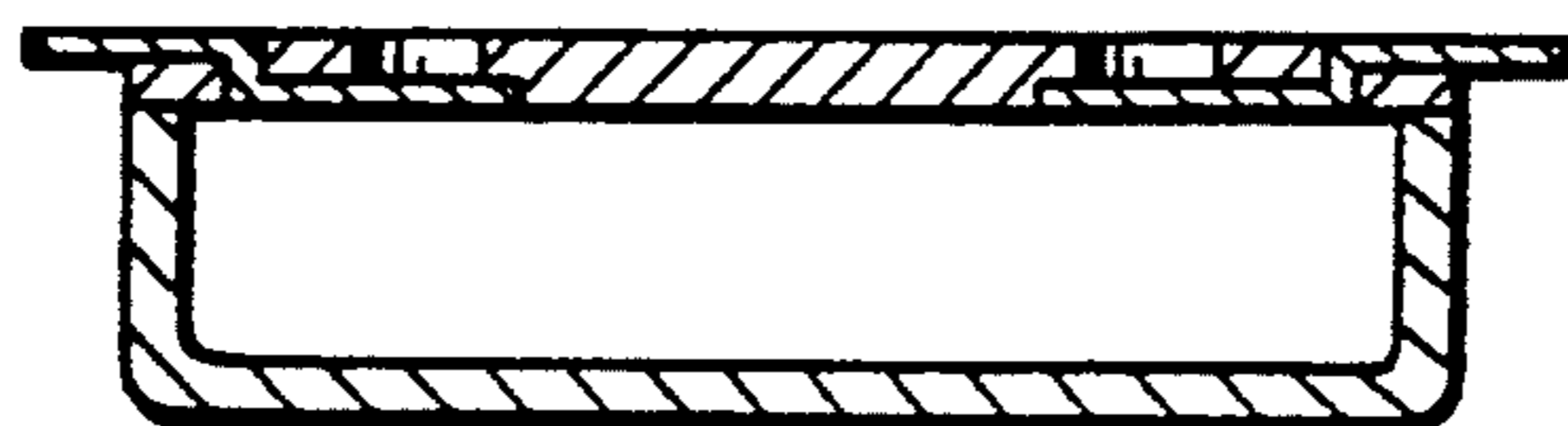


FIG. 9

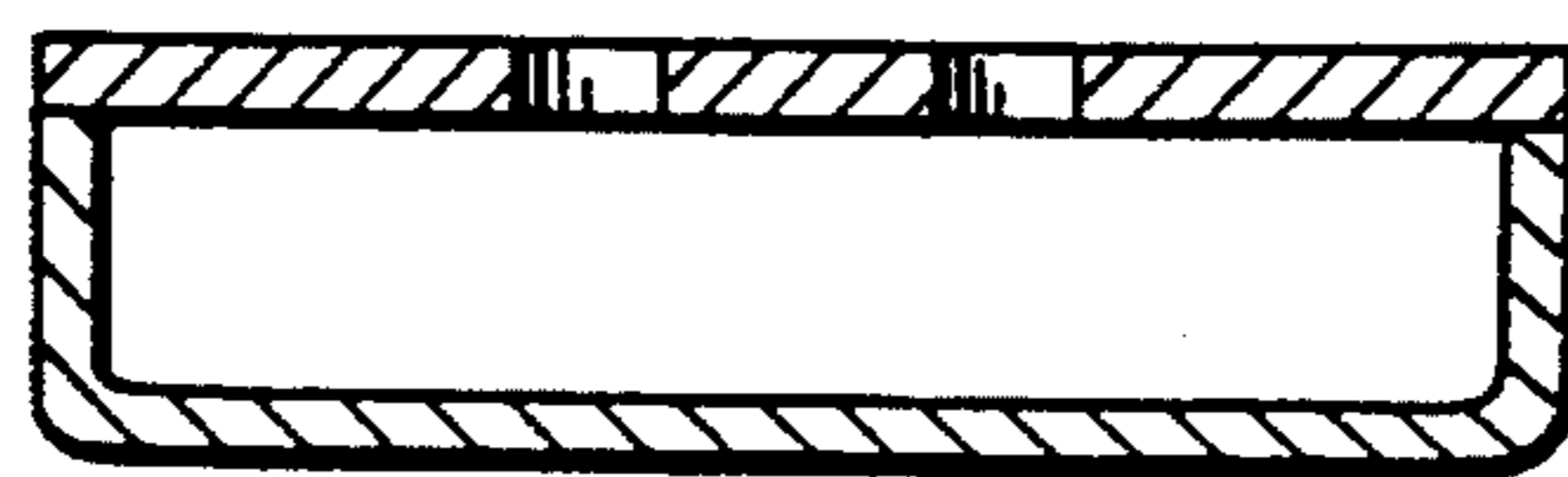


FIG. 10

