



US00D350703S

# United States Patent [19] Fifer

[11] Patent Number: **Des. 350,703**  
[45] Date of Patent: **\*\* Sep. 20, 1994**

[54] TAPE MEASURE

### FOREIGN PATENT DOCUMENTS

[76] Inventor: **Donald R. Fifer**, P.O. Box 492277,  
Redding, Calif. 96049

848261 9/1952 Fed. Rep. of Germany ... D10/771;  
D10 72 X

[\*\*] Term: **14 Years**

*Primary Examiner*—Alan P. Douglas  
*Assistant Examiner*—Antoine D. Davis  
*Attorney, Agent, or Firm*—Bernard Kreten

[21] Appl. No.: **213**

### [57] CLAIM

The ornamental design for a tape measure, as shown and described.

[22] Filed: **Oct. 8, 1992**

### DESCRIPTION

[52] U.S. Cl. .... **D10/72**

[58] Field of Search ..... 33/755-771;  
D10/72

FIG. 1 is a perspective view of a tape measure showing my new design wherein the rule is partially extended; FIG. 2 is a second perspective view opposite of that which is shown in FIG. 1, wherein the rule is not extended;

### [56] References Cited

#### U.S. PATENT DOCUMENTS

D. 339,536	9/1993	Ribron	.....	D10/72
2,634,919	4/1953	Strassler	.....	242/74
3,672,597	6/1972	Williamson	.....	242/107
3,913,232	10/1975	Marcell	.....	33/107
4,215,829	8/1980	Boyllin	.....	242/107
4,827,622	5/1989	Makar	.....	33/770
4,965,944	10/1990	Kuze et al.	.....	33/760
4,976,037	12/1990	Hines	.....	33/27.03
5,079,851	1/1992	Sill	.....	33/760

FIG. 3 is a side view of a tape measure showing my new design;

FIG. 4 is an opposite side view of that which is shown in FIG. 3;

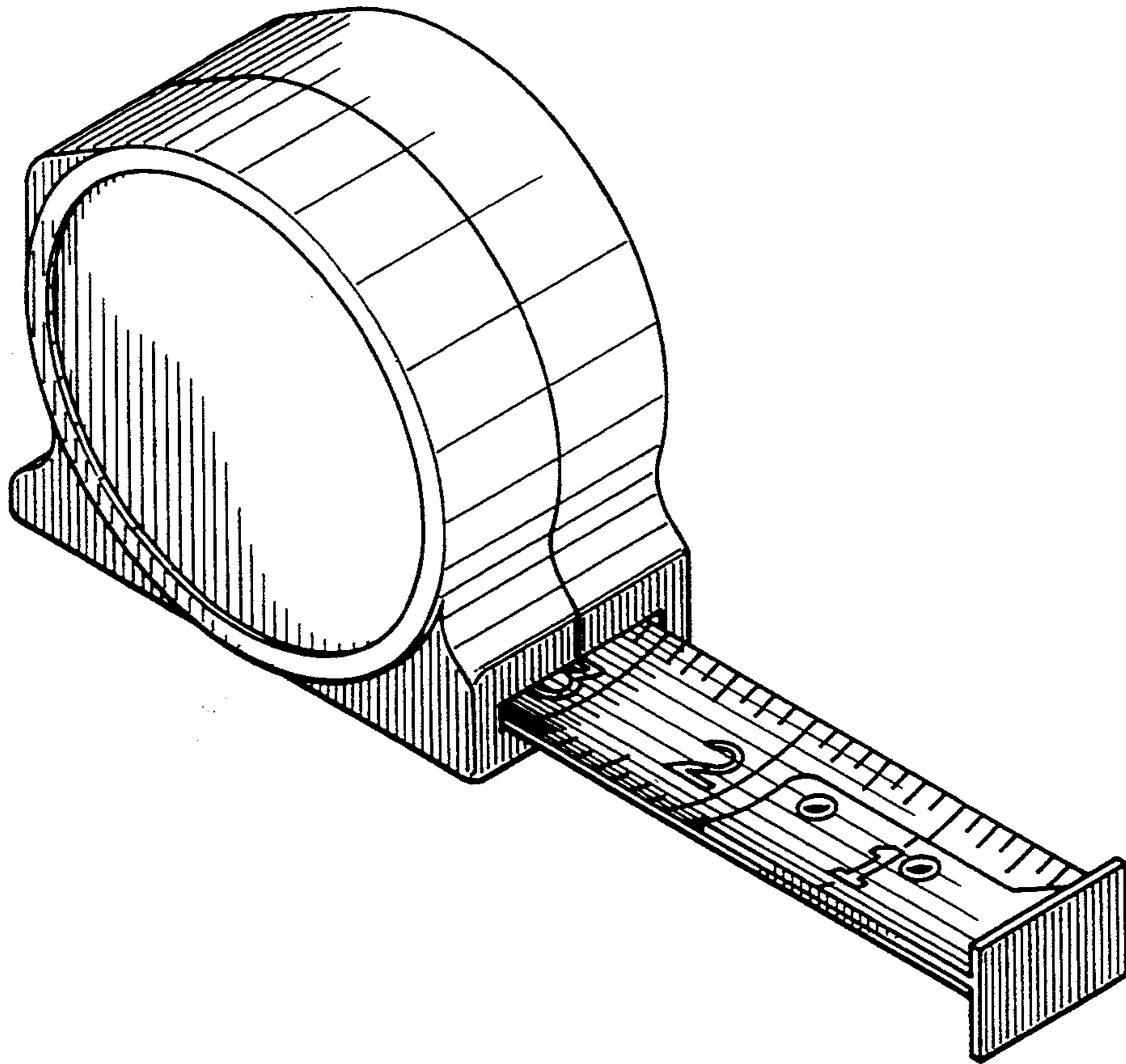
FIG. 5 is a bottom view of that which is shown in FIG. 4;

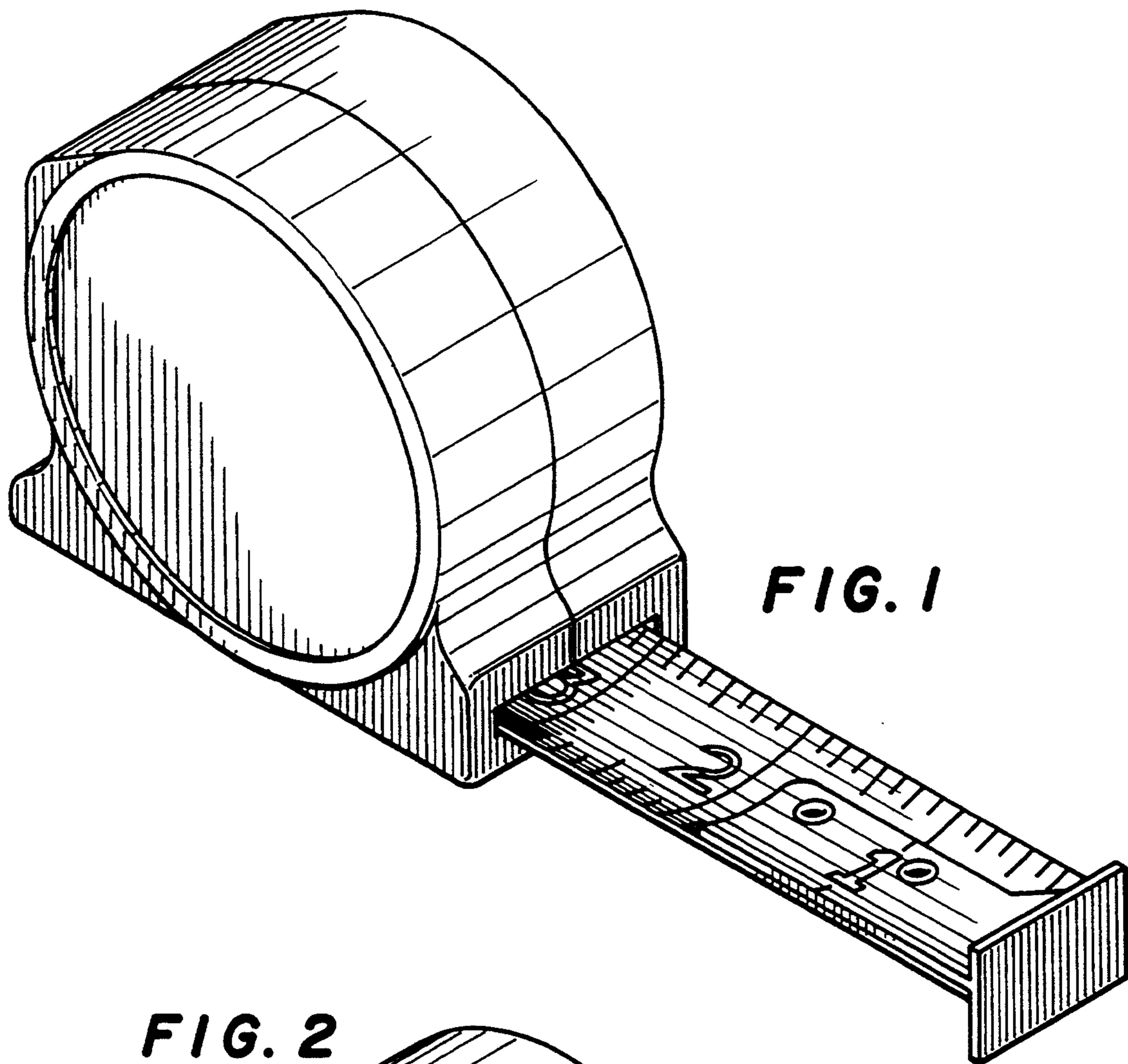
FIG. 6 is a top view of that which is shown in FIG. 5;

FIG. 7 is a front view of that which is shown in FIG. 6;

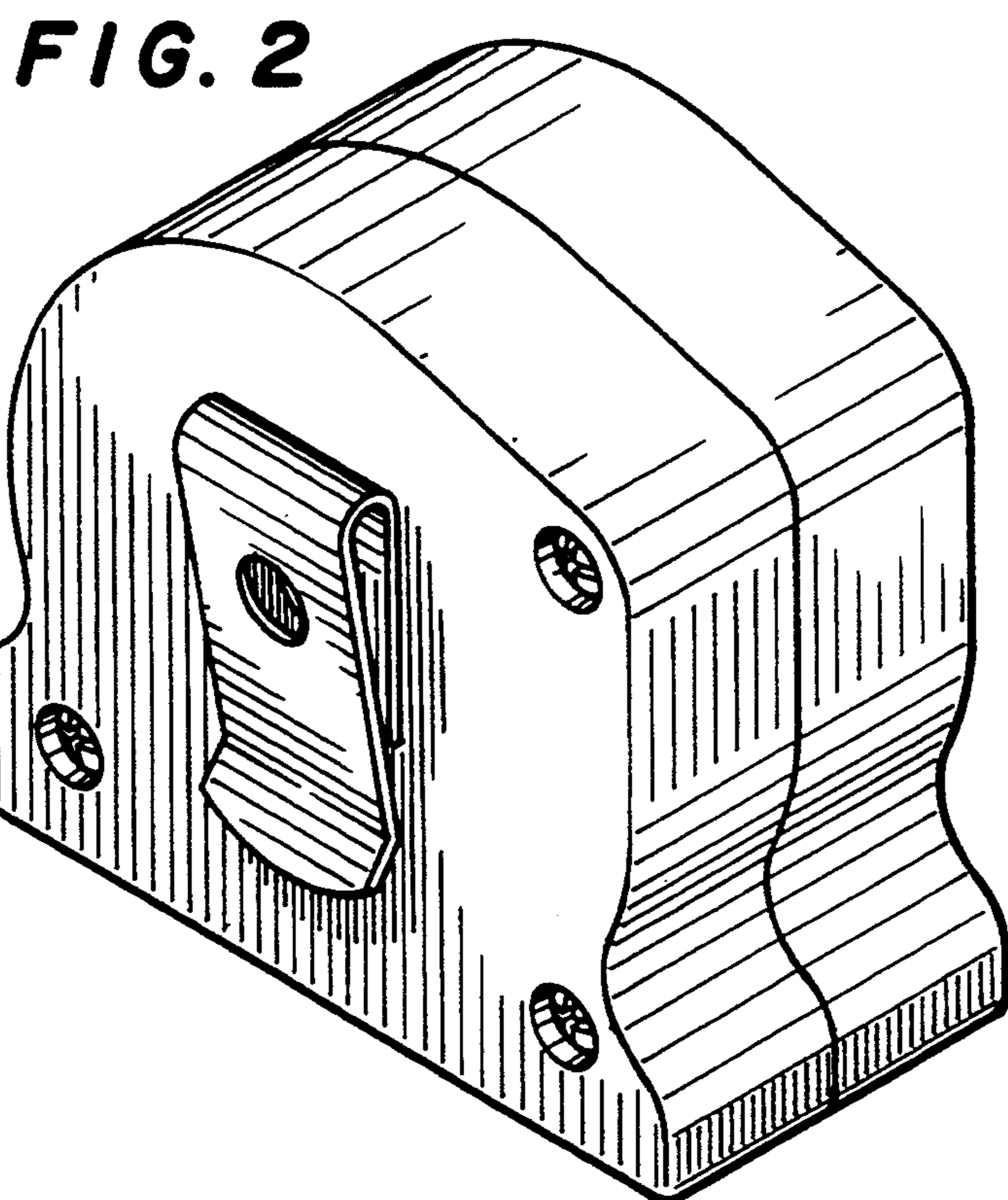
FIG. 8 is a rear view of that which is shown in FIG. 7; and,

FIG. 9 is an exploded view.



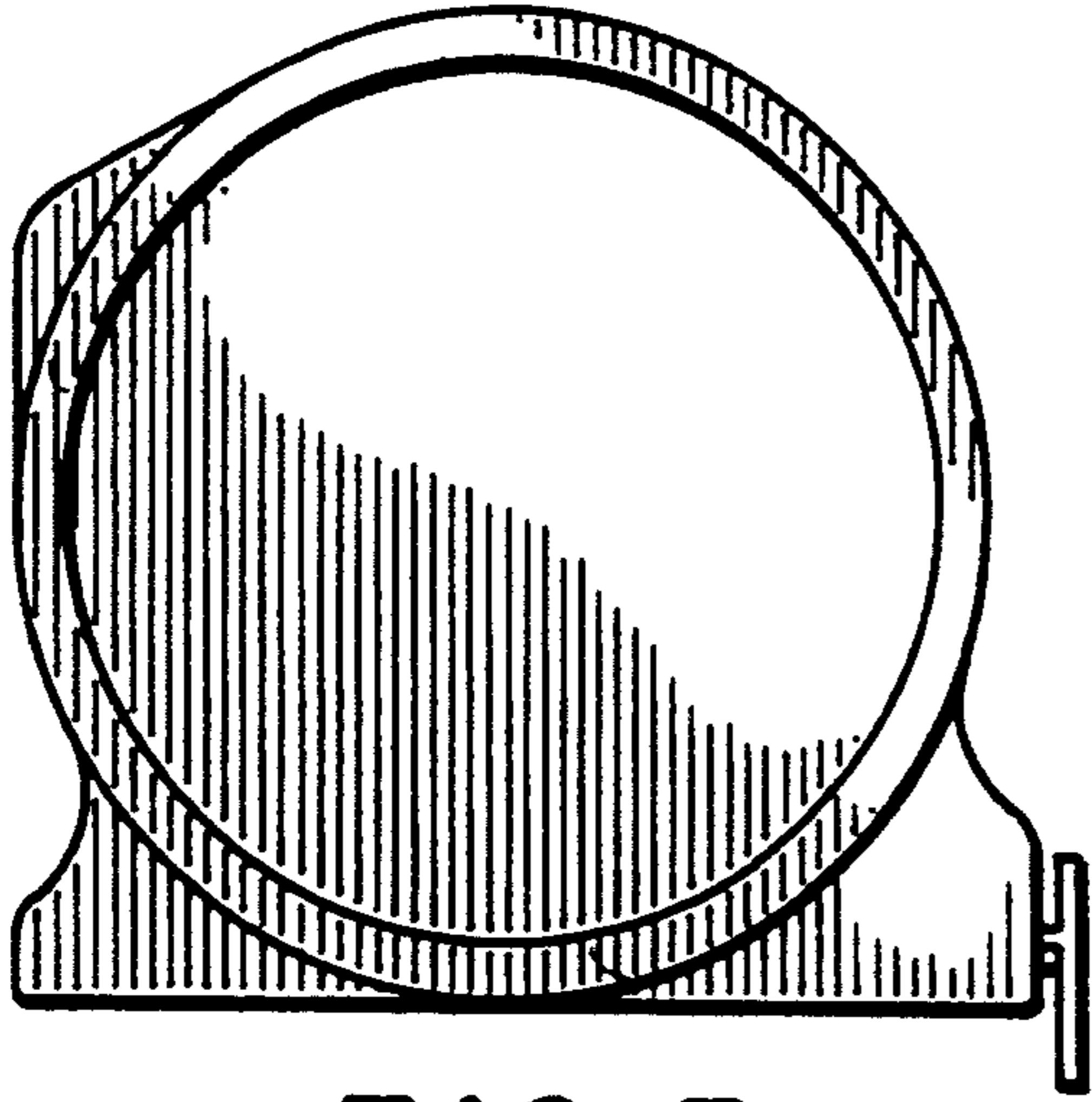


**FIG. 1**

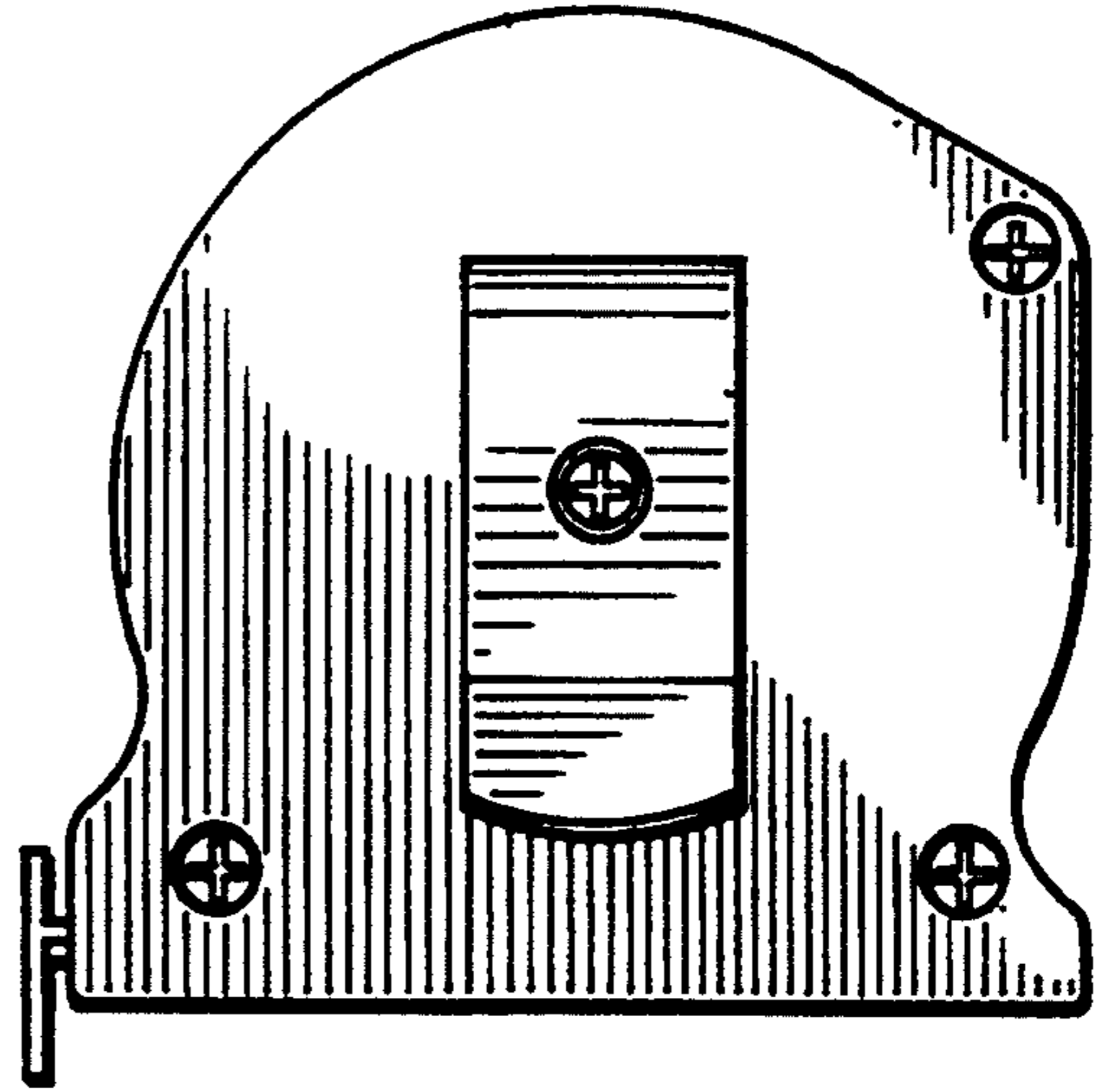


**FIG. 2**

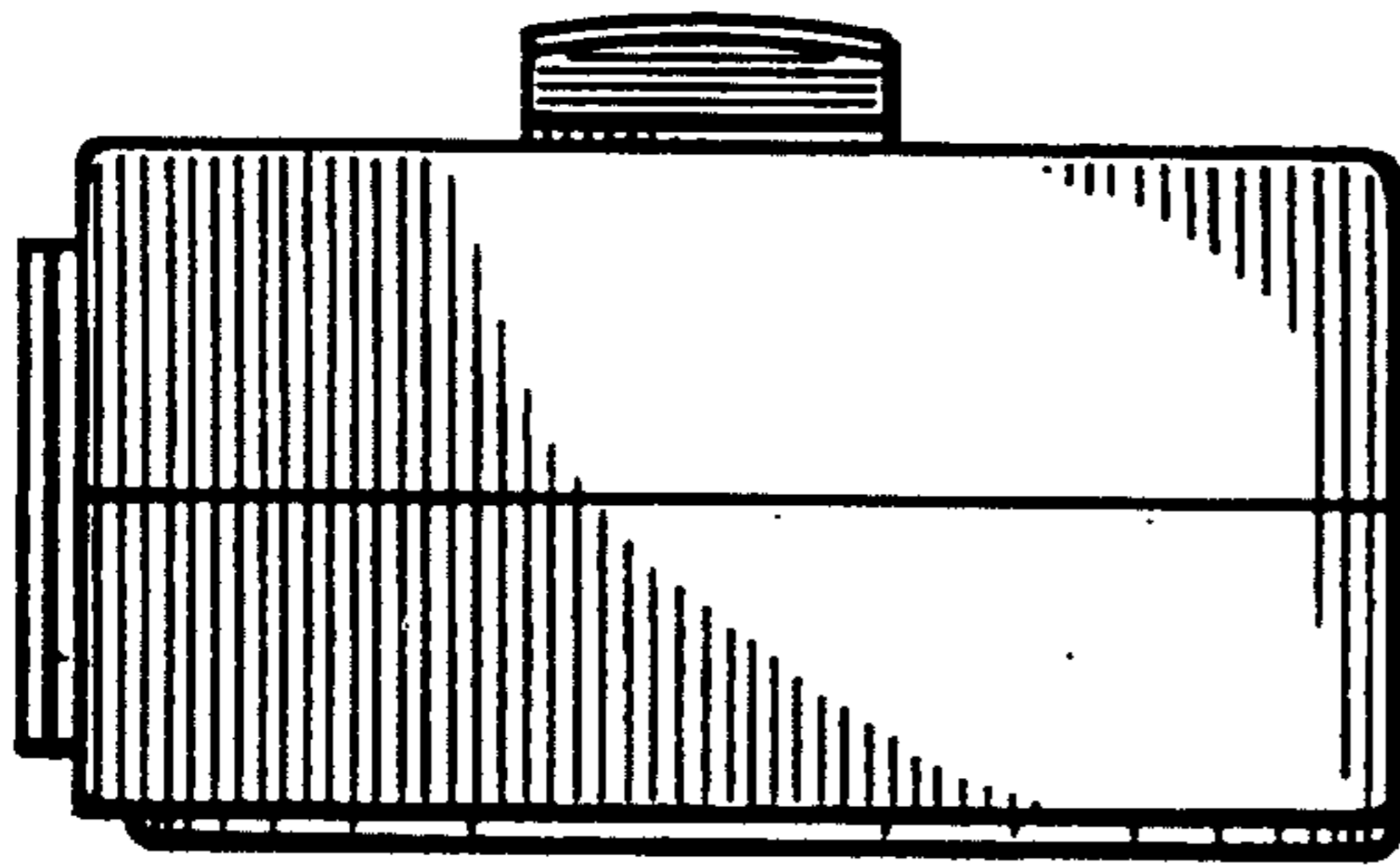




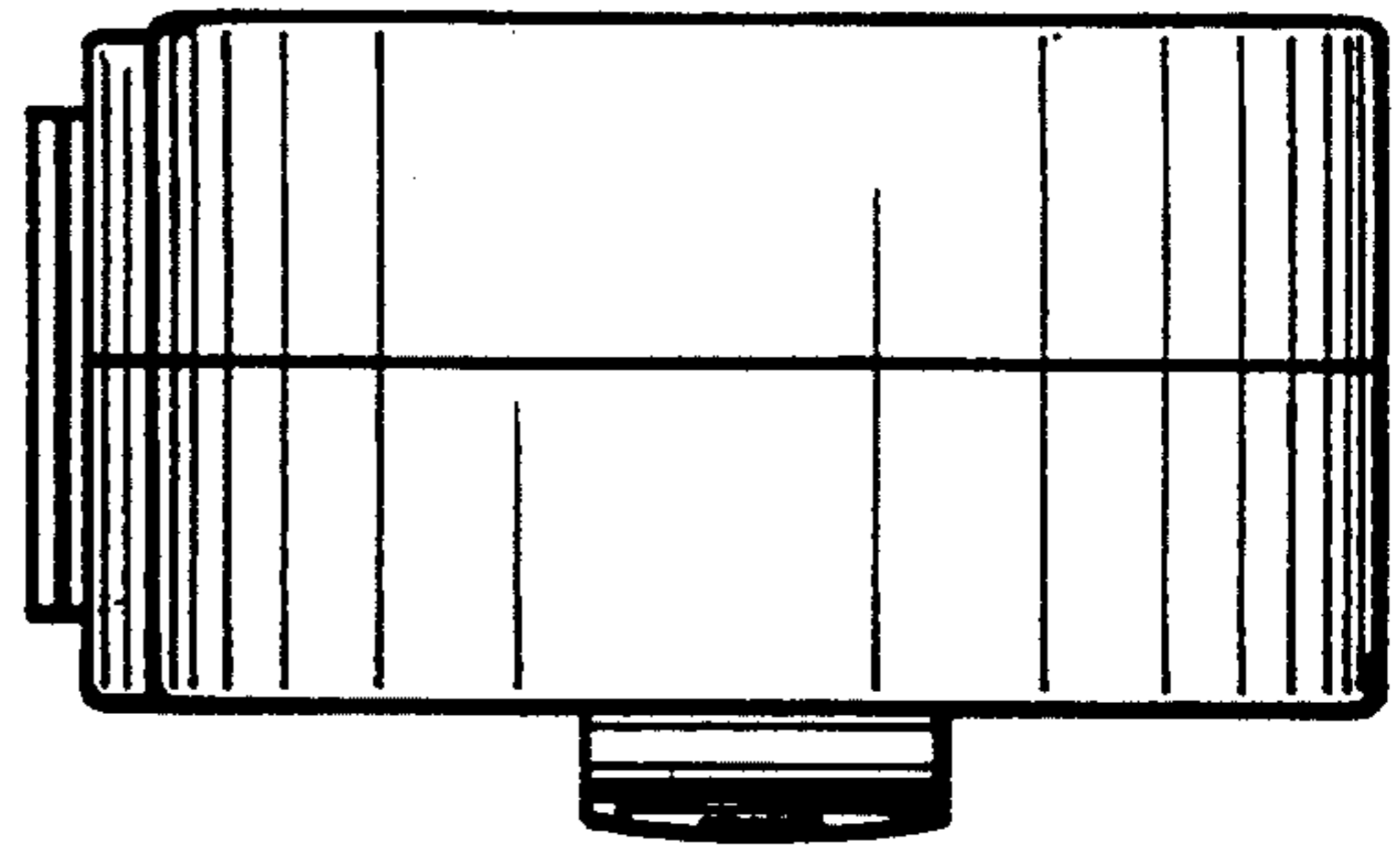
**FIG. 3**



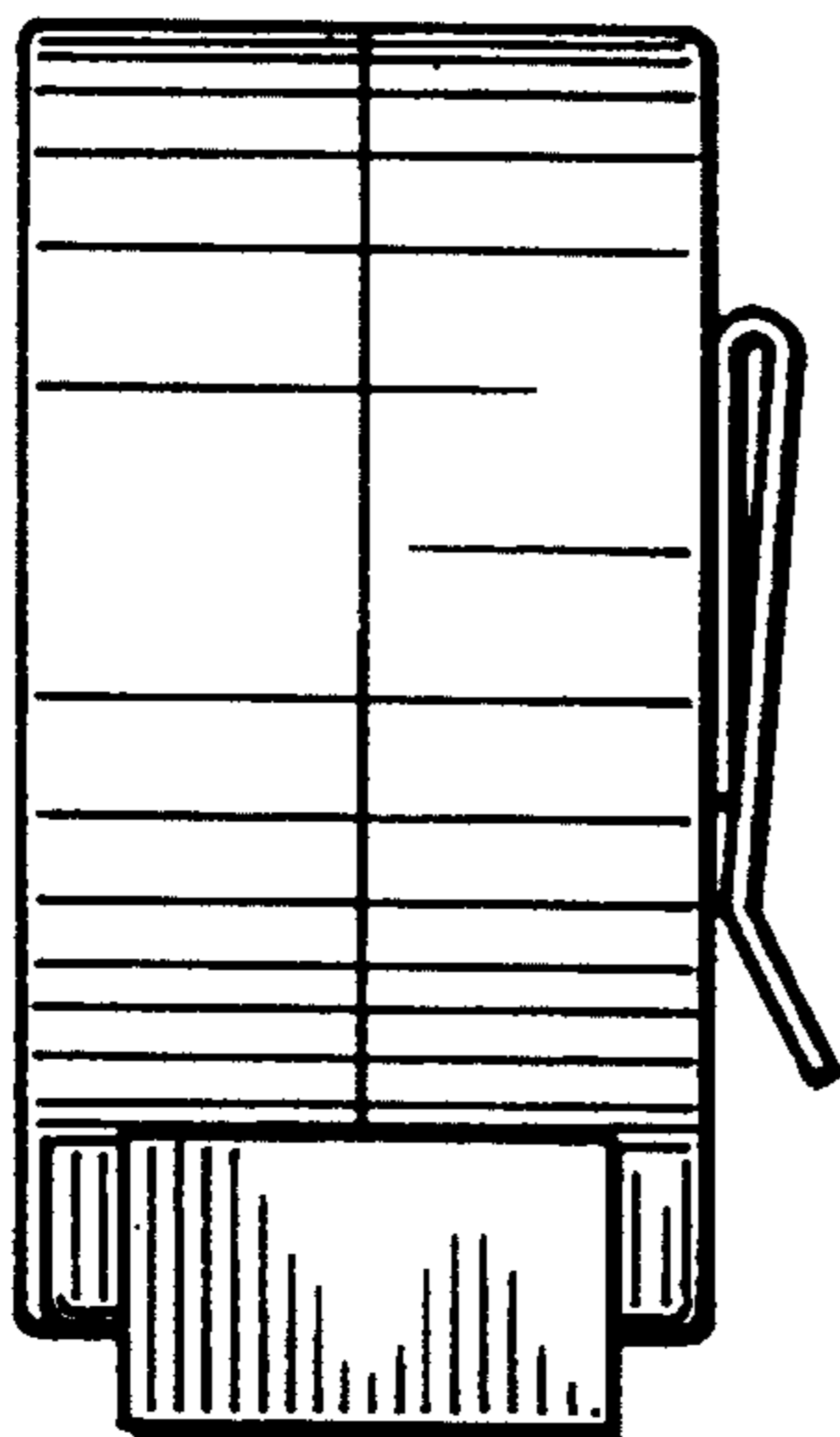
**FIG. 4**



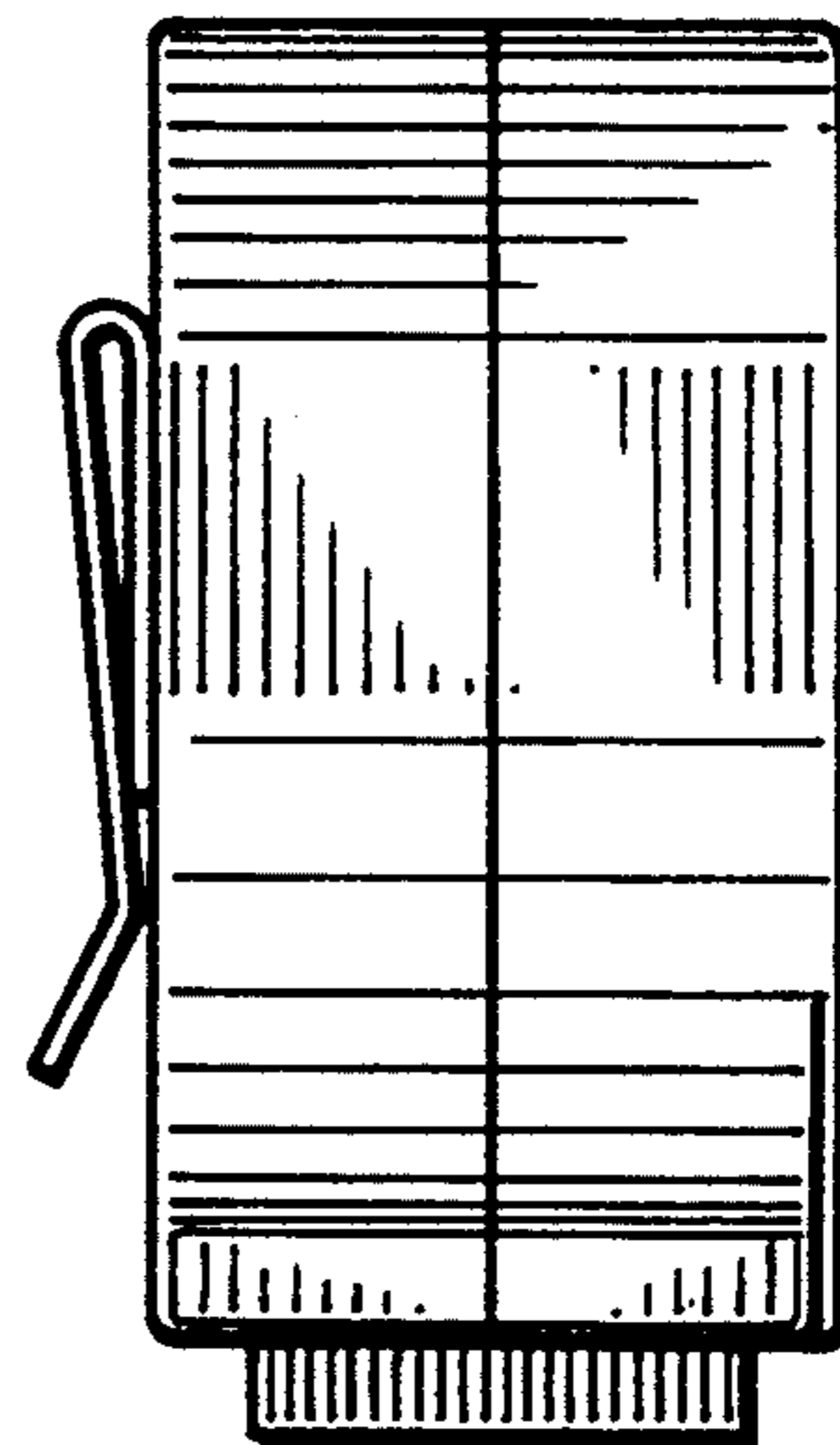
**FIG. 5**



**FIG. 6**



**FIG. 7**



**FIG. 8**

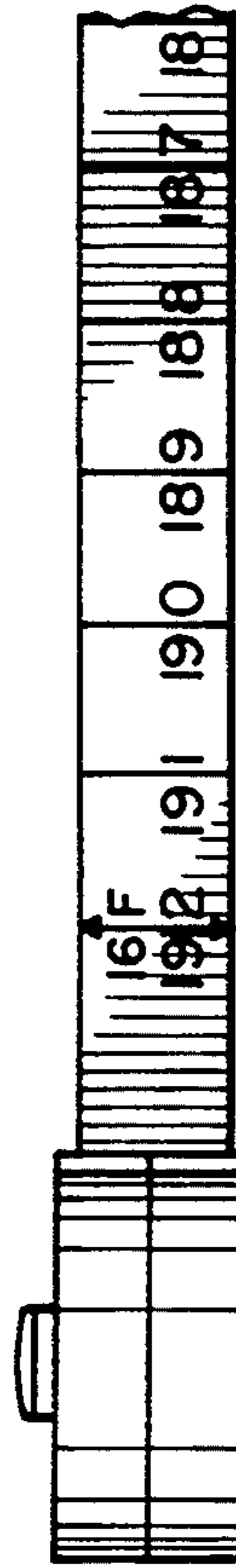
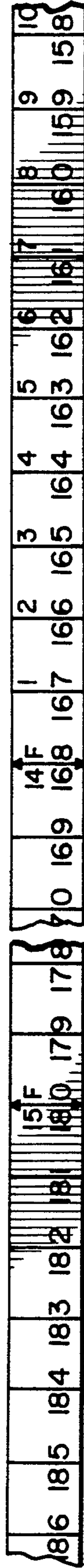
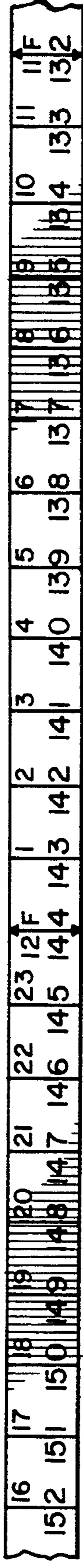
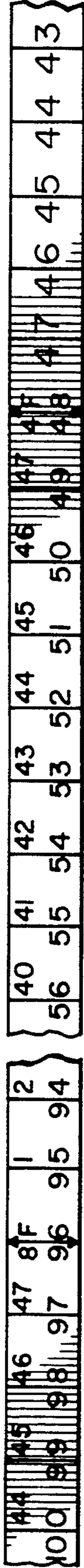


FIG. 9