



US00D350701S

United States Patent [19]
Pan

[11] **Patent Number: Des. 350,701**

[45] **Date of Patent: ** Sep. 20, 1994**

[54] **BATTERY CHECKER**

[75] **Inventor: Hui-Jen Pan, Keelung, Taiwan**

[73] **Assignee: Guardforce Corporation, Taipei, Taiwan**

[**] **Term: 14 Years**

[21] **Appl. No.: 6,897**

[22] **Filed: Apr. 12, 1993**

[52] **U.S. Cl. D10/77**

[58] **Field of Search 324/425-450;
340/836; D10/77**

[56] **References Cited**

U.S. PATENT DOCUMENTS

- D. 252,502 7/1979 Kelly, III D10/77
- 4,514,695 4/1985 Lau 340/636 X
- 4,839,597 6/1989 Rowland 324/426 X

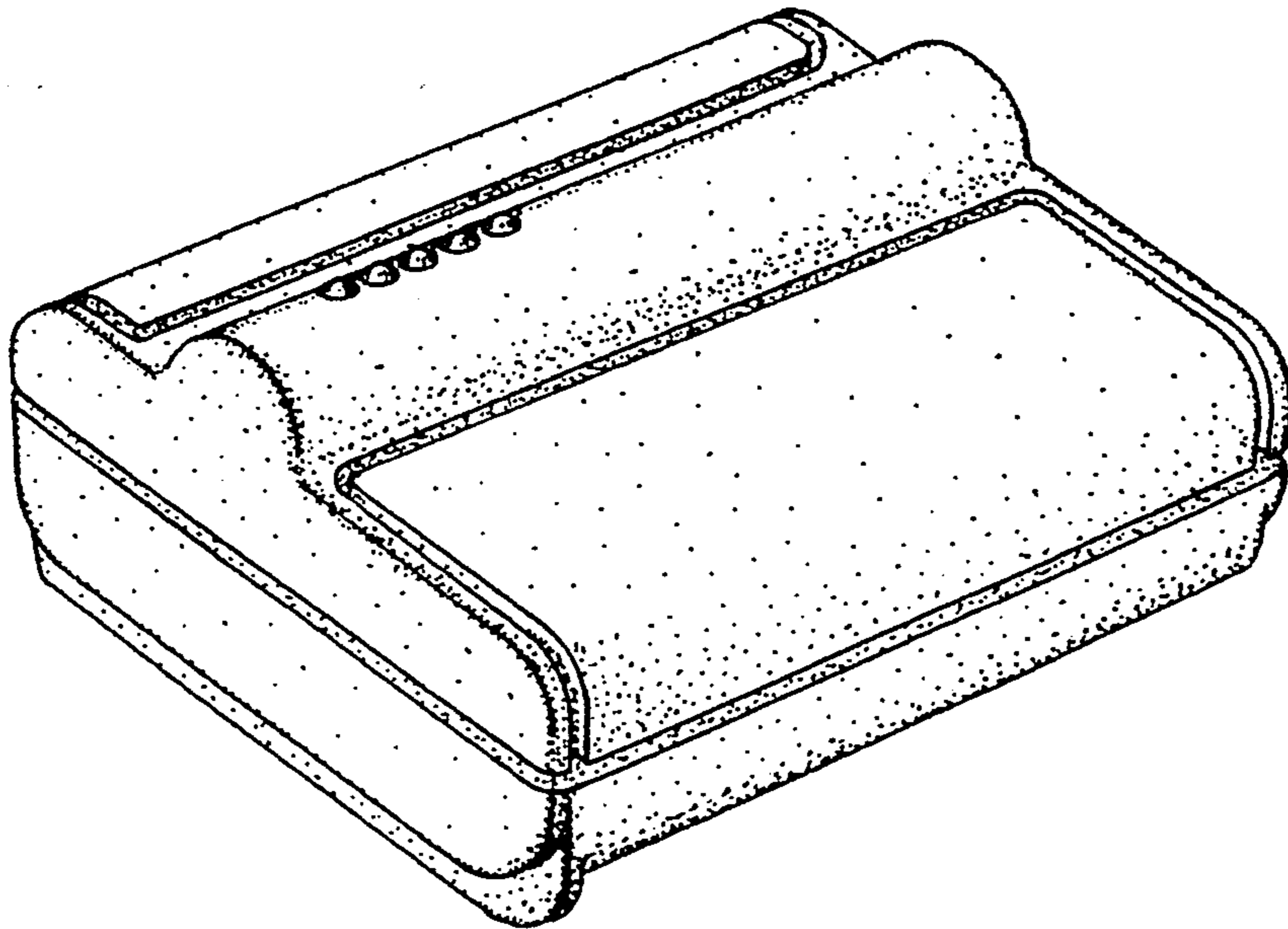
Primary Examiner—Alan P. Douglas
Assistant Examiner—Antoine D. Davis
Attorney, Agent, or Firm—Charles W. Chandler

[57] **CLAIM**

The ornamental design of a battery checker, as shown and described.

DESCRIPTION

FIG. 1 is a front elevational view of a battery checker illustrating my new design;
FIG. 2 is a rear elevational view thereof;
FIG. 3 is a view as seen from the top of FIG. 1;
FIG. 4 is a view as seen from the bottom of FIG. 1;
FIG. 5 is a view as seen from the left side of FIG. 1;
FIG. 6 is a view as seen from the right side of FIG. 1;
FIG. 7 is a perspective view showing the front and top of the design; and,
FIG. 8 is a perspective view showing the bottom and rear of the design.



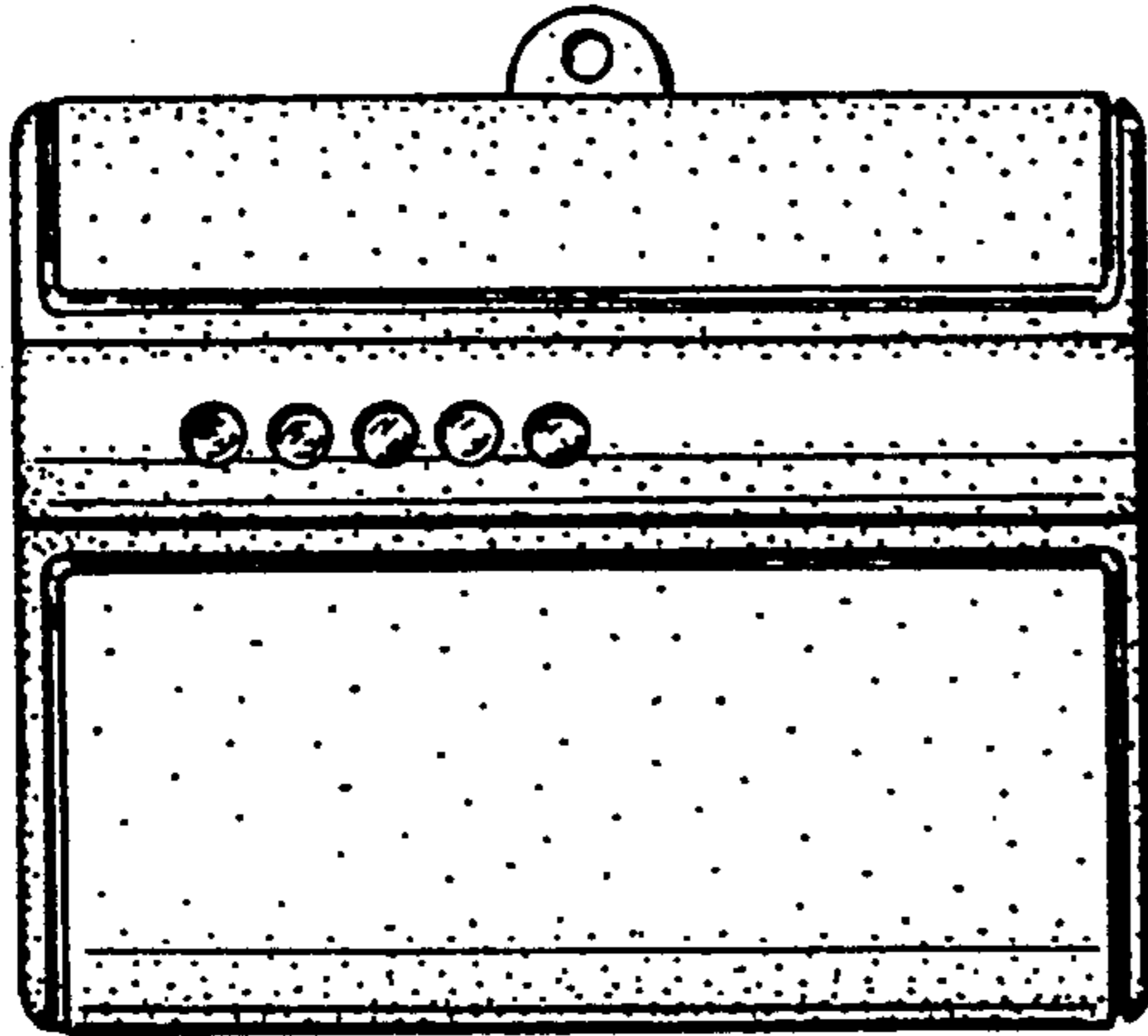


FIG. 1

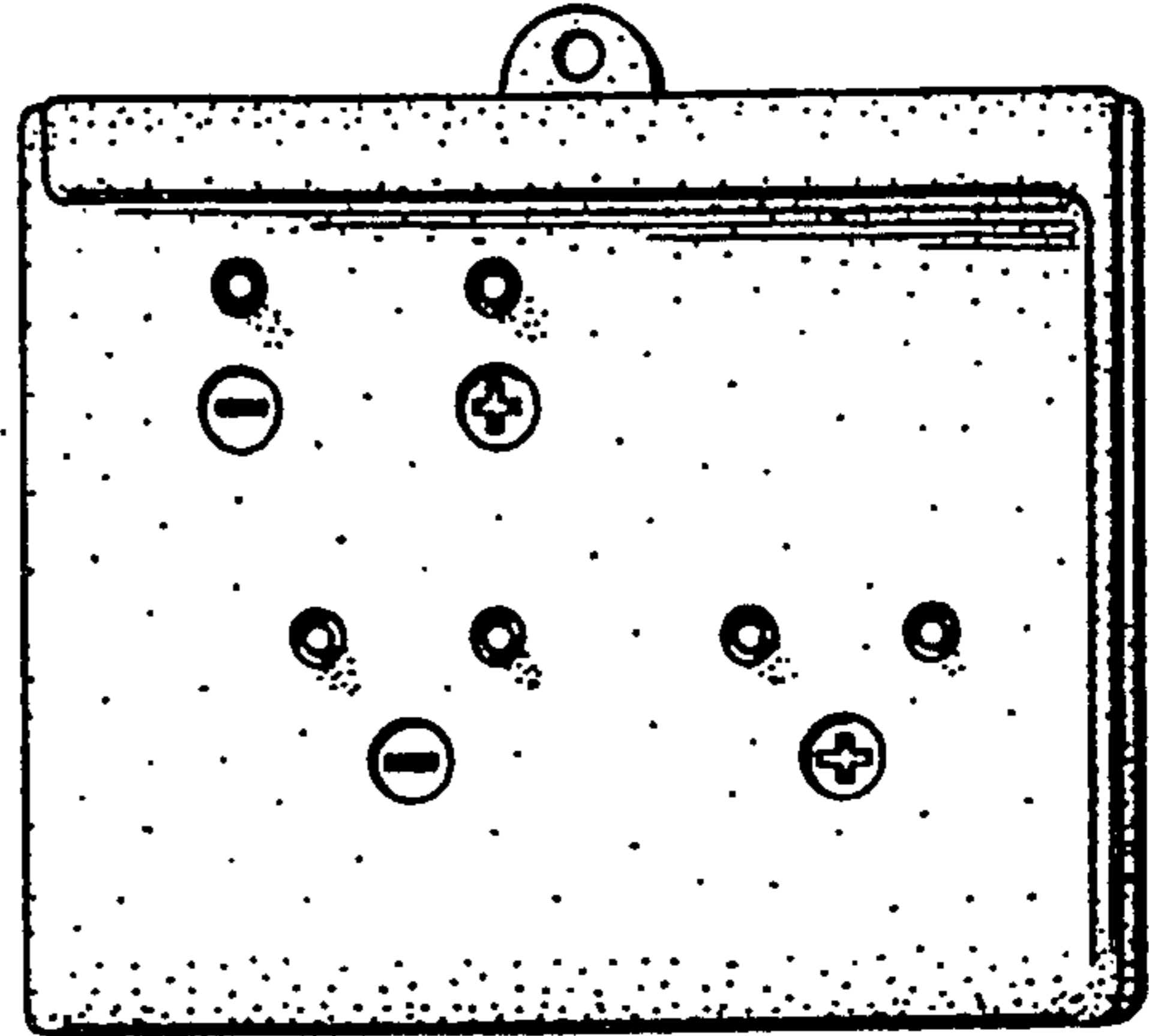


FIG. 2

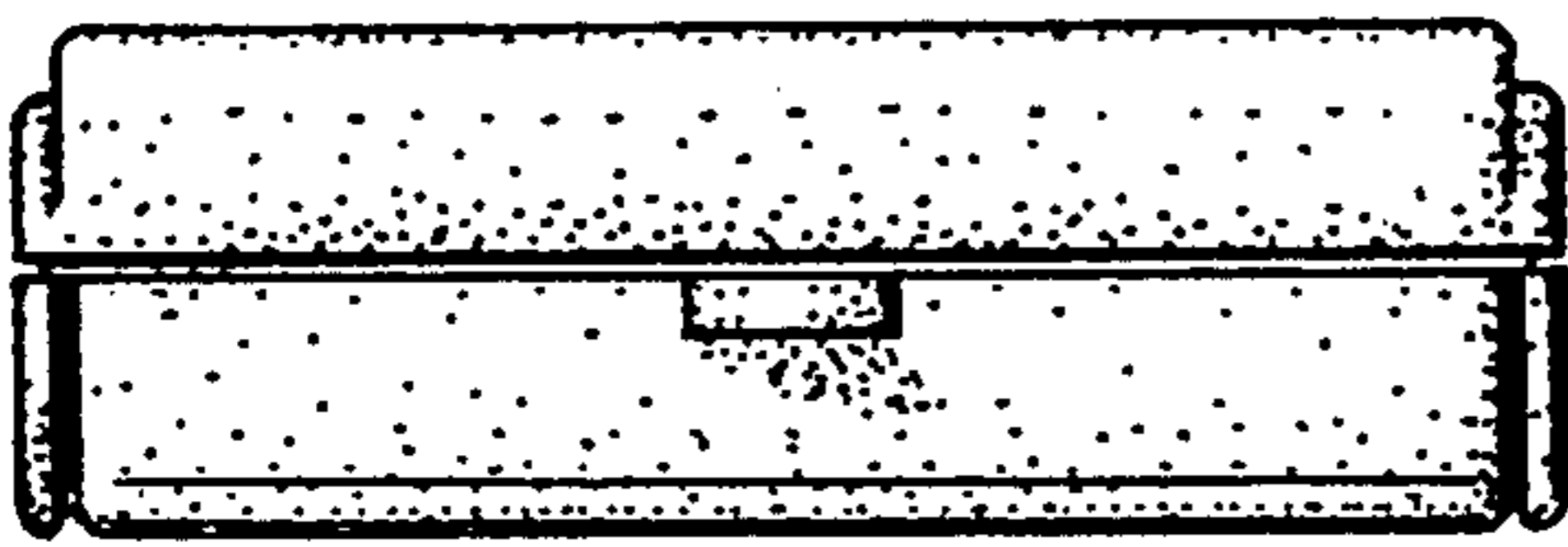


FIG. 3

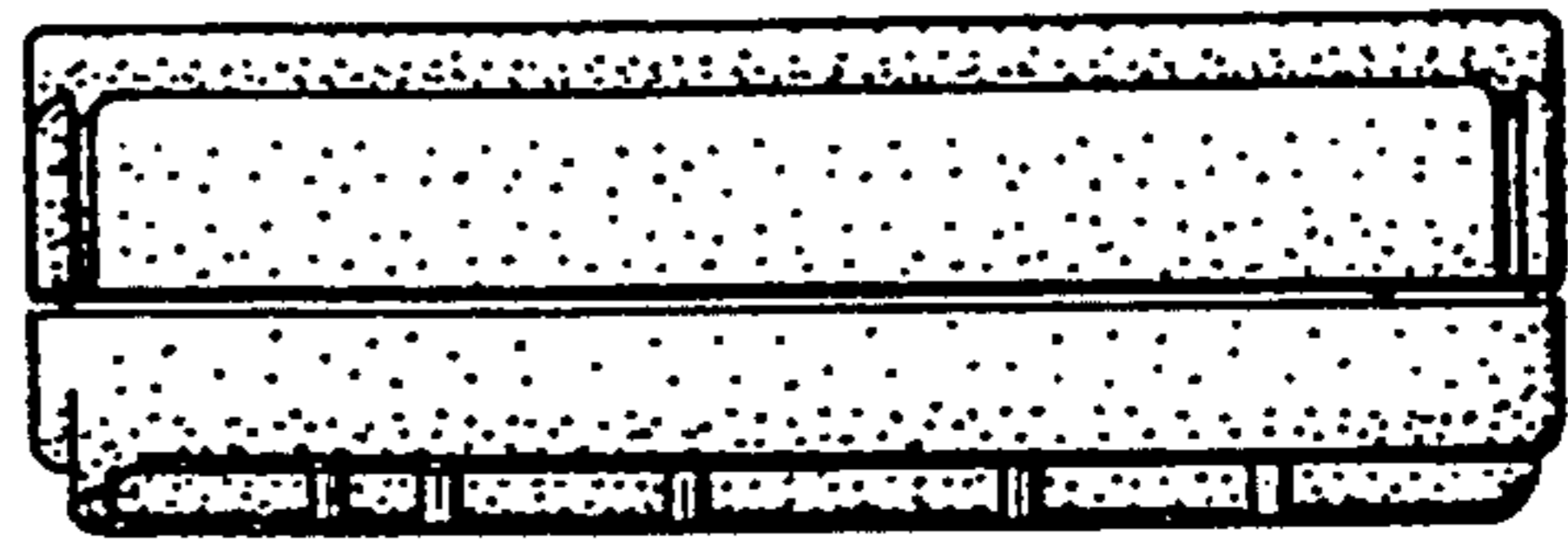


FIG. 4

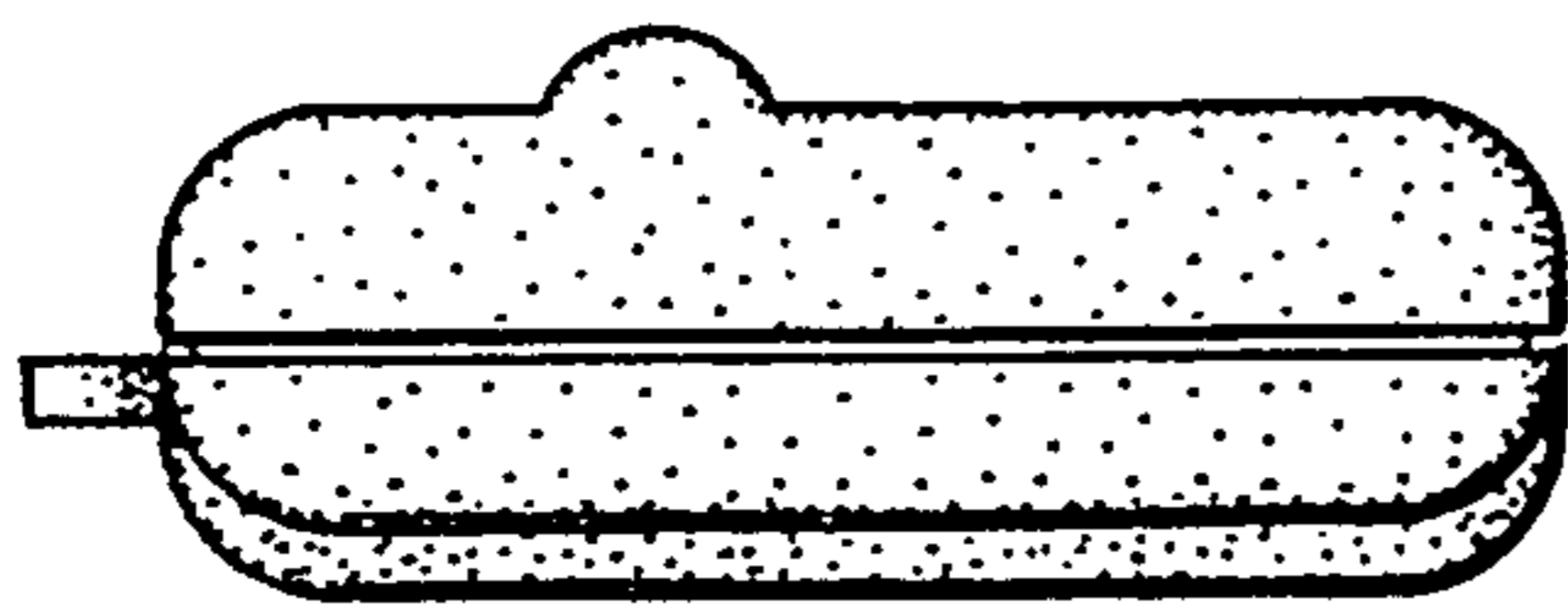


FIG. 5

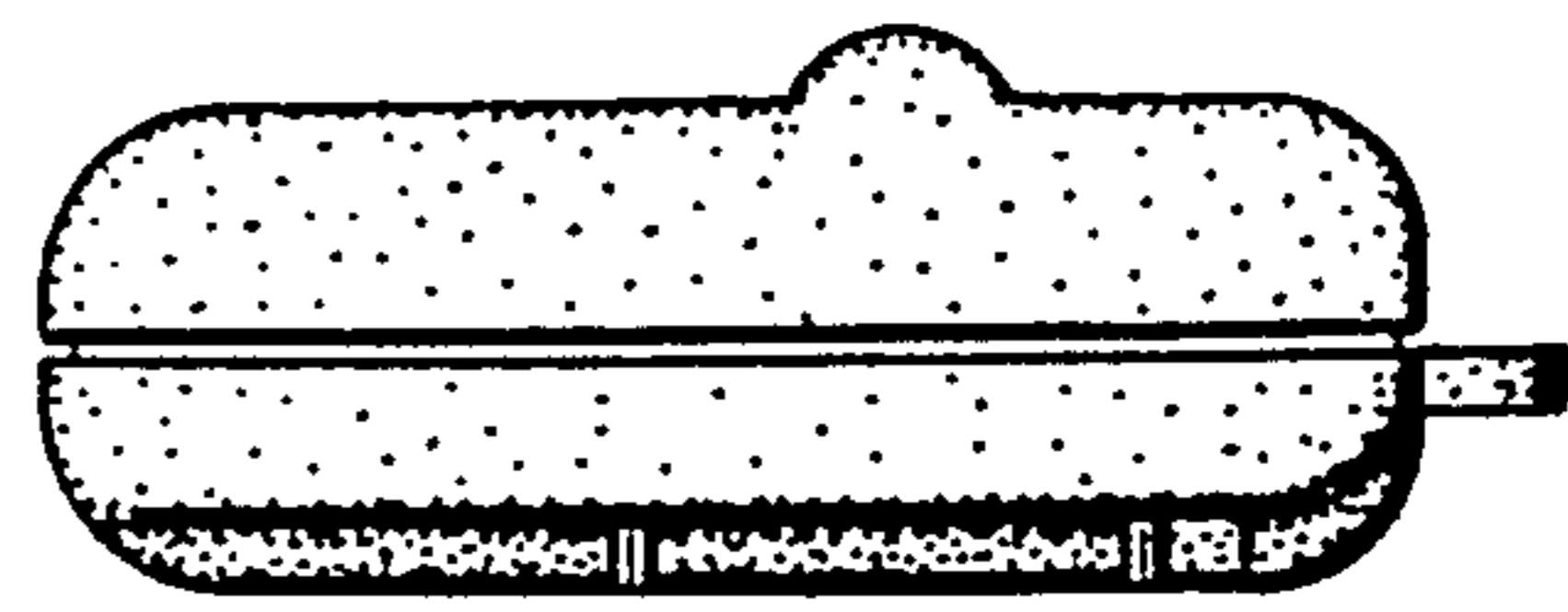


FIG. 6

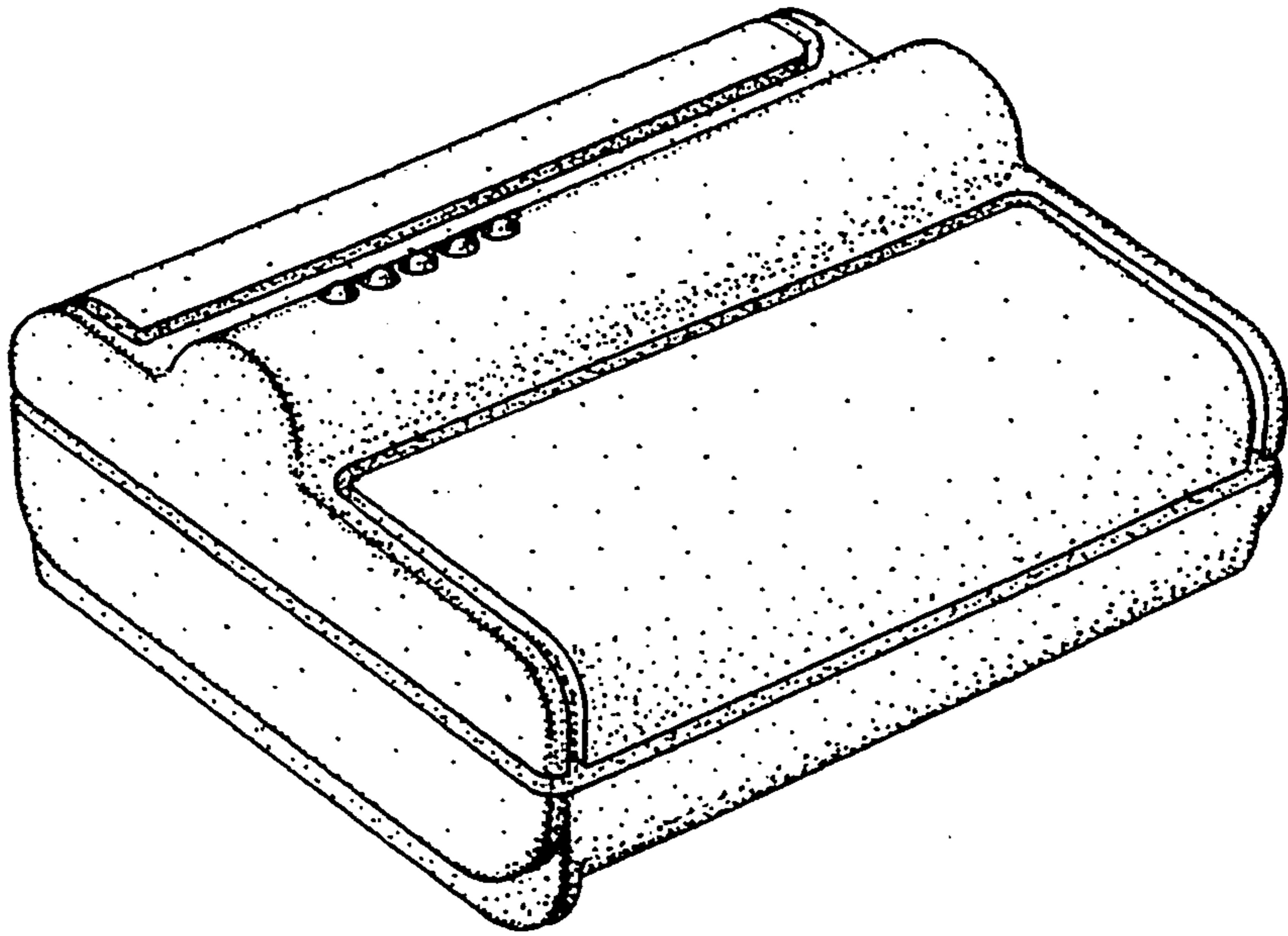


FIG. 7

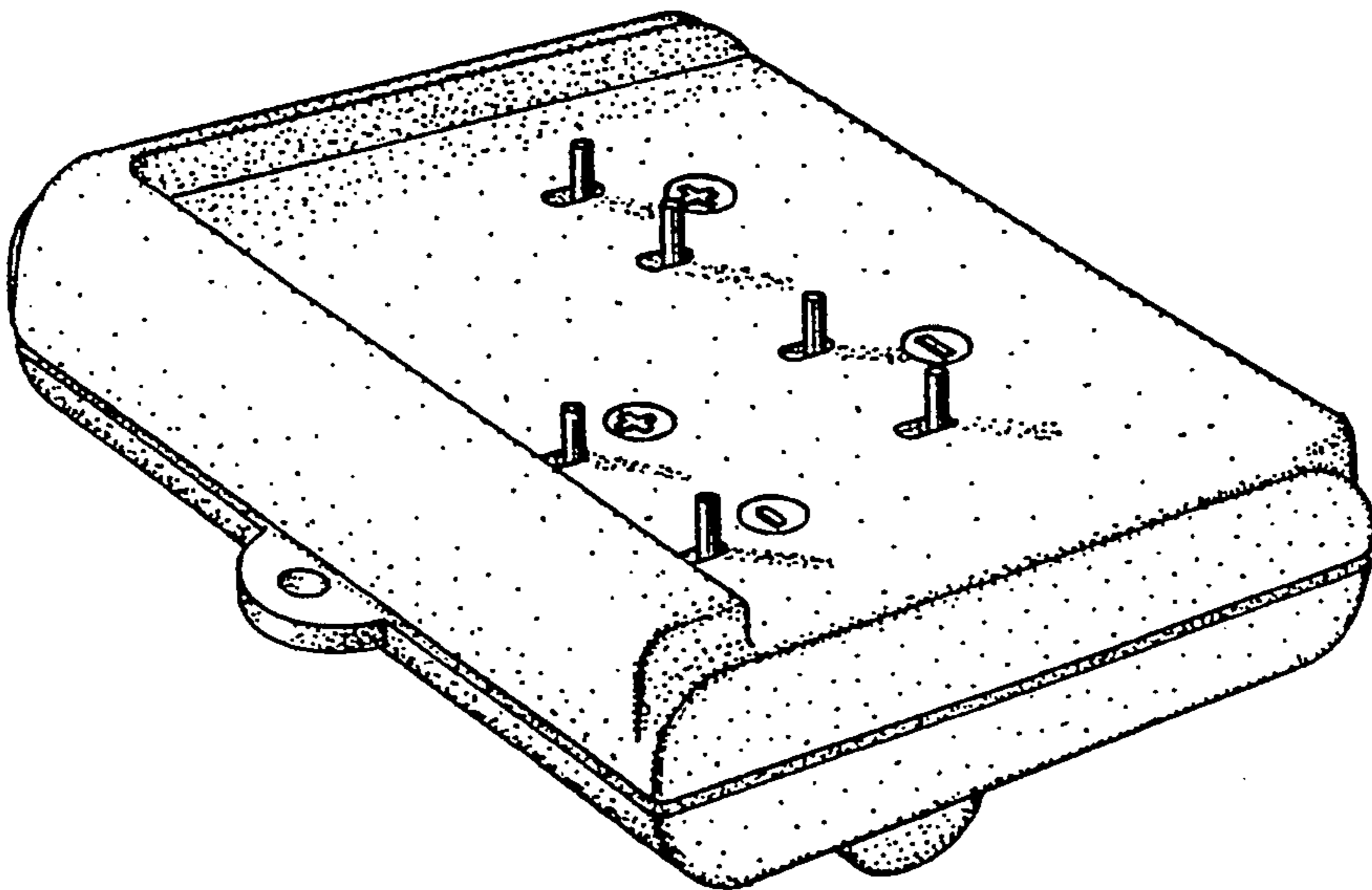


FIG. 8