



US00D350696S

United States Patent [19]

[11] Patent Number: **Des. 350,696**

Näslund

[45] Date of Patent: **** Sep. 20, 1994**

[54] **BAG CLIP**

[75] Inventor: **Ingemar Näslund, Huddinge, Sweden**

[73] Assignee: **Weland Medical AB, Smalandsstenar, Sweden**

[**] Term: **14 Years**

[21] Appl. No.: **930,624**

[22] Filed: **Aug. 17, 1992**

[30] **Foreign Application Priority Data**

Feb. 20, 1992 [SE] Sweden 92-0376

[52] U.S. Cl. **D9/443; D9/434**

[58] Field of Search **D8/349, 394, 395; D9/434, 435, 443; 24/30.5 R, 470, 483, 489, 543, 563**

[56] **References Cited**

U.S. PATENT DOCUMENTS

- D. 299,008 12/1988 Näslund D9/434 X
- D. 301,548 6/1989 Weaver D9/443 X
- D. 312,403 11/1990 Furutsu D9/434
- D. 329,374 9/1992 Kaga D8/394

- D. 333,786 3/1993 Carroll D9/435
- 4,623,102 11/1986 Hough, Jr. 24/543 X
- 4,742,601 5/1988 Furutsu 24/30.5 R
- 4,887,335 12/1989 Folkmar 24/30.5 R
- 5,050,272 9/1991 Robinson et al. 24/543 X
- 5,123,146 6/1992 Olson 24/30.5 R

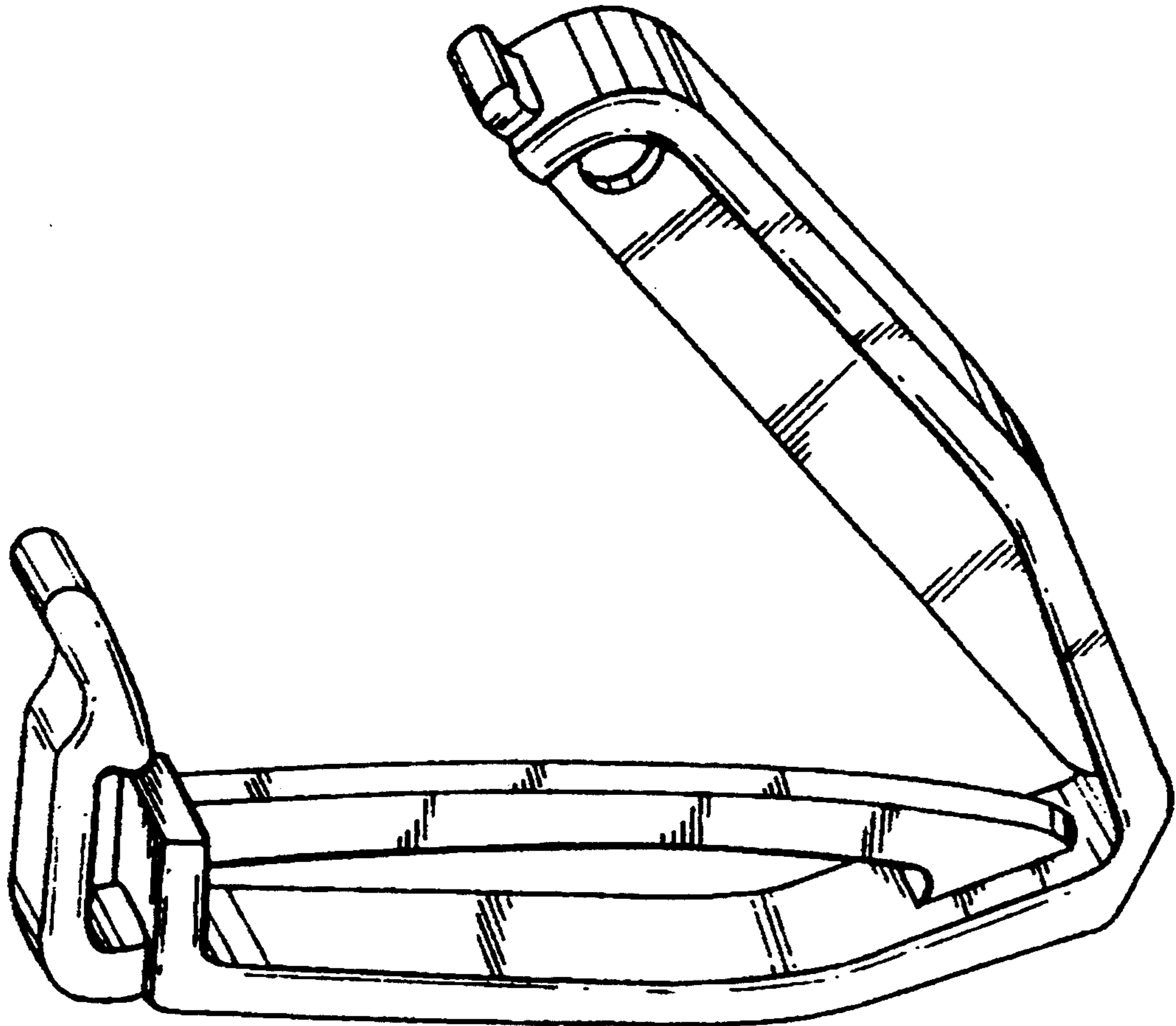
Primary Examiner—Alan P. Douglas
Assistant Examiner—Robert M. Spear
Attorney, Agent, or Firm—Beveridge, DeGrandi, Weilacher & Young

[57] **CLAIM**

The ornamental design for a bag clip, as shown and described.

DESCRIPTION

FIG. 1 is an elevational view of a first side of a bag clip showing my new design; FIG. 2 is an elevational view of an opposite side thereof; FIG. 3 is a top plan view thereof; FIG. 4 is a bottom view thereof; FIG. 5 is a front elevational view thereof; FIG. 6 is a rear elevational view thereof; and, FIG. 7 shows a perspective view thereof in an open state.



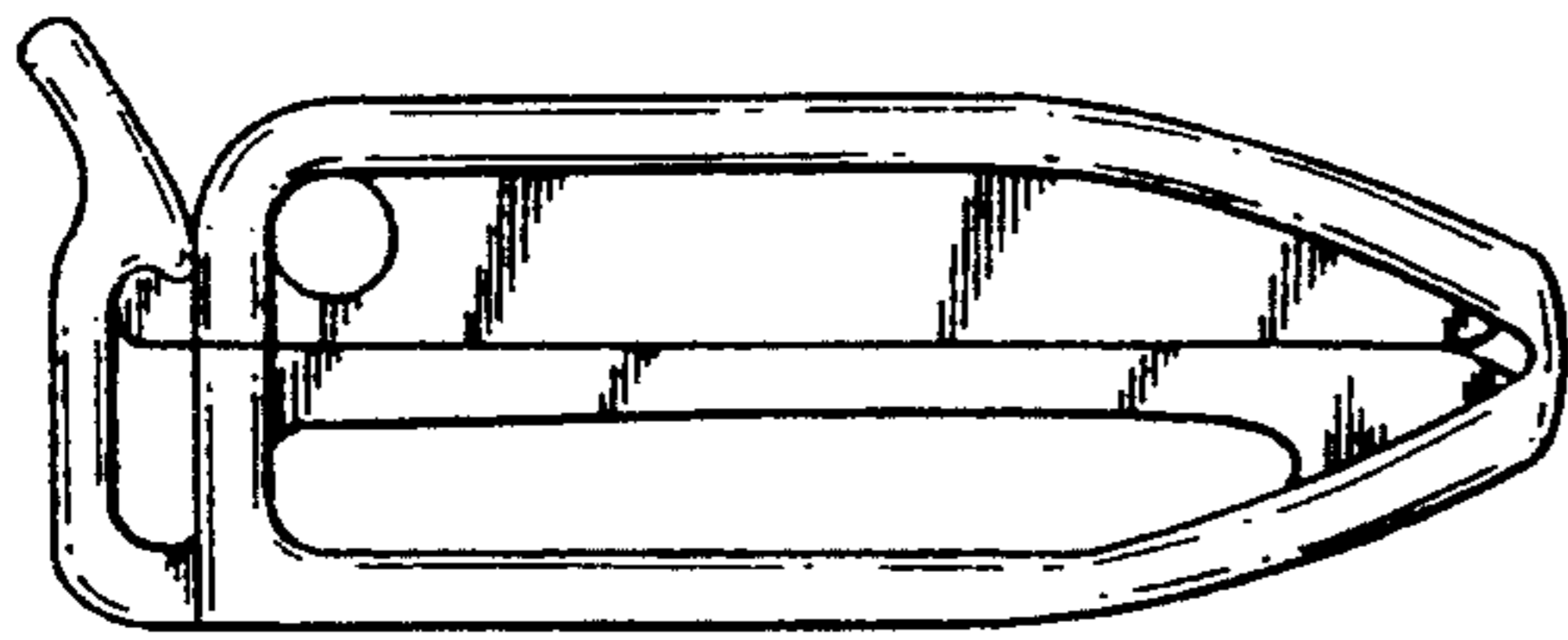


FIG. 1

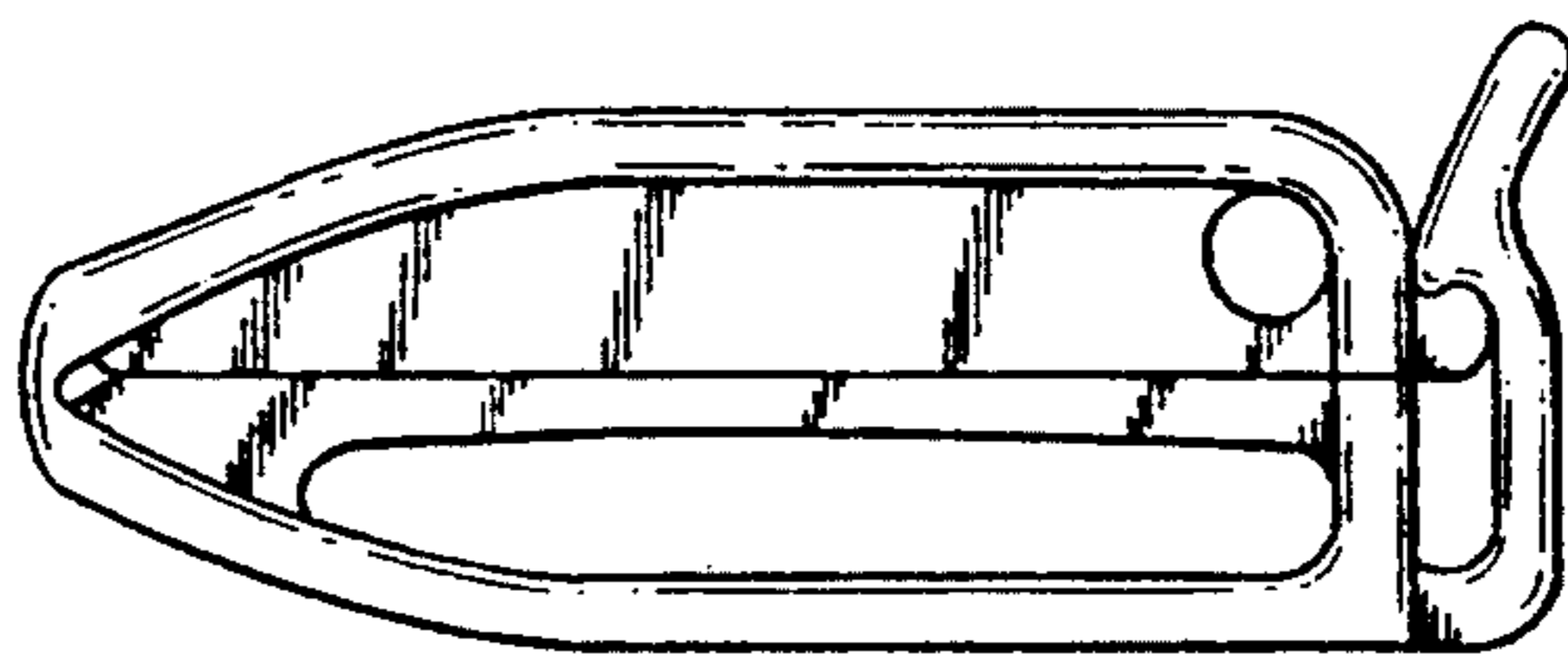


FIG. 2

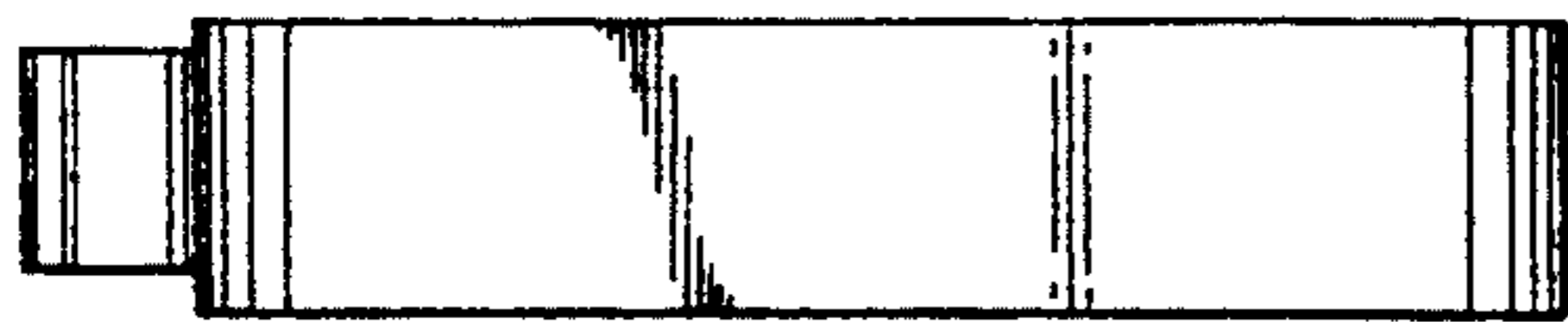


FIG. 3

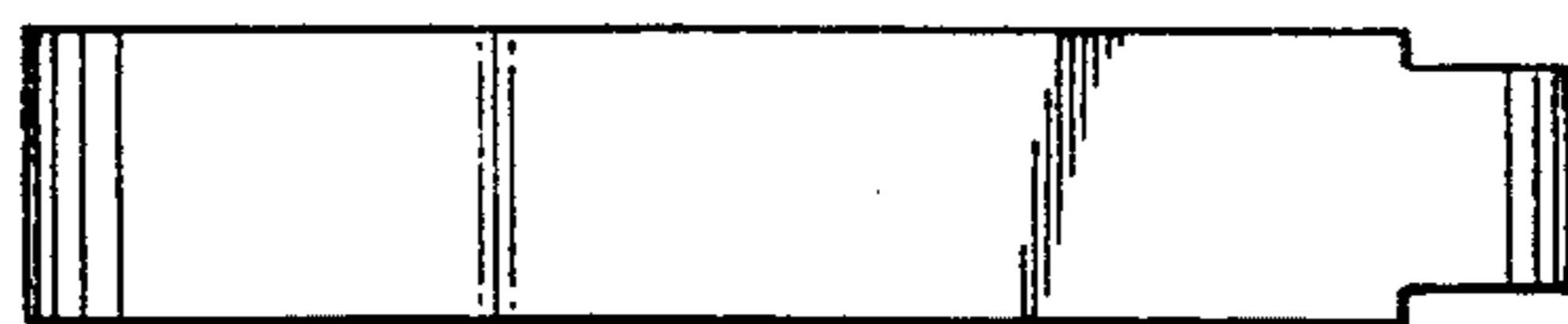


FIG. 4

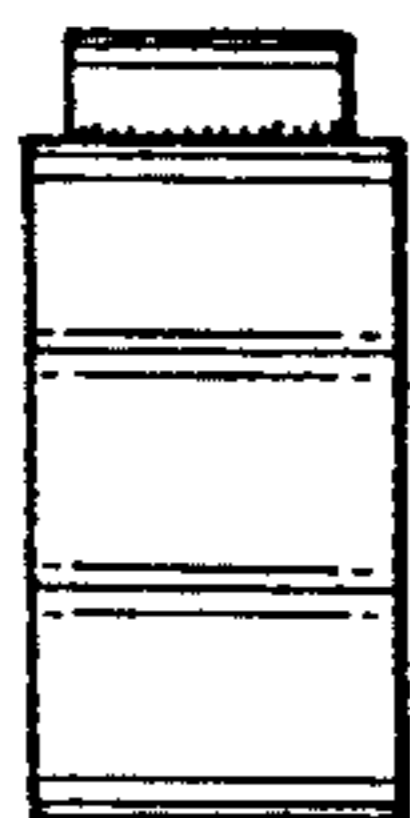


FIG. 5

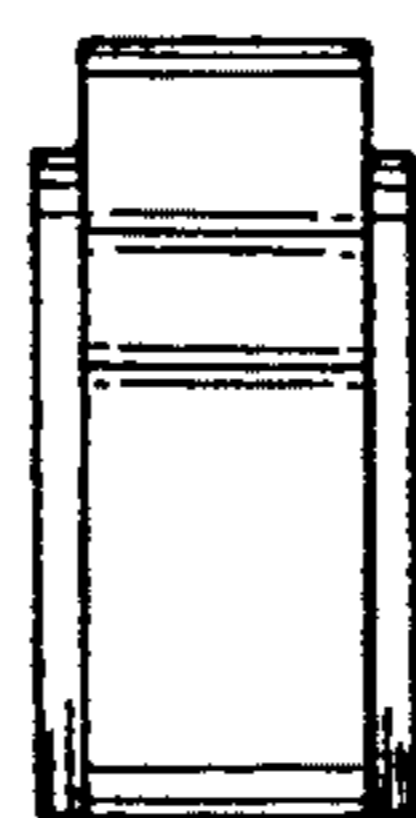


FIG. 6

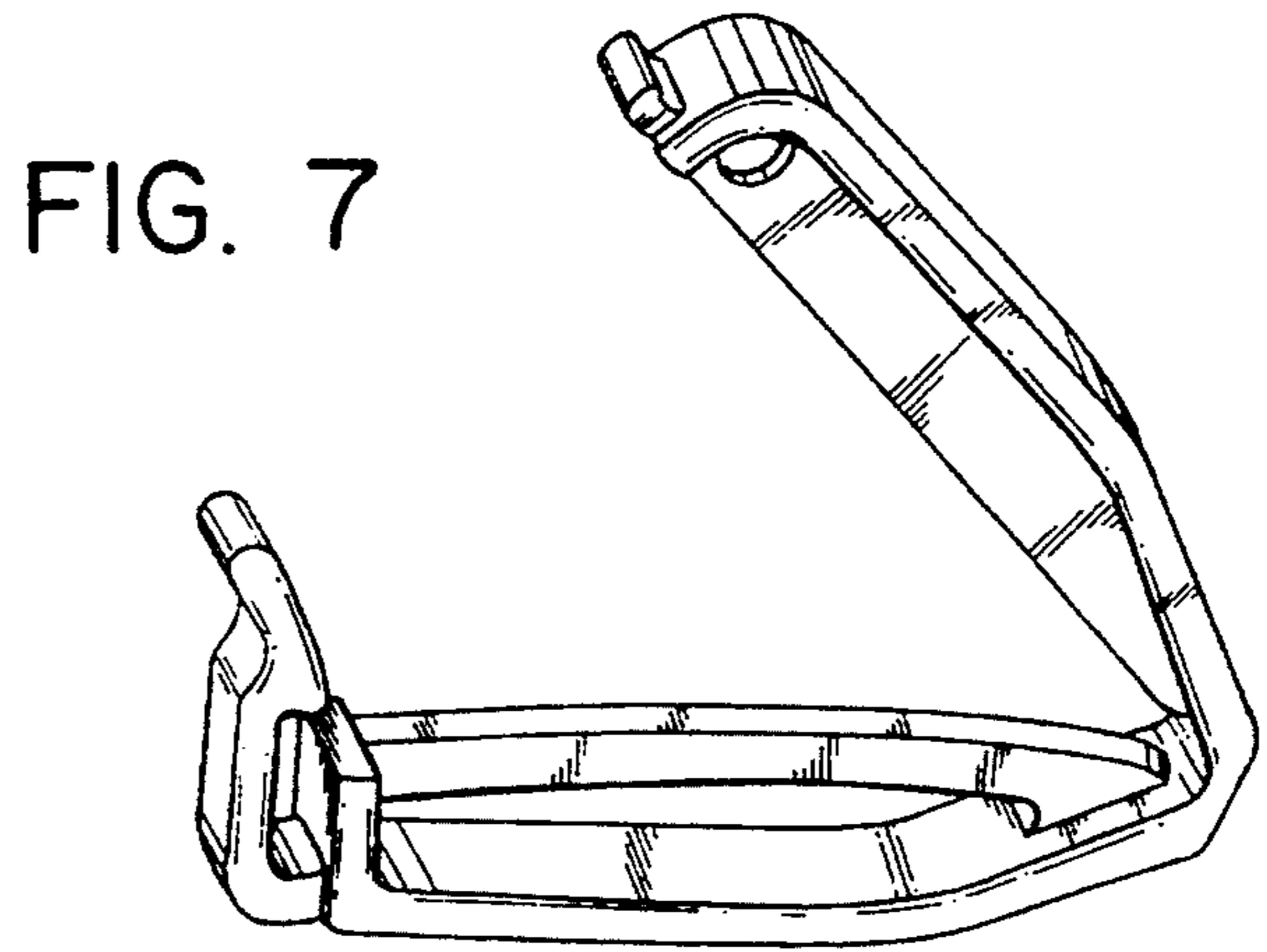


FIG. 7