



US00D350695S

United States Patent [19]

[11] Patent Number: **Des. 350,695**

Adami et al.

[45] Date of Patent: **** Sep. 20, 1994**

[54] **MULTIPLE BOTTLE CARRIER**

[75] Inventors: **Arthur E. Adami**, Andover, Mass.;
Christopher P. Amberg, Owings Mills, Md.

[73] Assignee: **Sweetheart Cup Company Inc.**,
Owings Mills, Md.

[**] Term: **14 Years**

[21] Appl. No.: **845,338**

[22] Filed: **Mar. 5, 1992**

[52] U.S. Cl. **D9/455; D9/434**

[58] Field of Search **D9/344-345,**
D9/434, 443, 455, 499; 206/143, 145, 147-148,
150-151, 162; 220/752, 754, 756, 758, 769

5,096,246 3/1992 Cnare 294/87.2
5,133,472 7/1992 Koda et al. 220/769
5,199,562 4/1993 Adami et al. 206/151

FOREIGN PATENT DOCUMENTS

686614 5/1964 Canada 206/145 X
1423952 11/1965 France 294/87.2
2612496 9/1988 France .
2221666 2/1990 United Kingdom .

Primary Examiner—Alan P. Douglas
Assistant Examiner—Robert M. Spear
Attorney, Agent, or Firm—Nixon & Vanderhye

[57] CLAIM

The ornamental design for a multiple bottle carrier, as shown and described.

DESCRIPTION

FIG. 1 is a perspective view of a multiple bottle carrier which embodies my new design;
FIG. 2 is a top plan view of the multiple bottle carrier shown in FIG. 1;
FIG. 3 is a right side elevation view of the multiple bottle carrier shown in FIG. 1, the left side elevation view being a mirror image thereof;
FIG. 4 is a bottom plan view of the multiple bottle carrier shown in FIG. 1; and,
FIG. 5 is a front end elevation view of the multiple bottle carrier shown in FIG. 1, the rear end elevation view being a mirror image thereof.
The broken line showing of multiple bottles is for illustrative purposes only and forms no part of the claimed design.

[56] References Cited

U.S. PATENT DOCUMENTS

3,387,879	6/1968	Wood	294/87.2
3,528,697	9/1970	Wood	294/87.2
4,326,628	4/1982	Wood	206/158
4,339,032	7/1982	Wood	206/158
4,360,231	11/1982	Bolin	294/87.2
4,372,599	2/1983	Kiedaisch et al.	294/87.2
4,460,084	7/1984	Miller	206/158
4,509,639	4/1985	Thompson	206/159
4,678,221	7/1987	Josenhans	206/150 X
4,712,680	12/1987	Panazzolo	206/427
4,911,289	3/1990	Bird	206/150
4,917,428	4/1990	Sola	294/87.28
4,936,455	6/1990	Bienaime	206/427

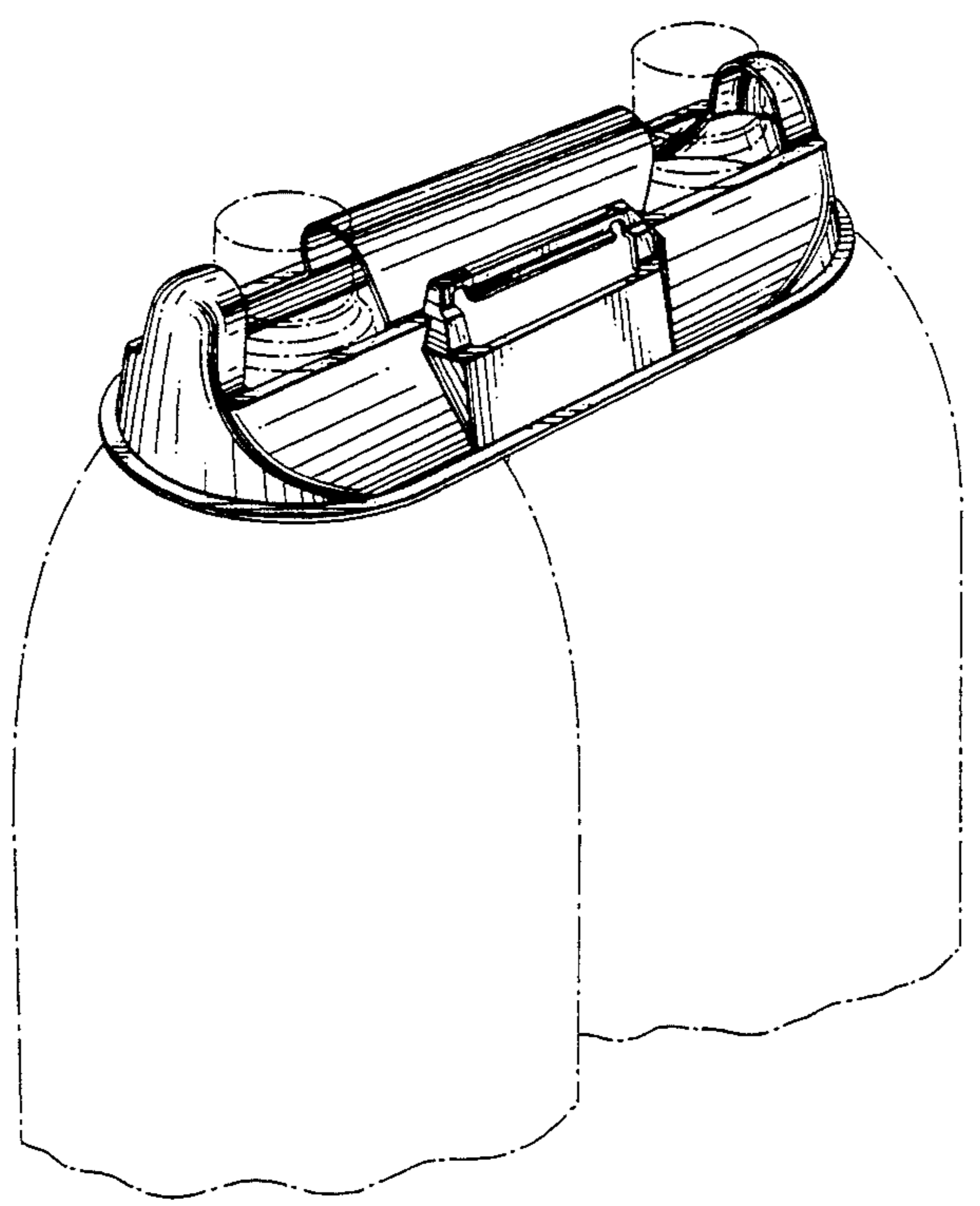
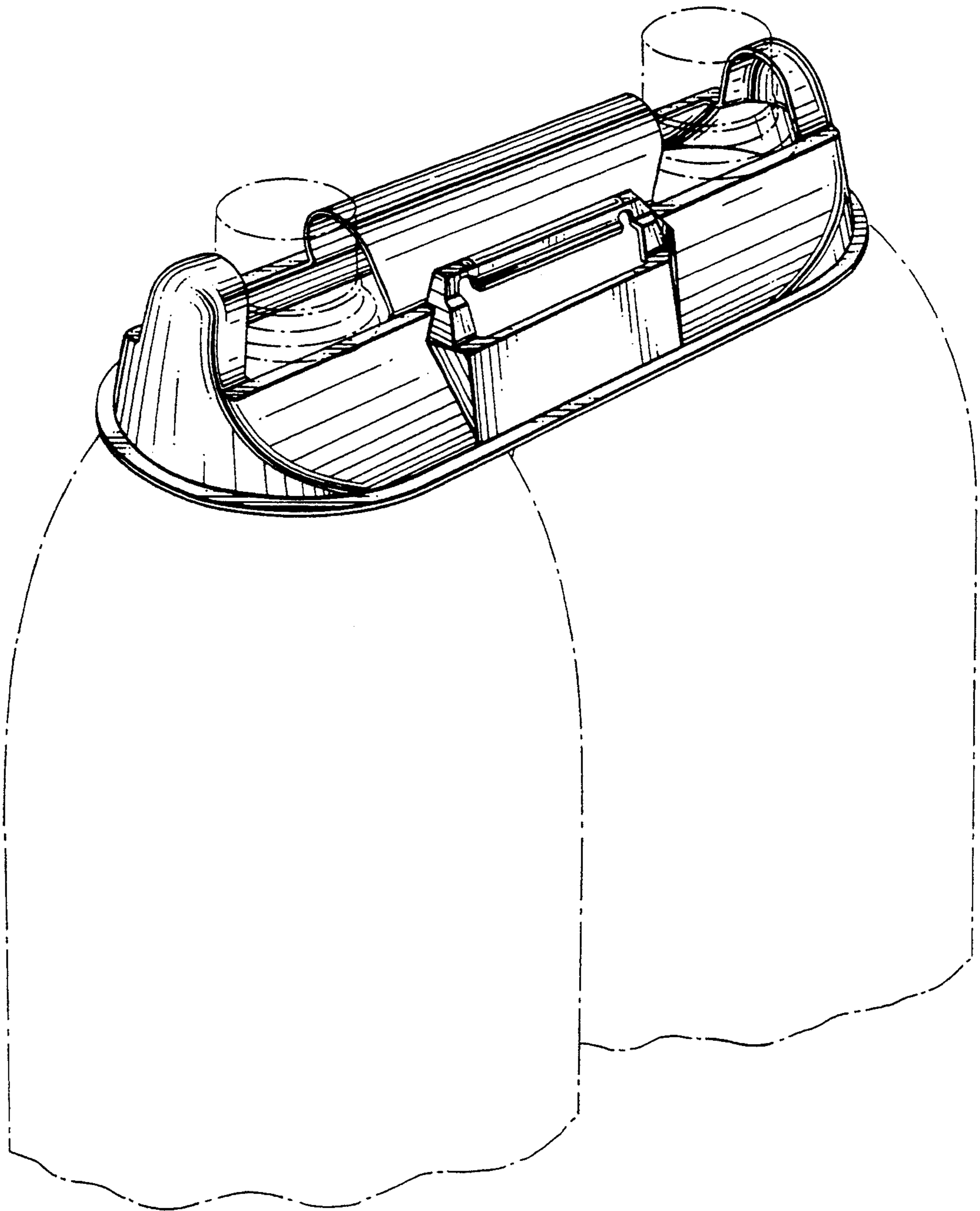


FIG. 1



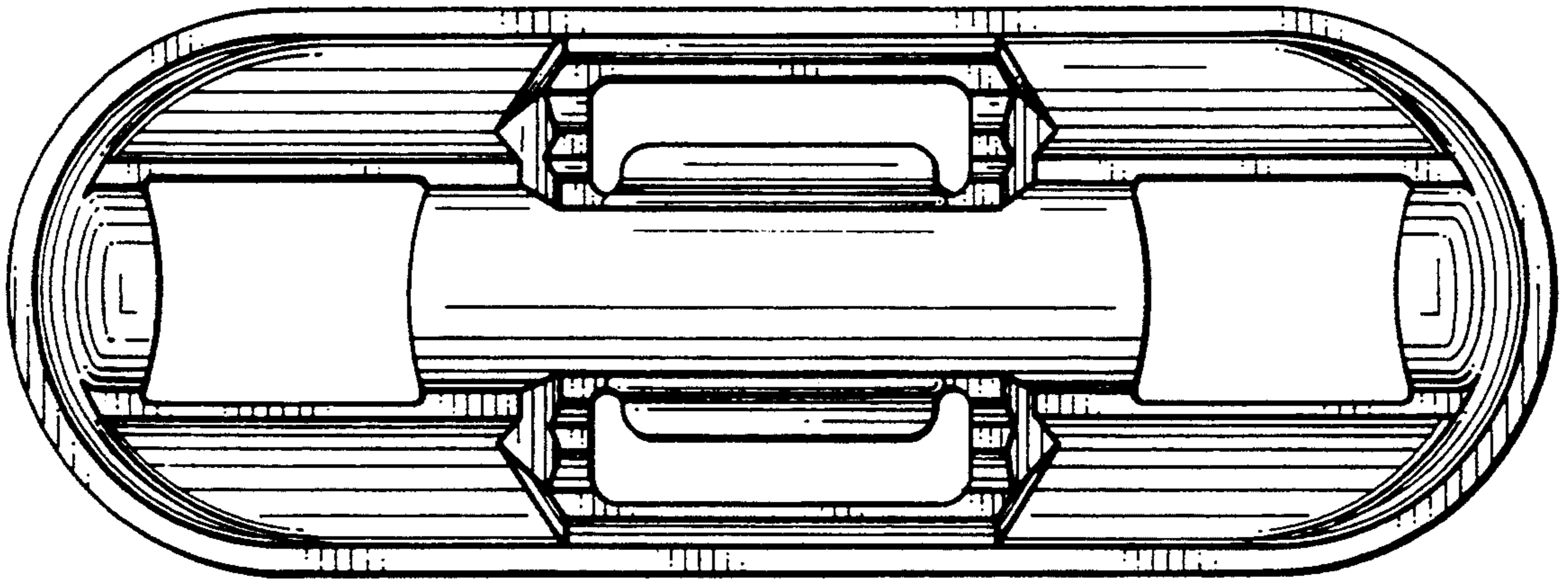
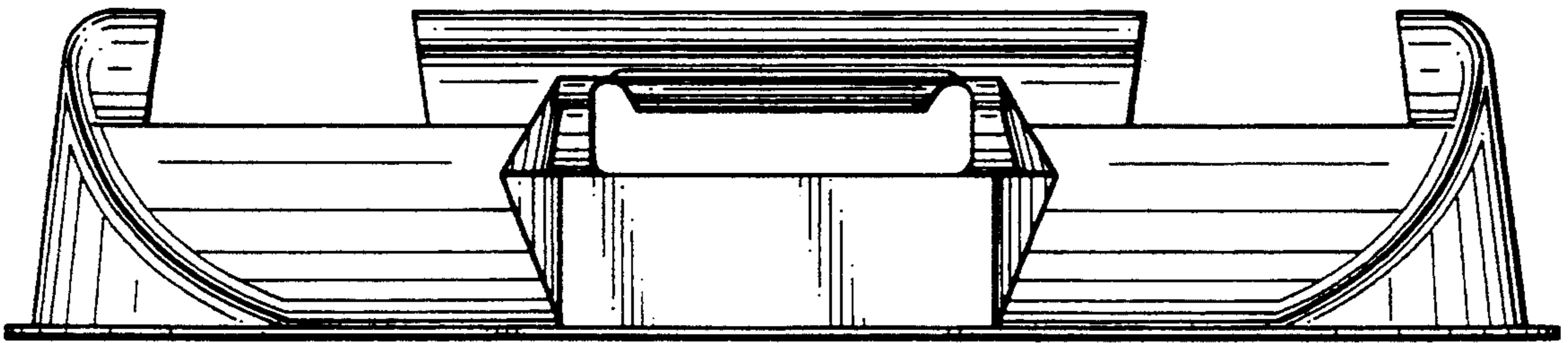


FIG. 2

FIG. 3



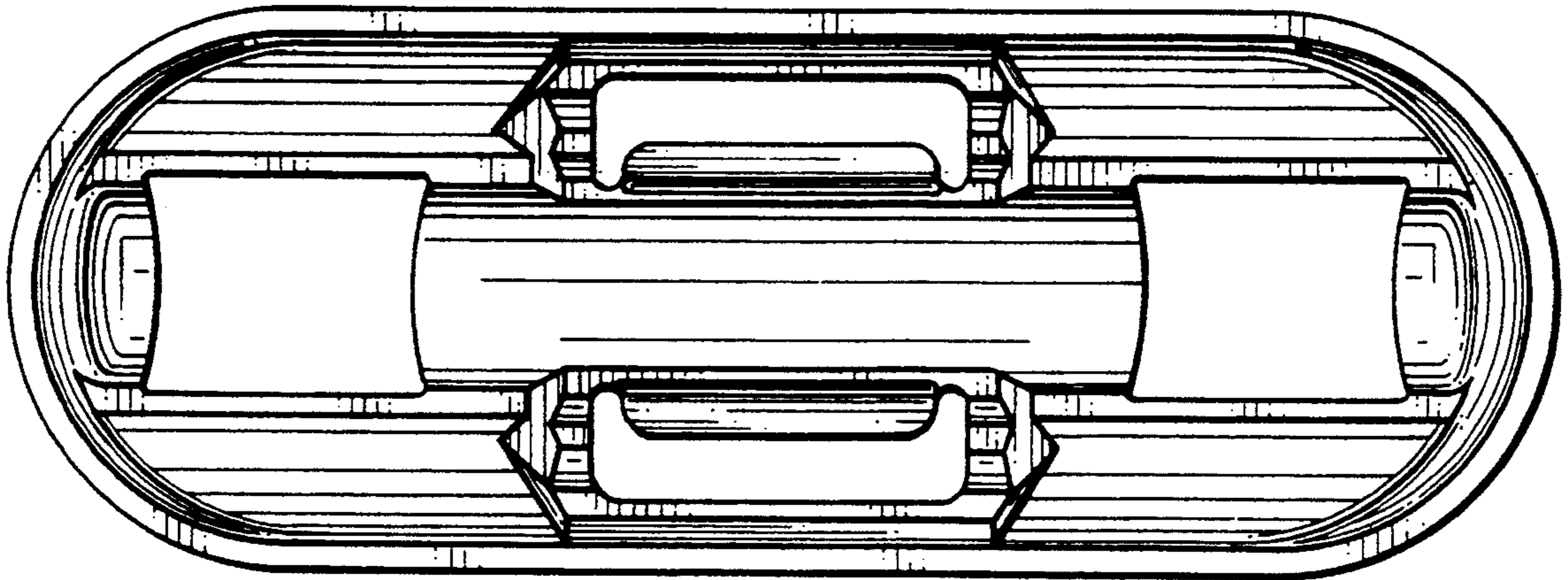


FIG. 4

FIG. 5

