



US00D350694S

# United States Patent [19]

[11] Patent Number: **Des. 350,694**

**Kovacic et al.**

[45] Date of Patent: **\*\* Sep. 20, 1994**

[54] TWIST-OFF CLOSURE

[56] References Cited

[75] Inventors: **Theodore J. Kovacic**, Bedford;  
**Richard H. Kaufman**, Chappaqua,  
both of N.Y.; **Martin M. Bostwick**,  
Norwalk, Conn.; **Donald C.**  
**Crescenzi**, Killingsworth, Conn.;  
**William H. Valls**, Harwinton, Conn.;  
**Thomas Bucaccio**, Westmount,  
Canada

### U.S. PATENT DOCUMENTS

D. 304,683 11/1989 Hofer ..... D9/390  
D. 324,333 3/1992 Griffin et al. .... D9/377  
3,356,244 12/1967 Witchell ..... 215/32  
5,076,452 12/1991 Hashimoto ..... 215/1

*Primary Examiner*—Alan P. Douglas  
*Assistant Examiner*—Robert M. Spear  
*Attorney, Agent, or Firm*—Thomas R. Savoie

[73] Assignee: **Kraft General Foods, Inc.**,  
Northfield, Ill.

[57] CLAIM

The ornamental design for a twist-off closure, as shown and described.

[\*\*] Term: **14 Years**

### DESCRIPTION

[21] Appl. No.: **894,716**

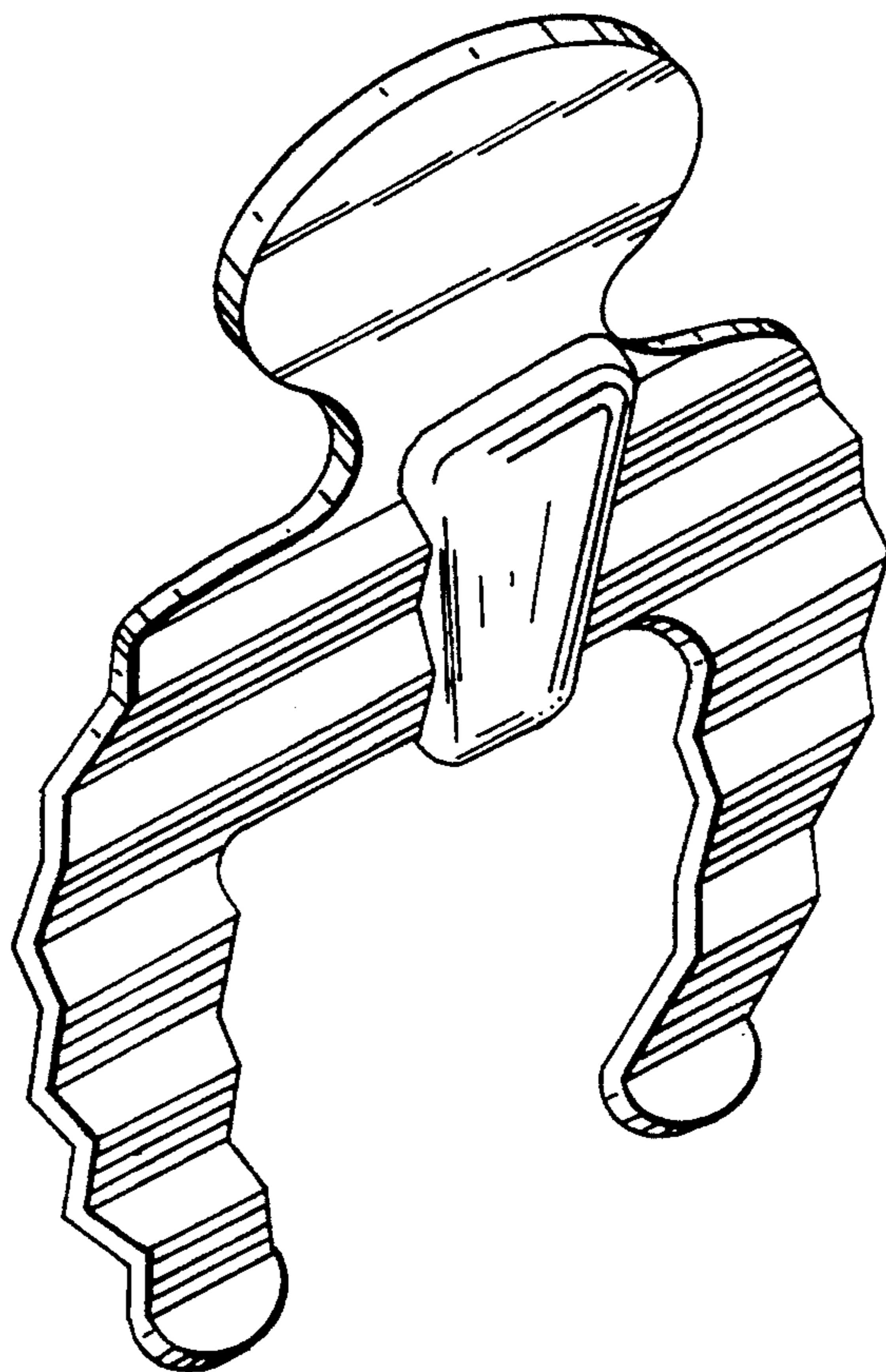
FIG. 1 is a perspective view of a twist-off closure showing our new design;  
FIG. 2 is a front elevational view thereof;  
FIG. 3 is a rear elevational view thereof;  
FIG. 4 is a top plan view thereof;  
FIG. 5 is a bottom plan view thereof;  
FIG. 6 is a left side elevational view thereof; and,  
FIG. 7 is a right side elevational view thereof.

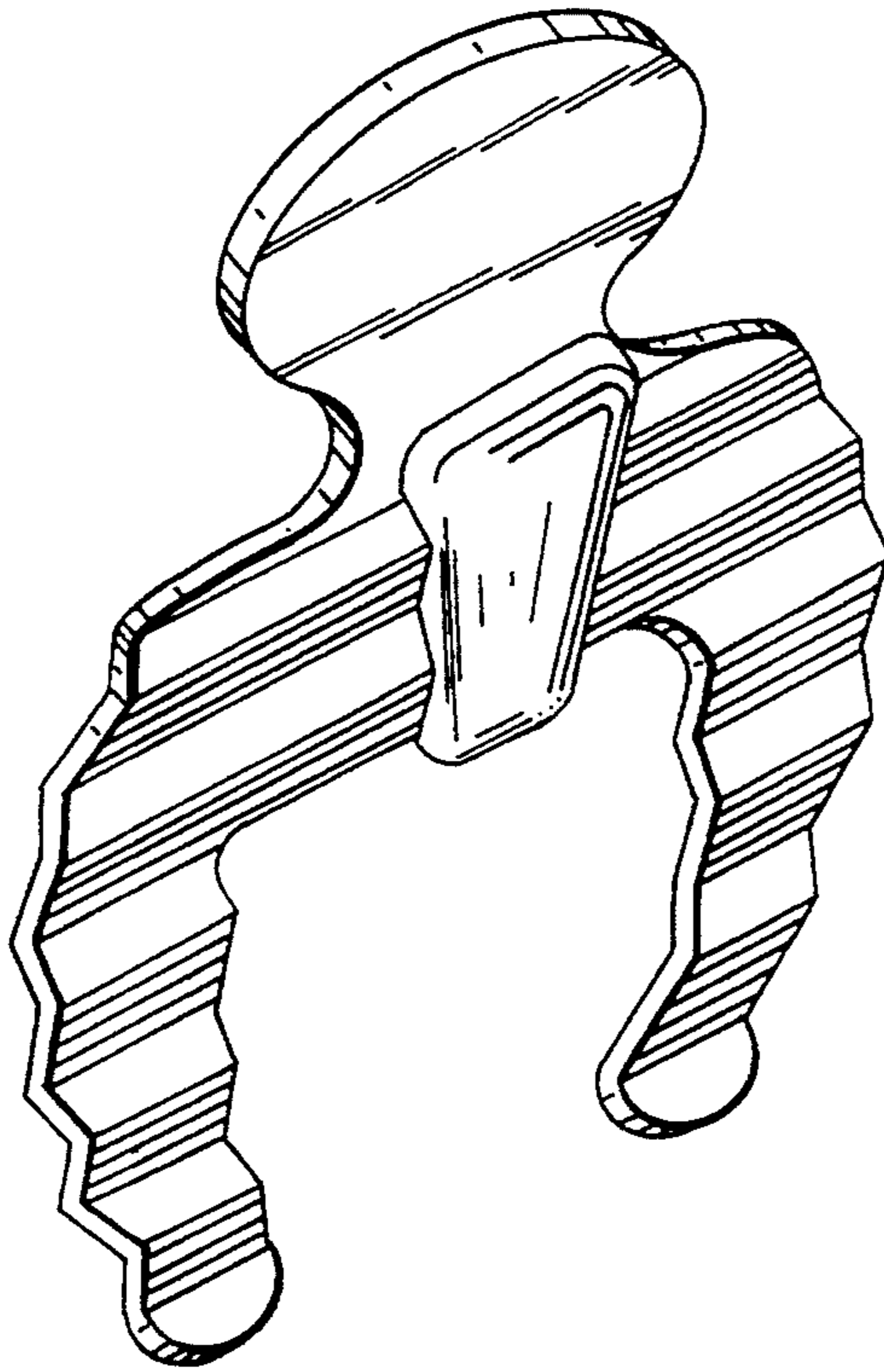
[22] Filed: **Jun. 5, 1992**

[52] U.S. Cl. .... **D9/434; D9/450**

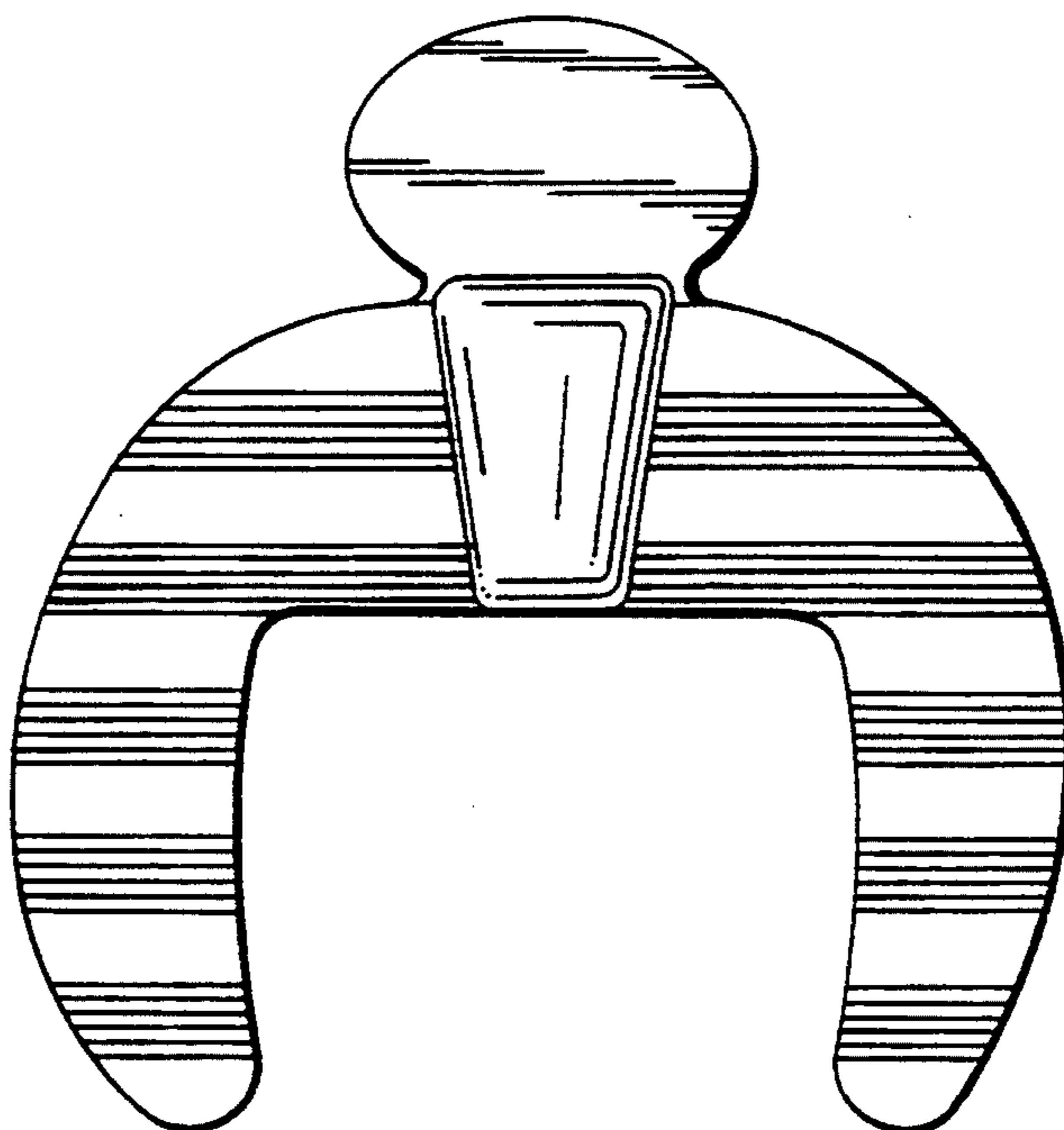
[58] Field of Search ..... **D9/337, 434-440,**  
**D9/443-449, 454, 499, 529; 215/1 R, 1 C, 200,**  
**209, 258; 220/200**

The design is characterized by the U-shaped configuration of the closure which is adapted to envelop and seal the top of a bottle (not shown) and to be twisted-off when the bottle is opened.



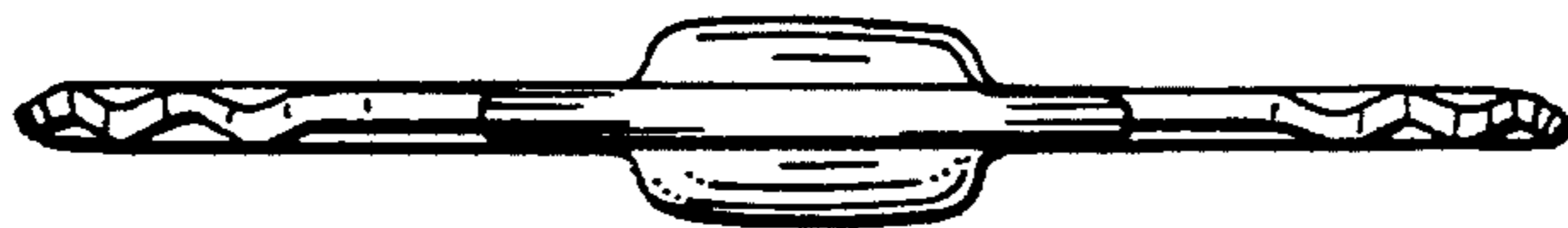
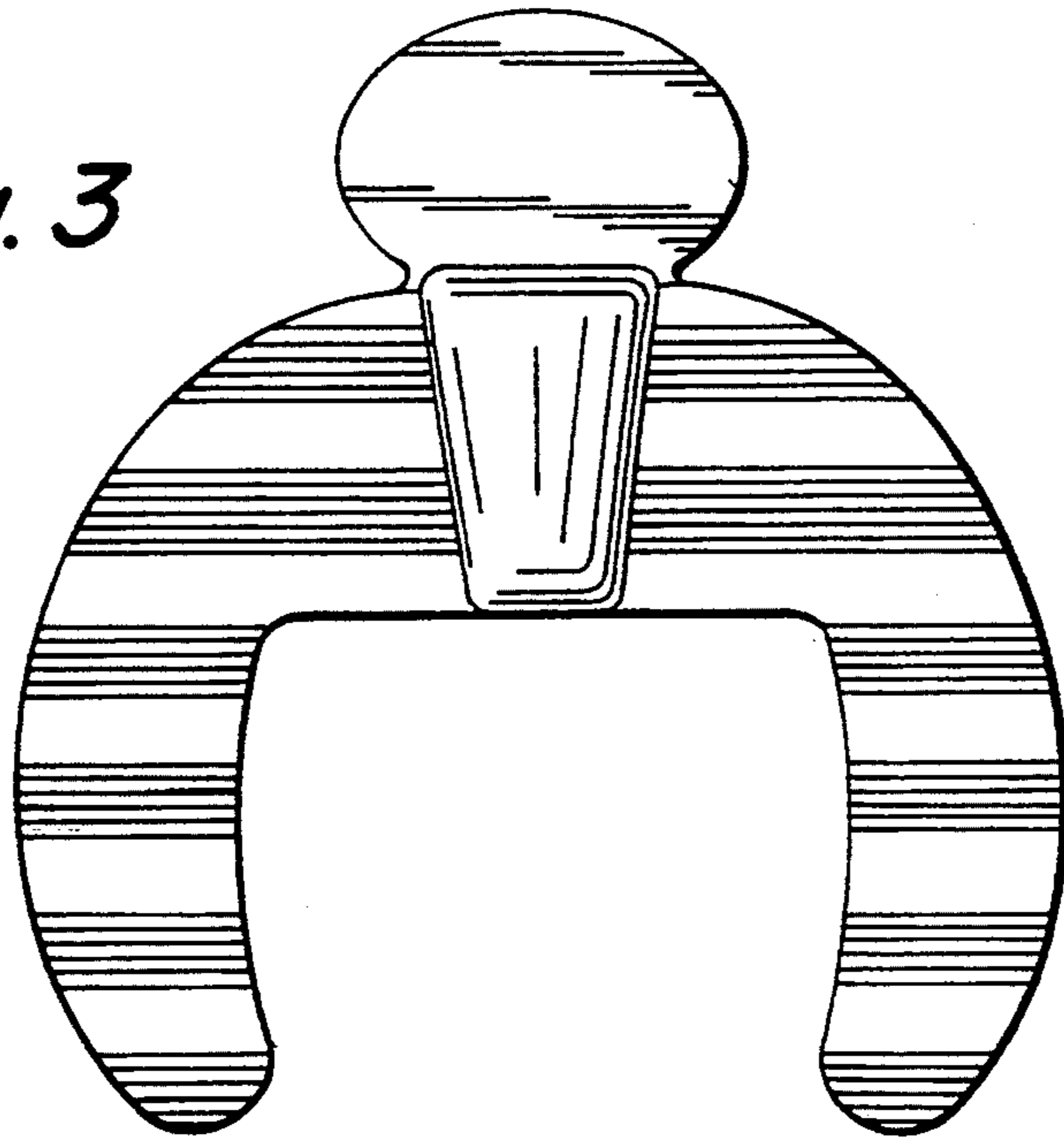


*Fig. 1*



*Fig. 2*

*Fig. 3*



*Fig. 4*



*Fig. 5*



*Fig. 6*



*Fig. 7*