



US00D350689S

**United States Patent** [19]  
**Chao**

[11] **Patent Number: Des. 350,689**  
[45] **Date of Patent: \*\* Sep. 20, 1994**

[54] **COVERED TOTE BAG**

[76] **Inventor: Judy Chao, 9430 Sunfall Ct.,  
Columbia, Md. 21046**

[\*\*] **Term: 14 Years**

[21] **Appl. No.: 14,683**

[22] **Filed: Oct. 28, 1993**

**Related U.S. Application Data**

[62] **Division of Ser. No. 911,221, Jul. 9, 1992, Pat. No. Des.  
343,288.**  
[52] **U.S. Cl. .... D9/305**  
[58] **Field of Search ..... D3/233, 243, 246;  
D9/305; 383/100; 150/100-118**

[56] **References Cited**

**U.S. PATENT DOCUMENTS**

D. 305,728 1/1990 Tufariello ..... D9/305  
D. 312,393 11/1990 Bookoff et al. .... D9/305  
D. 323,977 2/1992 Etro ..... D9/305

*Primary Examiner*—Louis S. Zarfes

[57] **CLAIM**

The ornamental design for a covered tote bag, as shown and described.

**DESCRIPTION**

FIG. 1 is a perspective view of a covered tote bag showing my new design;  
FIG. 2 is a top plan view thereof;  
FIG. 3 is a front elevational view thereof;  
FIG. 4 is a right side elevational view, the left side elevational view being a mirror image;  
FIG. 5 is a rear elevational view thereof; and,  
FIG. 6 is a bottom plan view thereof.

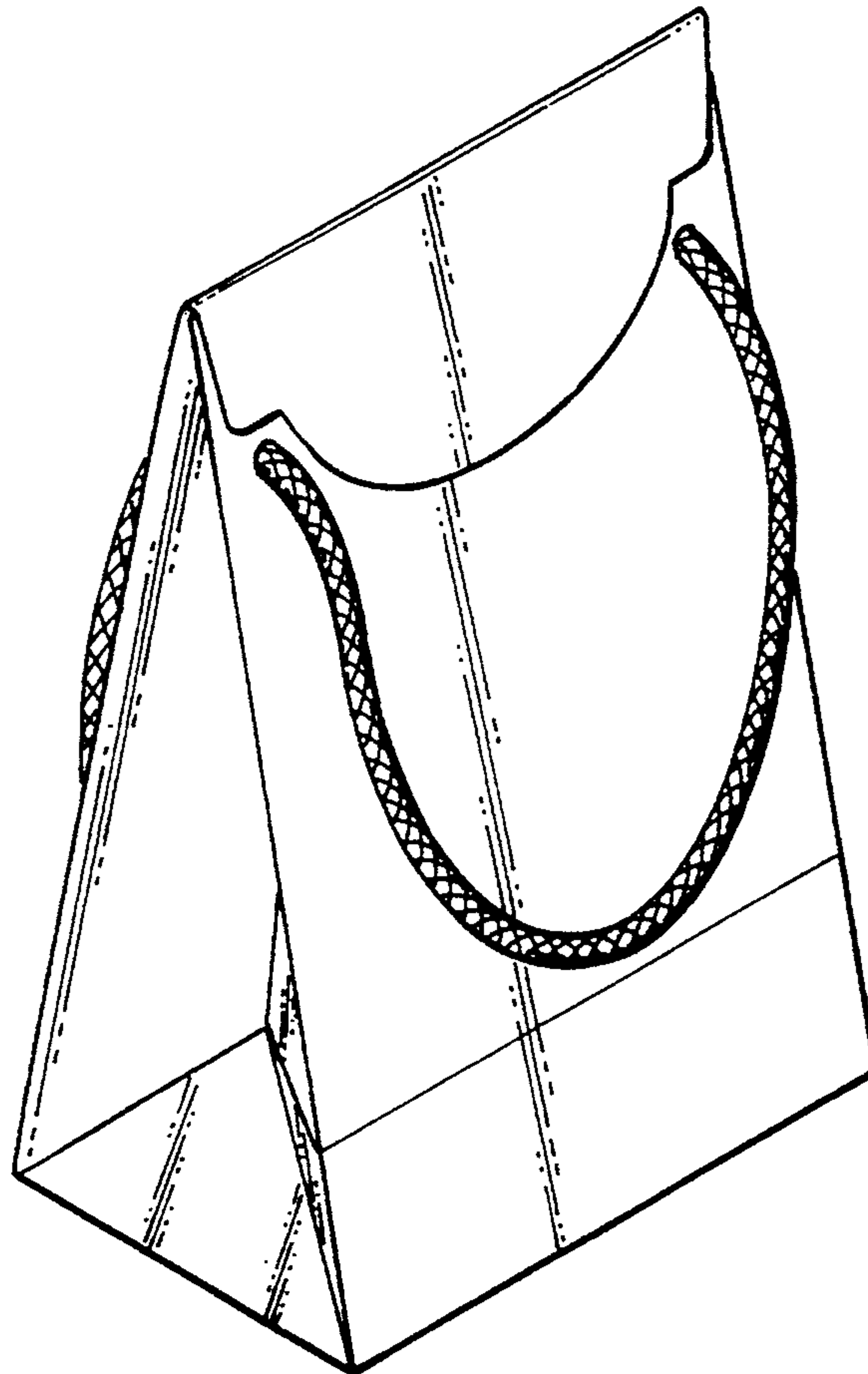


FIG. 1.

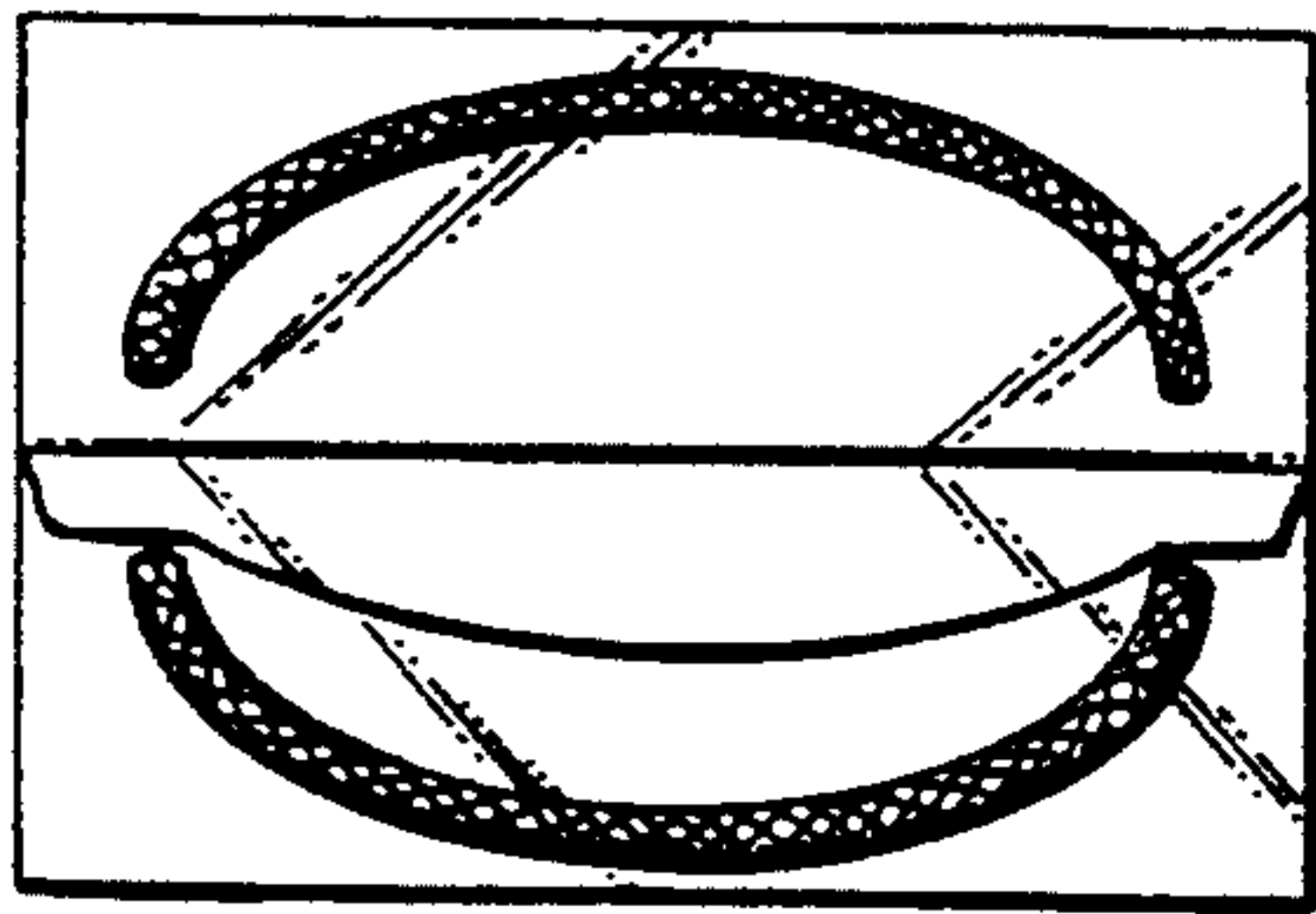
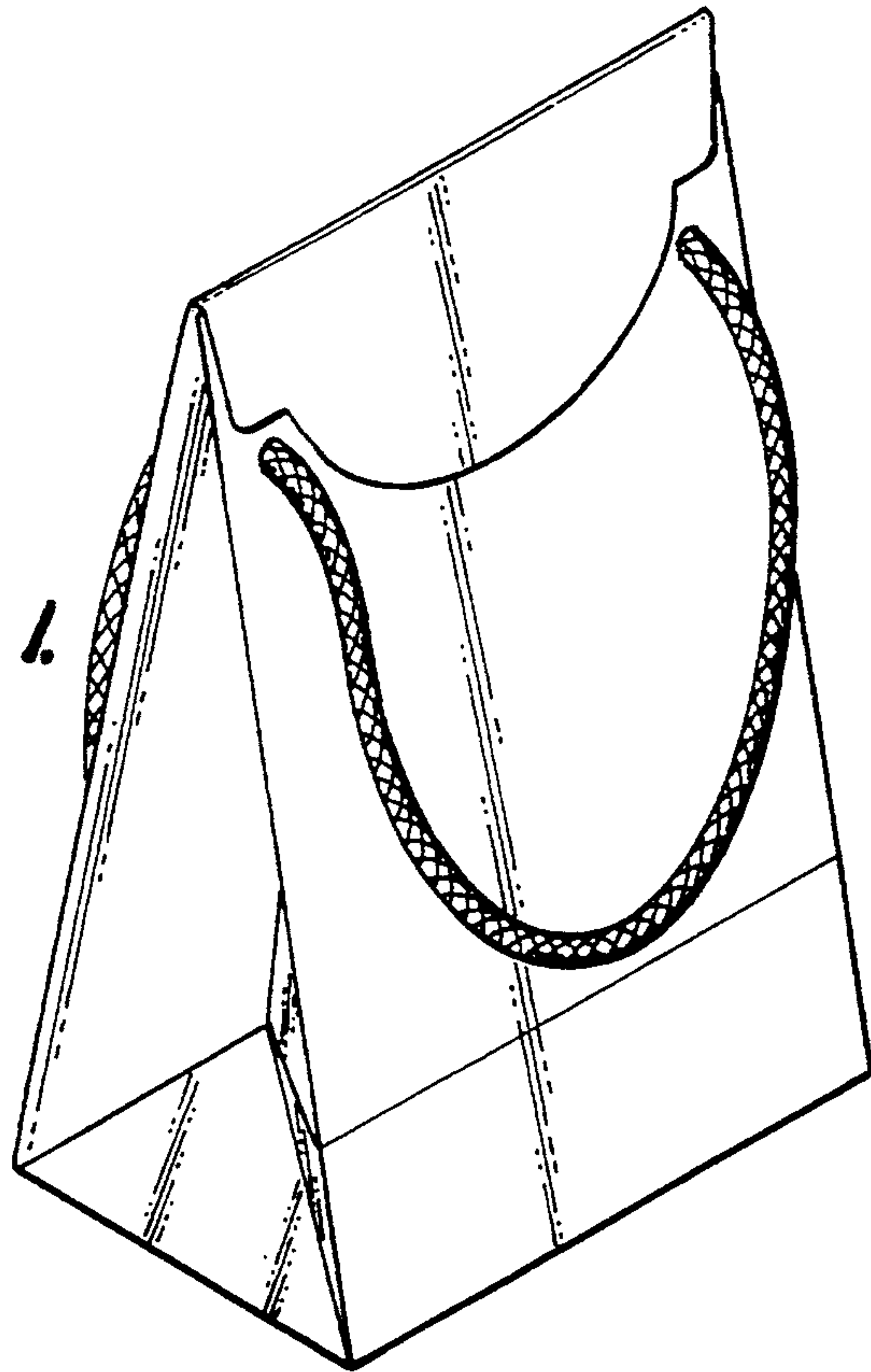


FIG. 2.

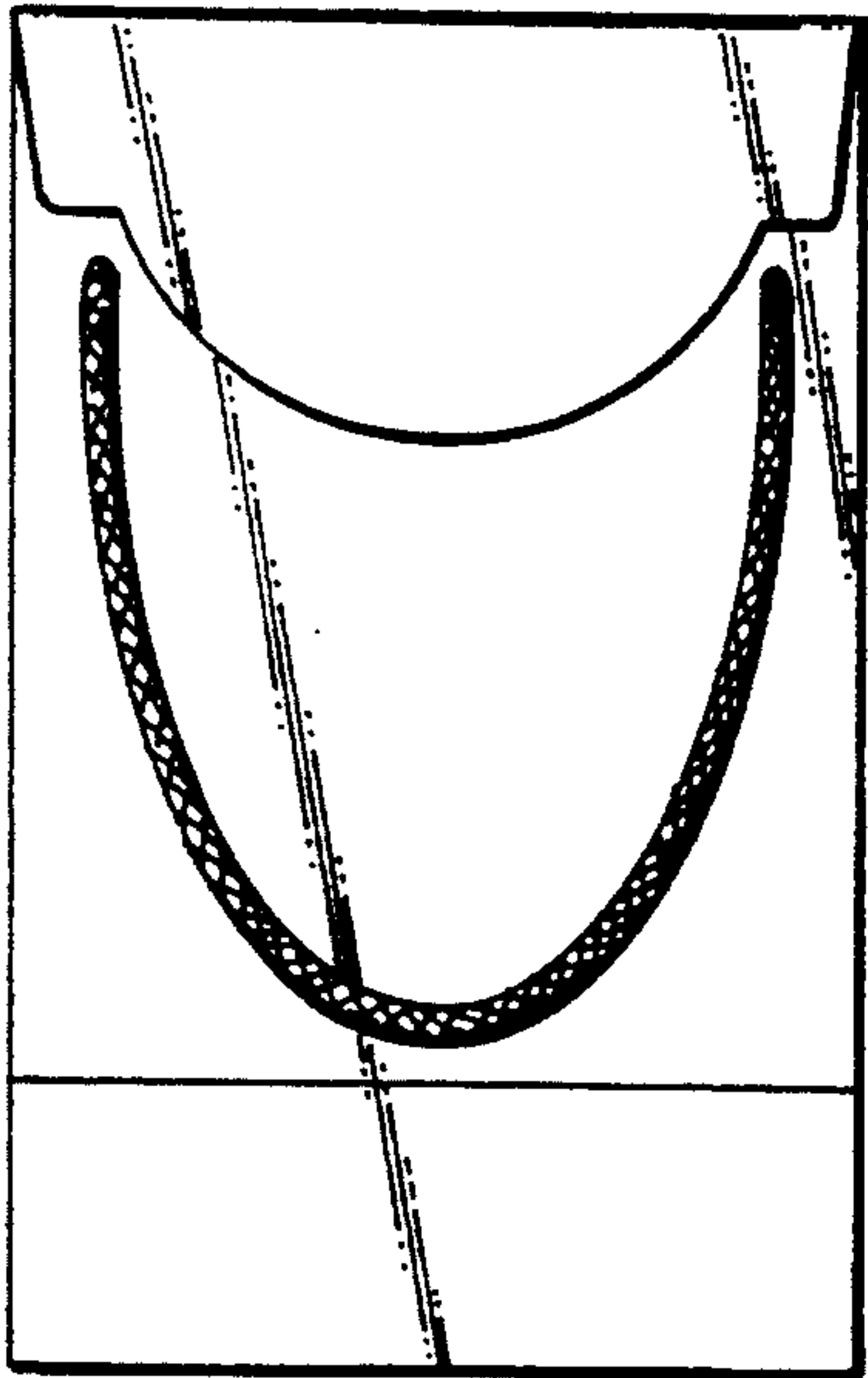


FIG. 3.

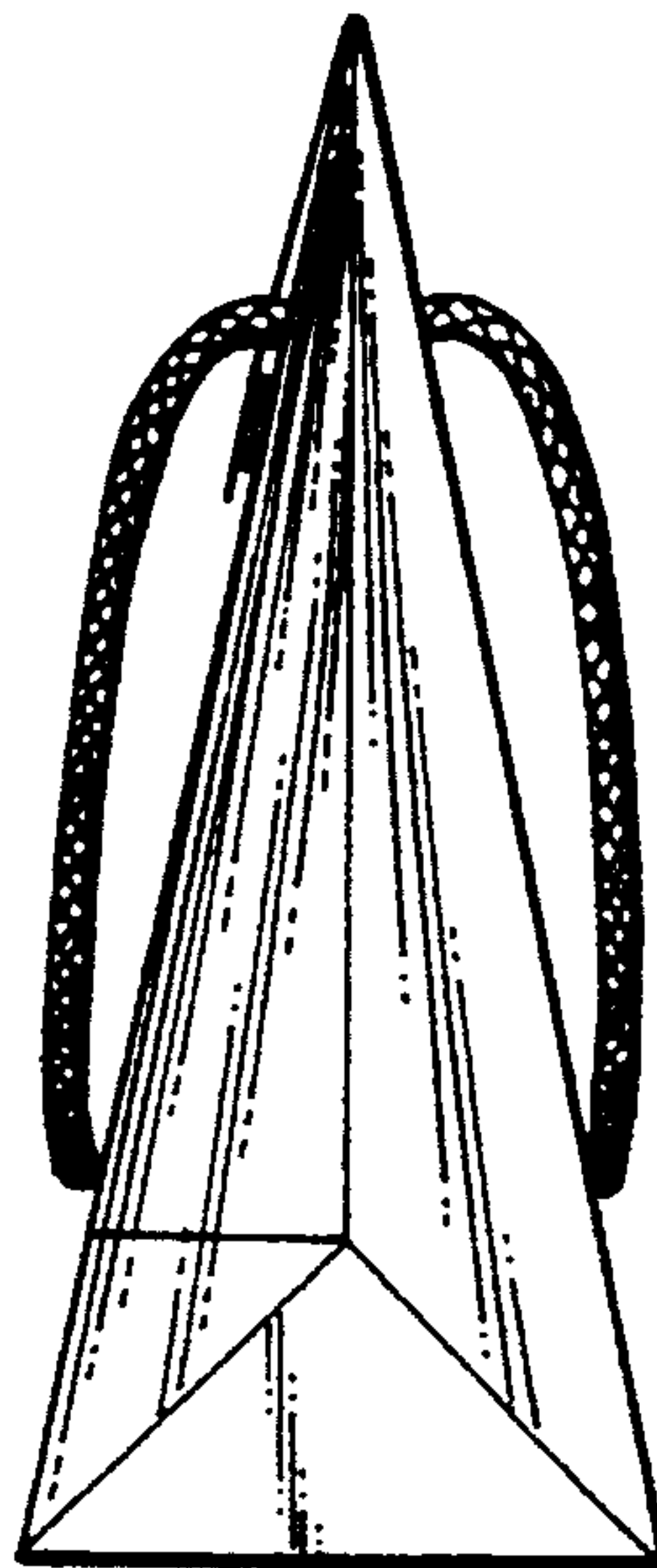


FIG. 4.

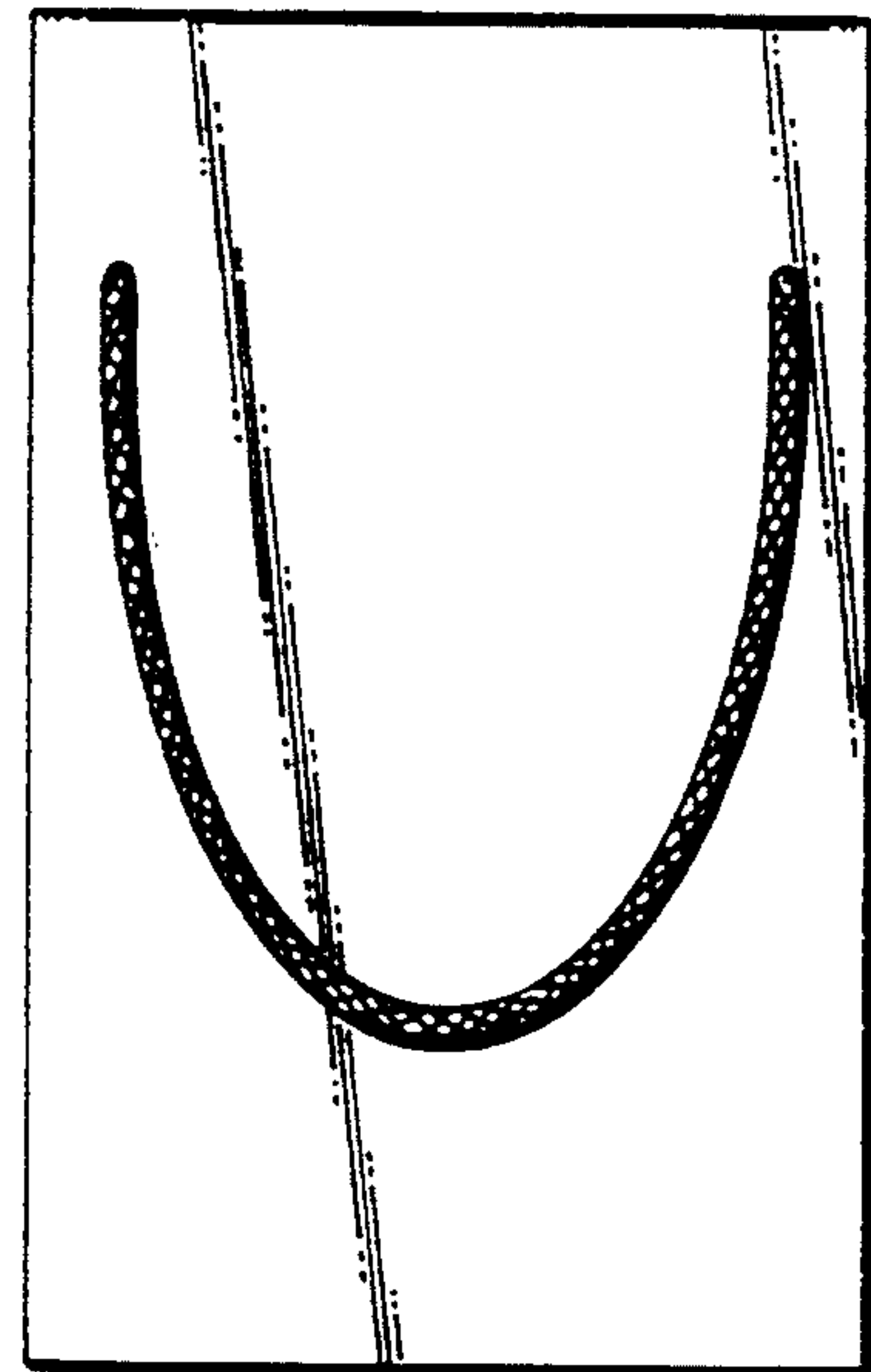


FIG. 5.

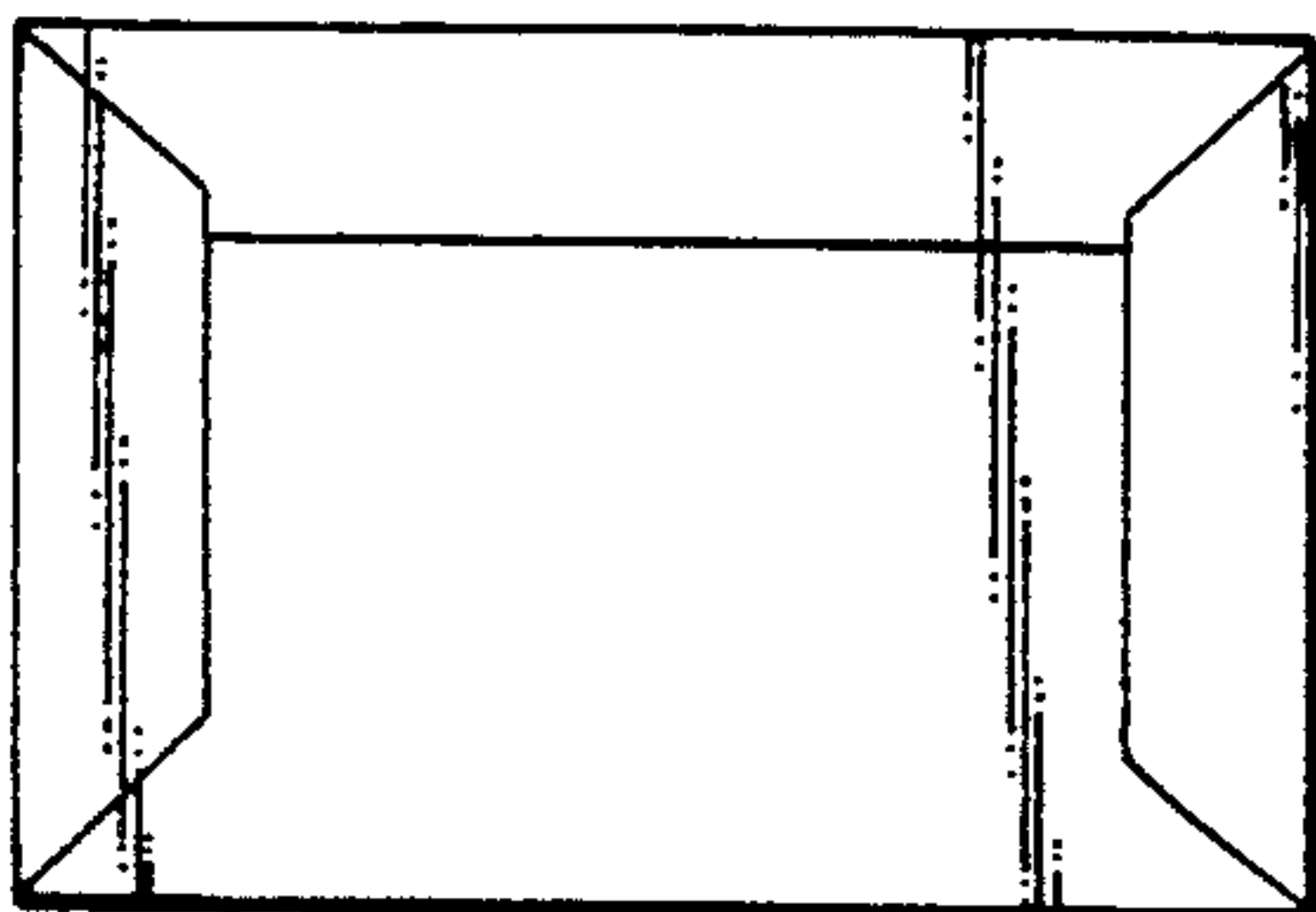


FIG. 6.