



US00D350686S

United States Patent [19]
Myers

[11] **Patent Number: Des. 350,686**
[45] **Date of Patent: ** Sep. 20, 1994**

[54] **LOCK SHELL FOR AN AXIAL PIN
TUMBLER LOCK**

4,049,313 9/1977 Lundberg 70/78
4,325,237 4/1982 Menzie 70/14
4,628,713 12/1986 Cecchi et al. 70/58
4,689,978 9/1987 Drummond D8/343 X

[75] **Inventor: Gary L. Myers, River Grove, Ill.**

[73] **Assignee: Fort Lock Corporation, River Grove, Ill.**

Primary Examiner—Brian N. Vinson
Attorney, Agent, or Firm—Leydig, Voit & Mayer Ltd.

[**] **Term: 14 Years**

[57] **CLAIM**

[21] **Appl. No.: 835,145**

The ornamental design for a lock shell for an axial pin tumbler lock, as shown and described.

[22] **Filed: Feb. 12, 1992**

[52] **U.S. Cl. D8/343**

DESCRIPTION

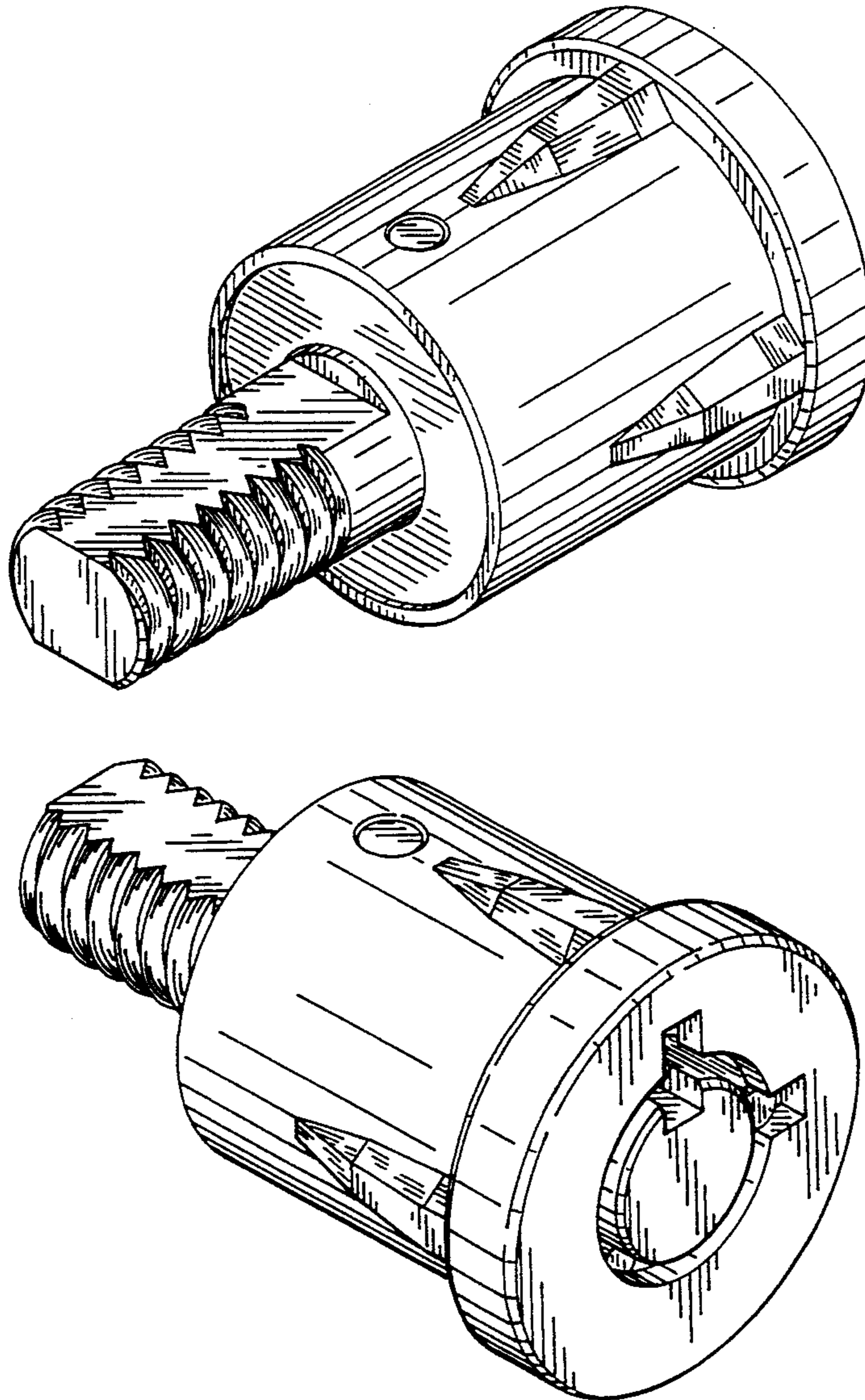
[58] **Field of Search** D8/330-331,
D8/339, 341, 343; 70/77, 78-79, 57-58, 158,
447-448, DIG. 15, 14

FIG. 1 is a rear perspective view of a lock shell for an axial pin tumbler lock showing new design; FIG. 2 is a front perspective thereof; FIG. 3 is a left side elevational view thereof; FIG. 4 is a right side elevational view thereof; FIG. 5 is a front end elevational view thereof; and, FIG. 6 is a rear end elevational view thereof.

[56] **References Cited**

U.S. PATENT DOCUMENTS

3,600,912 8/1971 Foreman D8/331 X



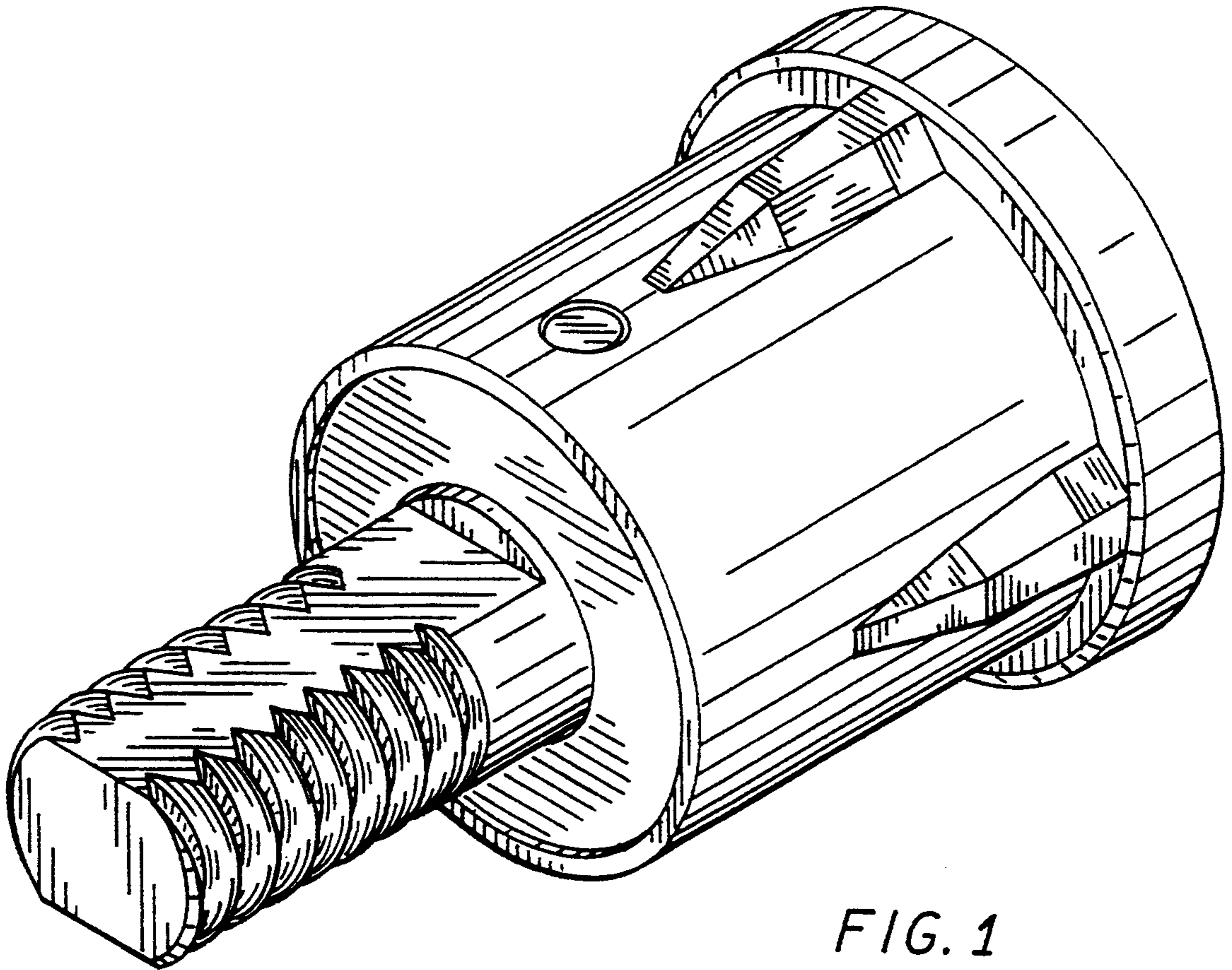


FIG. 1

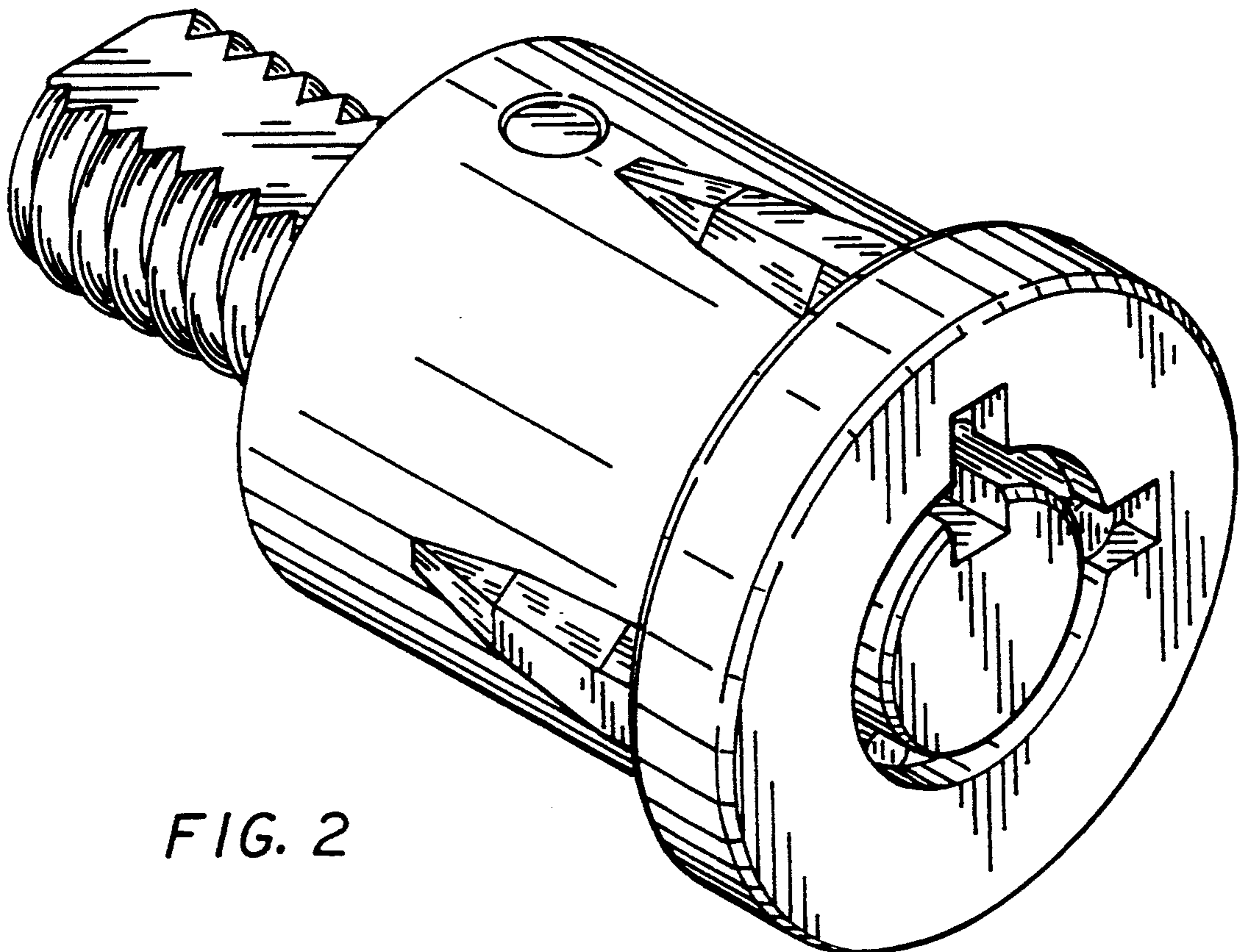


FIG. 2

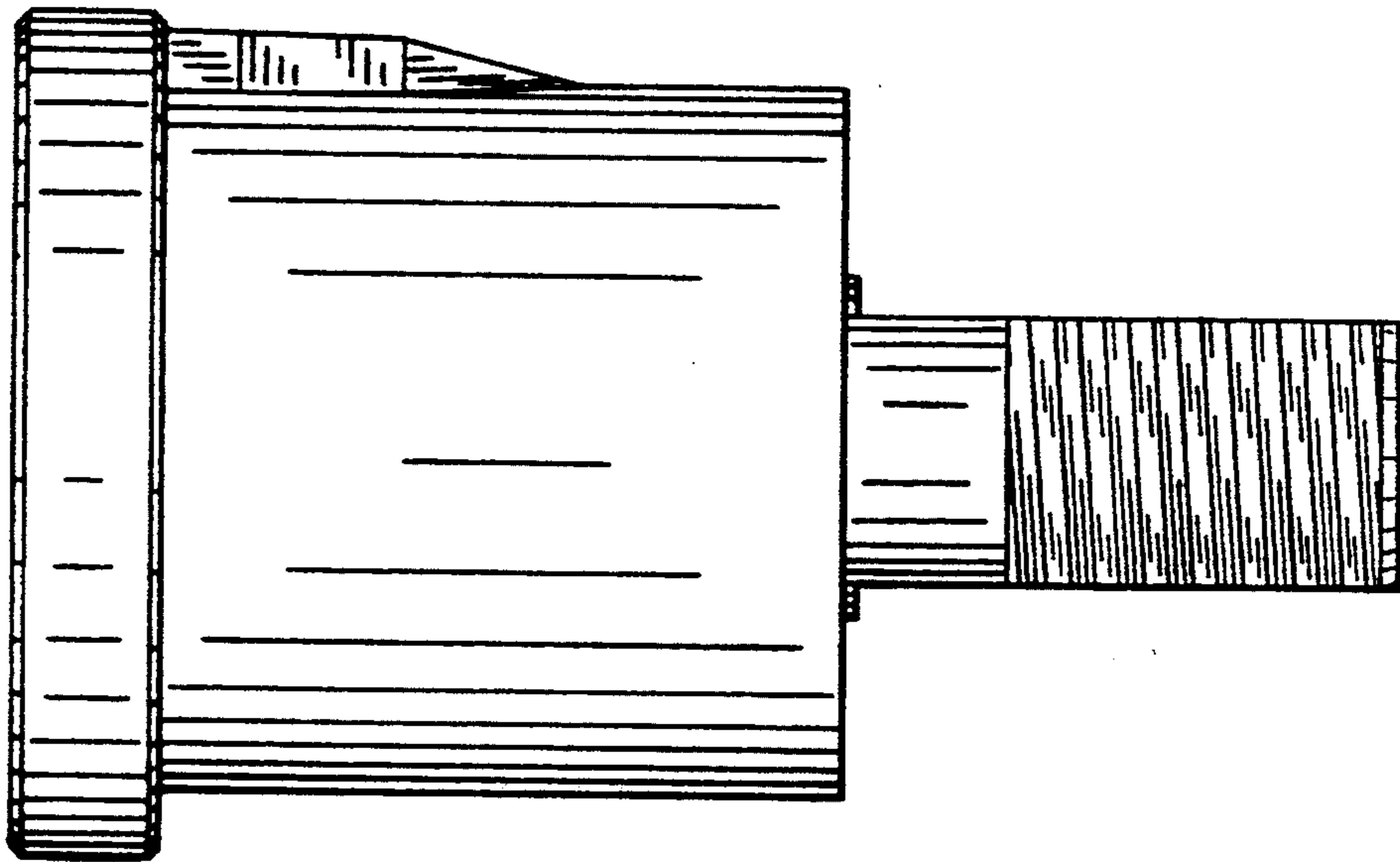


FIG. 3

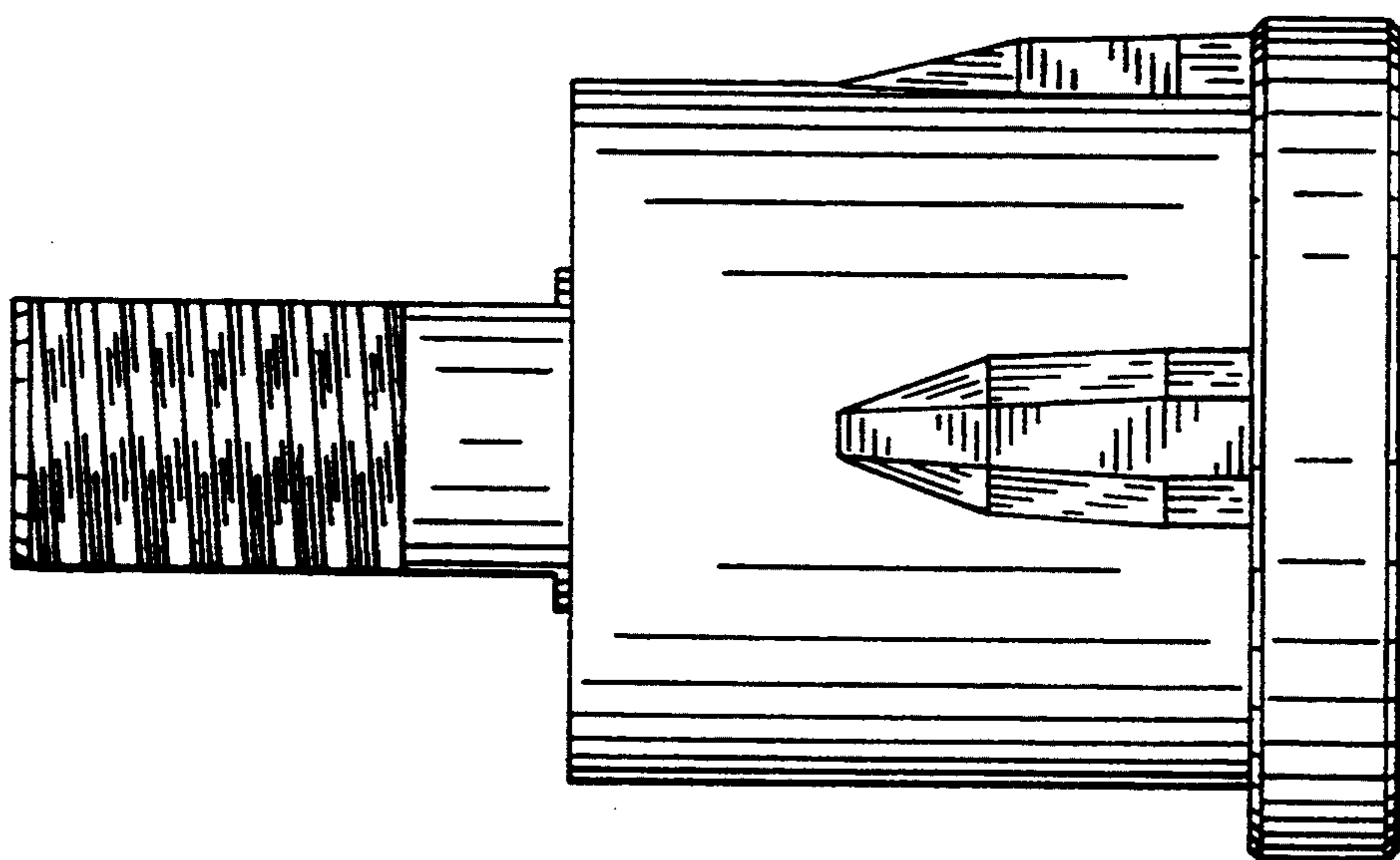


FIG. 4

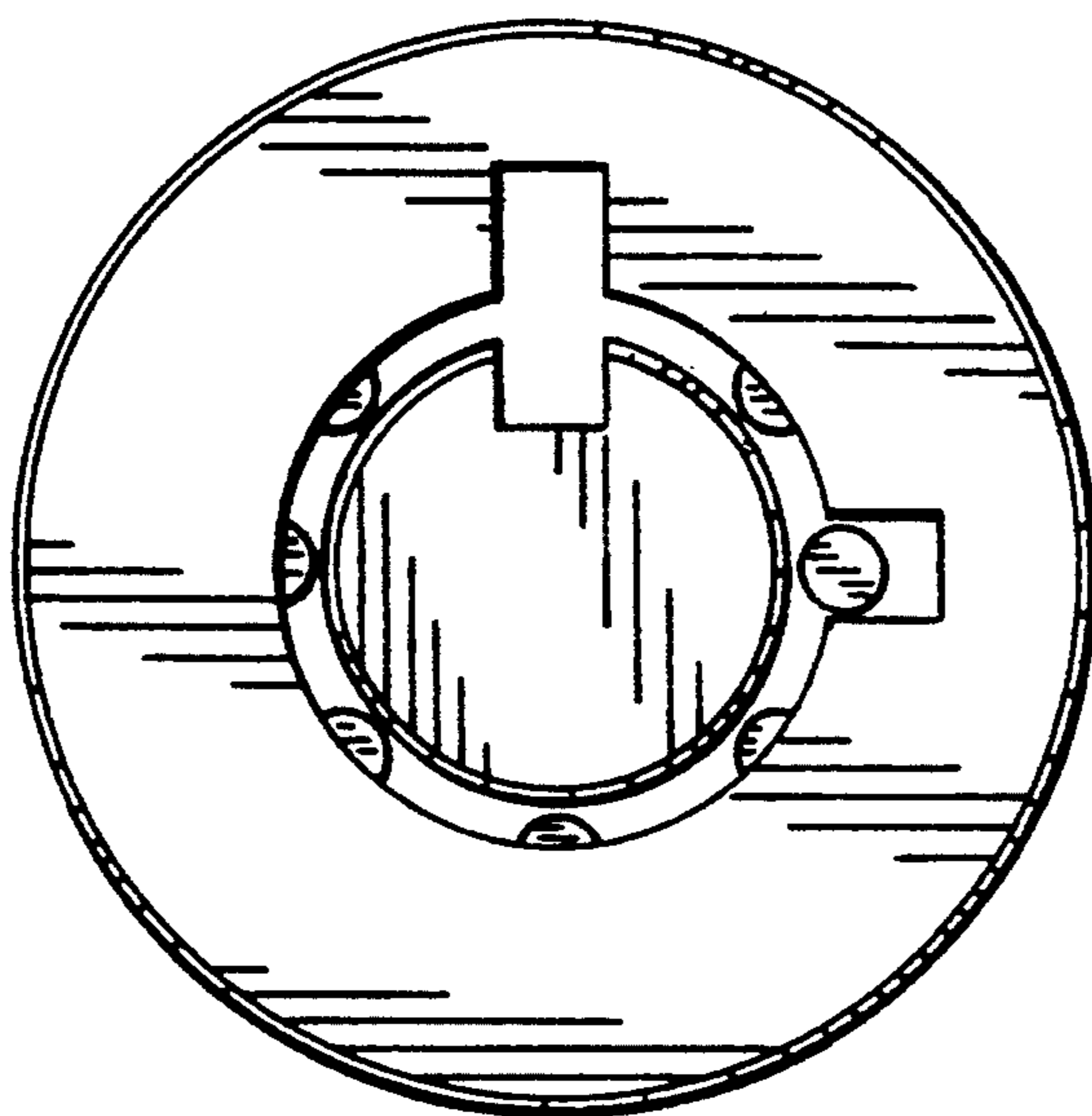


FIG. 5

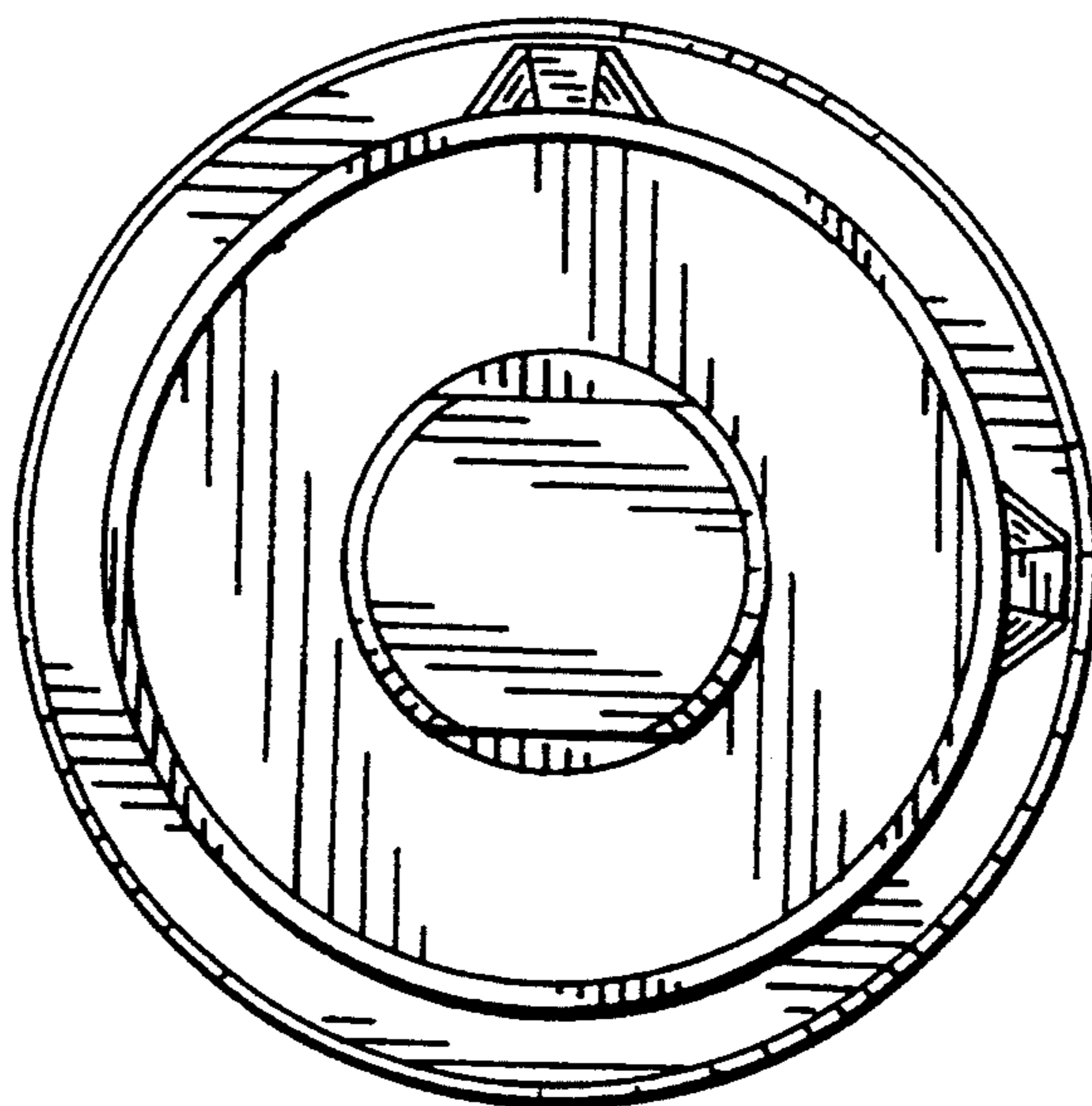


FIG. 6