



US00D350684S

United States Patent [19] Campfield

[11] Patent Number: **Des. 350,684**
[45] Date of Patent: **** Sep. 20, 1994**

[54] **HOLDING STRUCTURE**
[76] Inventor: **Richard A. Campfield**, 3696 Beatty Dr., Riverside, Calif. 92506
[**] Term: **14 Years**
[21] Appl. No.: **10,772**
[22] Filed: **Jul. 16, 1993**
[52] U.S. Cl. **D8/72**
[58] Field of Search D8/71, 72, 73, 74; 248/362, 363; 269/1, 21, 91, 95, 909

4,291,866 9/1981 Petersen 248/362
4,457,503 7/1984 Connor 269/21
4,497,476 2/1985 Wiele 269/21

Primary Examiner—Alan P. Douglas
Assistant Examiner—Jeffry H. Musgrove
Attorney, Agent, or Firm—Lawrence S. Cohen

[57] CLAIM

The ornamental design for a holding structure, as shown.

DESCRIPTION

FIG. 1 is a top plan view of the holding structure, showing my new design;
FIG. 2 is a front elevational view thereof the back elevational view being the mirror image thereof;
FIG. 3 is a bottom plan view;
FIG. 4 is a right side view; and,
FIG. 5 is a left side view.

[56] **References Cited**
U.S. PATENT DOCUMENTS
D. 298,209 10/1988 Hoke D8/72
D. 305,094 12/1989 McDonald D8/72
3,207,503 9/1965 Clover, Jr. et al. 269/21
3,770,259 11/1973 Wagreich 269/21

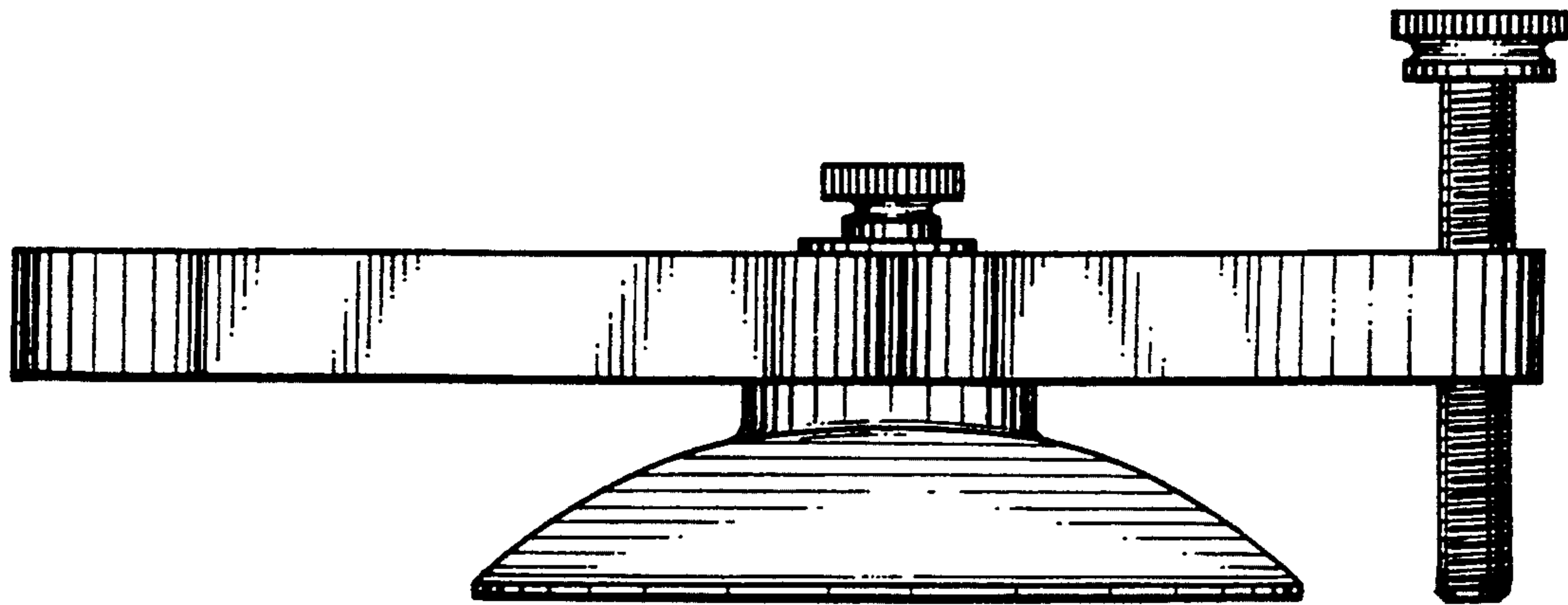


FIG. 1

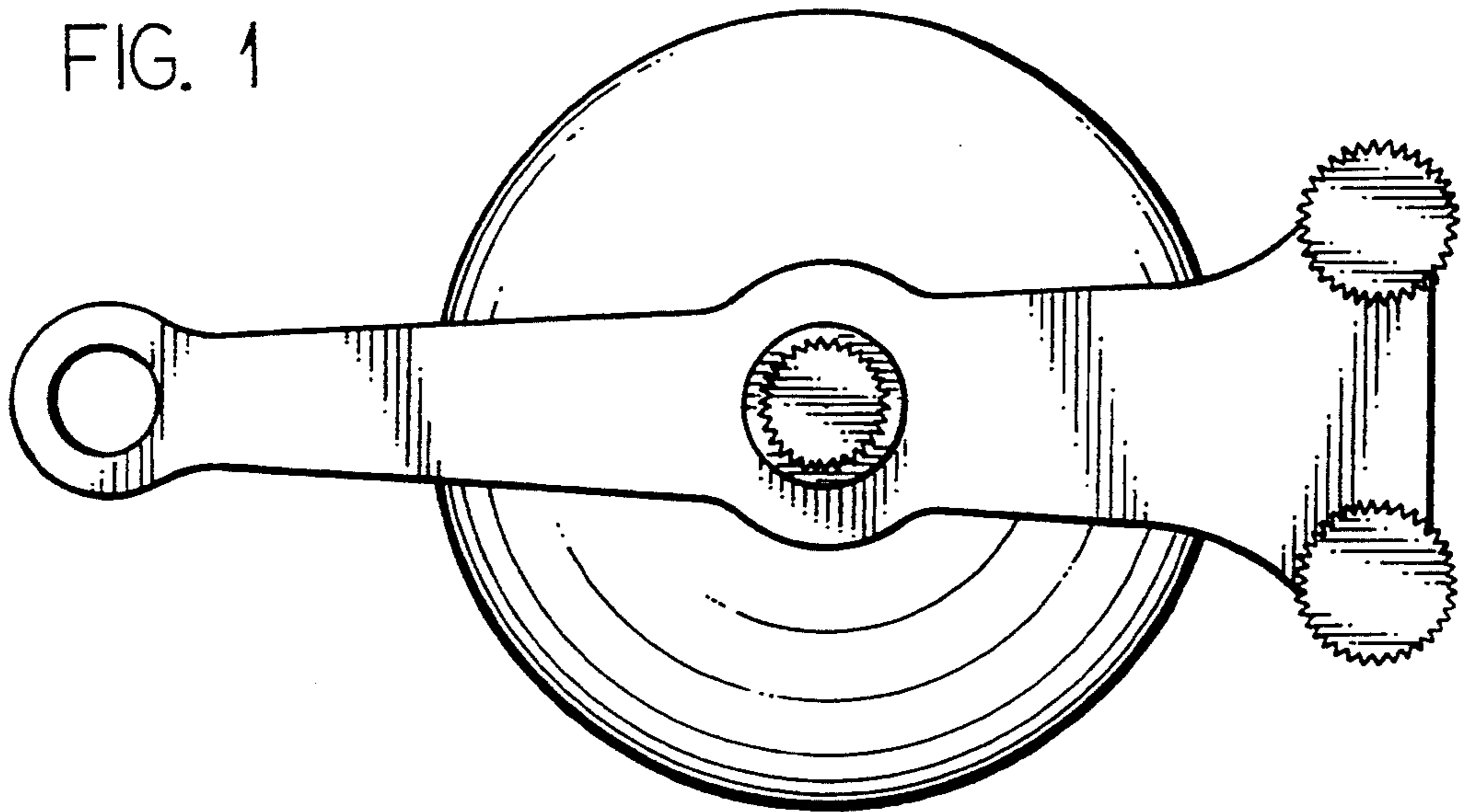


FIG. 2

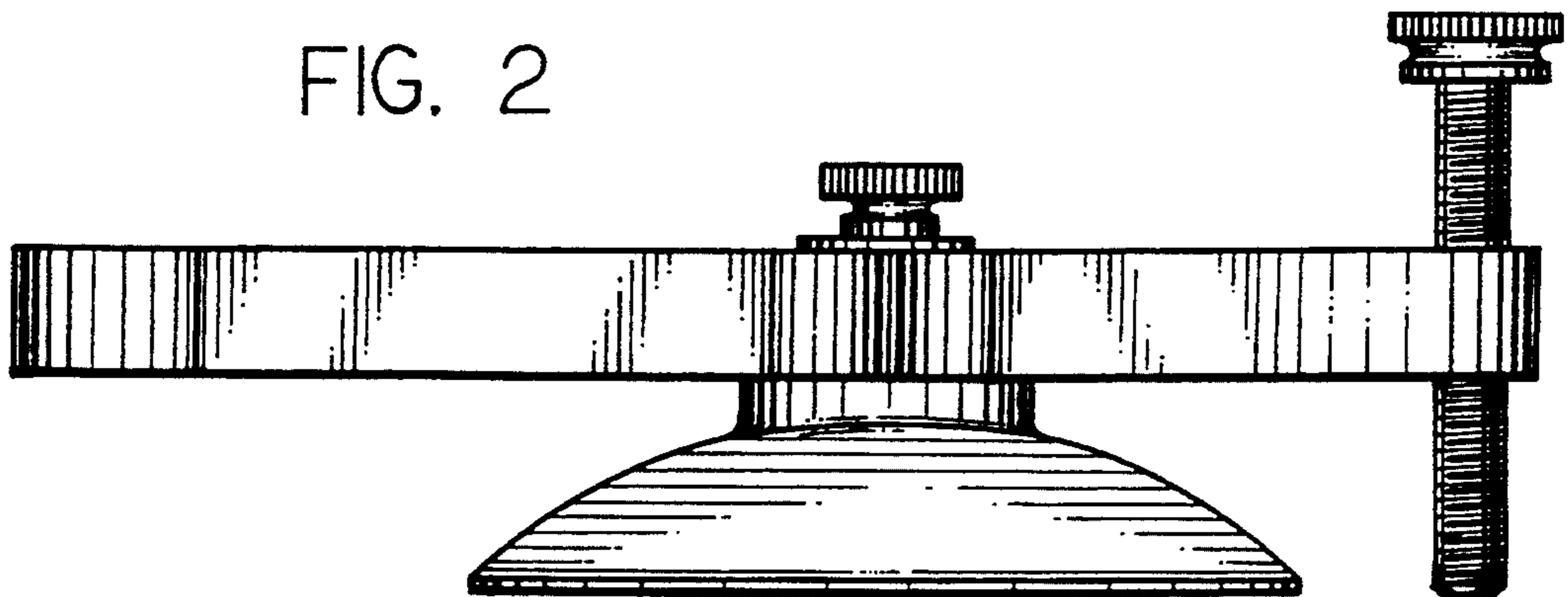


FIG. 3

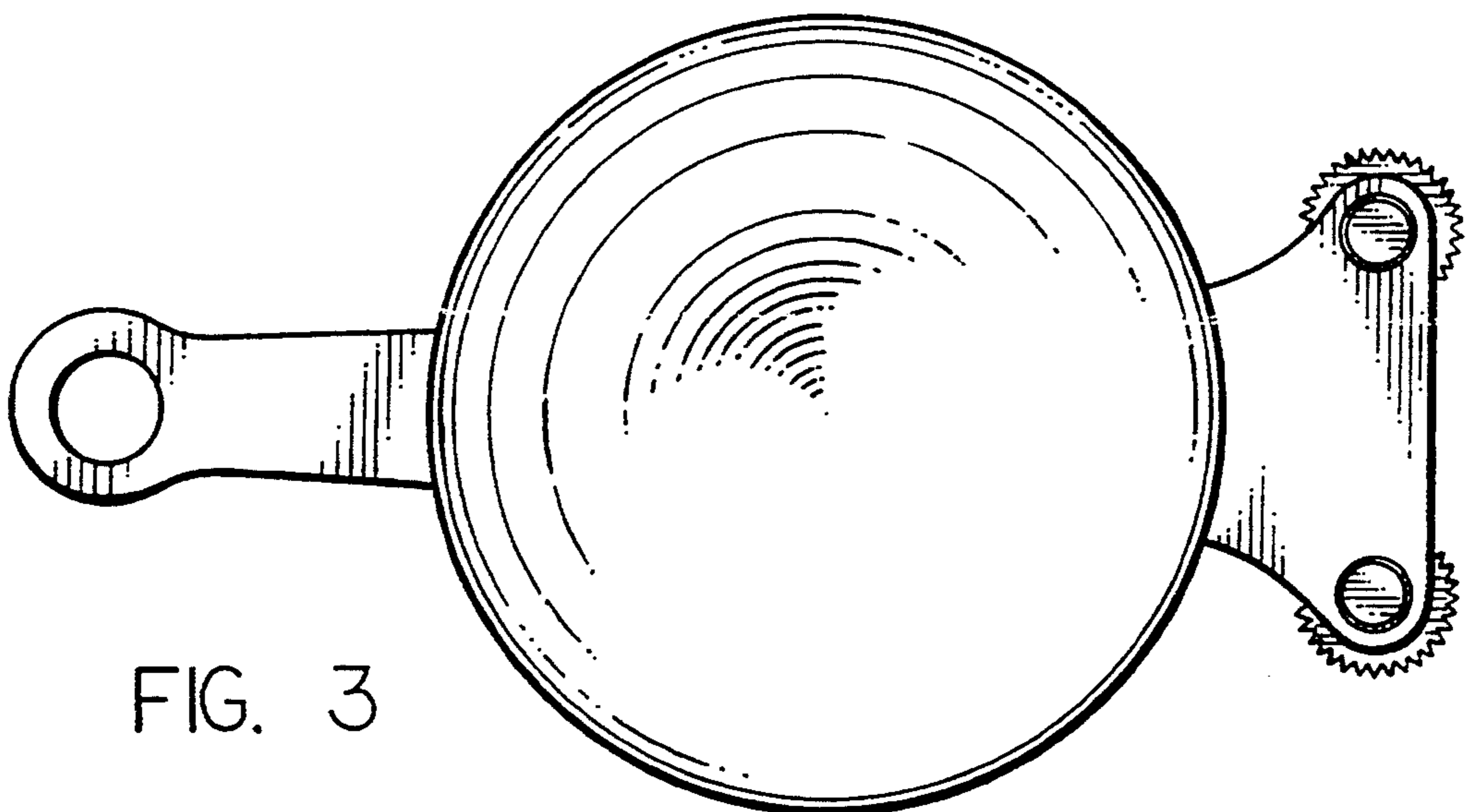


FIG. 4

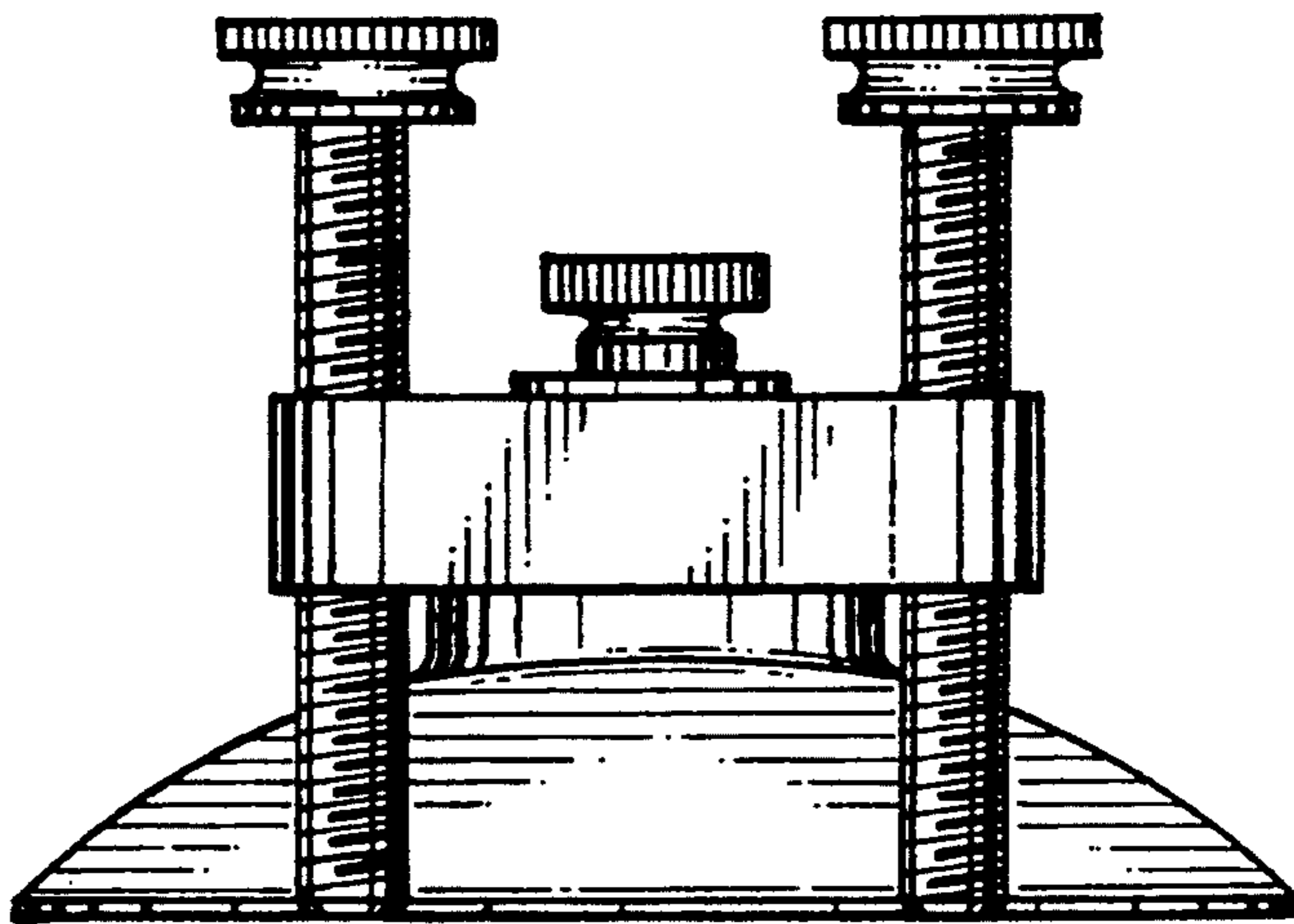


FIG. 5

