



US00D350683S

United States Patent [19]

[11] Patent Number: **Des. 350,683**

Tessman

[45] Date of Patent: **** Sep. 20, 1994**

[54] CLAMP

[75] Inventor: **Alan O. Tessman**, Sherwood, Oreg.

[73] Assignee: **Pull-It Corporation**, Beaverton, Oreg.

[**] Term: **14 Years**

[21] Appl. No.: **8,891**

[22] Filed: **May 28, 1993**

[52] U.S. Cl. **D8/72**

[58] Field of Search **D8/71, 72, 73; 72/311, 72/325, 457, 479, 705; 294/116; 269/90, 95, 114, 251, 160, 243; D15/140**

[56] **References Cited**

U.S. PATENT DOCUMENTS

D. 214,273	5/1969	Bricker	D8/72
D. 300,748	4/1989	Jarman et al.	D8/72
D. 328,845	8/1992	Yoder	D8/72
4,037,456	7/1977	Jarman	294/116
4,457,159	7/1984	Jarman et al.	294/116

OTHER PUBLICATIONS

"The Original Mo-Clamp," Catalog dated Feb., 1993, 34 pages.

Primary Examiner—Alan P. Douglas
Assistant Examiner—J. H. Musgrove
Attorney, Agent, or Firm—Klarquist Sparkman
Campbell Leigh & Whinston

[57] **CLAIM**

The ornamental design of a clamp, as shown and described.

DESCRIPTION

FIG. 1 is a perspective view of a clamp showing my new design;
FIG. 2 is a top plan view of the invention;
FIG. 3 is a side view of the invention (the left and right side views are mirror images);
FIG. 4 is a bottom view of the invention;
FIG. 5 is a front view of the invention; and,
FIG. 6 is a rear view of the invention.

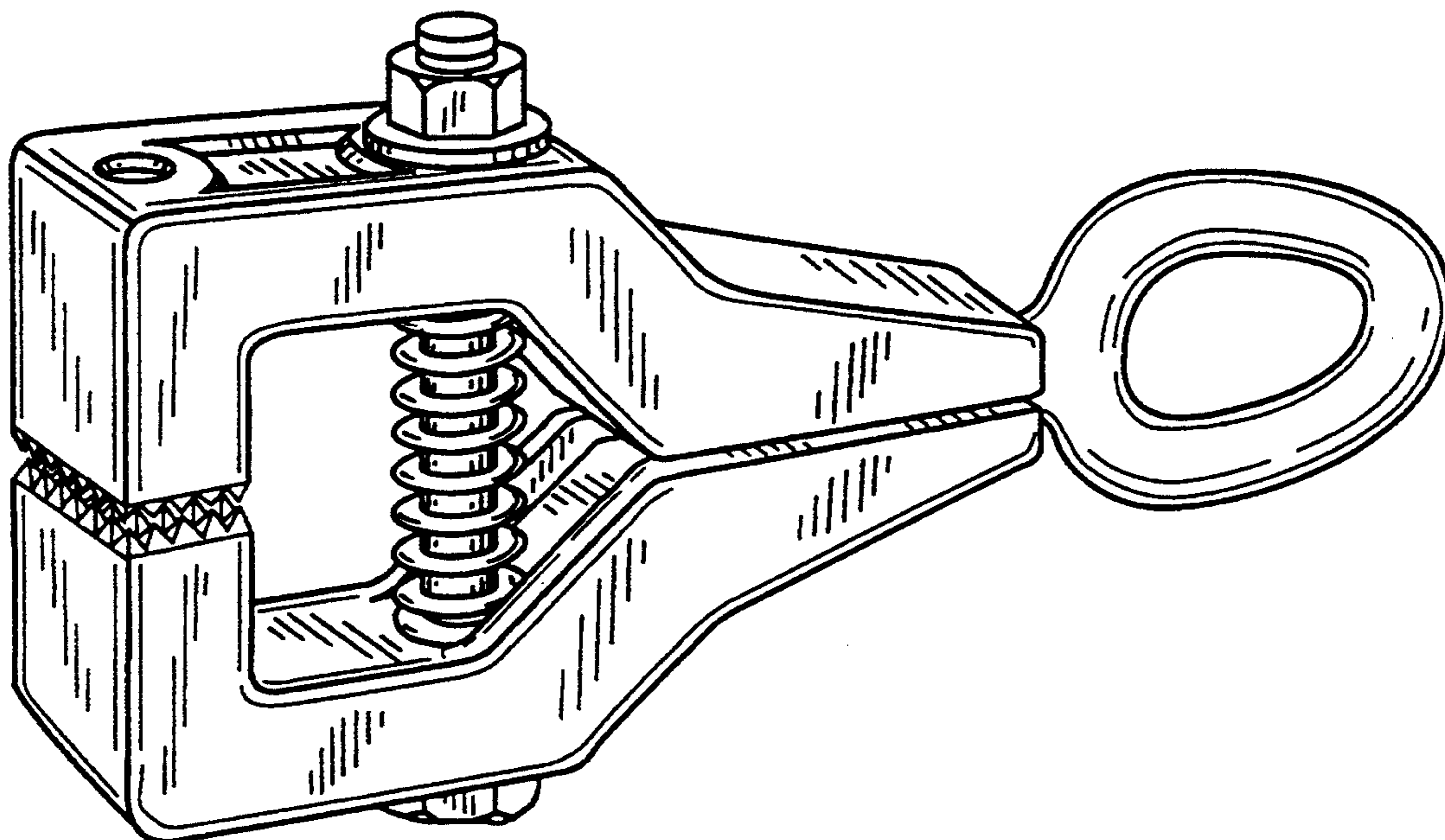


FIG. 1

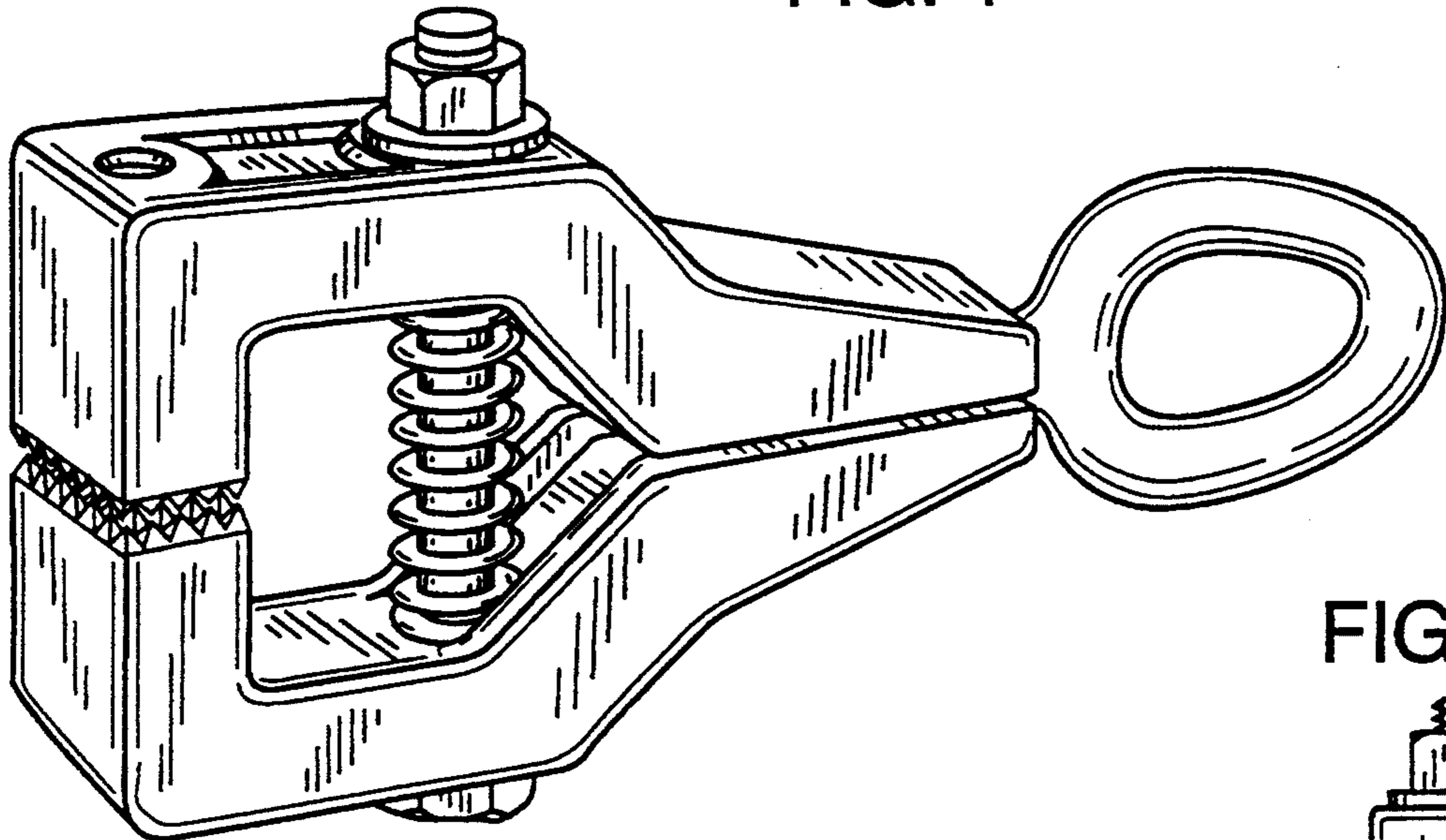


FIG. 2



FIG. 5

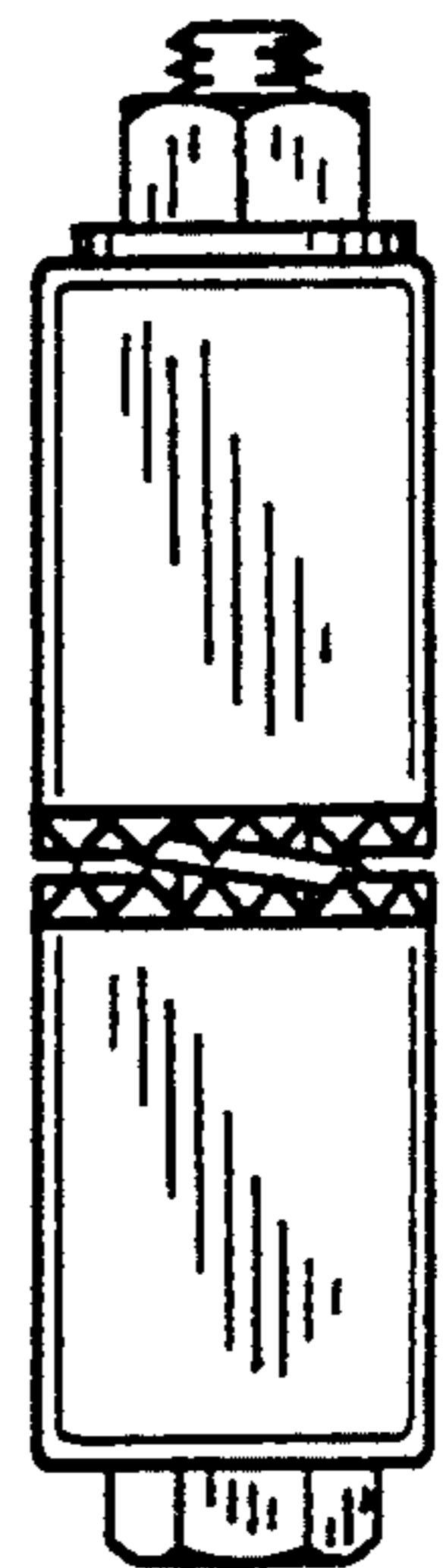


FIG. 3

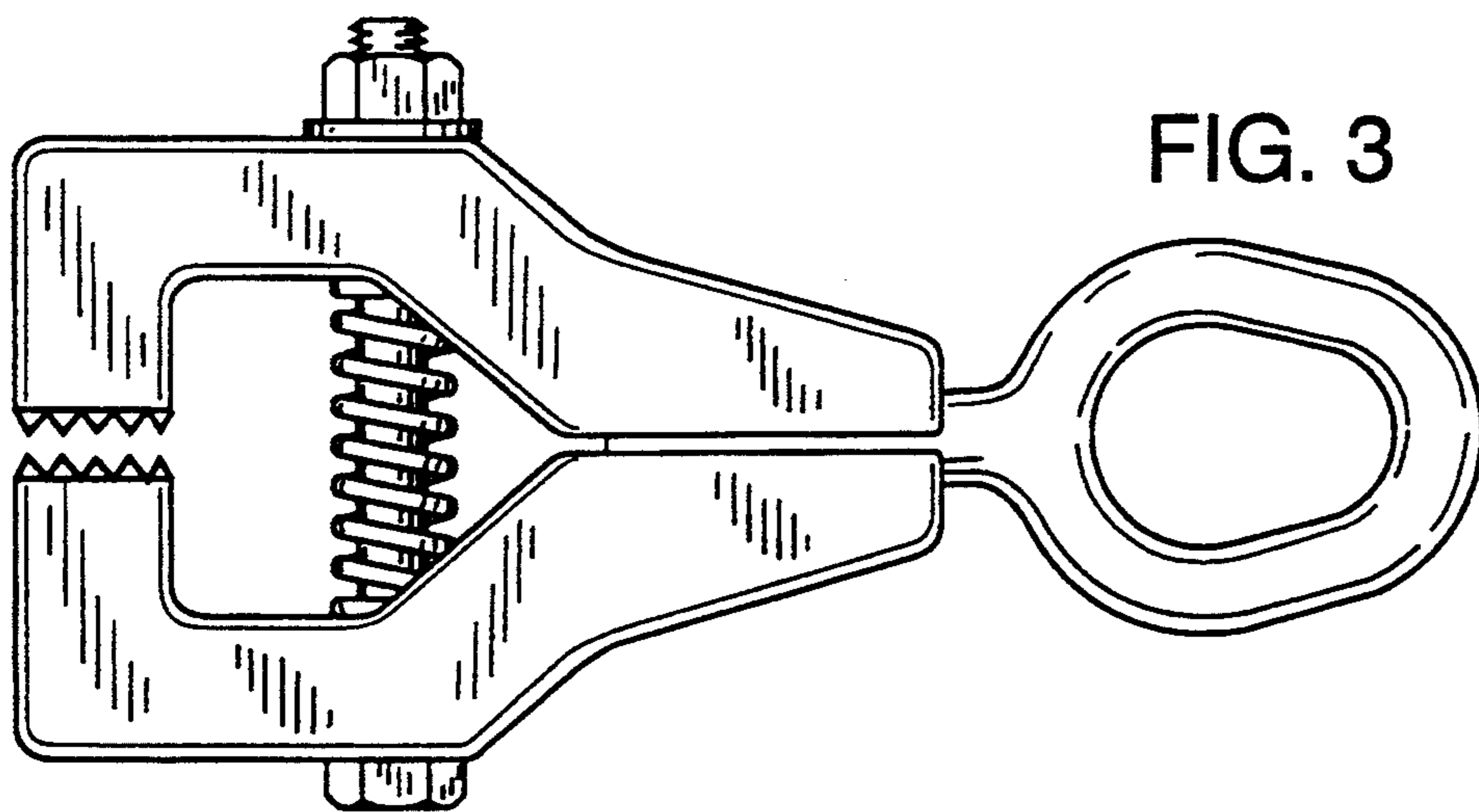


FIG. 6

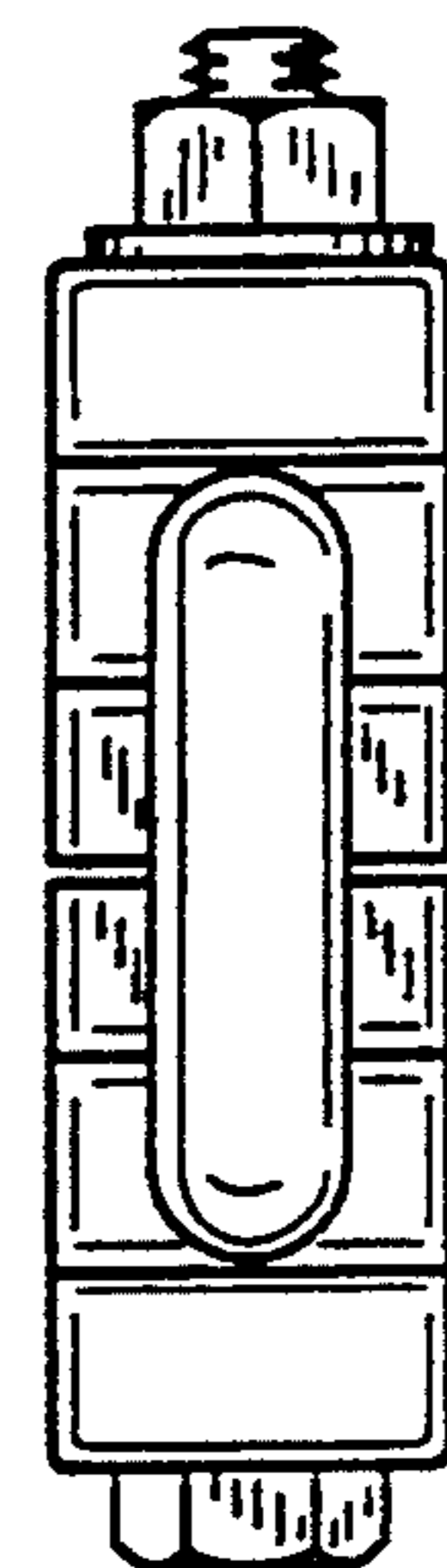


FIG. 4

