



US00D350681S

United States Patent [19]

Juhlin et al.

[11] Patent Number: **Des. 350,681**

[45] Date of Patent: **** Sep. 20, 1994**

[54] **STAPLE GUN**

[75] Inventors: **Sven-Erik Juhlin, Gustavsberg; Hans Himbert, Bromma, both of Sweden**

[73] Assignee: **Isaberg AB, Hestra, Sweden**

[**] Term: **14 Years**

[21] Appl. No.: **10,647**

[22] Filed: **Jul. 14, 1993**

[30] **Foreign Application Priority Data**

Feb. 5, 1993 [SE] Sweden 930300

[52] U.S. Cl. **D8/69**

[58] Field of Search D8/61, 69, 49;
81/57.11, 57.13; 173/90-93.7, 170, 48; 408/124,
125

[56] **References Cited**

U.S. PATENT DOCUMENTS

D. 310,771 9/1990 Ewig D8/69

- D. 311,123 10/1990 Mercadante et al. D8/69
- D. 313,156 12/1990 Staubitz D8/69
- D. 316,022 4/1991 Moraht D8/69
- D. 330,836 11/1992 Fushiya et al. D8/69
- D. 338,818 8/1993 Katsuba D8/69
- D. 340,630 10/1993 Hara D8/69
- D. 341,533 11/1993 Karafuji et al. D8/69

Primary Examiner—Alan P. Douglas

Assistant Examiner—J. H. Musgrove

Attorney, Agent, or Firm—Shapiro and Shapiro

[57] CLAIM

The ornamental design for a staple gun, as shown.

DESCRIPTION

FIG. 1 is a perspective view showing the top side, the front side and the left-hand side of a staple gun according to the invention;

FIG. 2 is a perspective view showing the top side, the rear side and the right-hand side of the staple gun; and,

FIG. 3 is a perspective view showing the underside, the rear side and the right-hand side of the staple gun.

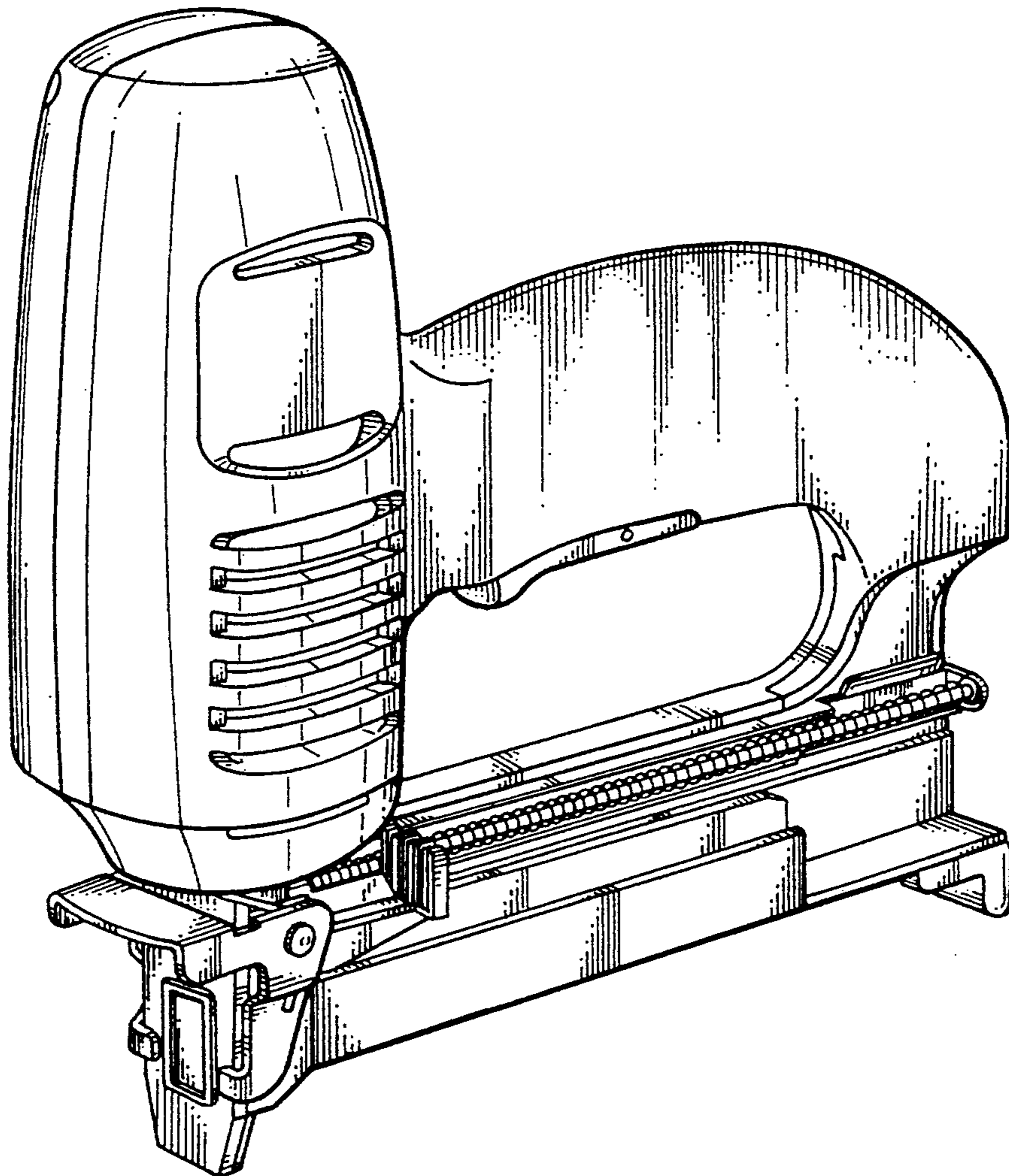


FIG. 1

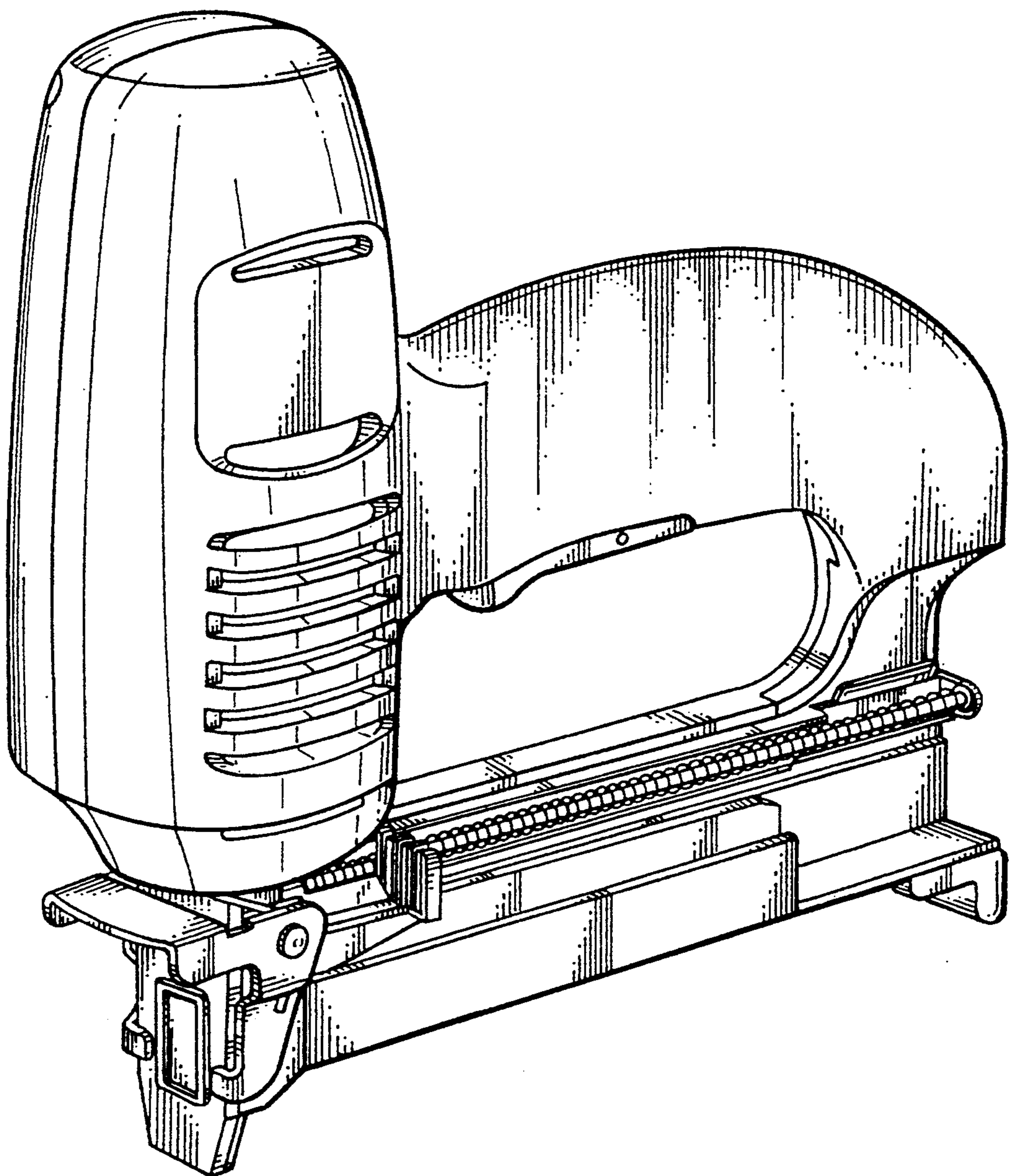


FIG. 2

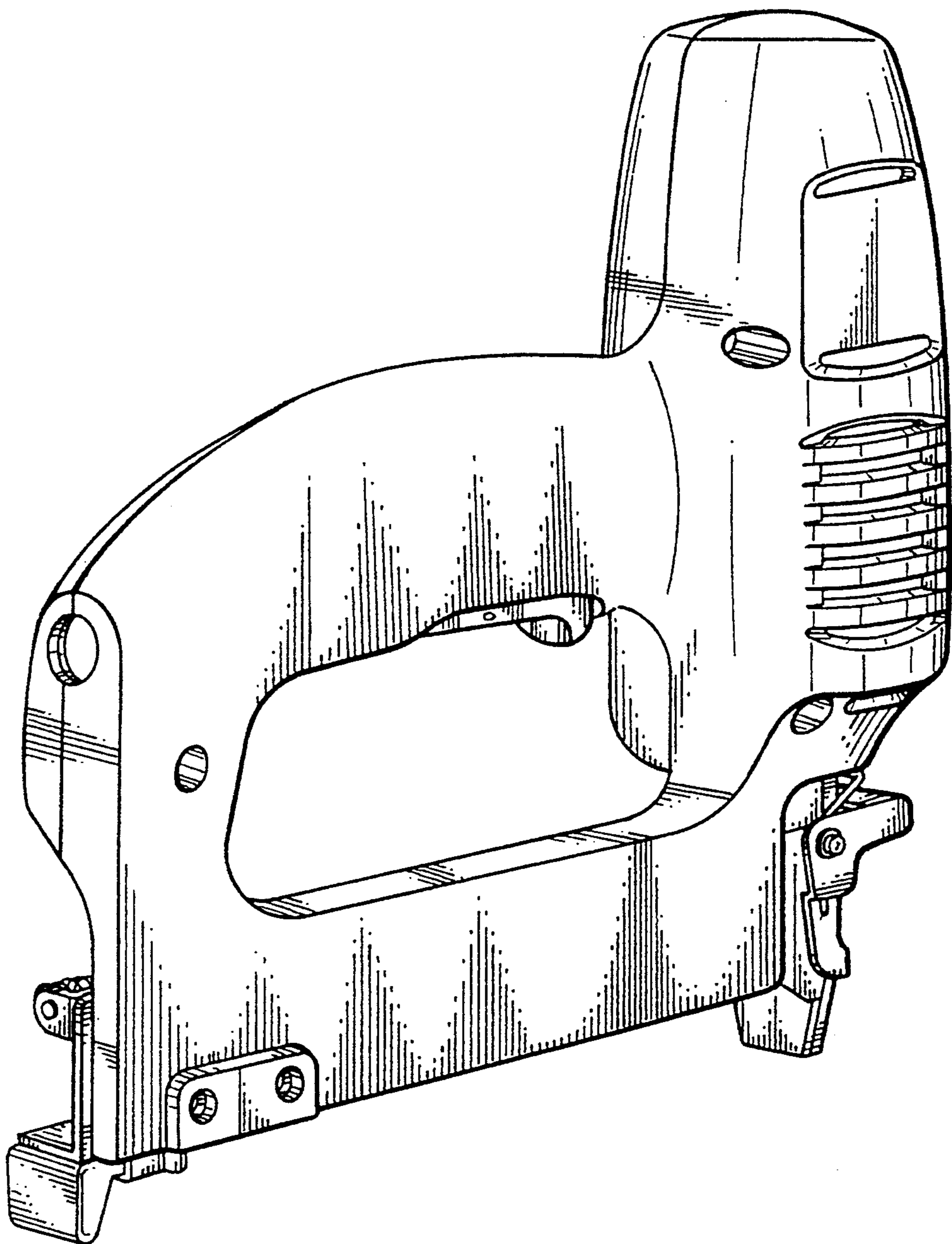


FIG. 3

