



US00D350680S

# United States Patent [19]

[11] Patent Number: Des. 350,680

Berfield et al.

[45] Date of Patent: \*\* Sep. 20, 1994

[54] CHAIN SAW

[75] Inventors: Robert C. Berfield, Jersey Shore;  
Ronald E. Meland, Muncy, both of Pa.

[73] Assignee: McCulloch Corporation, Tucson, Ark.

[\*\*] Term: 14 Years

[21] Appl. No.: 9,827

[22] Filed: Jun. 22, 1993

[52] U.S. Cl. .... D8/65; D8/69

[58] Field of Search ..... D8/61, 65, 69; 30/381, 30/382, 383

[56] **References Cited**

**U.S. PATENT DOCUMENTS**

D. 237,352	10/1975	Shymkus .....	D8/65
D. 273,456	4/1984	McDougall et al. ....	D8/65
D. 288,896	3/1987	Yamamoto et al. ....	D8/65
D. 302,931	8/1989	Nakajima et al. ....	D8/65
D. 303,207	9/1989	Nakajima .....	D8/65
D. 309,087	7/1990	Yamamoto et al. ....	D8/65
D. 320,728	10/1991	Arvidsson .....	D8/65
D. 325,330	4/1992	Barnhill .....	D8/65
D. 325,859	5/1992	Yokata et al. ....	D8/65
4,202,096	5/1980	Nagashima .....	30/381
4,389,779	6/1983	Overbury et al. ....	30/382
4,583,291	4/1986	Pilatowicz .....	30/383
4,602,656	7/1986	Nagashima et al. ....	137/590
4,636,147	1/1987	Schweitzer et al. ....	417/214
4,654,970	4/1987	Nagashima .....	30/383
4,680,862	7/1987	Wieland et al. ....	30/381
4,811,487	3/1989	Takahashi et al. ....	30/382
4,819,332	4/1989	Sugihara et al. ....	30/123.4
5,184,403	2/1993	Schliemann .....	30/123.4
5,245,757	9/1993	Weissert et al. ....	30/381

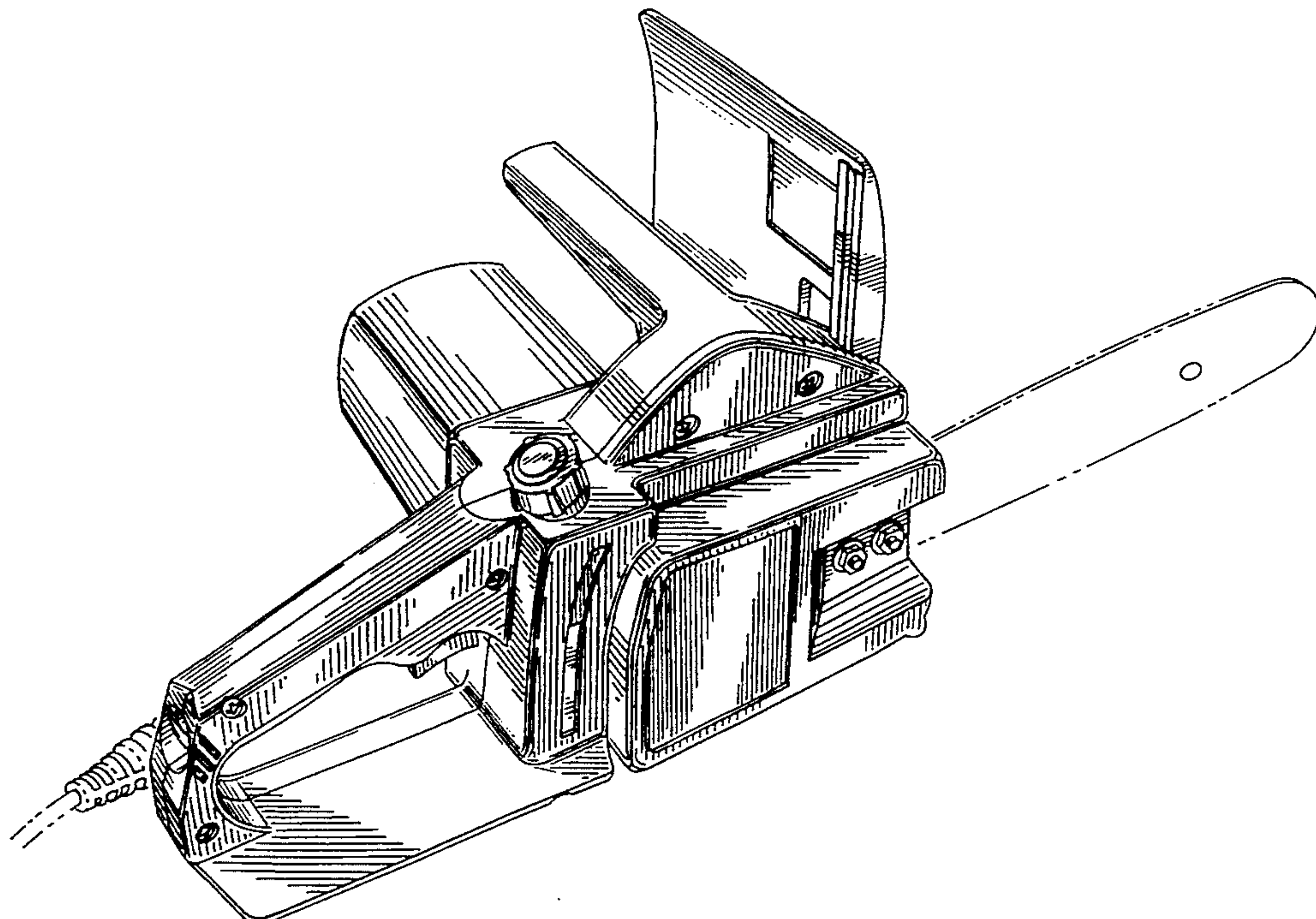
Primary Examiner—Alan P. Douglas  
Assistant Examiner—Jeffrey H. Musgrove  
Attorney, Agent, or Firm—Marshall, O'Toole, Gerstein, Murray & Borun

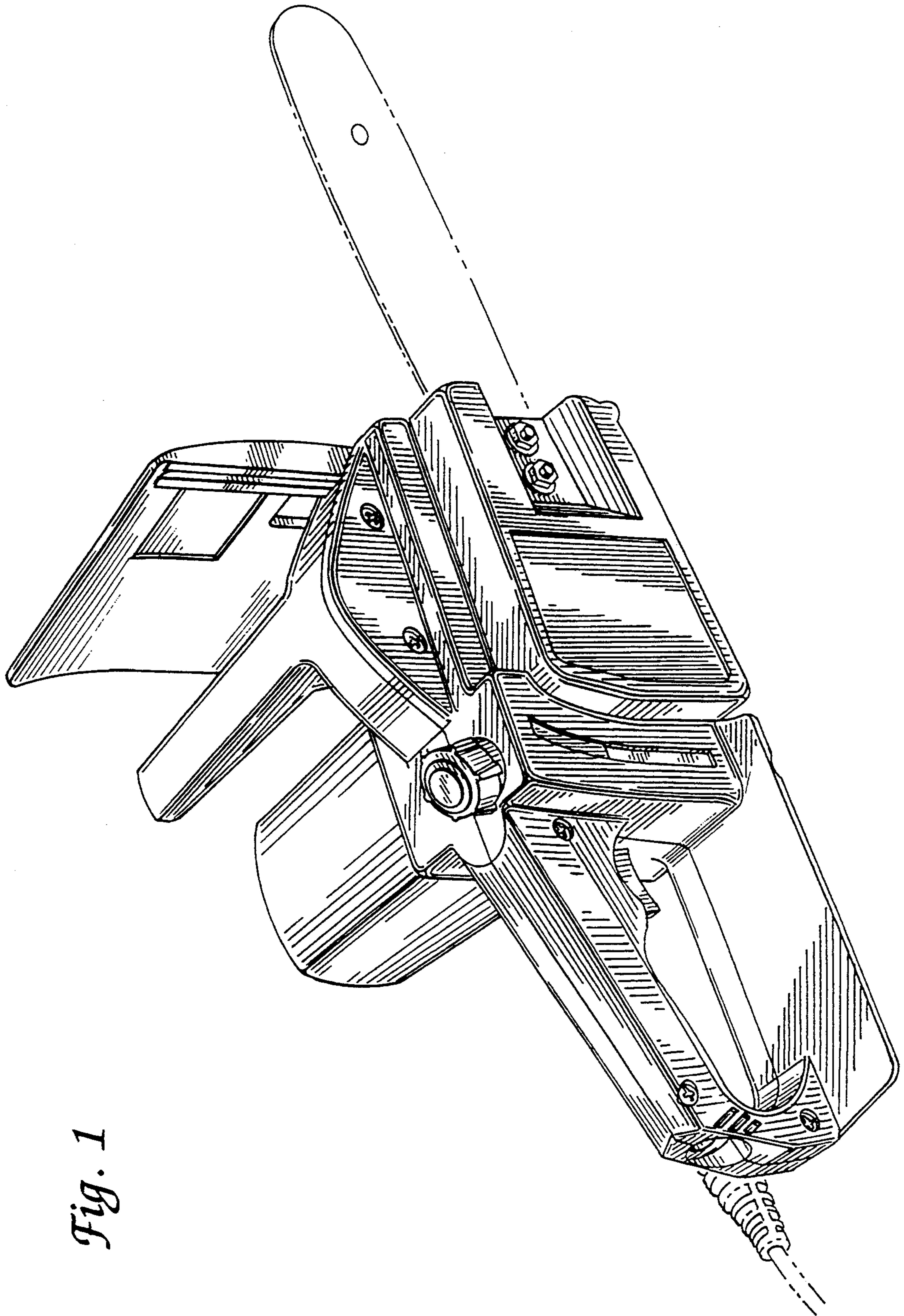
[57] **CLAIM**

The ornamental design for a chain saw, as shown and described.

**DESCRIPTION**

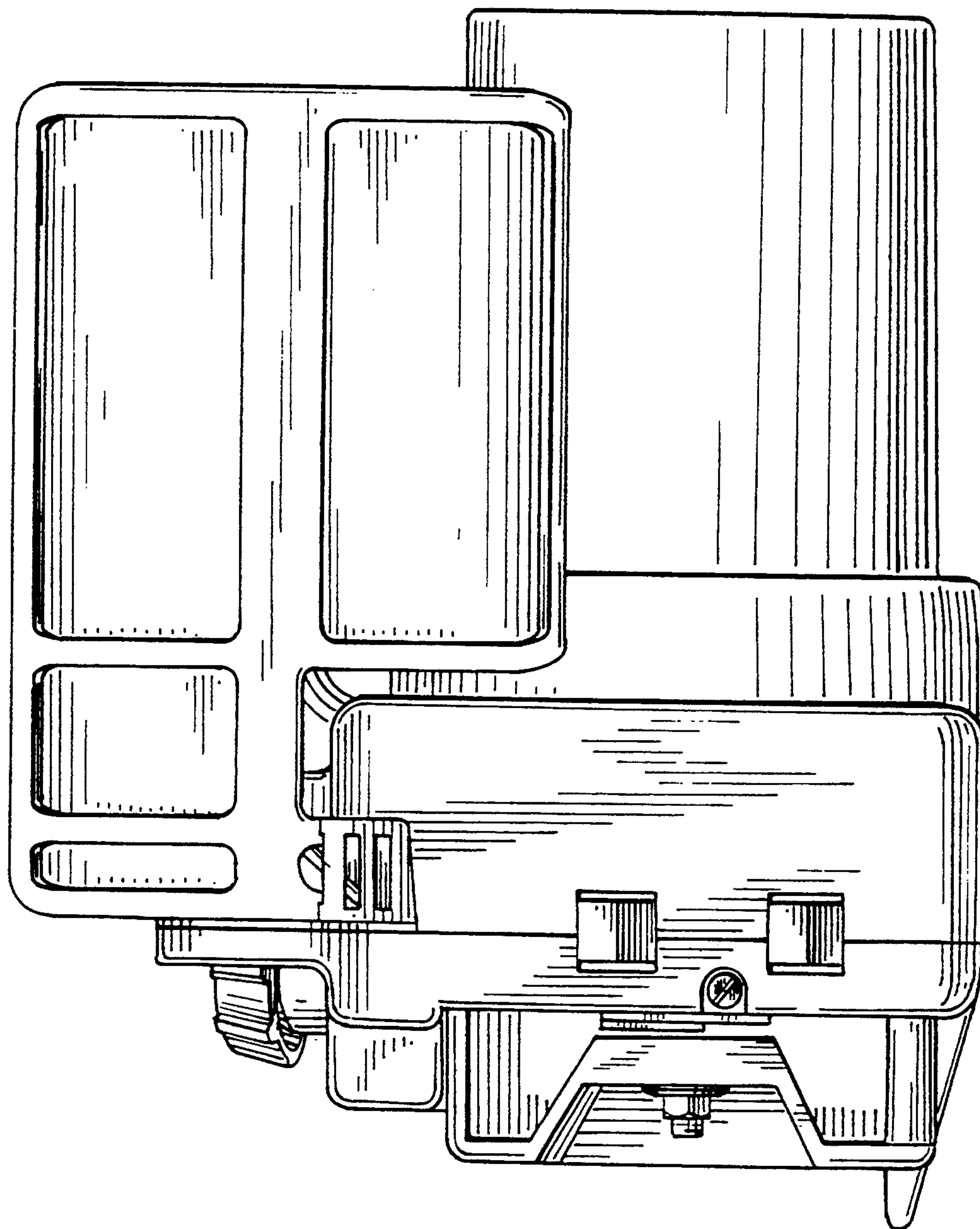
FIG. 1 is a right side perspective view taken from the rear and above of a chain saw showing a first embodiment of our new design;  
 FIG. 2 is a front elevational view thereof;  
 FIG. 3 is a right side elevational view thereof;  
 FIG. 4 is a left side elevational view thereof;  
 FIG. 5 is a rear elevational view thereof;  
 FIG. 6 is a plan view thereof;  
 FIG. 7 is a bottom elevational view thereof;  
 FIG. 8 is a right side perspective view taken from the rear and above showing the brake lever in a forward position thereof;  
 FIG. 9 is a right side perspective view of a second embodiment taken from the rear and above thereof;  
 FIG. 10 is a front elevational view of a second embodiment thereof;  
 FIG. 11 is a right side elevational view of a second embodiment thereof;  
 FIG. 12 is a left side elevational view of a second embodiment thereof;  
 FIG. 13 is a rear elevational view of a second embodiment thereof;  
 FIG. 14 is a plan view of a second embodiment thereof; and,  
 FIG. 15 is a bottom elevational view of a second embodiment thereof.





*Fig. 1*





*Fig. 2*

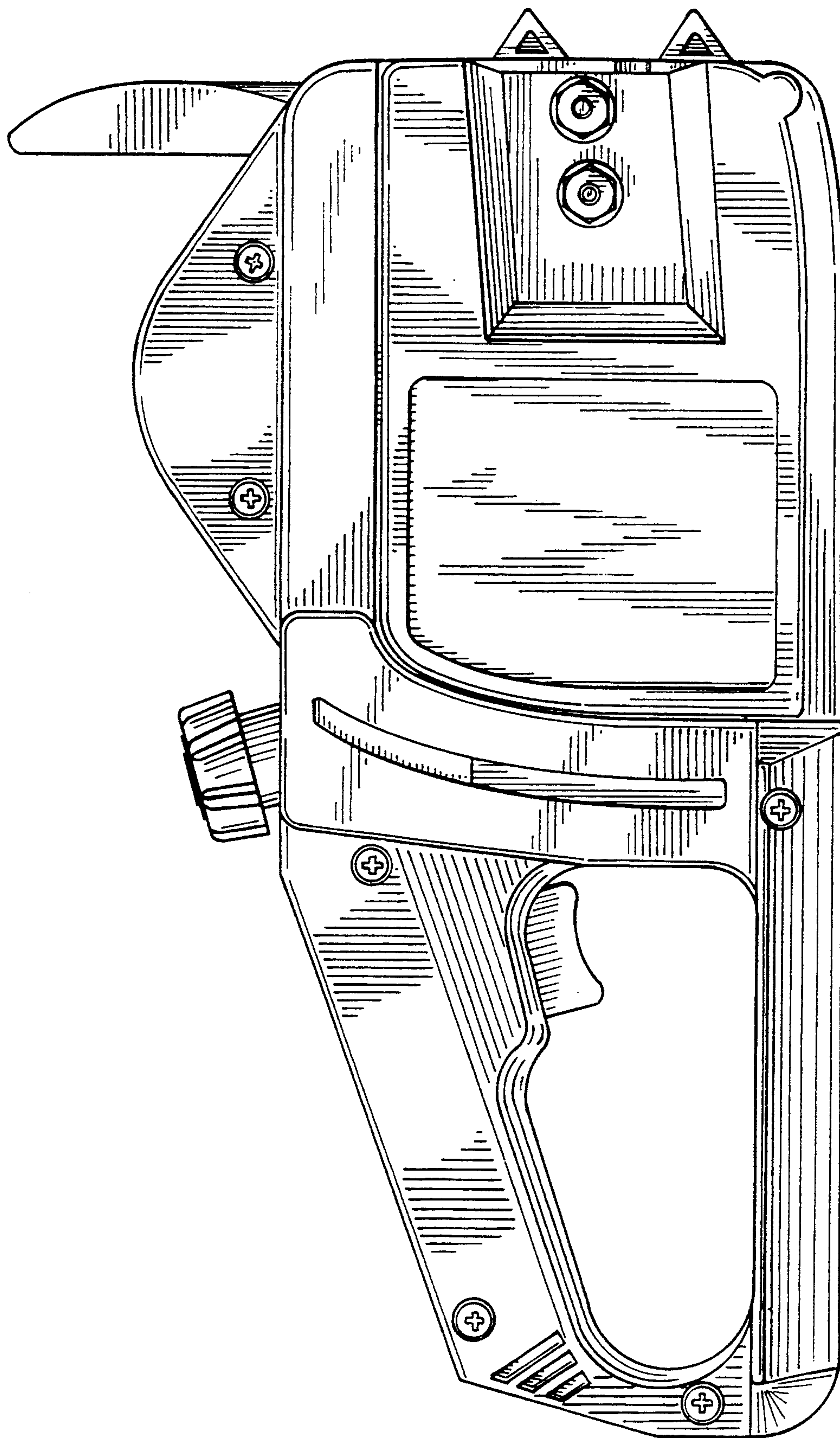
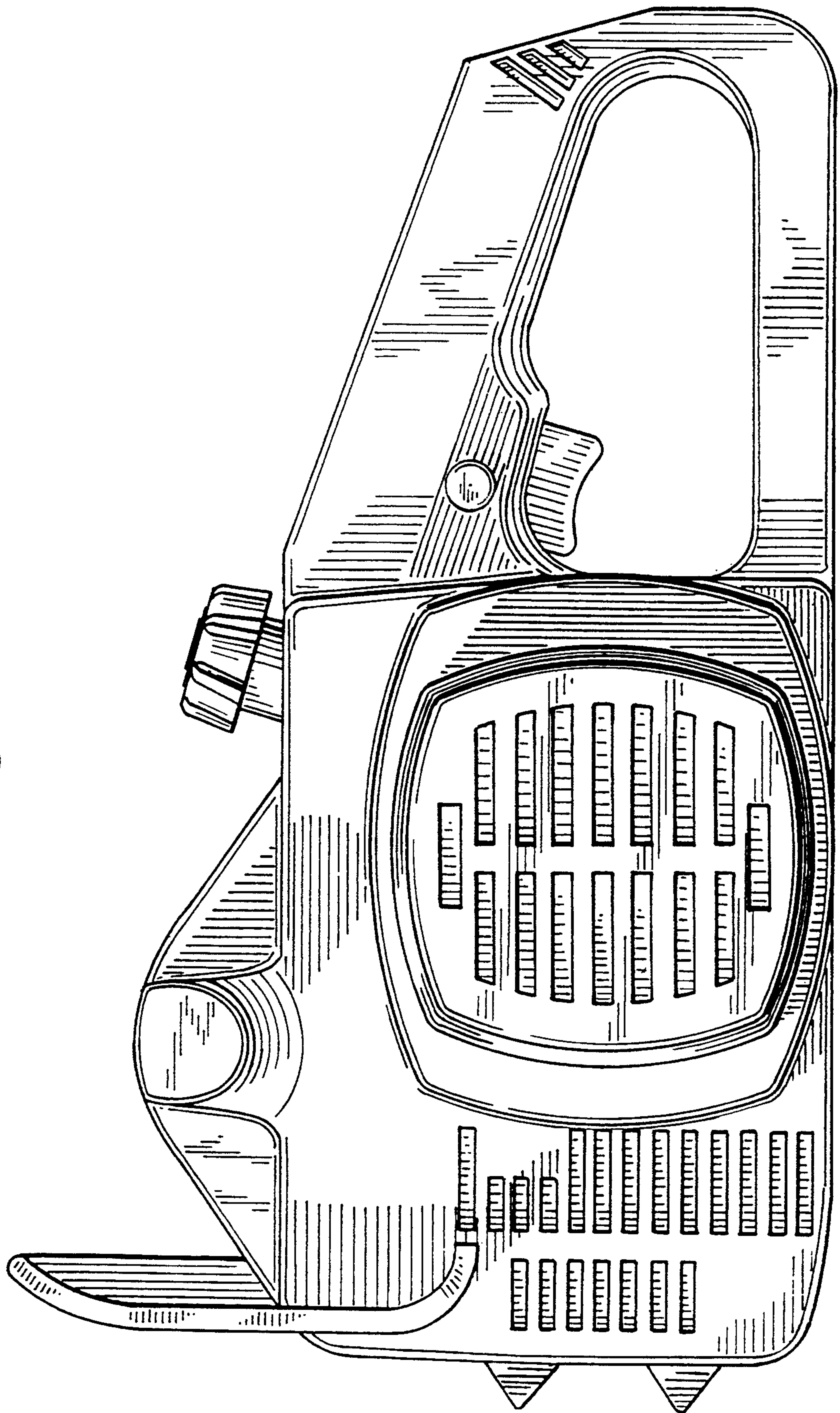


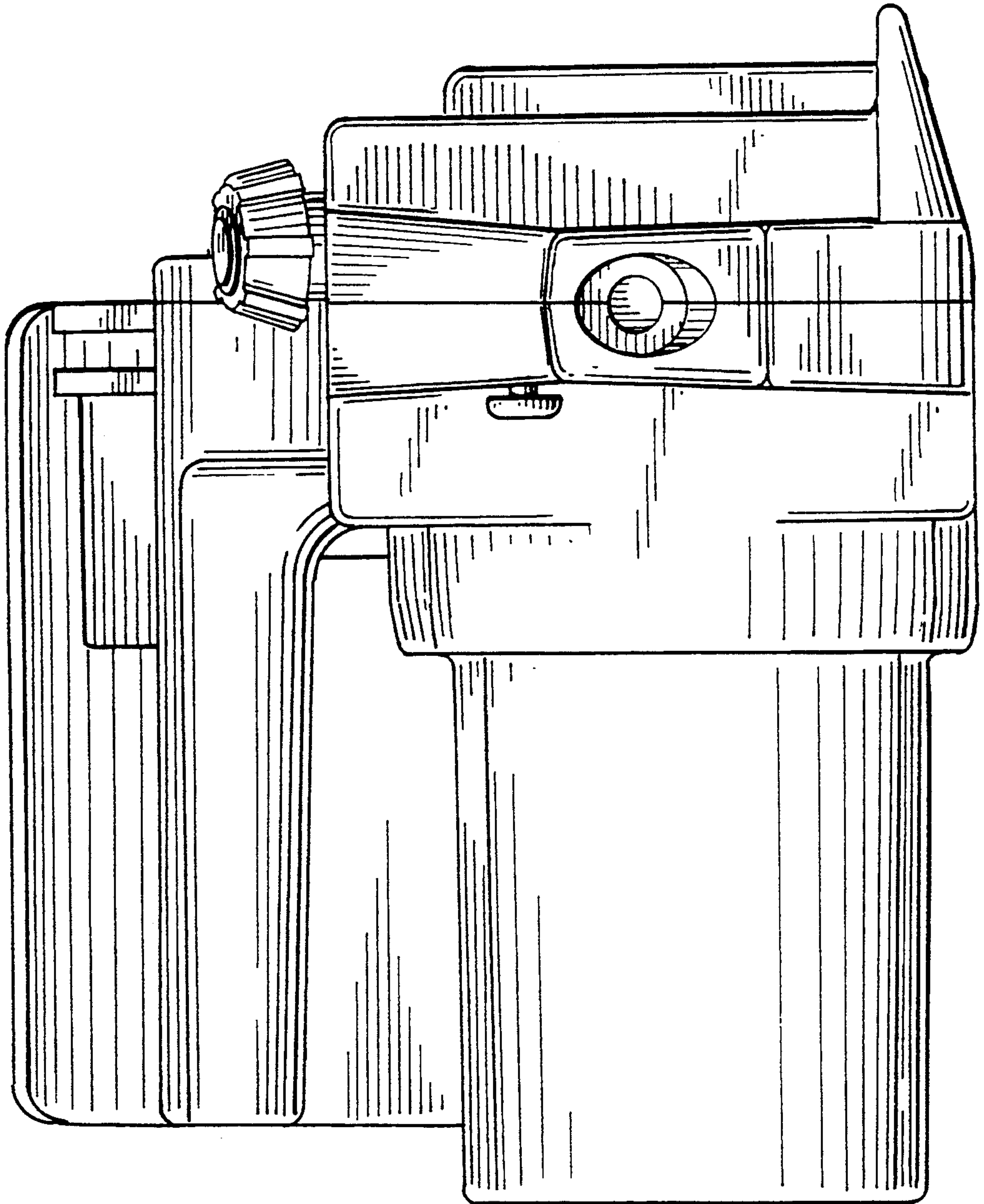
Fig. 3

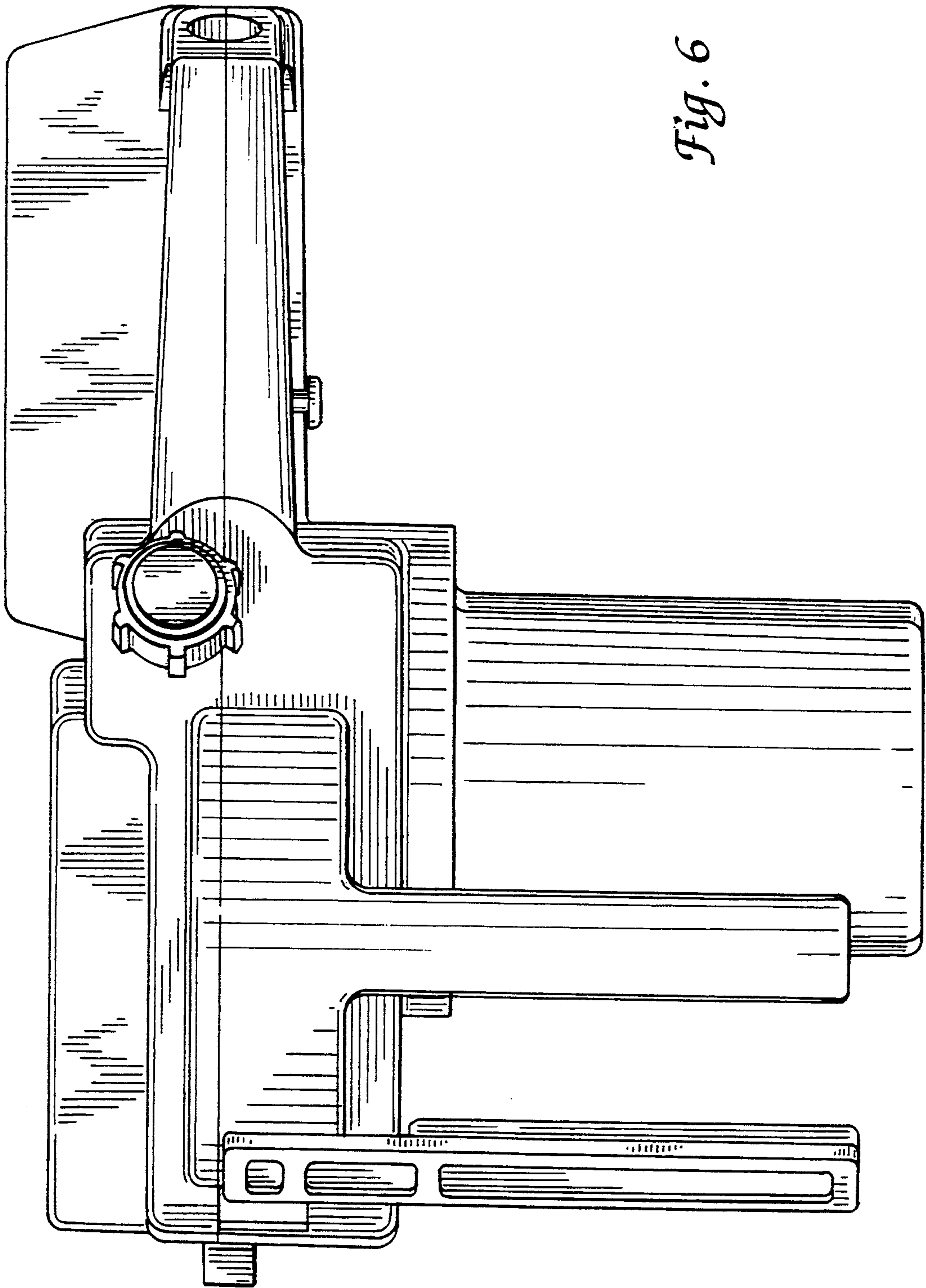
*Fig. 4*





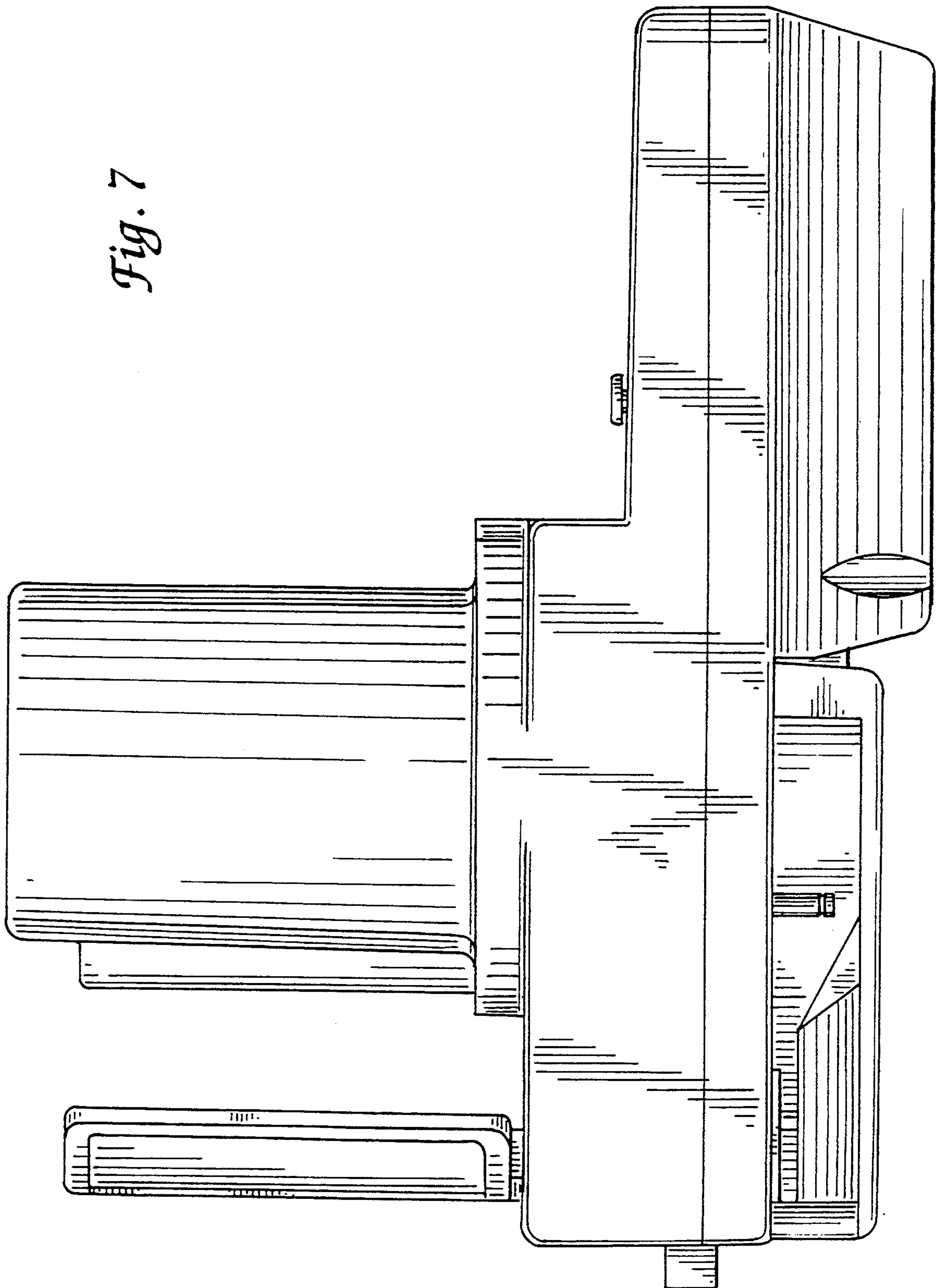
*Fig. 5*





*Fig. 6*

*Fig. 7*





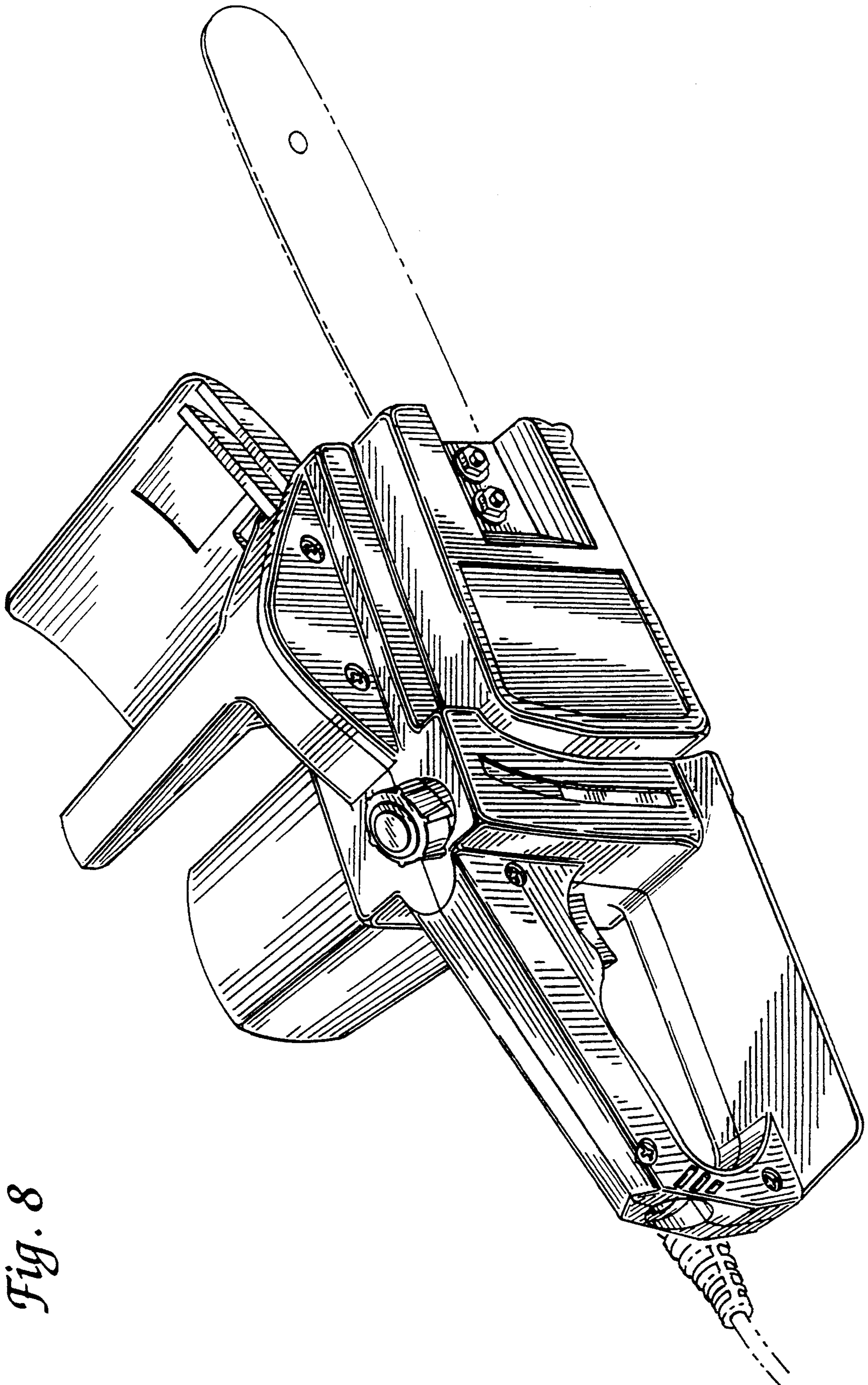
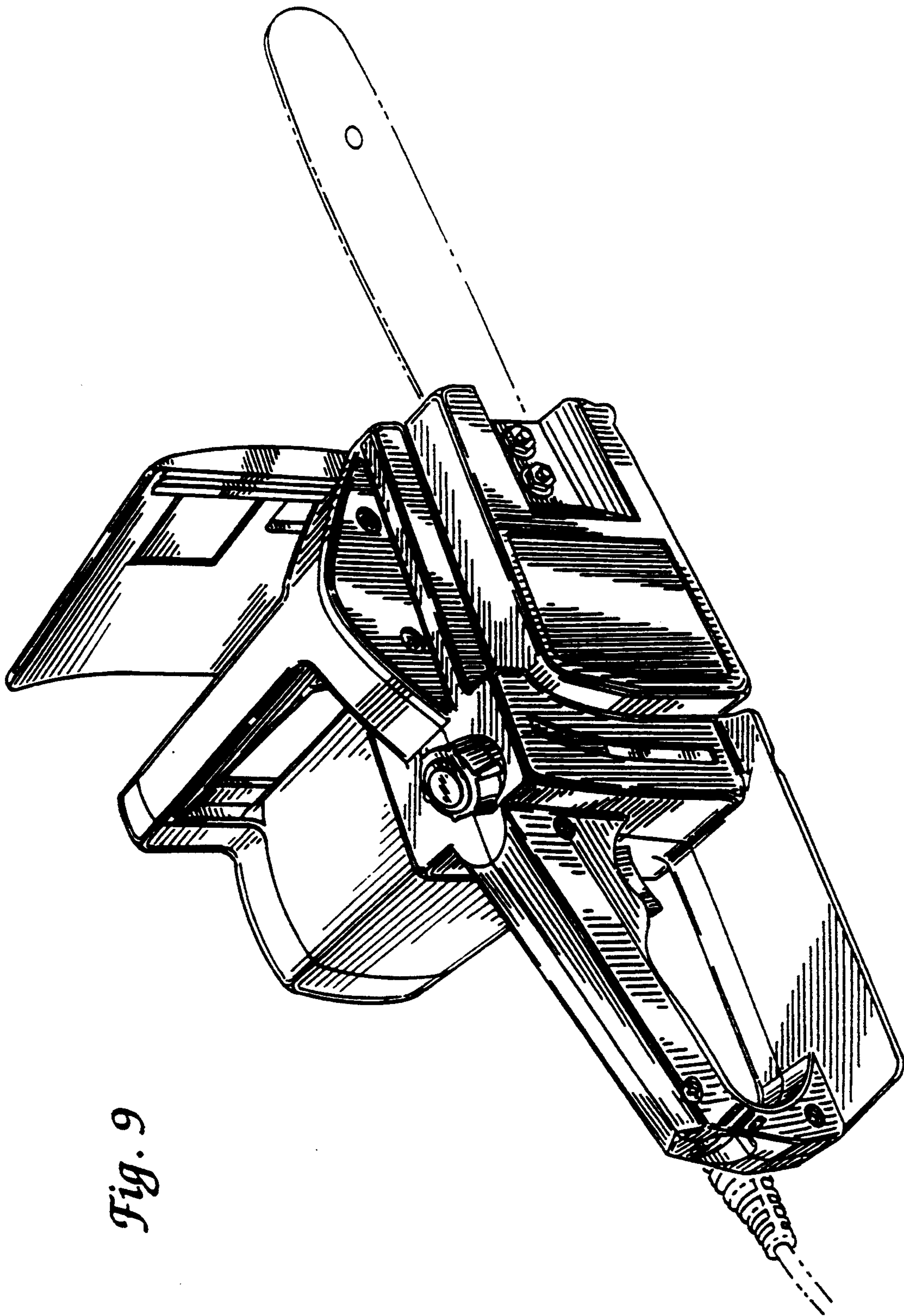
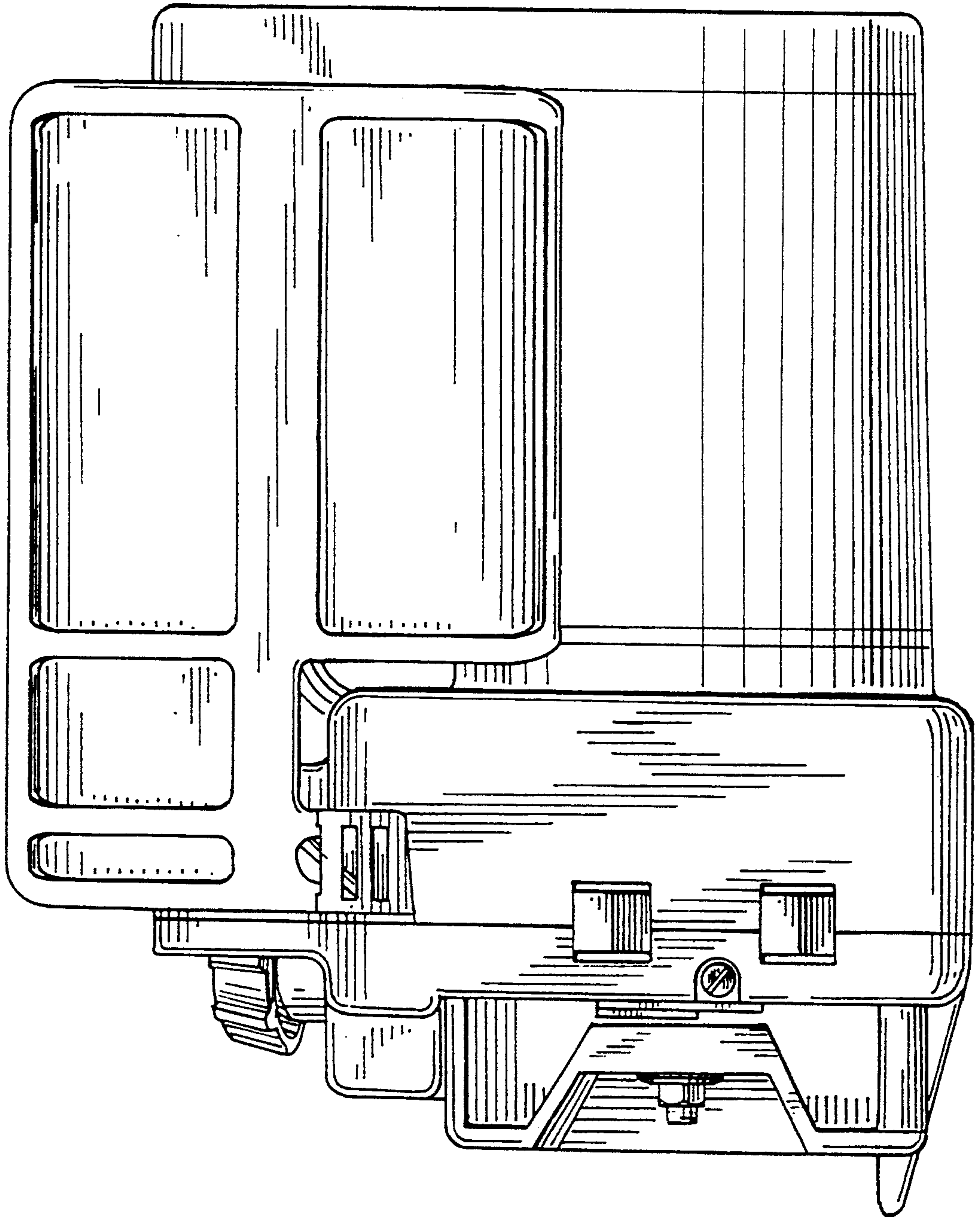


Fig. 8



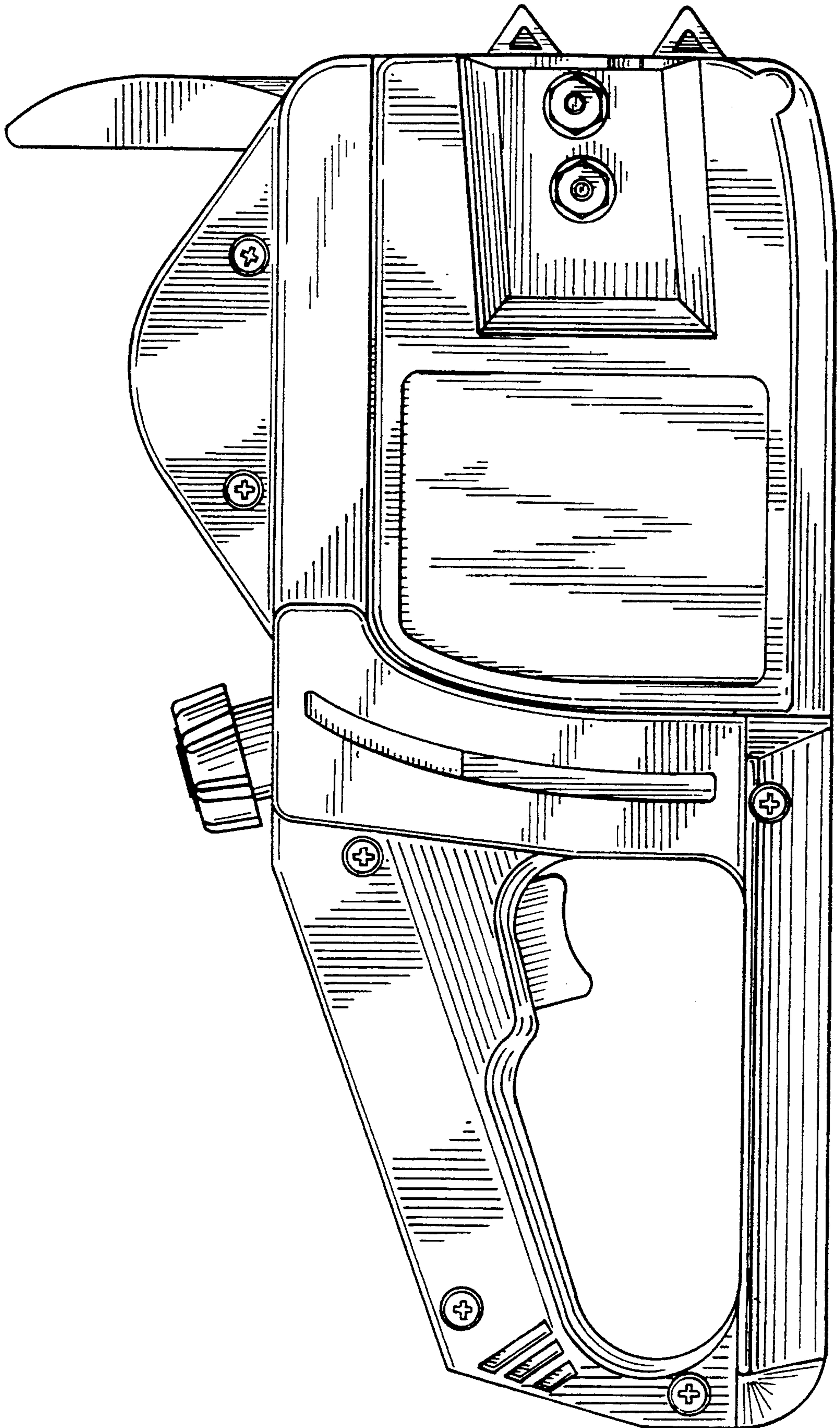
*Fig. 9*



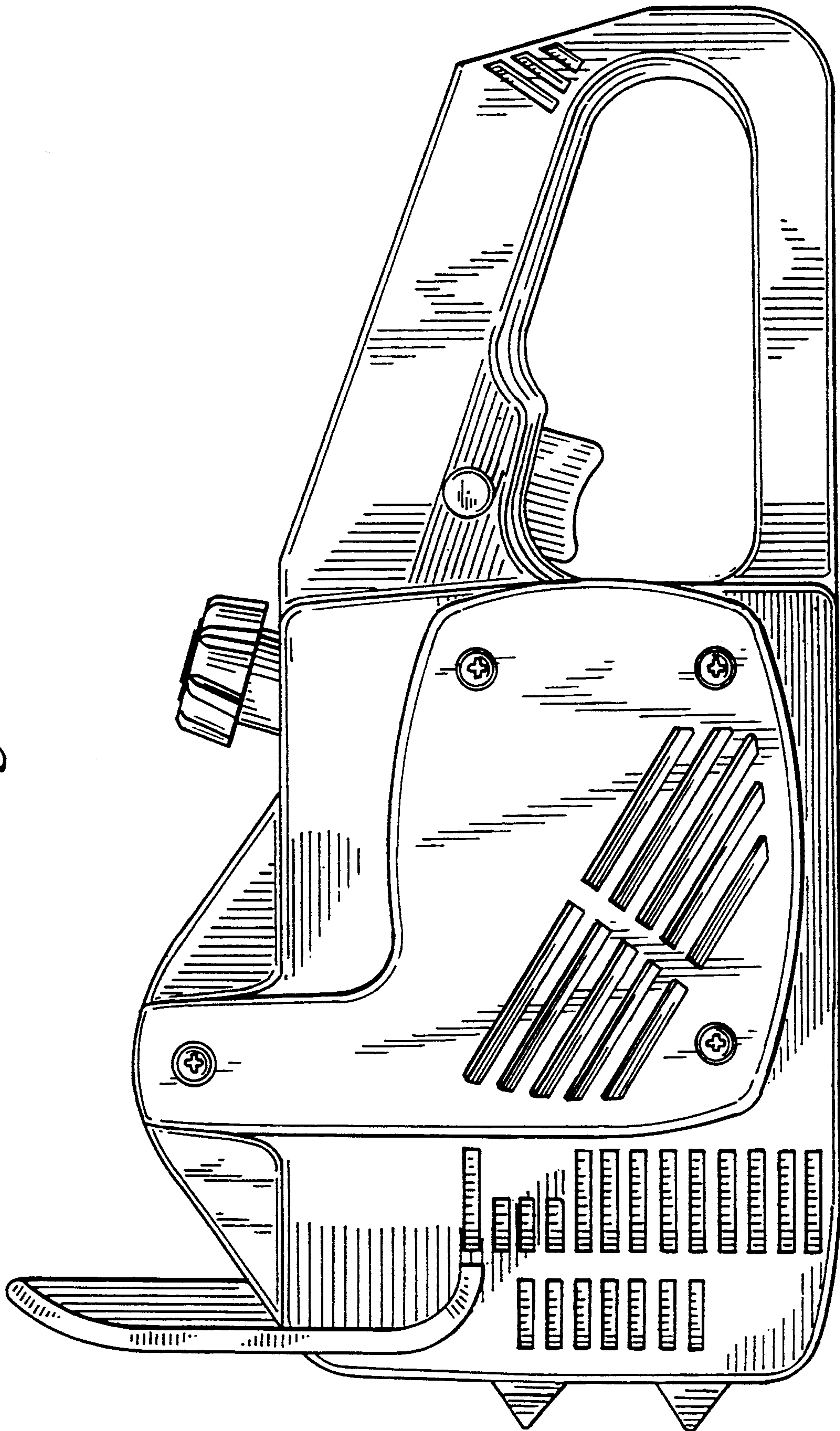
*Fig. 10*



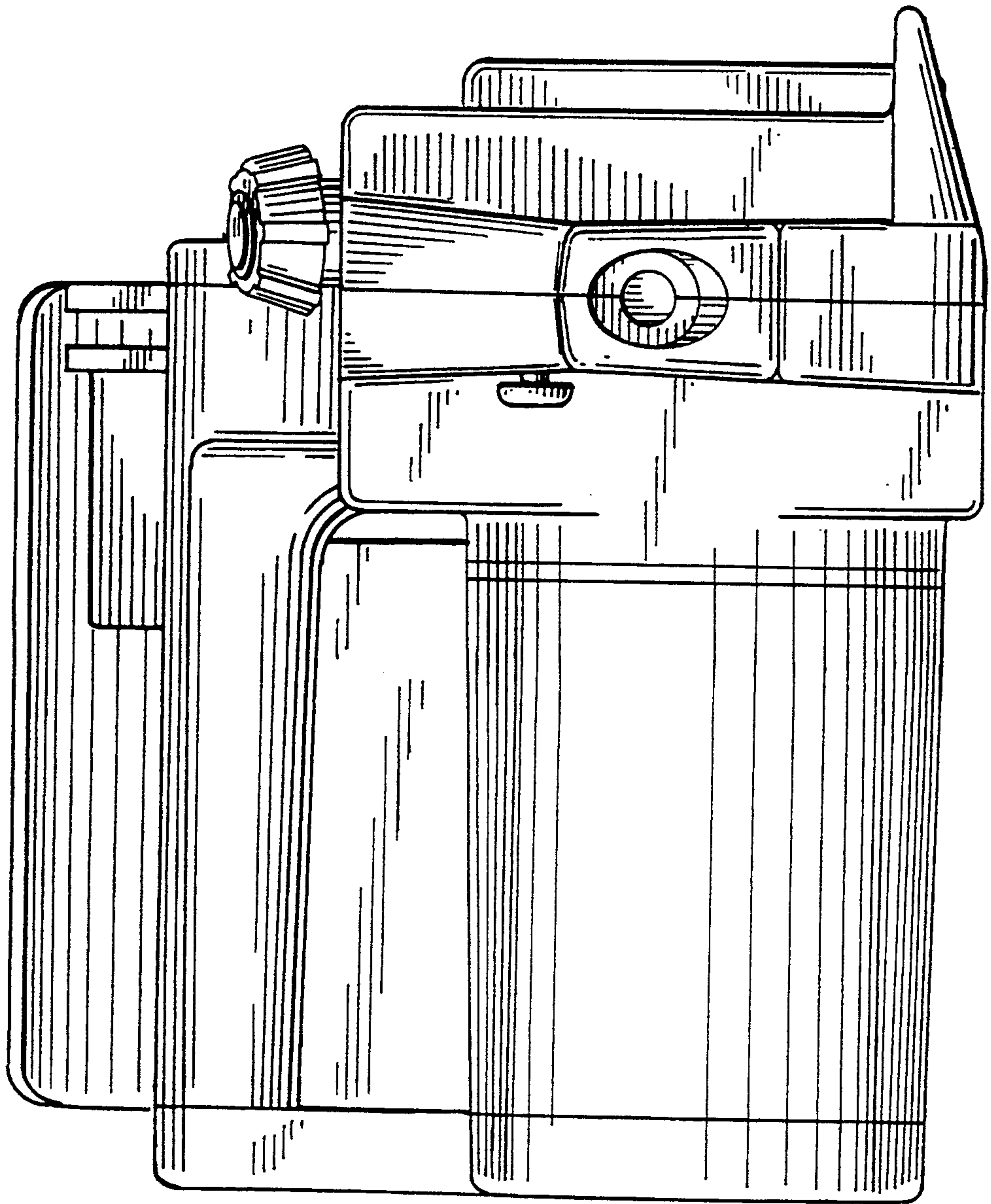
*Fig. 11*



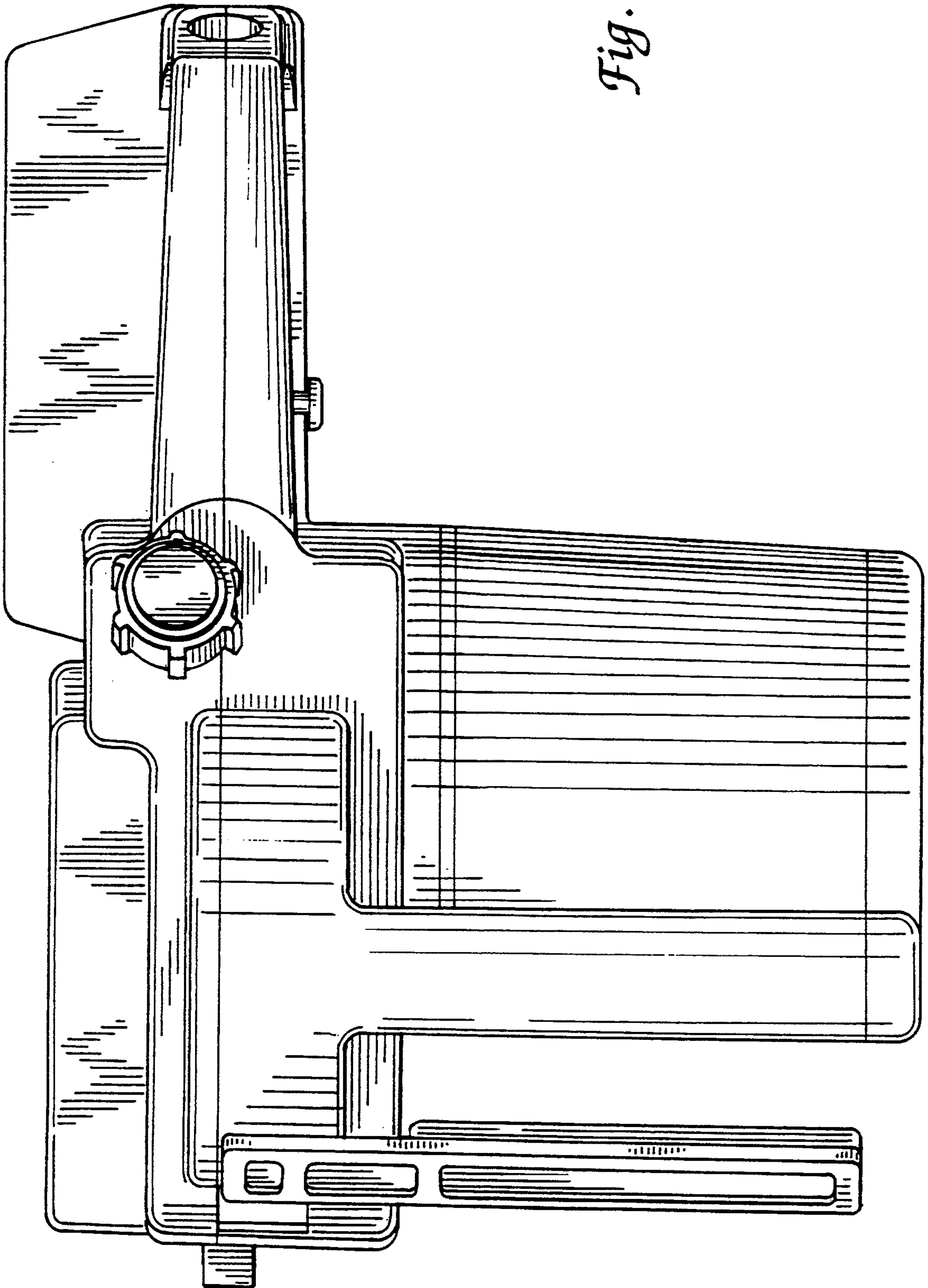
*Fig. 12*



*Fig. 13*







*Fig. 14*

*Fig. 15*

