



US00D350679S

United States Patent [19]

[11] Patent Number: **Des. 350,679**

Khan et al.

[45] Date of Patent: **** Sep. 20, 1994**

[54] **STAPLING MACHINE**
[75] Inventors: **Zahed Khan, Cardiff, Wales; Paul Jones, Mid-Glamorgan, Great Britain**

D. 301,677 6/1989 Rosenblad D8/50
D. 302,781 8/1989 Ebihara D8/50
D. 331,001 11/1992 Huang D8/50
2,399,761 5/1946 Ruskin 227/128
4,778,096 10/1988 Ebihara 227/155

[73] Assignee: **Ofrex Group Holdings PLC, Middlesex, Great Britain**

Primary Examiner—Bernard Ansher
Assistant Examiner—R. Barkai
Attorney, Agent, or Firm—Kirkpatrick & Lockhart

[**] Term: **14 Years**

[21] Appl. No.: **839,238**

[57] **CLAIM**

[22] Filed: **Feb. 21, 1992**

The ornamental design for stapling machine, as shown and described.

[30] **Foreign Application Priority Data**

DESCRIPTION

Aug. 23, 1991 [GB] United Kingdom 2016931

[52] U.S. Cl. **D8/50**

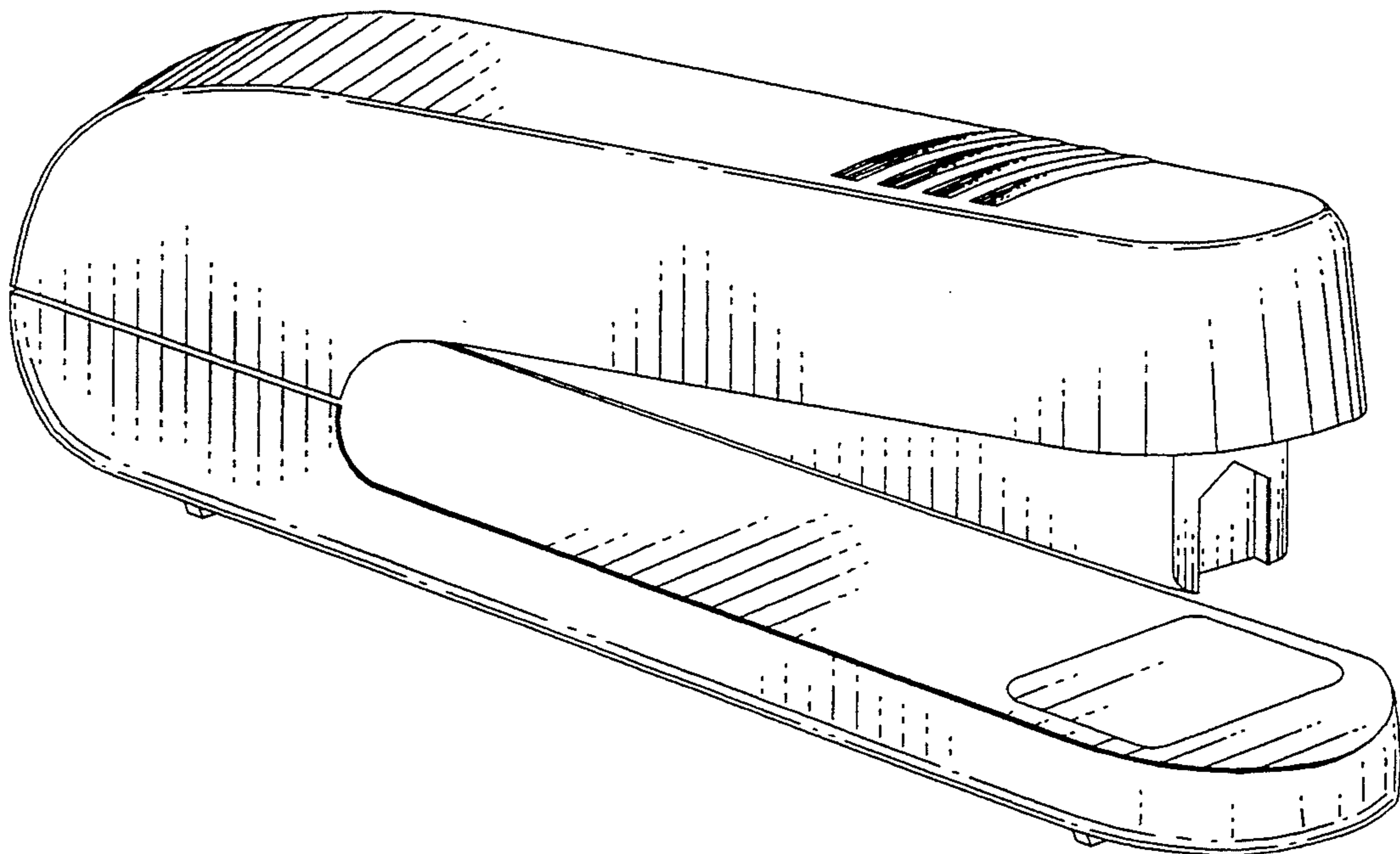
[58] Field of Search D8/49, 50; 227/127, 227/128, 134, 155

FIG. 1 is a right side perspective view of the stapling machine according to the present design;
FIG. 2 is a left side perspective view;
FIG. 3 is a top plan view;
FIG. 4 is a bottom plan view;
FIG. 5 is left side elevation view, the right side being a mirror image thereof;
FIG. 6 is a front elevation view; and,
FIG. 7 is a rear elevation view.

[56] **References Cited**

U.S. PATENT DOCUMENTS

D. 186,201 9/1959 Rosengren D8/50
D. 295,015 4/1988 Ebihara D8/50



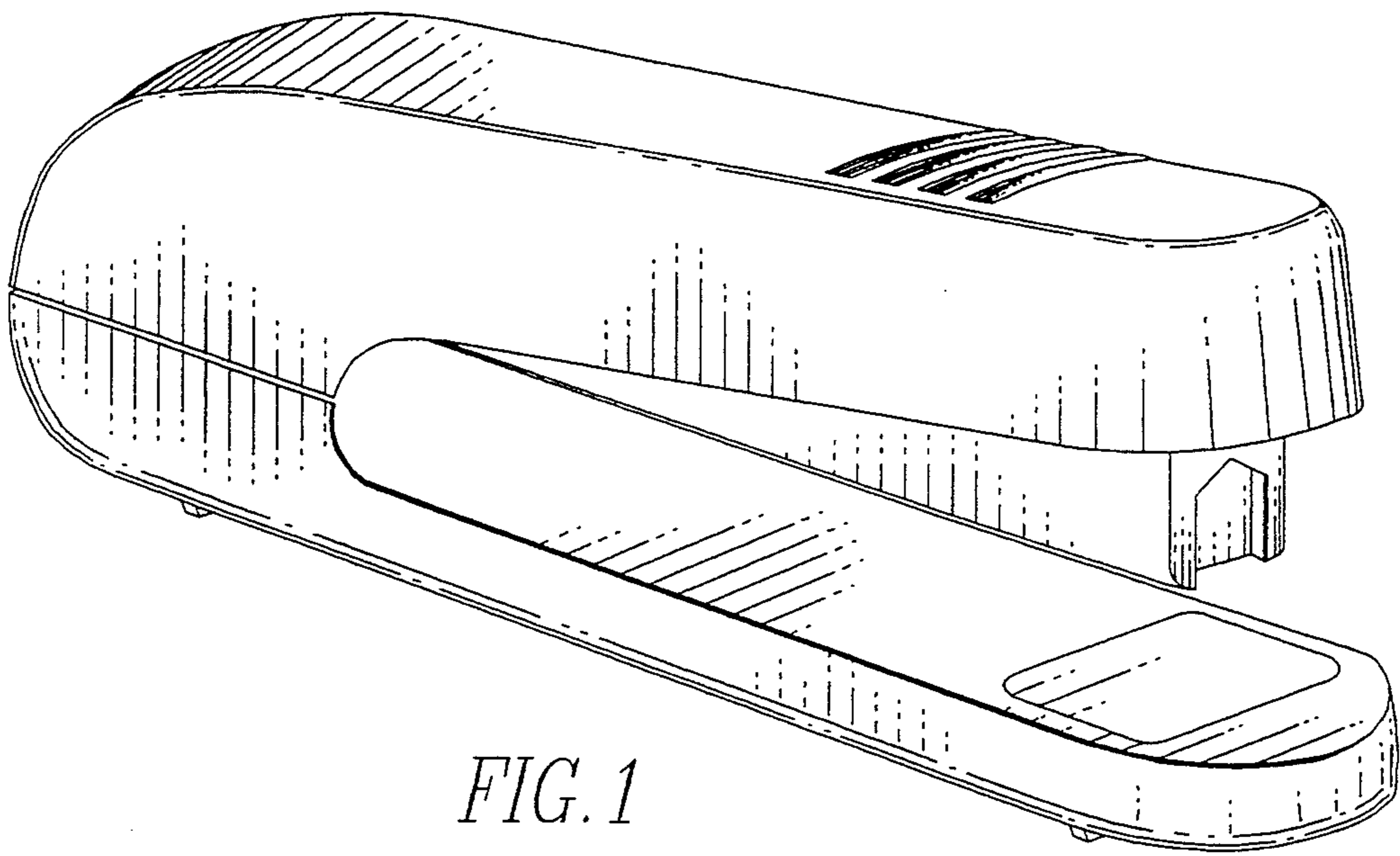


FIG. 1

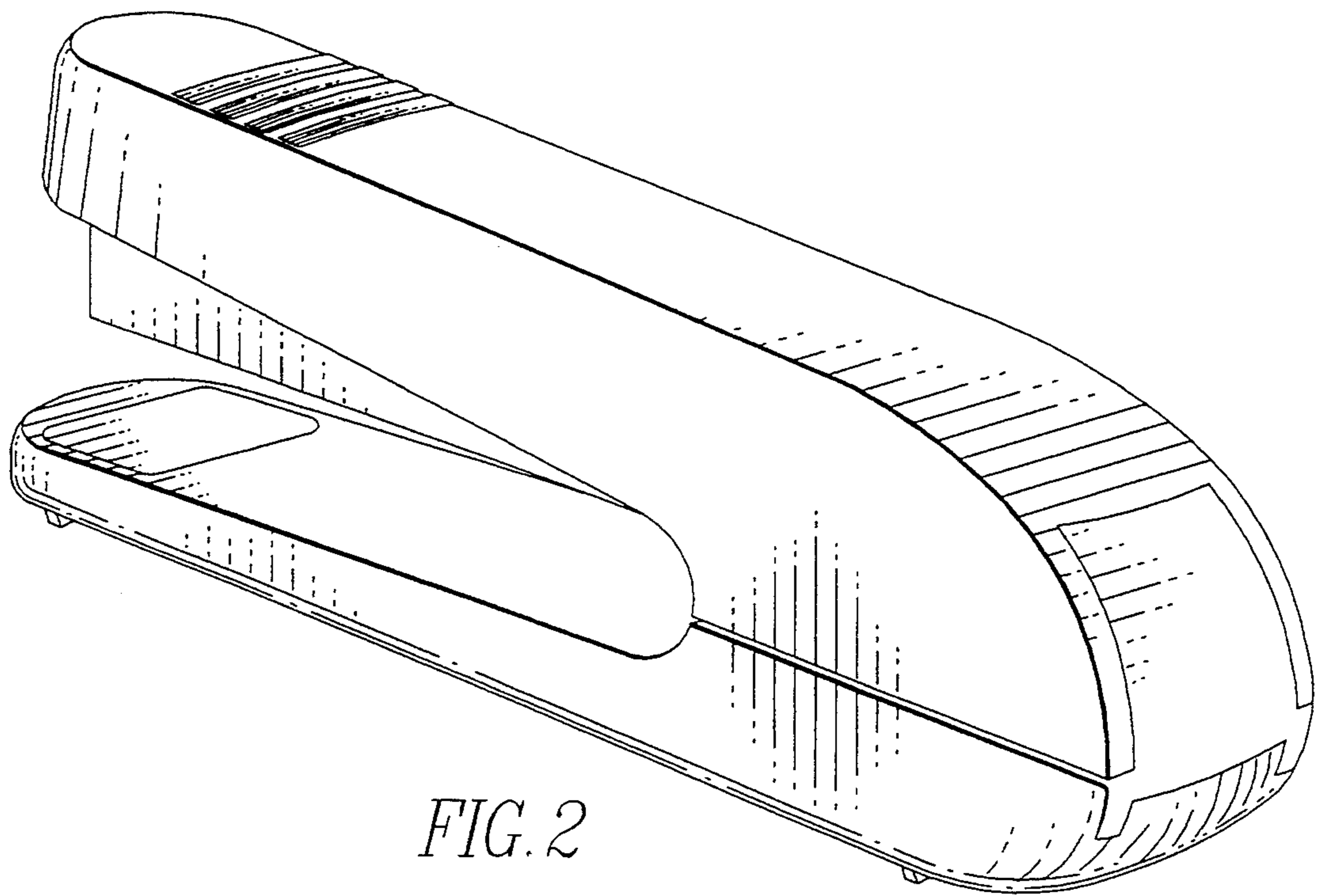


FIG. 2

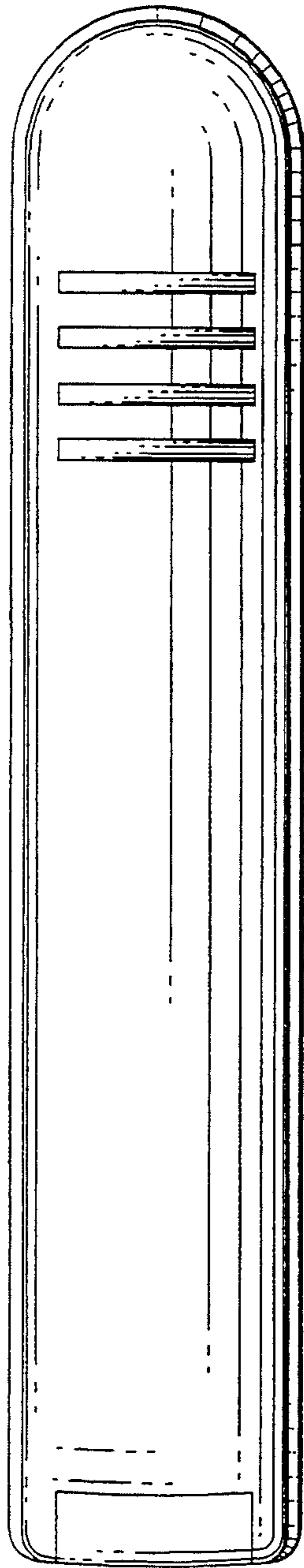


FIG. 3

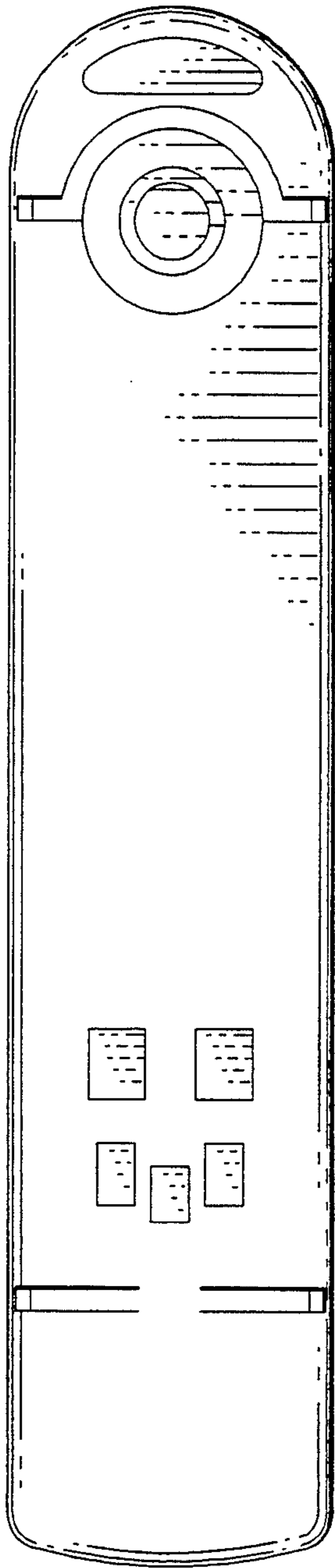


FIG. 4

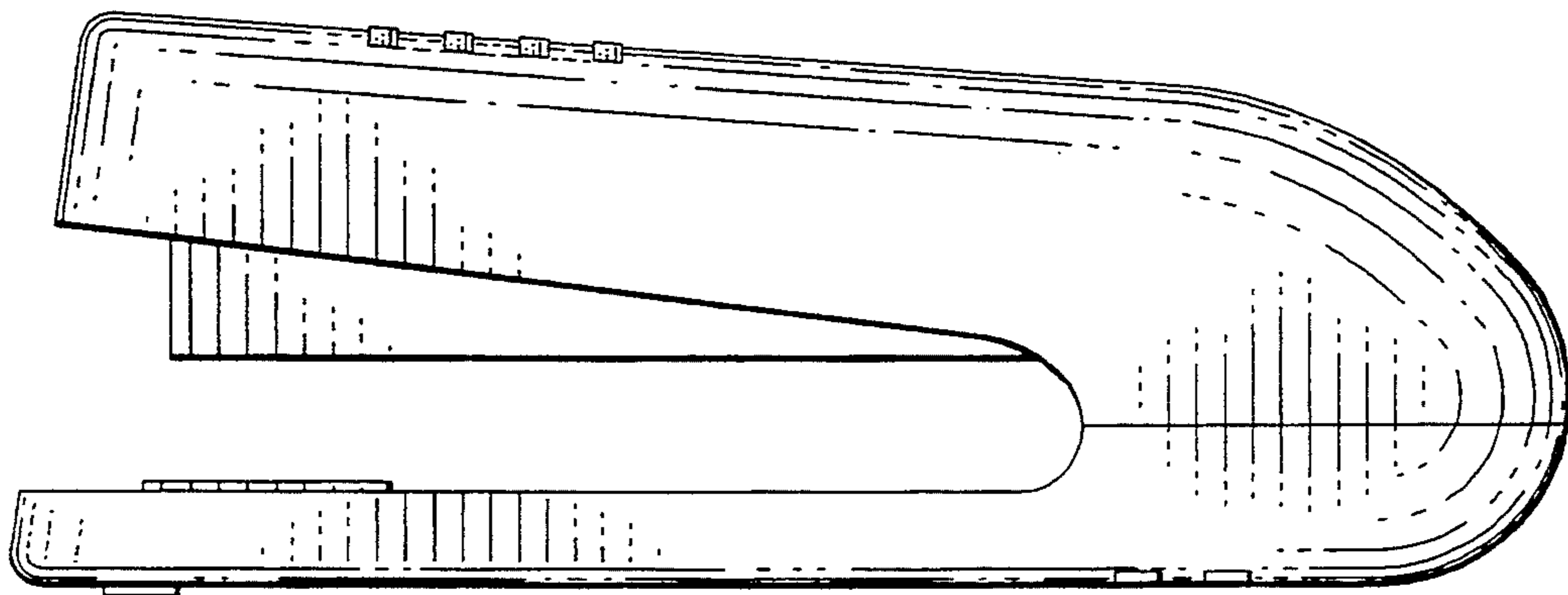


FIG. 5

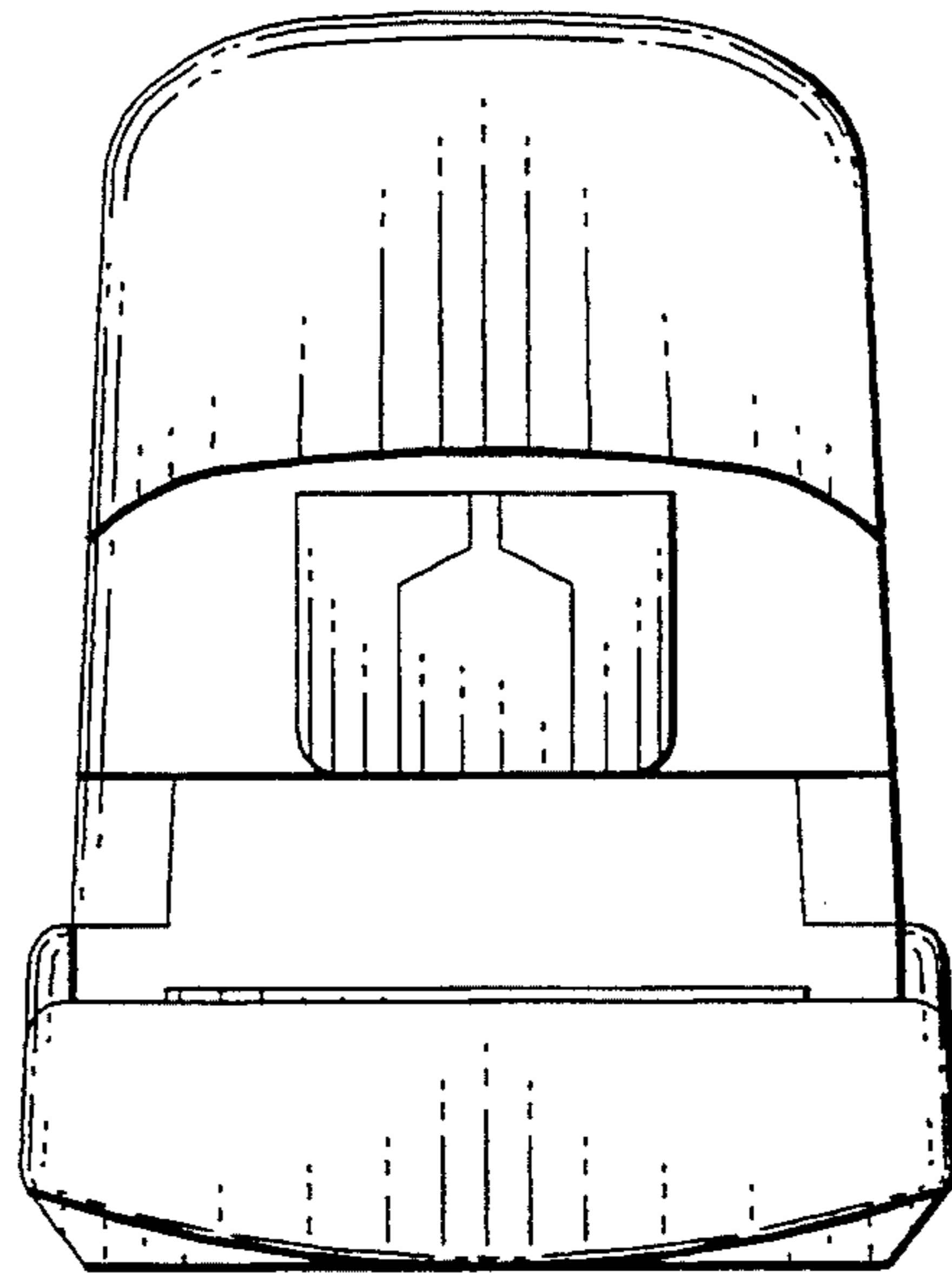


FIG. 6

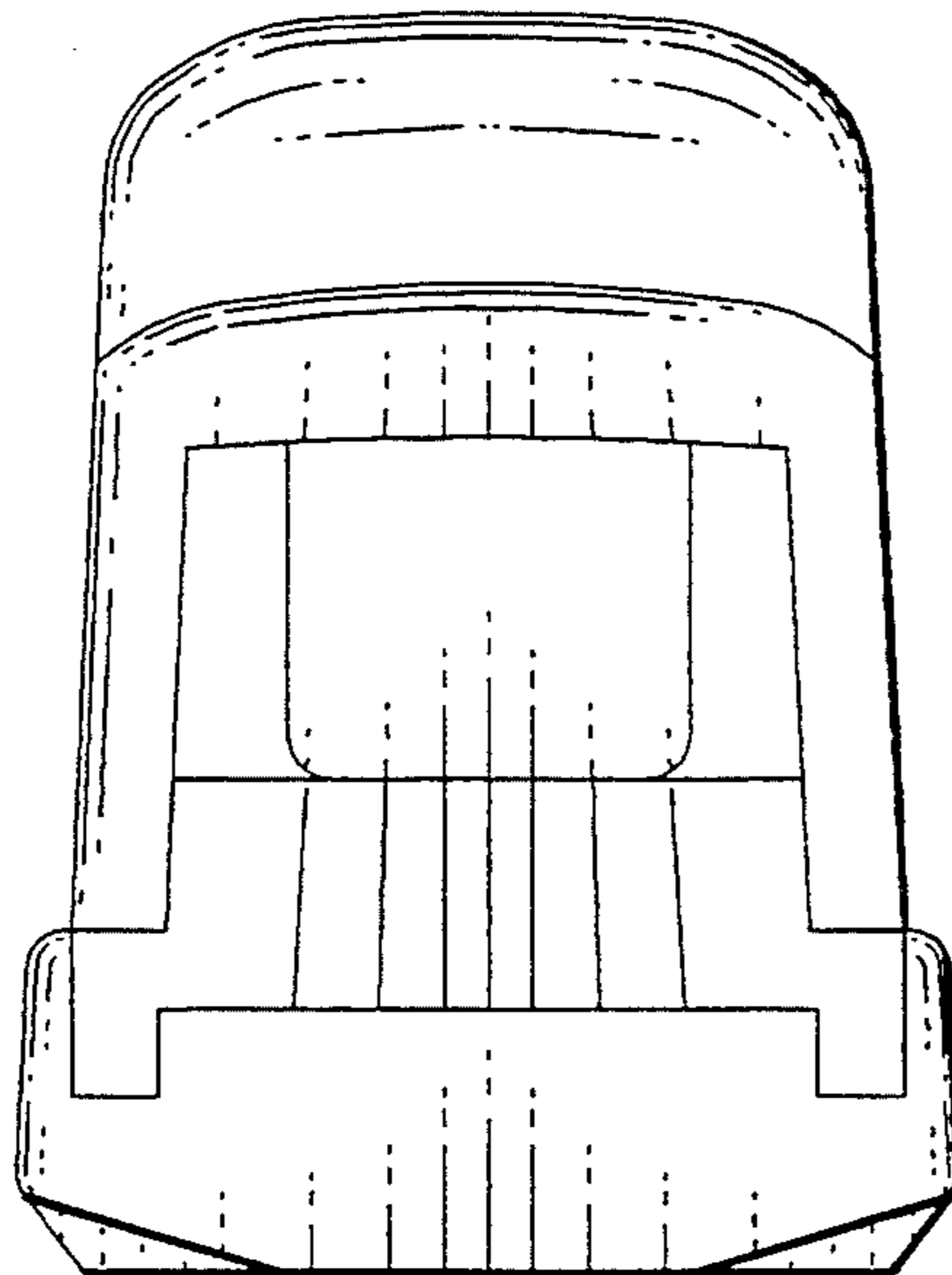


FIG. 7