



US00D350678S

United States Patent [19]

[11] Patent Number: **Des. 350,678**

Khan et al.

[45] Date of Patent: **** Sep. 20, 1994**

[54] **STAPLING MACHINE**

D. 186,201	9/1959	Rosengren	D8/50
D. 275,259	8/1984	Rosenblad	D8/50
D. 295,015	4/1988	Ebihara	D8/50
2,399,761	5/1946	Ruskin	227/128
4,778,096	10/1988	Ebihara	227/155

[75] Inventors: **Zahed Khan**, Cardiff, Wales; **Paul Jones**, Mid-Glamorgan, Great Britain

[73] Assignee: **Ofrex Group Holdings PLC**, Middlesex, Great Britain

Primary Examiner—Bernard Ansher
Assistant Examiner—R. Barkai
Attorney, Agent, or Firm—Kirkpatrick & Lockhart

[**] Term: **14 Years**

[57] CLAIM

[21] Appl. No.: **839,237**

The ornamental design for stapling machine, as shown and described.

[22] Filed: **Feb. 21, 1992**

DESCRIPTION

[30] **Foreign Application Priority Data**

Aug. 23, 1991 [GB] United Kingdom 2016932

[52] U.S. Cl. **D8/50**

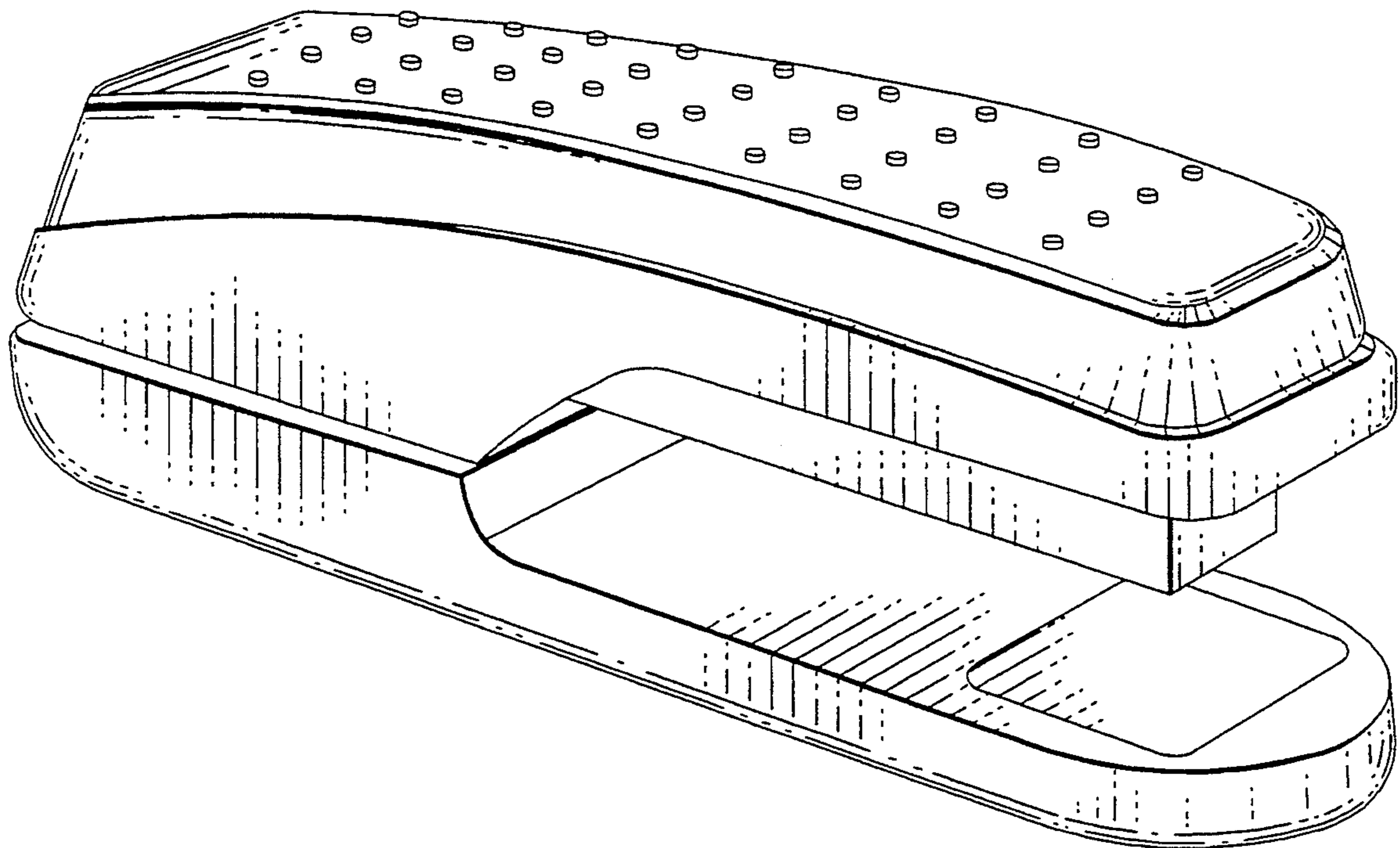
[58] Field of Search D8/50, 49; 227/127, 227/128, 134, 155

FIG. 1 is a right side perspective view of the stapling machine according to the present design;
FIG. 2 is a left side perspective view;
FIG. 3 is a top plan view;
FIG. 4 is a bottom plan view;
FIG. 5 is left side elevation view, the right side being a mirror image thereof;
FIG. 6 is a front elevation view; and,
FIG. 7 is a rear elevation view.

[56] **References Cited**

U.S. PATENT DOCUMENTS

D. 164,375 8/1951 Marano D8/50



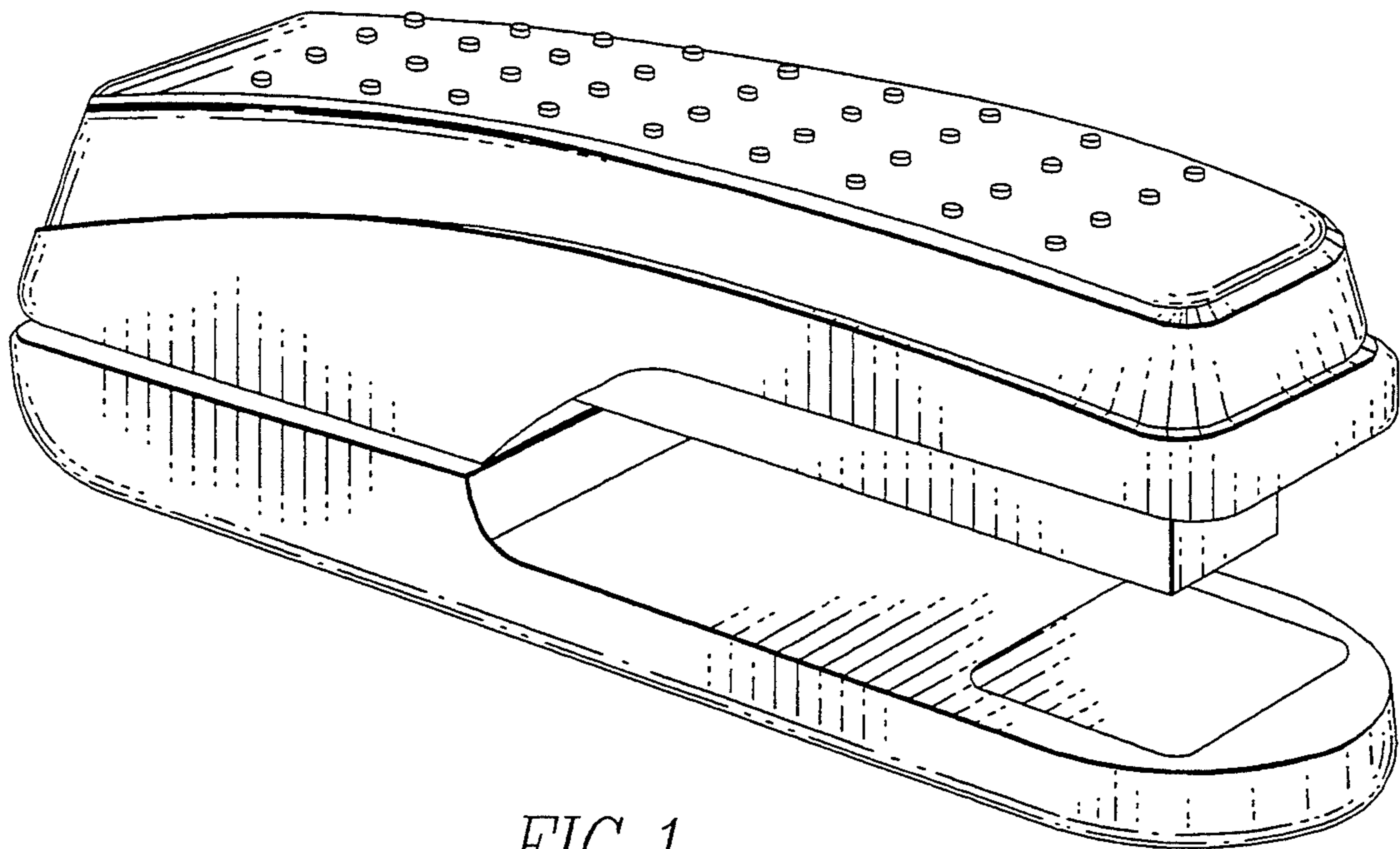


FIG. 1

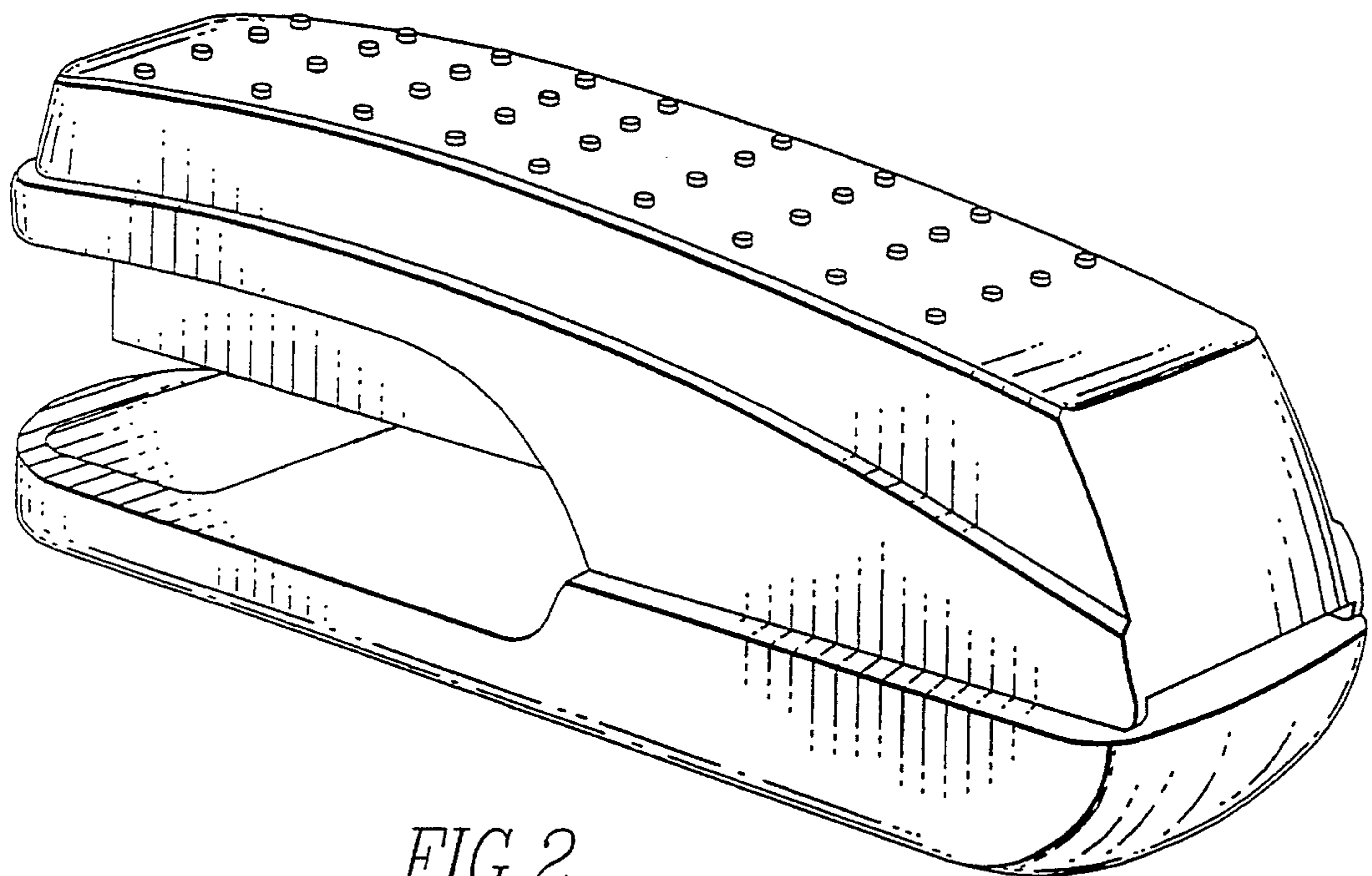


FIG.2

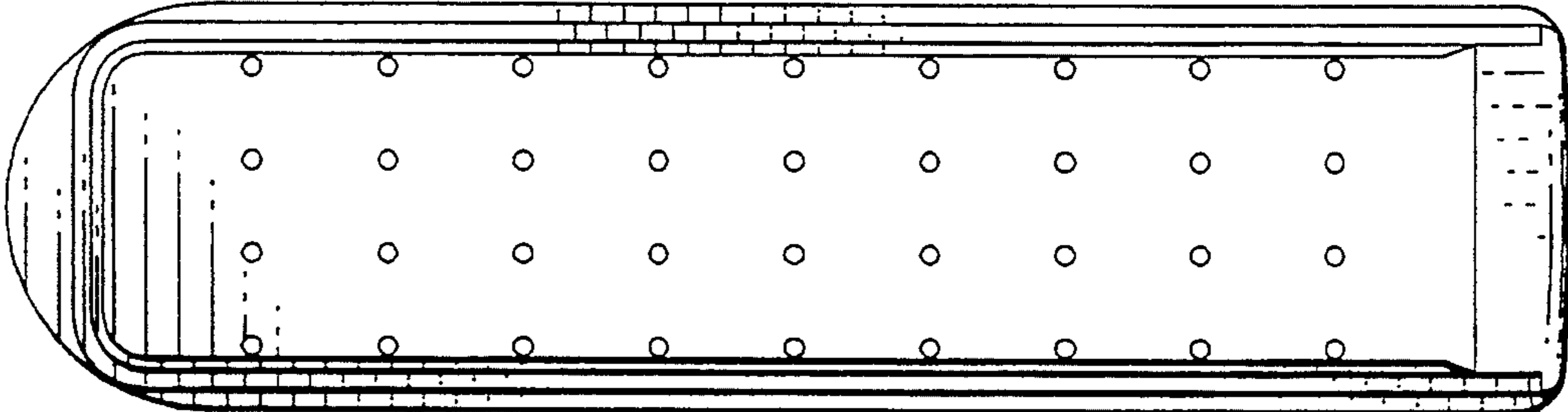


FIG. 3

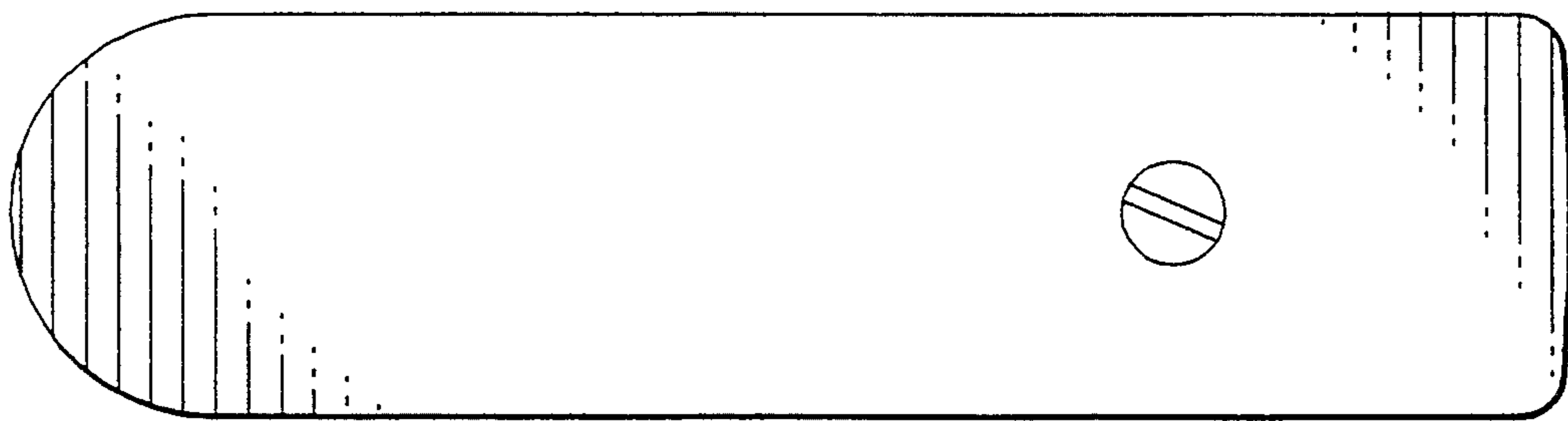


FIG. 4

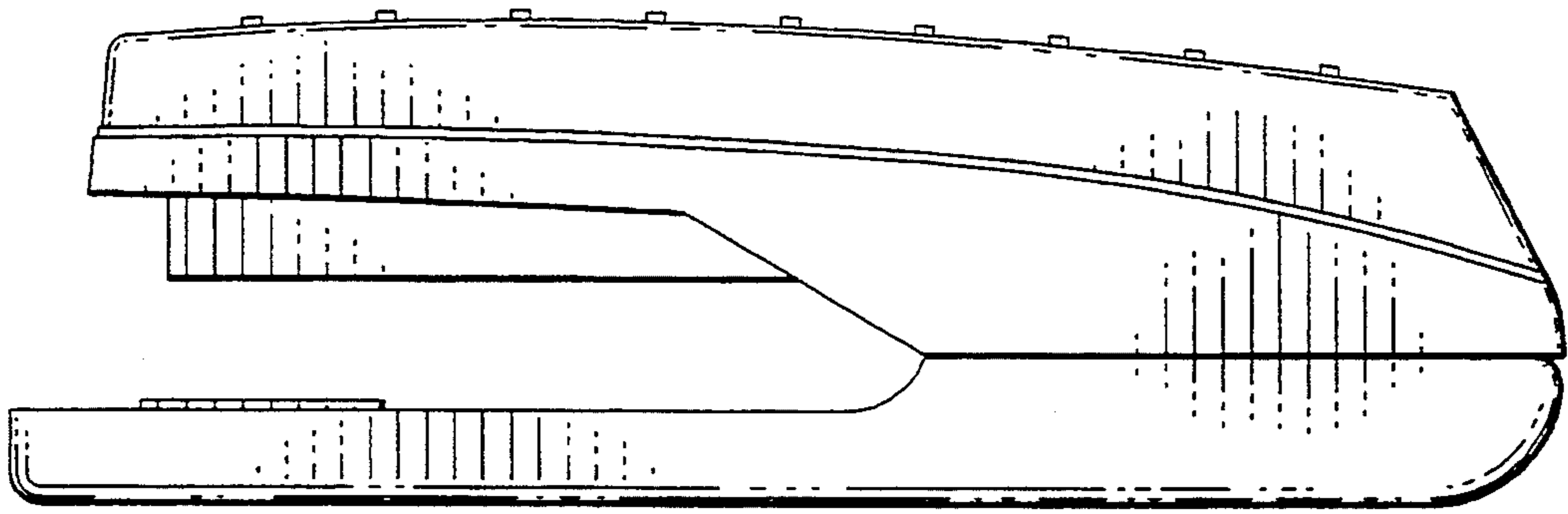


FIG. 5

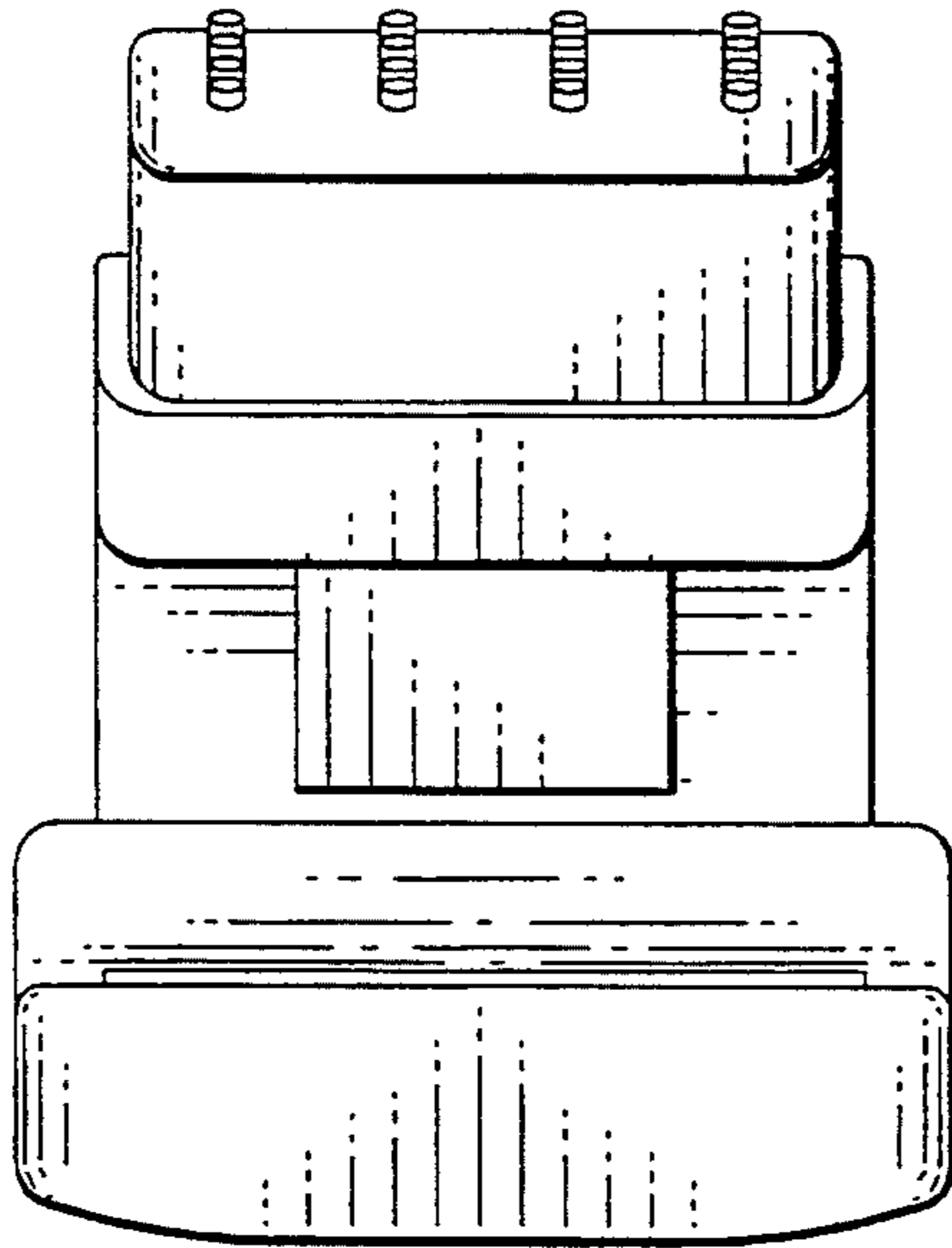


FIG. 6

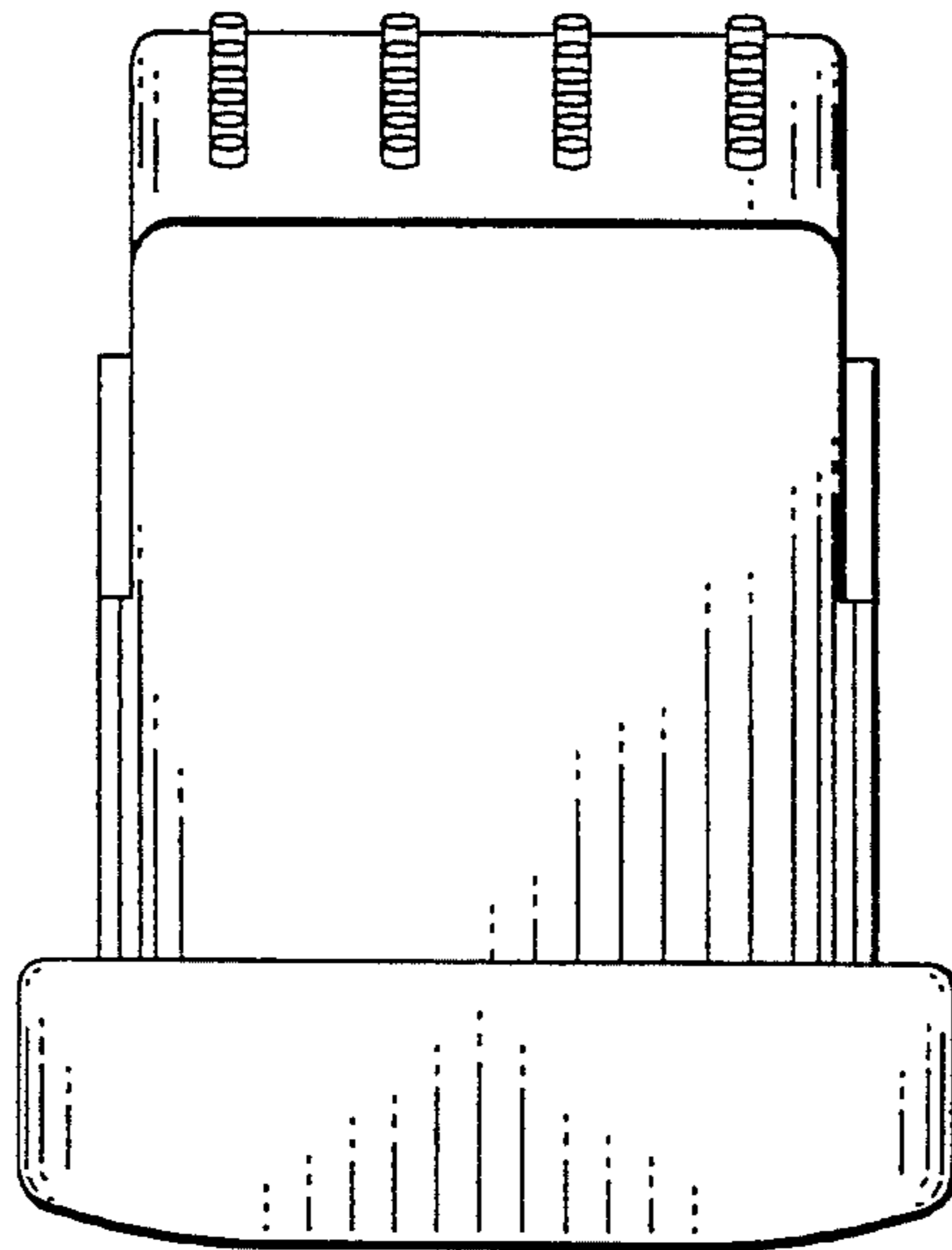


FIG. 7