



US00D350677S

United States Patent [19]

[11] Patent Number: **Des. 350,677**

Khan et al.

[45] Date of Patent: **** Sep. 20, 1994**

[54] **STAPLING MACHINE**

[75] Inventors: **Zahed Khan**, Cardiff, Wales; **Paul Jones**, Mid-Glamorgan, Great Britain

[73] Assignee: **Ofrex Group Holdings PLC**, Middlesex, Great Britain

[**] Term: **14 Years**

[21] Appl. No.: **839,236**

[22] Filed: **Feb. 21, 1992**

[30] **Foreign Application Priority Data**

Aug. 23, 1991 [GB] United Kingdom 2016930

[52] U.S. Cl. **D8/50**

[58] Field of Search D8/49, 50; 227/127, 227/128, 134, 155

[56] **References Cited**

U.S. PATENT DOCUMENTS

D. 186,201 9/1959 Rosengren D8/50

D. 295,015 4/1988 Ebihara D8/50

D. 301,677 6/1989 Rosenblad D8/50

D. 302,781 8/1989 Ebihara D8/50

D. 331,001 11/1992 Huang D8/50

2,399,761 5/1946 Ruskin 227/128

4,778,096 10/1988 Ebihara 227/155

Primary Examiner—Bernard Ansher

Assistant Examiner—R. Barkai

Attorney, Agent, or Firm—Kirkpatrick & Lockhart

[57] **CLAIM**

The ornamental design for stapling machine, as shown and described.

DESCRIPTION

FIG. 1 is a right side perspective view of the stapling machine according to the present design;

FIG. 2 is a left side perspective view;

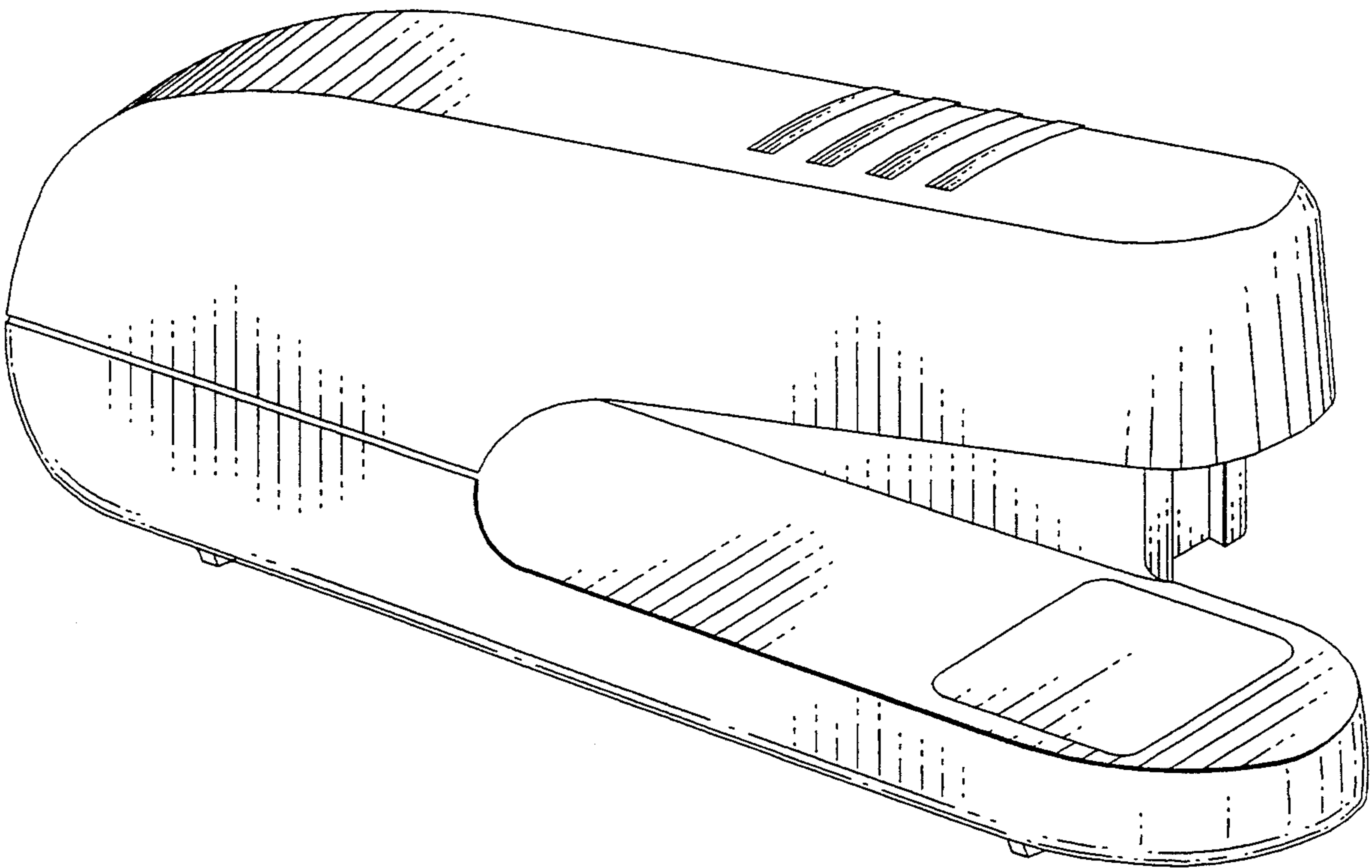
FIG. 3 is a top plan view;

FIG. 4 is a bottom plan view;

FIG. 5 is left side elevation view, the right side being a mirror image thereof;

FIG. 6 is a front elevation view; and,

FIG. 7 is a rear elevation view.



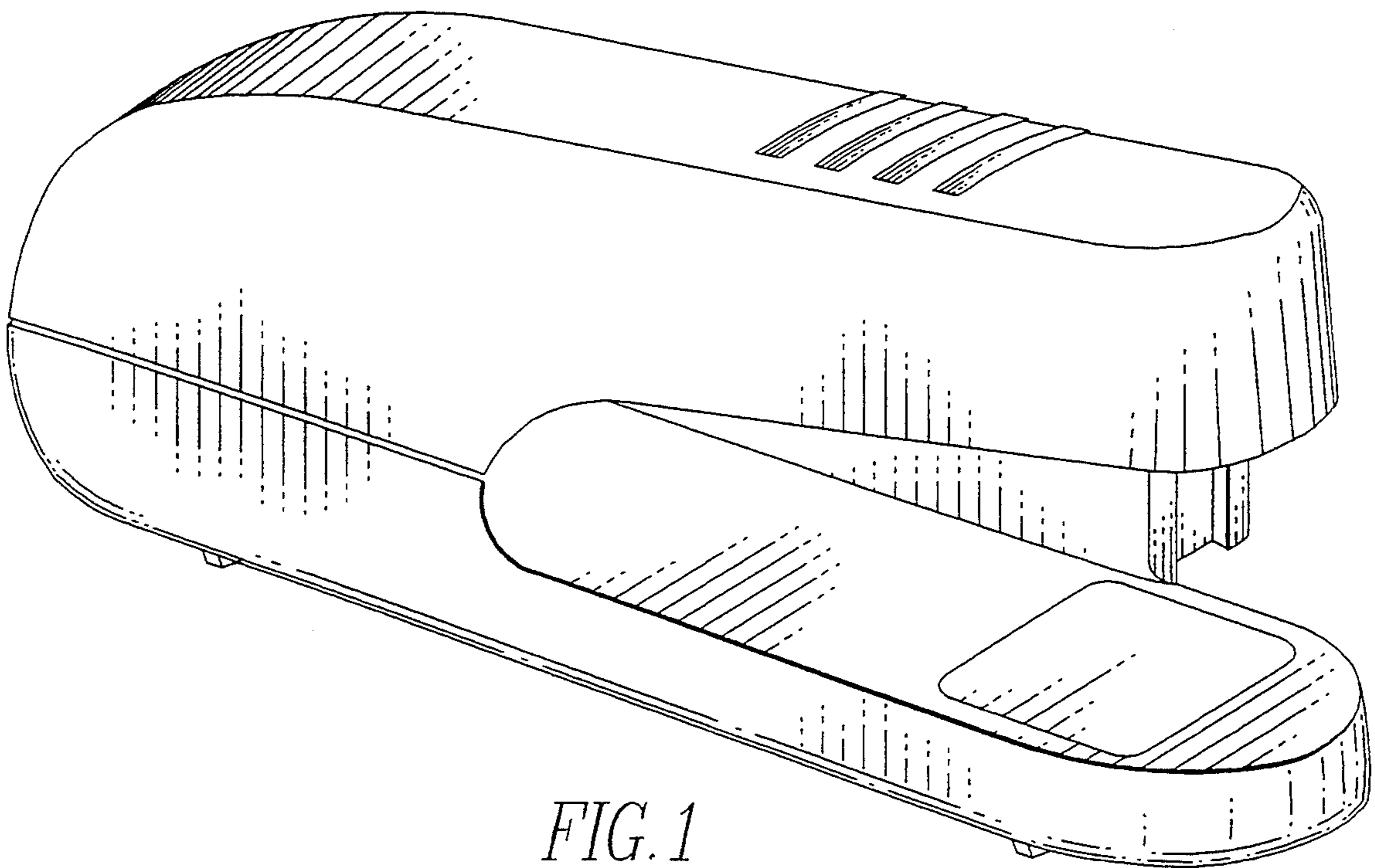


FIG. 1

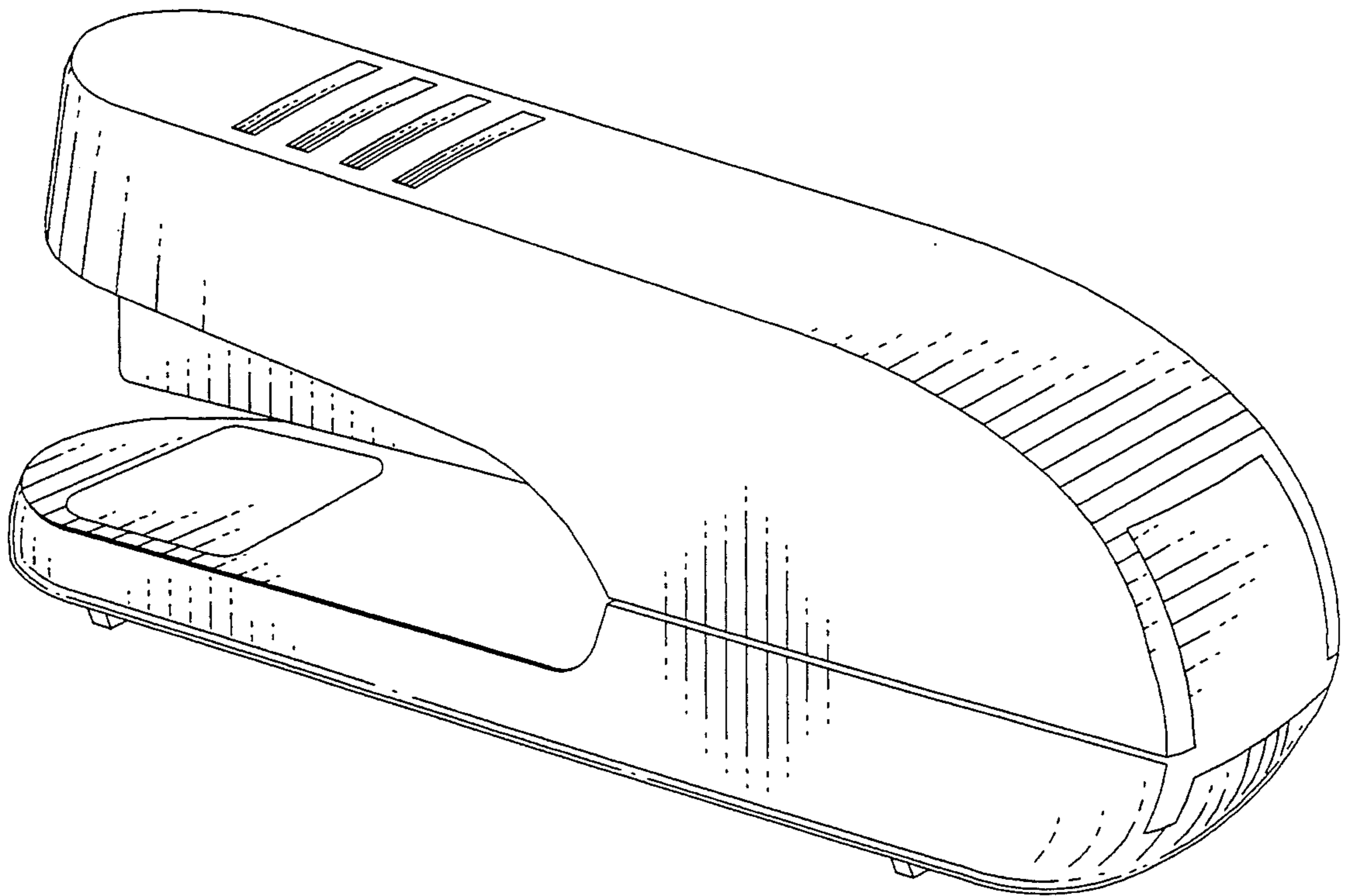


FIG. 2

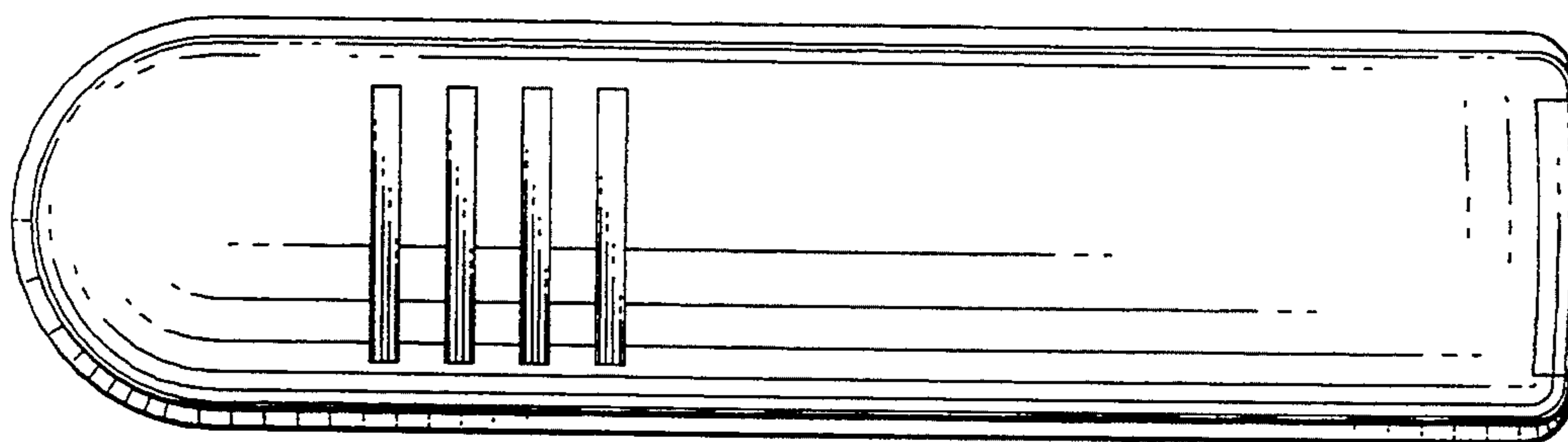


FIG. 3

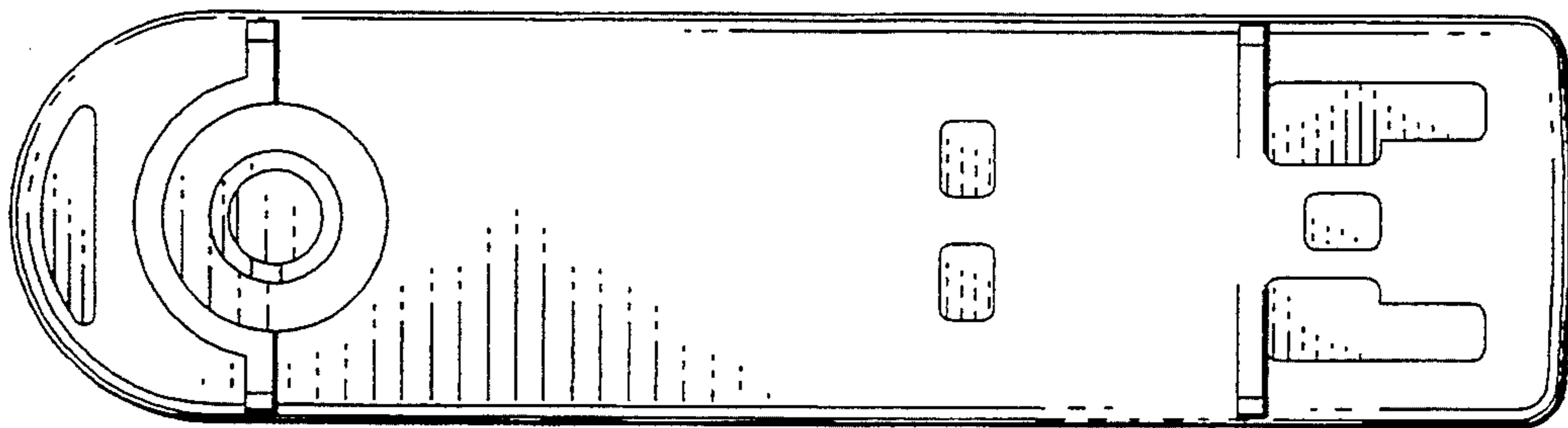


FIG. 4

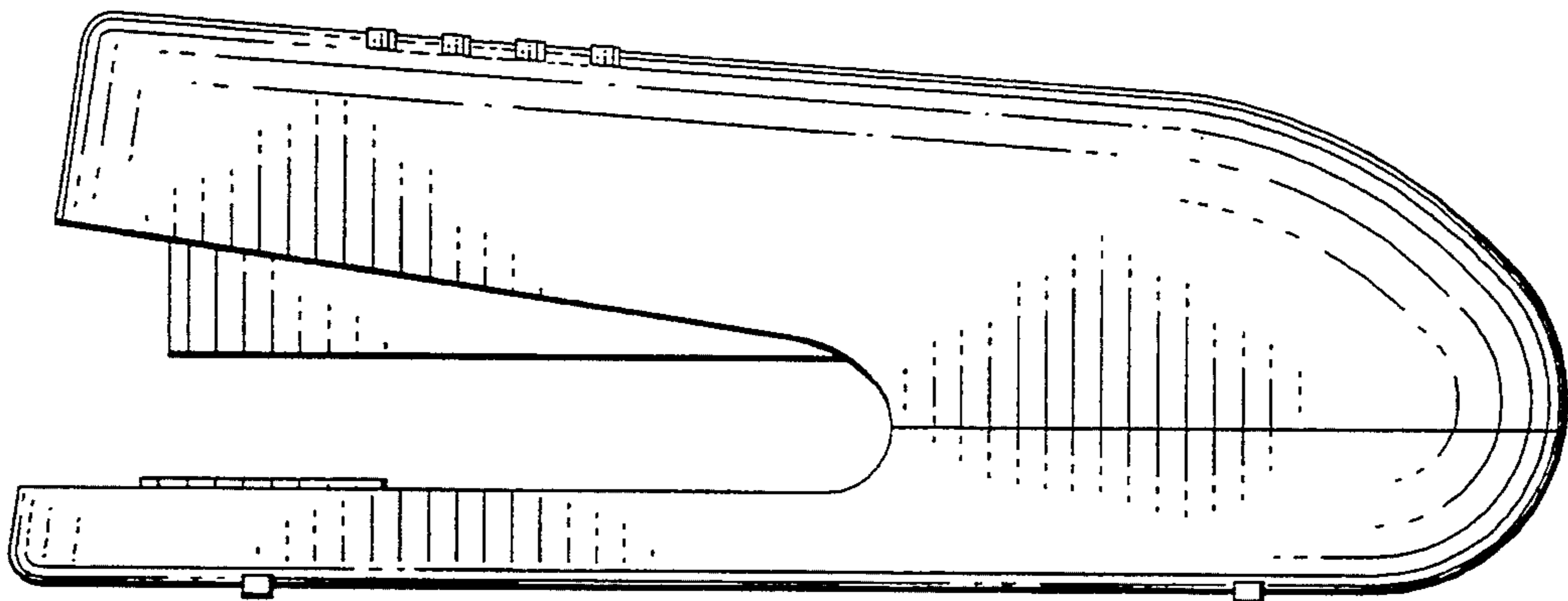


FIG. 5

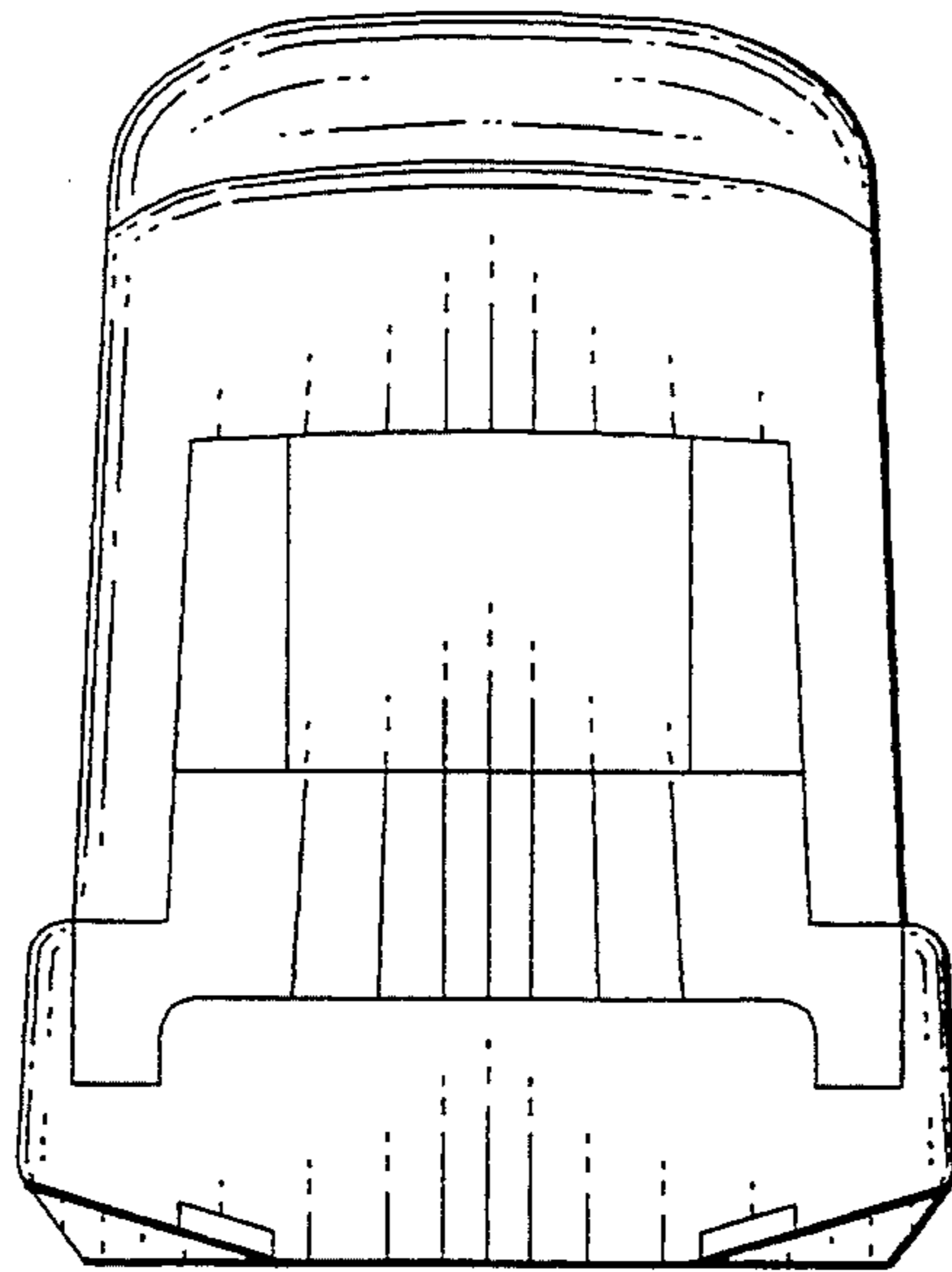


FIG. 6

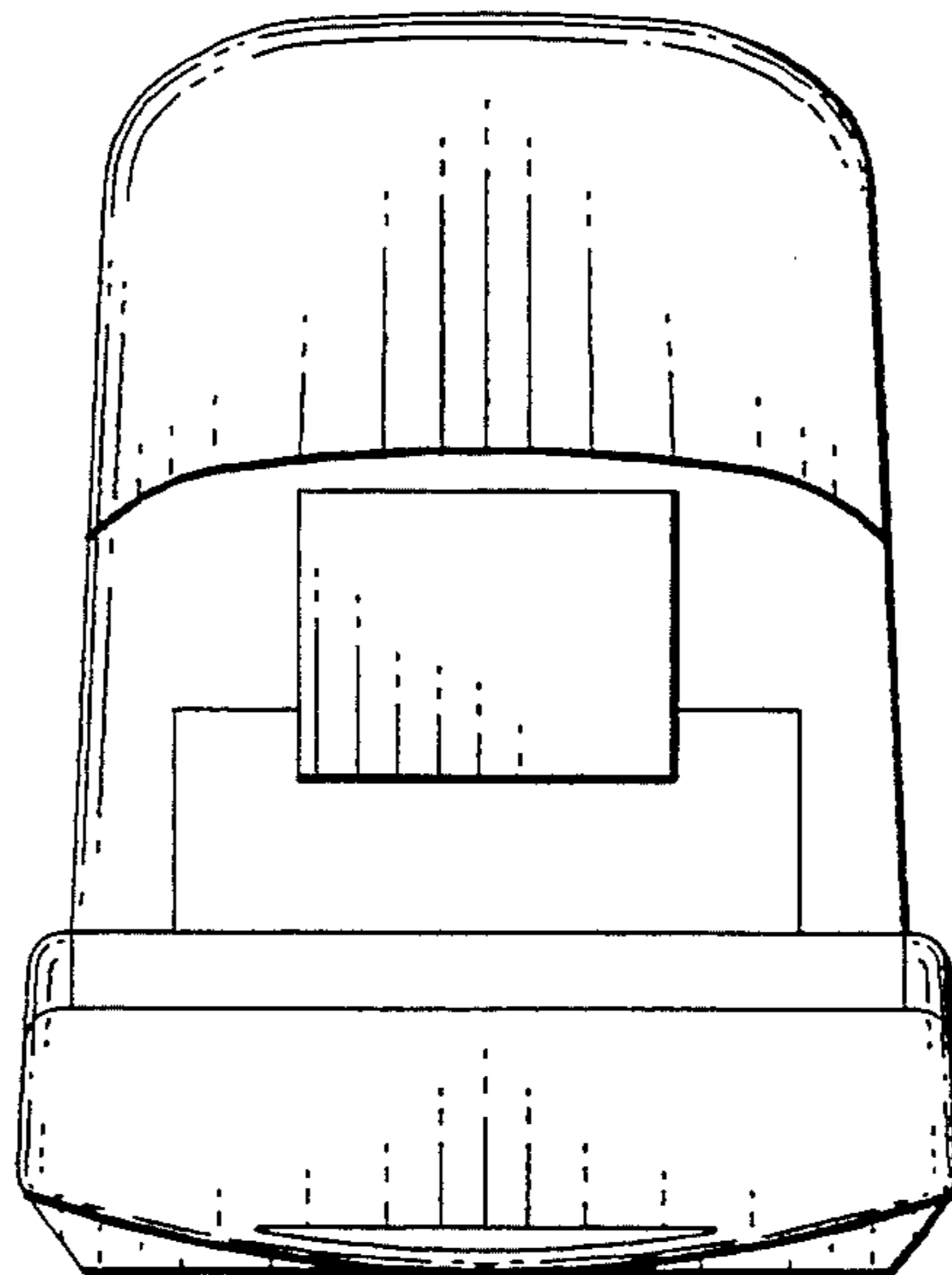


FIG. 7