



US00D350675S

United States Patent [19] Salisbury

[11] Patent Number: **Des. 350,675**

[45] Date of Patent: **** Sep. 20, 1994**

[54] **PORTABLE SOIL SIFTER**

[76] Inventor: **Paul E. Salisbury**, 22 16th St., Bangor, Me. 04401

[**] Term: **14 Years**

[21] Appl. No.: **4,811**

[22] Filed: **Feb. 16, 1993**

[52] U.S. Cl. **D8/1**

[58] Field of Search D8/1; D7/667; 209/13, 209/419

[56] **References Cited**

U.S. PATENT DOCUMENTS

D. 328,016	7/1992	Valerio	D8/10
333,322	12/1885	Monell	209/13
2,773,594	12/1956	Tyer	209/13
2,822,922	2/1958	Trundle	209/13
3,402,896	9/1968	Daman	209/13 X

Primary Examiner—Wallace R. Burke
Assistant Examiner—Holly Baynham
Attorney, Agent, or Firm—Daniel H. Kane

[57] **CLAIM**

The ornamental design for a portable soil sifter, as shown and described.

DESCRIPTION

FIG. 1 is a perspective view of the right side, front end, and top of the portable soil sifter with the soil sifter screen removed, it being understood that the broken lines show the position of the soil sifter screen for illustrative purposes only and do not form part of the design;

FIG. 2 is a right side elevation view of the portable soil sifter with the soil sifter screen and soil sifter screen swing in the rear reciprocating position, the left side being substantially the same as shown;

FIG. 3 is a right side elevation view of the portable soil sifter showing the soil sifter screen and soil sifter screen swing in the forward reciprocating position, the left side being substantially the same as shown;

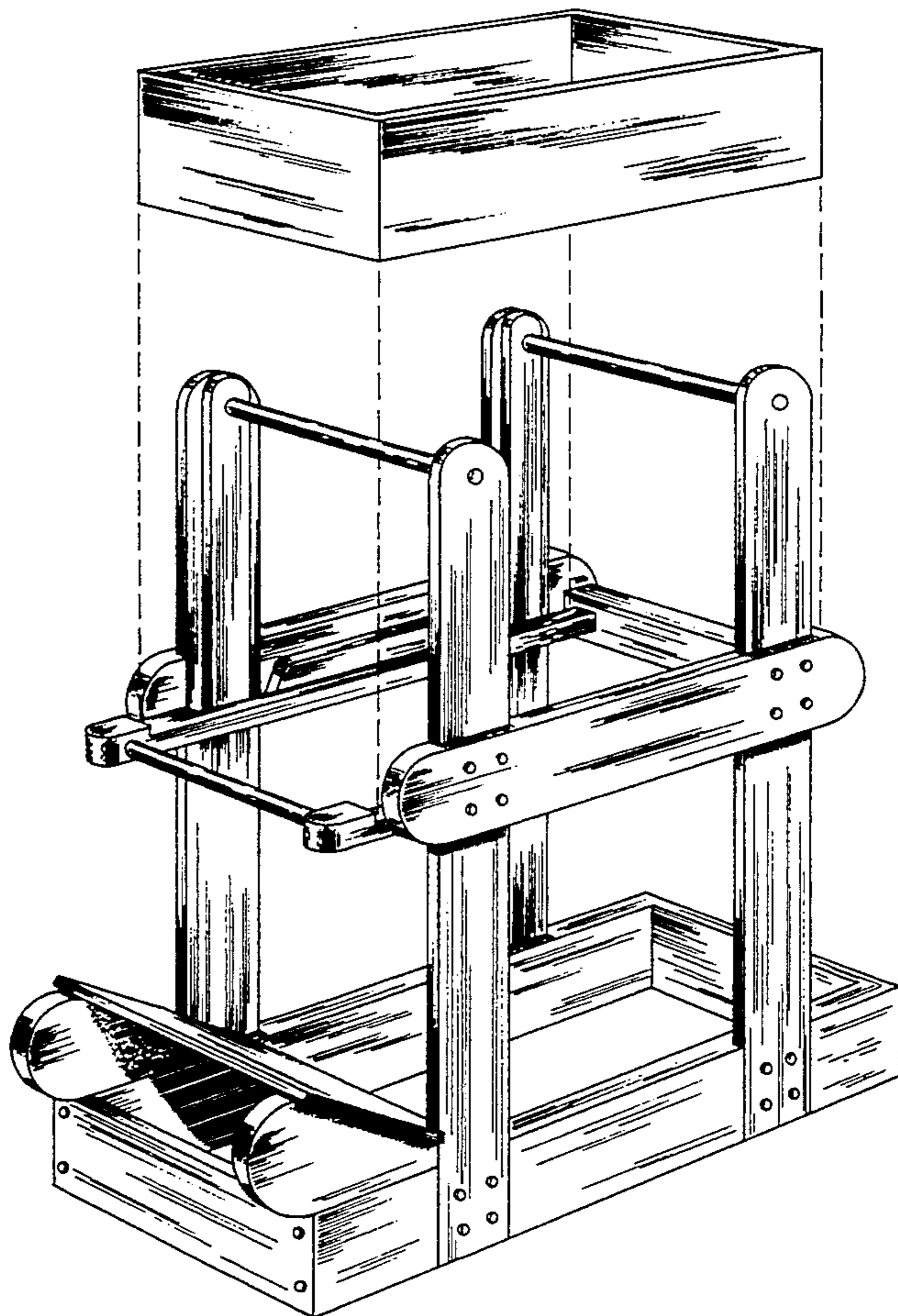
FIG. 4 is a front end elevation view of the portable soil sifter;

FIG. 5 is a rear end elevation view of the portable soil sifter;

FIG. 6 is a bottom plan view of the portable soil sifter with the soil sifter screen in place; and,

FIG. 7 is a top plan view of the portable soil sifter with the soil sifter screen removed.

The cross-hatched shading denoting conventional screen material in FIGS. 6 and 7 is understood to cover the entire surface.



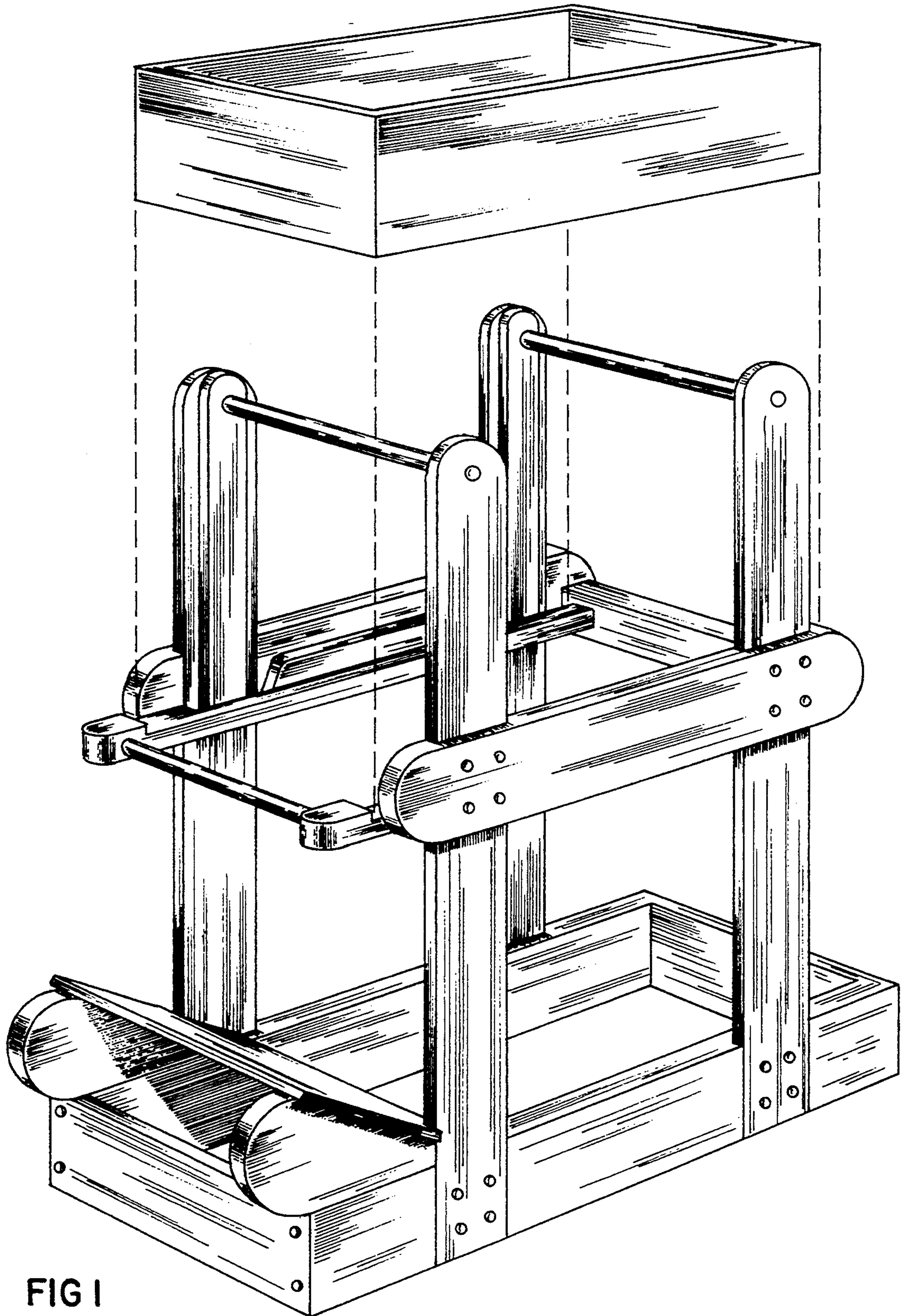


FIG 1

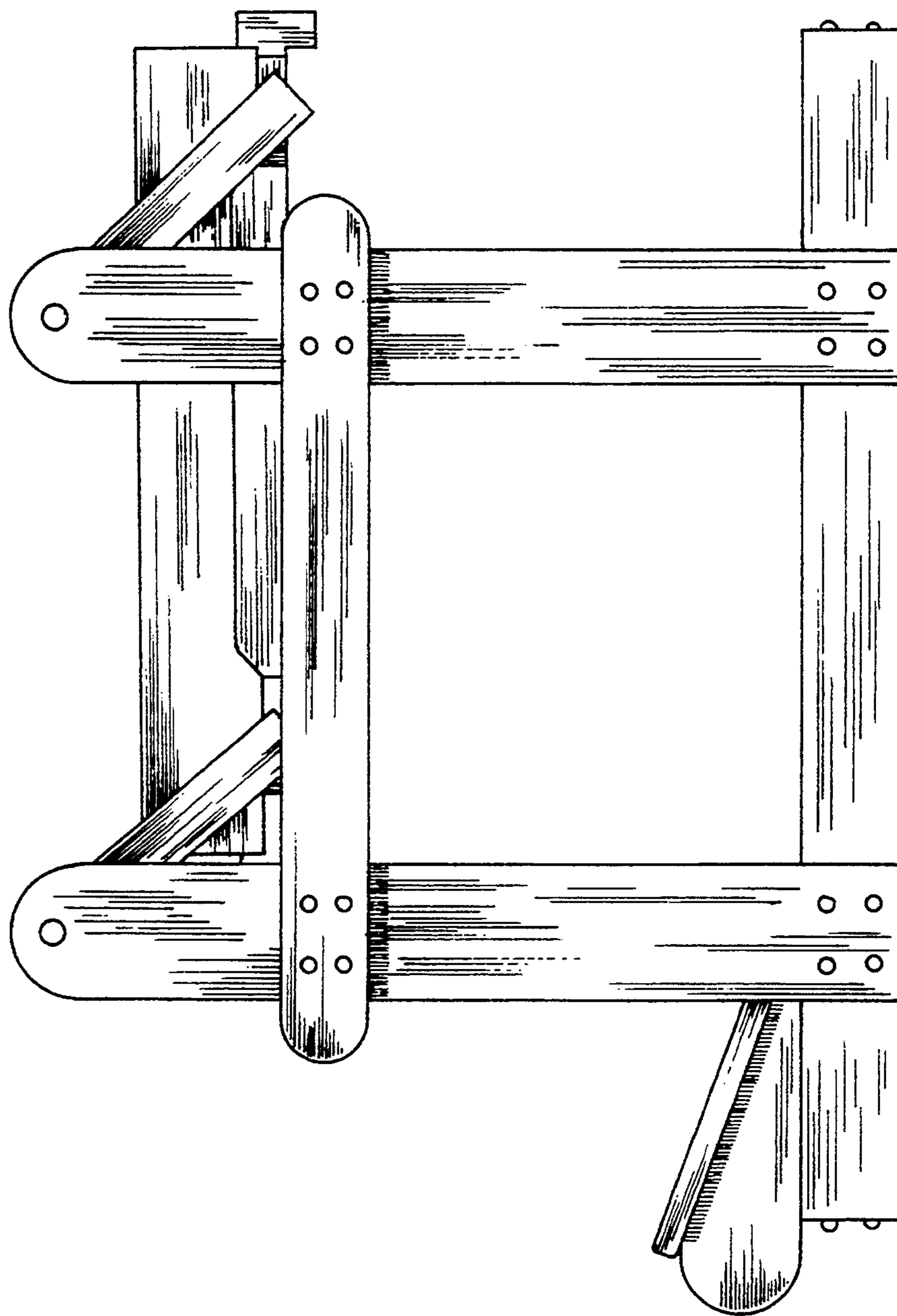


FIG 2

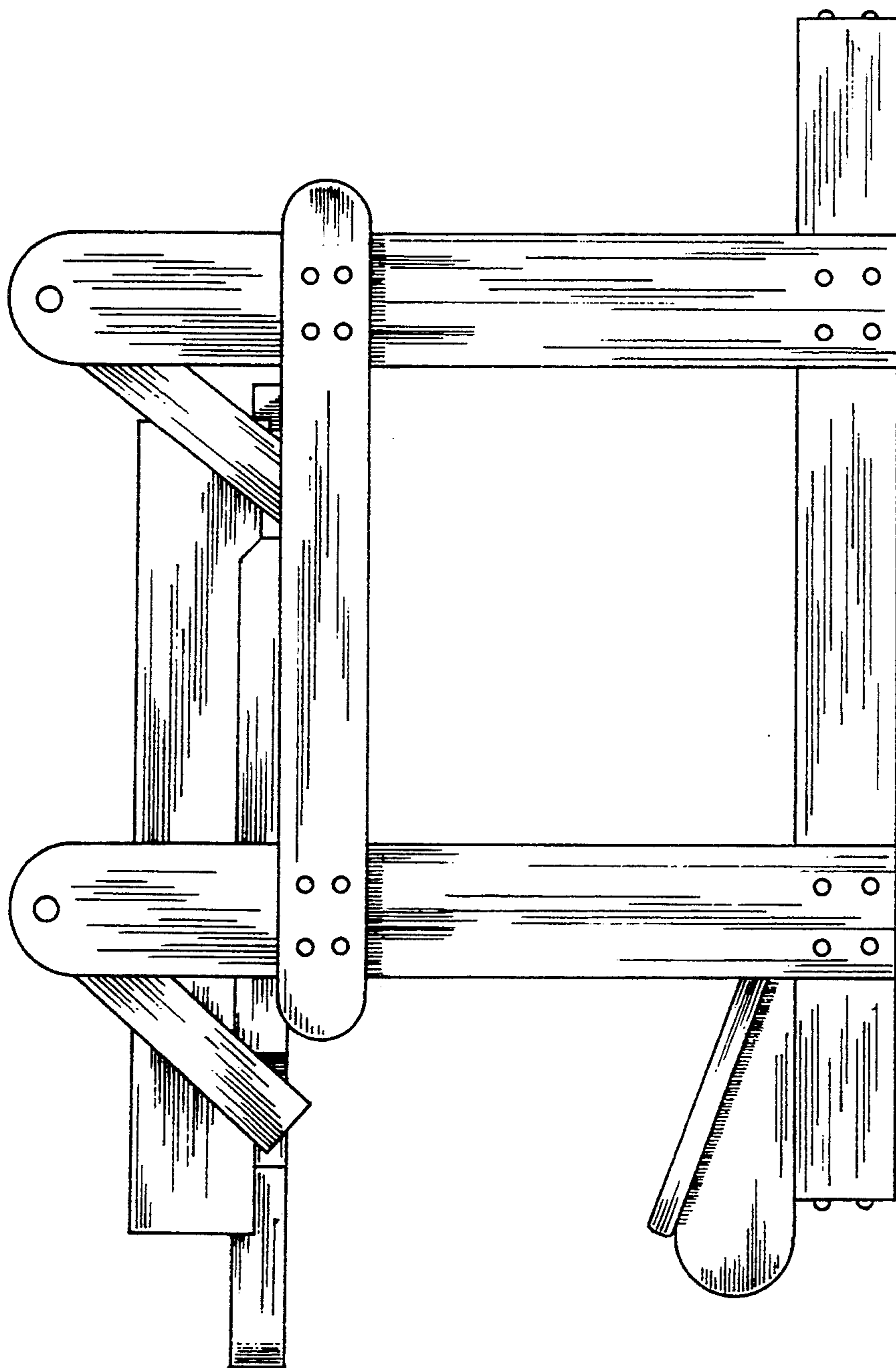


FIG 3

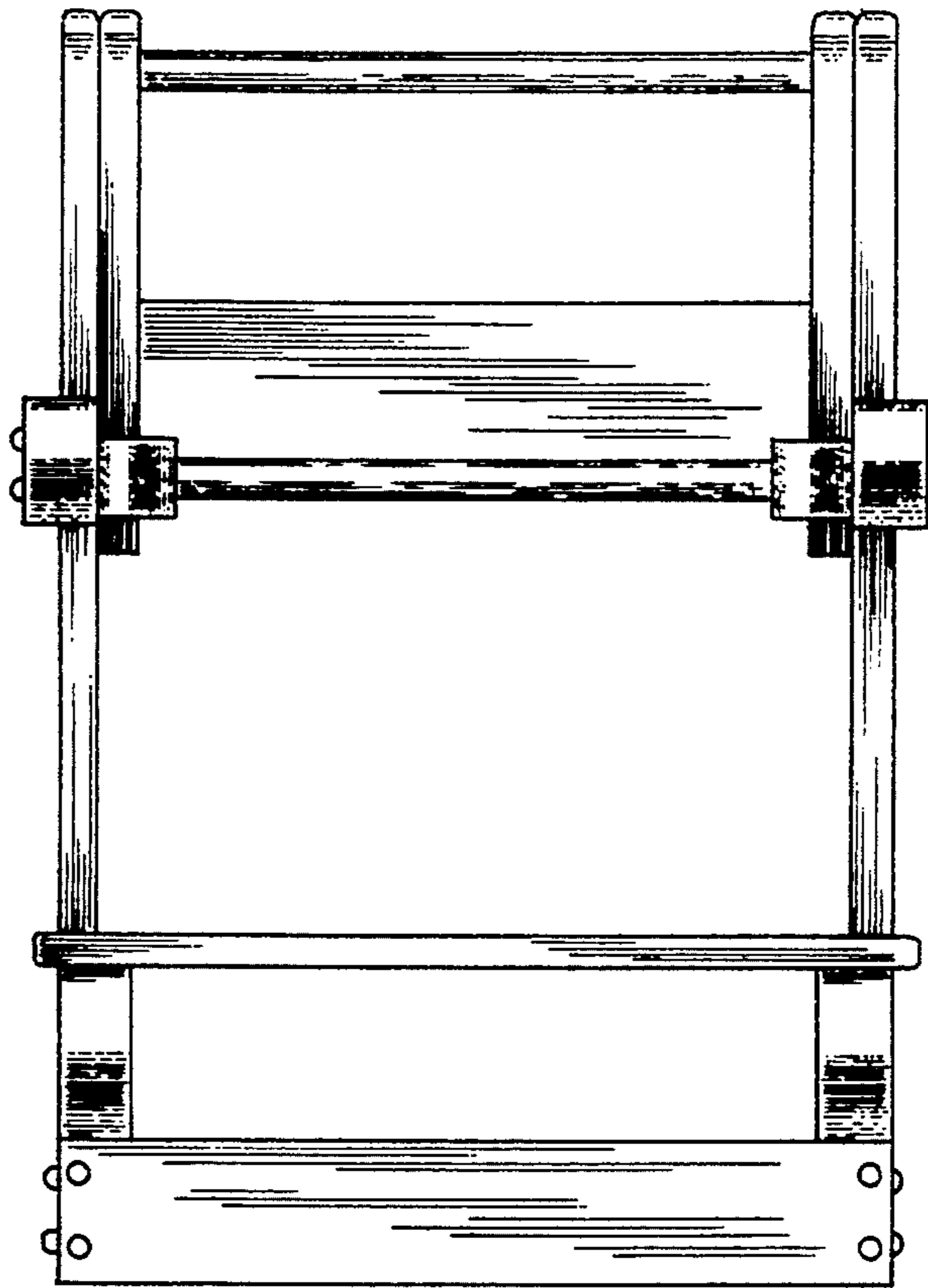


FIG 4

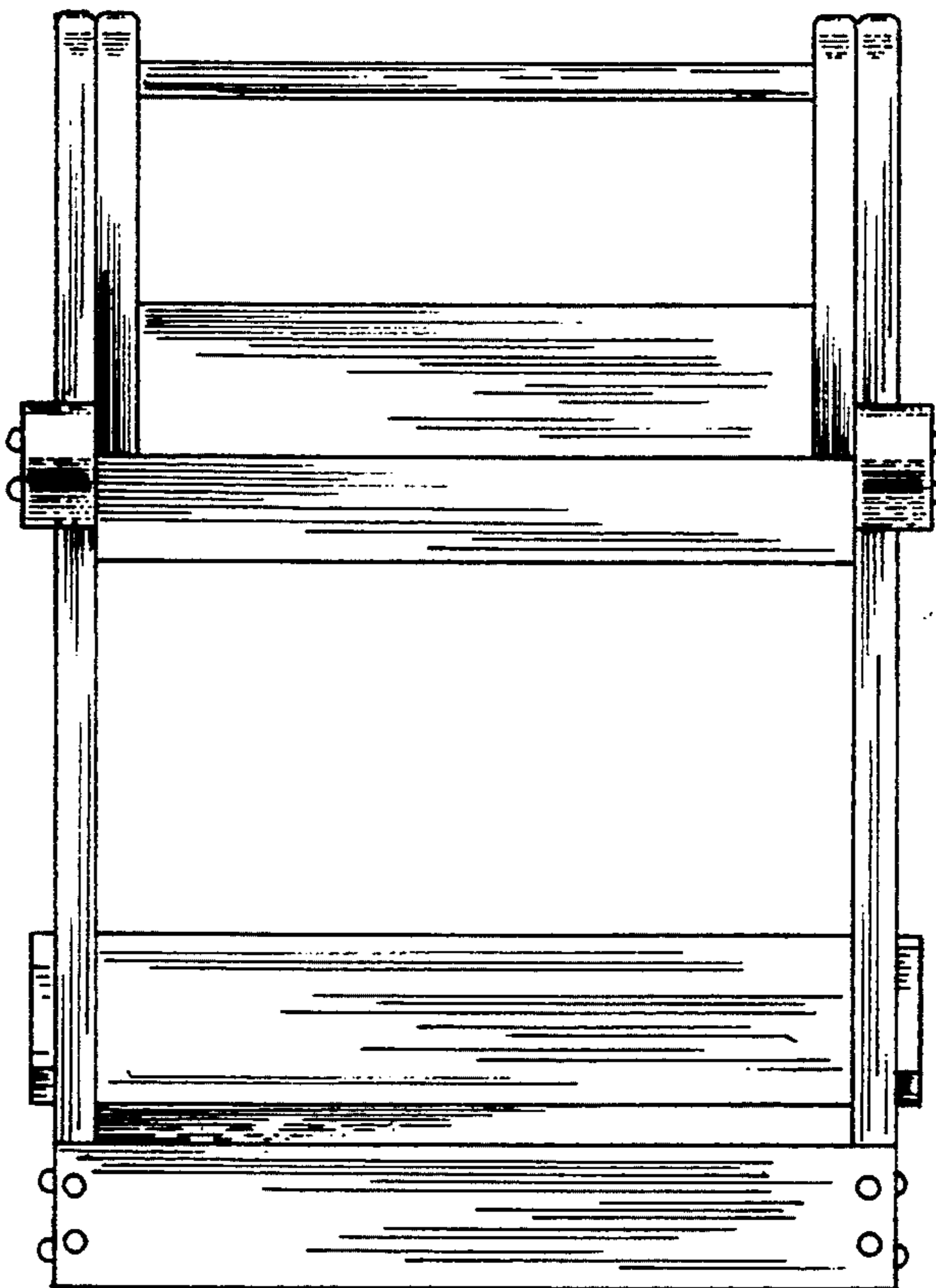


FIG 5

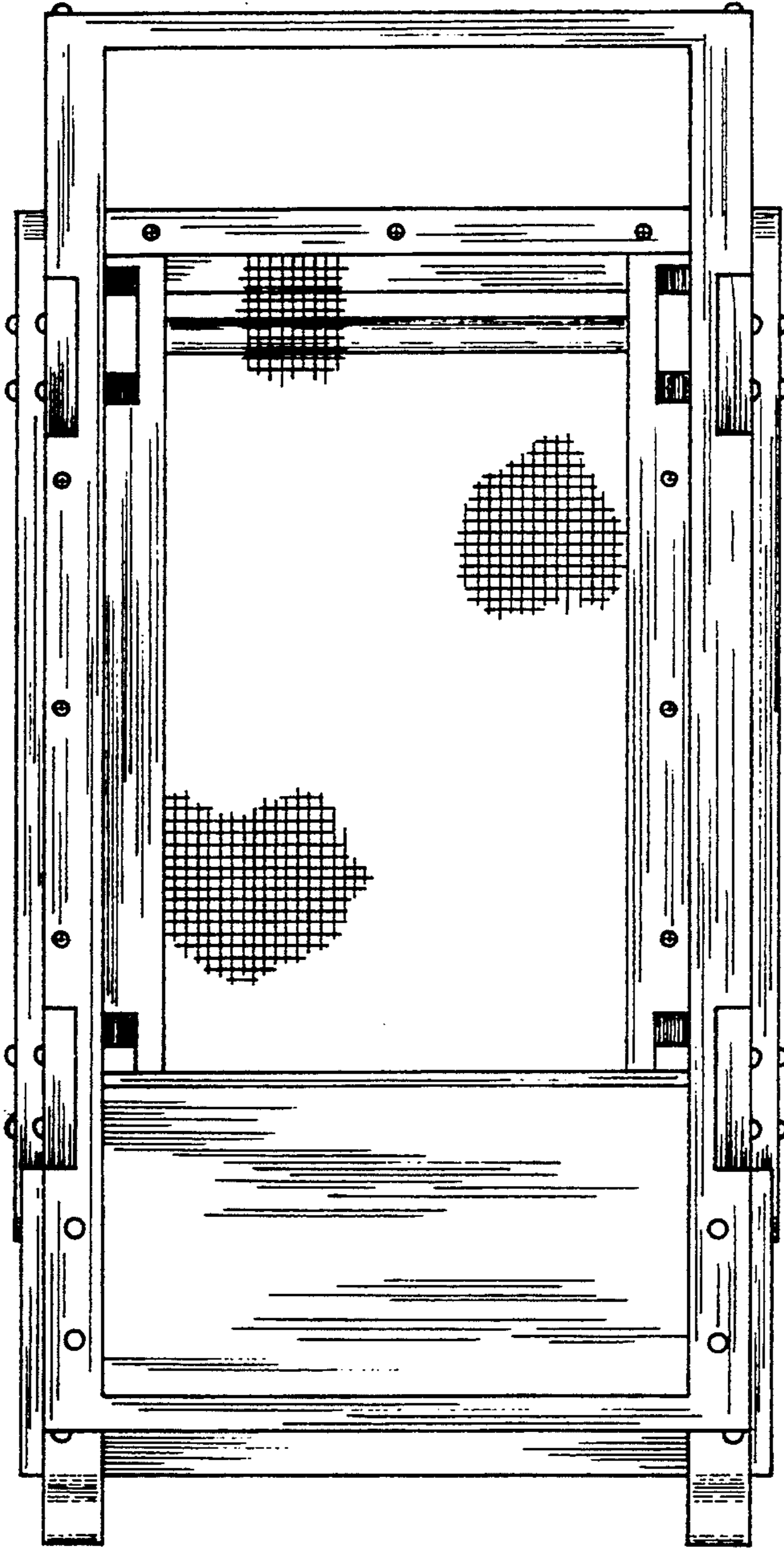


FIG 6

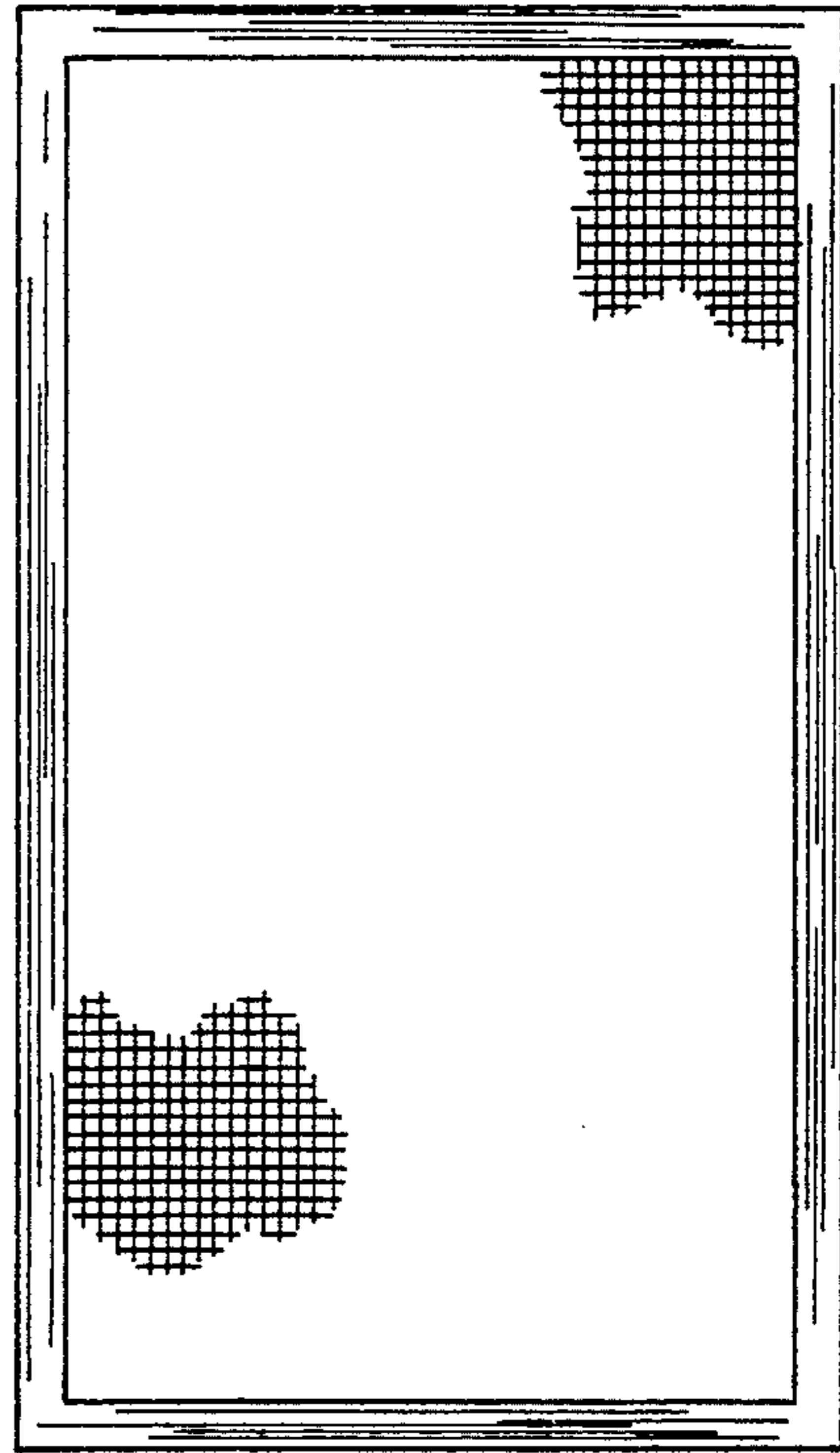
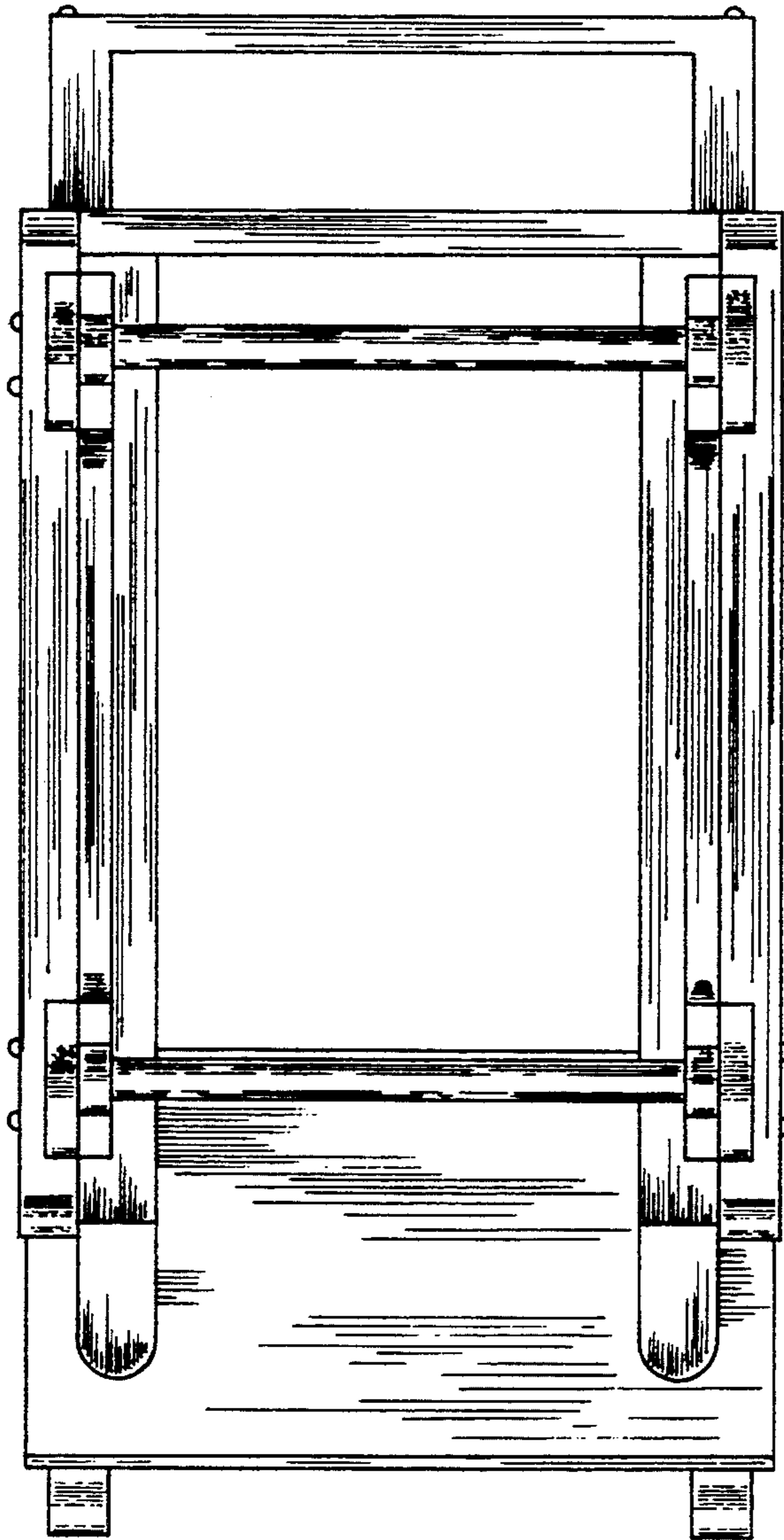


FIG 7