



US00D350664S

United States Patent [19] Vogels

[11] Patent Number: **Des. 350,664**

[45] Date of Patent: **** Sep. 20, 1994**

[54] **TV SUPPORT**

[75] Inventor: **Henricus H. Vogels**, Eindhoven, Netherlands

[73] Assignee: **Vogel's Holding B.V.**, Eindhoven, Netherlands

[**] Term: **14 Years**

[21] Appl. No.: **9,837**

[22] Filed: **Jun. 22, 1993**

[30] **Foreign Application Priority Data**

Dec. 23, 1992 [XH] Hague DMA/002020
[52] U.S. Cl. **D6/513**
[58] Field of Search D6/512-514,
D6/567, 574; D8/363, 373, 380; 248/637, 670,
317, 323-324, 310; 211/86, 113

[56] **References Cited**

U.S. PATENT DOCUMENTS

D. 309,562	7/1990	Boscacci et al.	D8/373
D. 314,483	2/1991	Zimprich et al.	D6/513
D. 337,719	7/1993	Burns	D6/567 X
4,659,047	4/1987	Haller	248/310 X
4,942,989	7/1990	Miller	D8/373 X

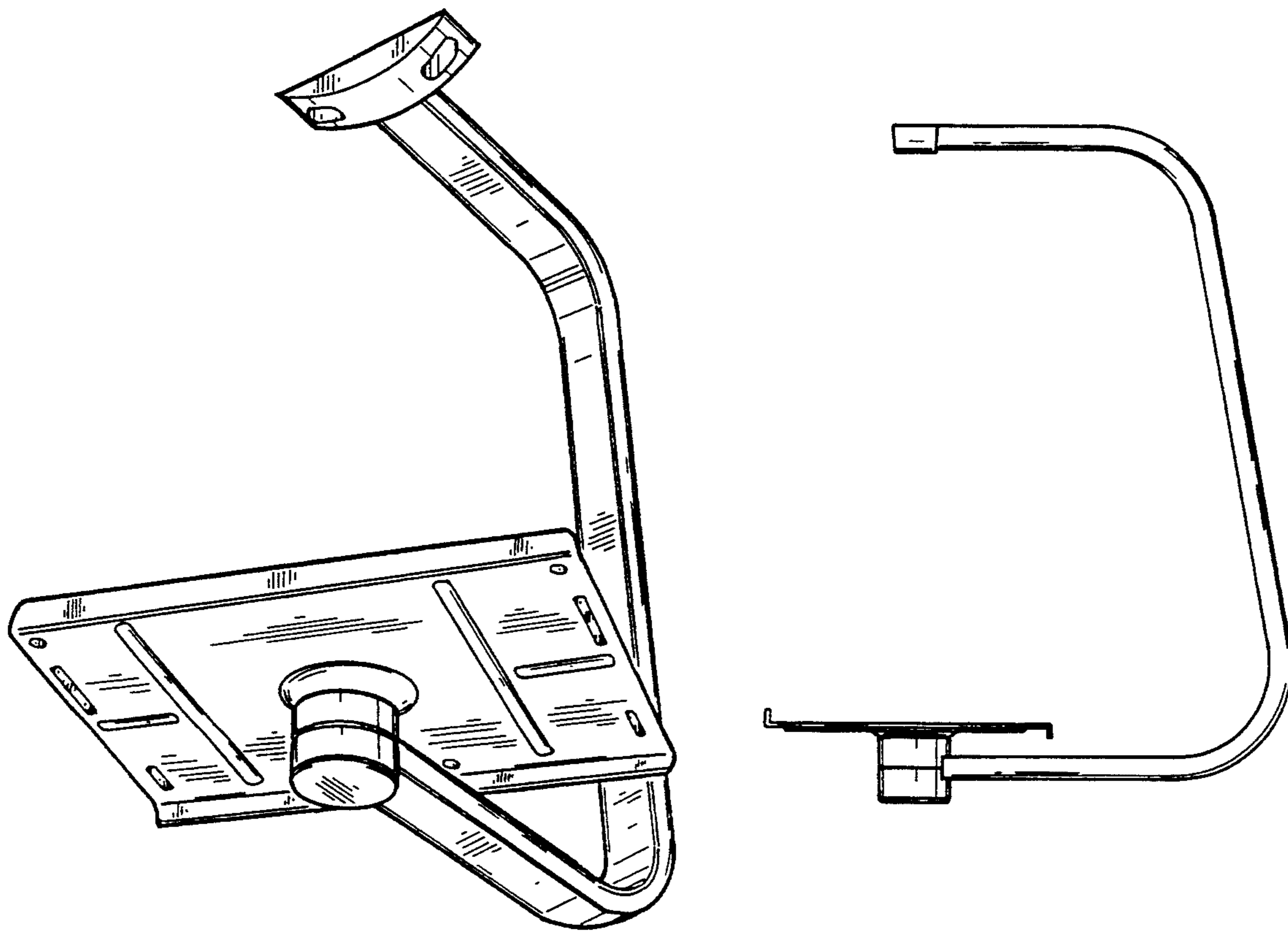
Primary Examiner—Brian N. Vinson
Attorney, Agent, or Firm—Ladas & Parry

[57] **CLAIM**

The ornamental design for a TV support, as shown.

DESCRIPTION

FIG. 1 is a perspective view of my design for a TV support;
FIG. 2 is a right side view thereof;
FIG. 3 is a left side view thereof;
FIG. 4 is a top side view thereof;
FIG. 5 is a bottom view thereof;
FIG. 6 is a back side view thereof; and,
FIG. 7 is a front view thereof.



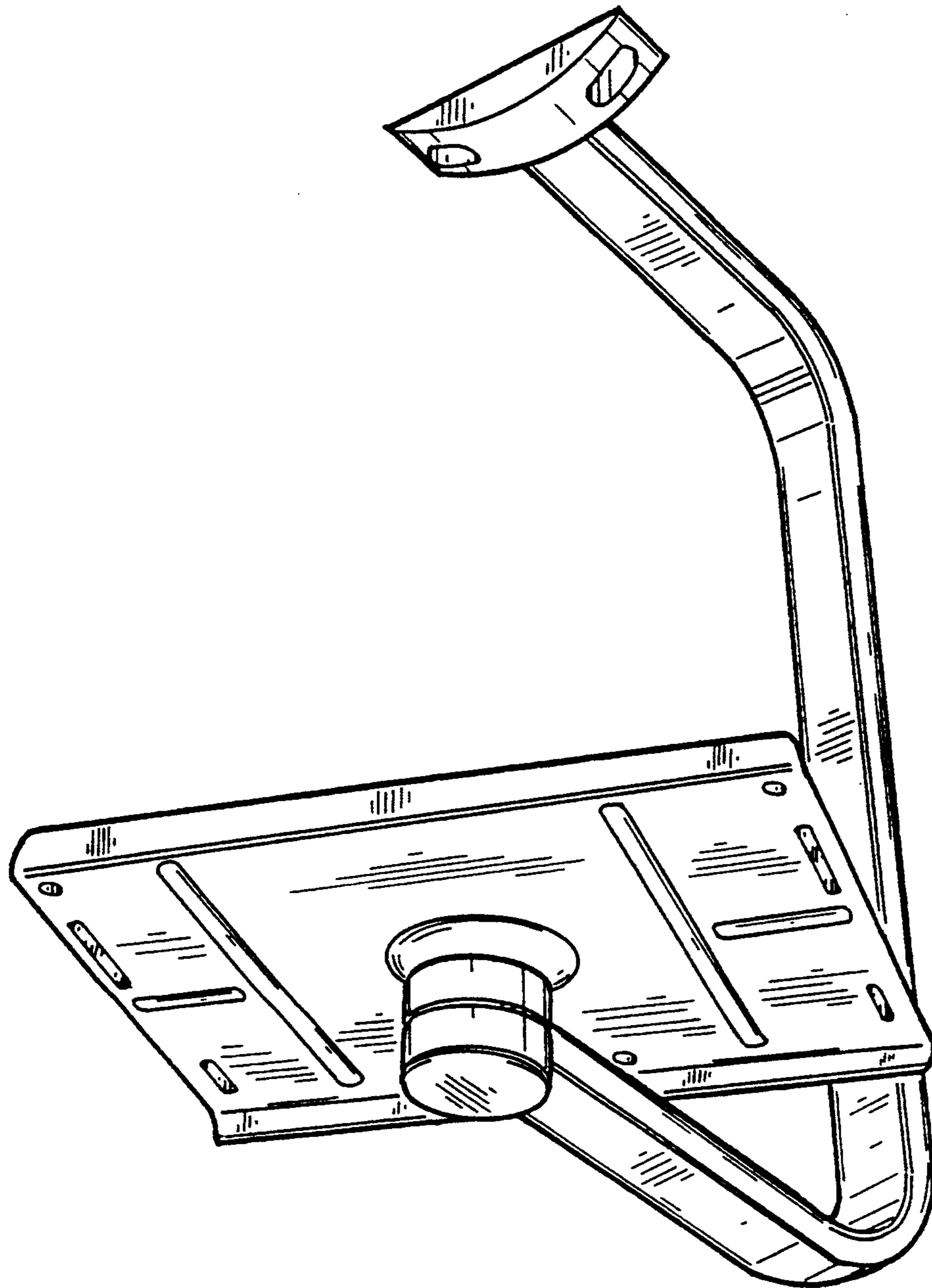


FIG. 1

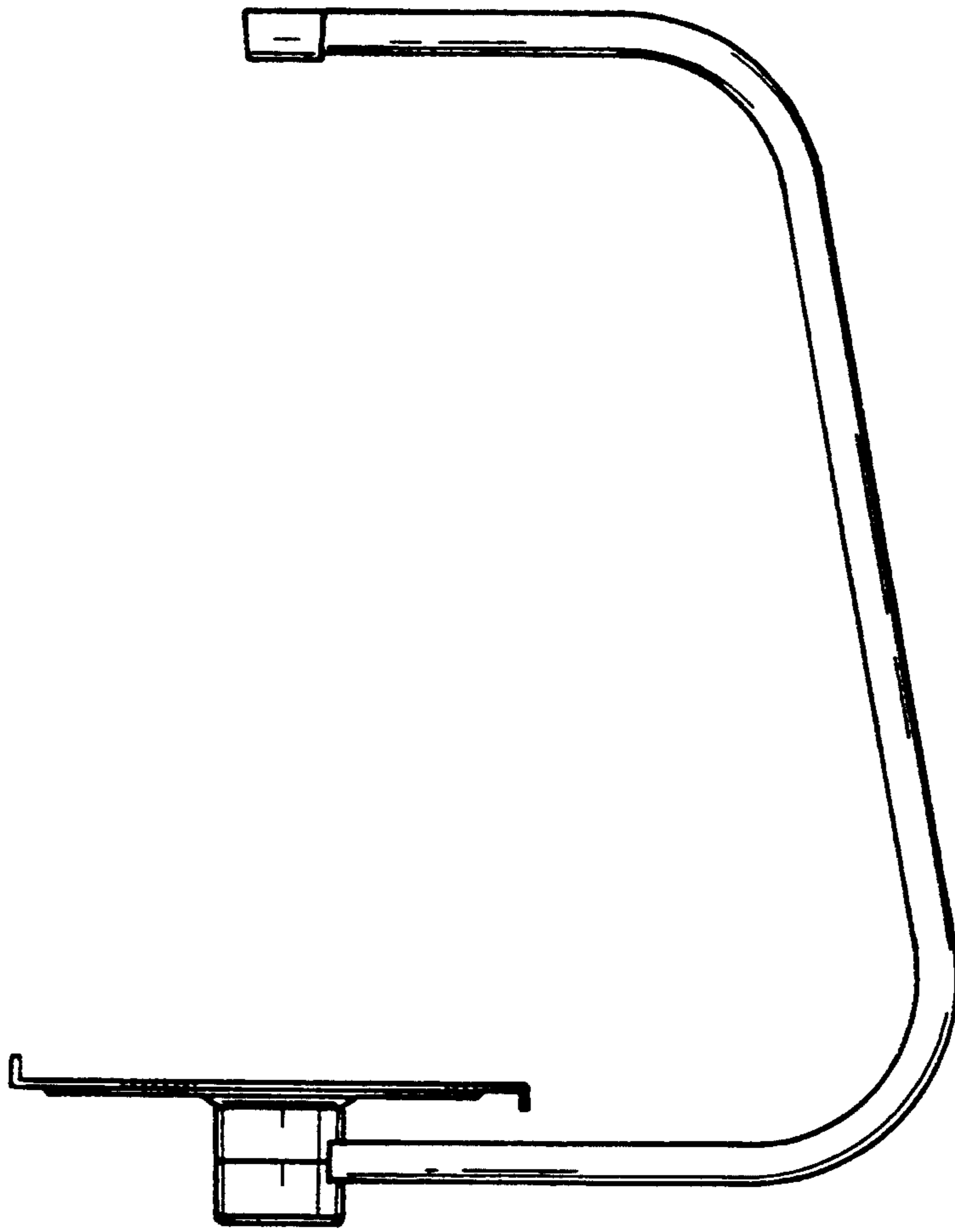


FIG.2

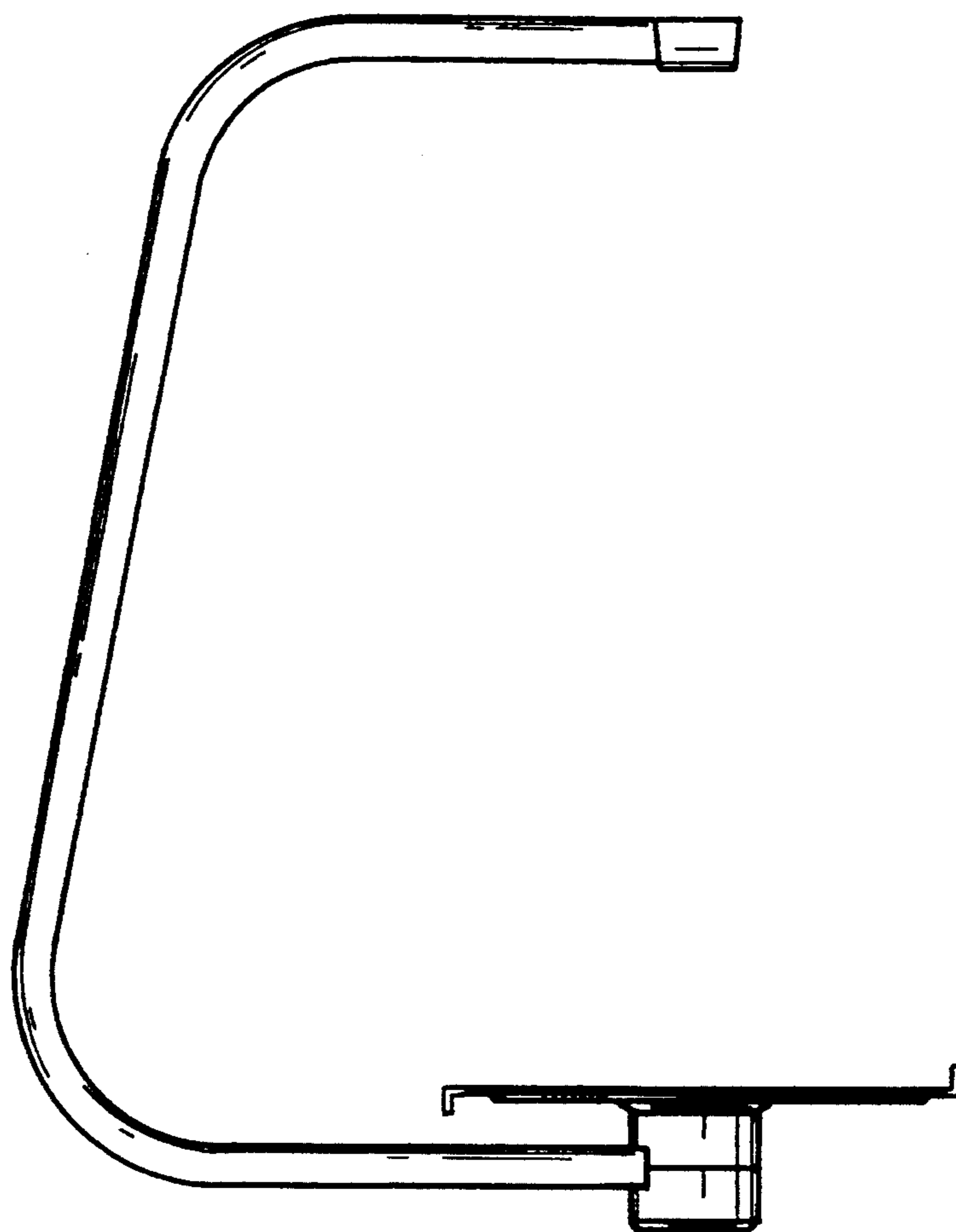


FIG.3

FIG.4

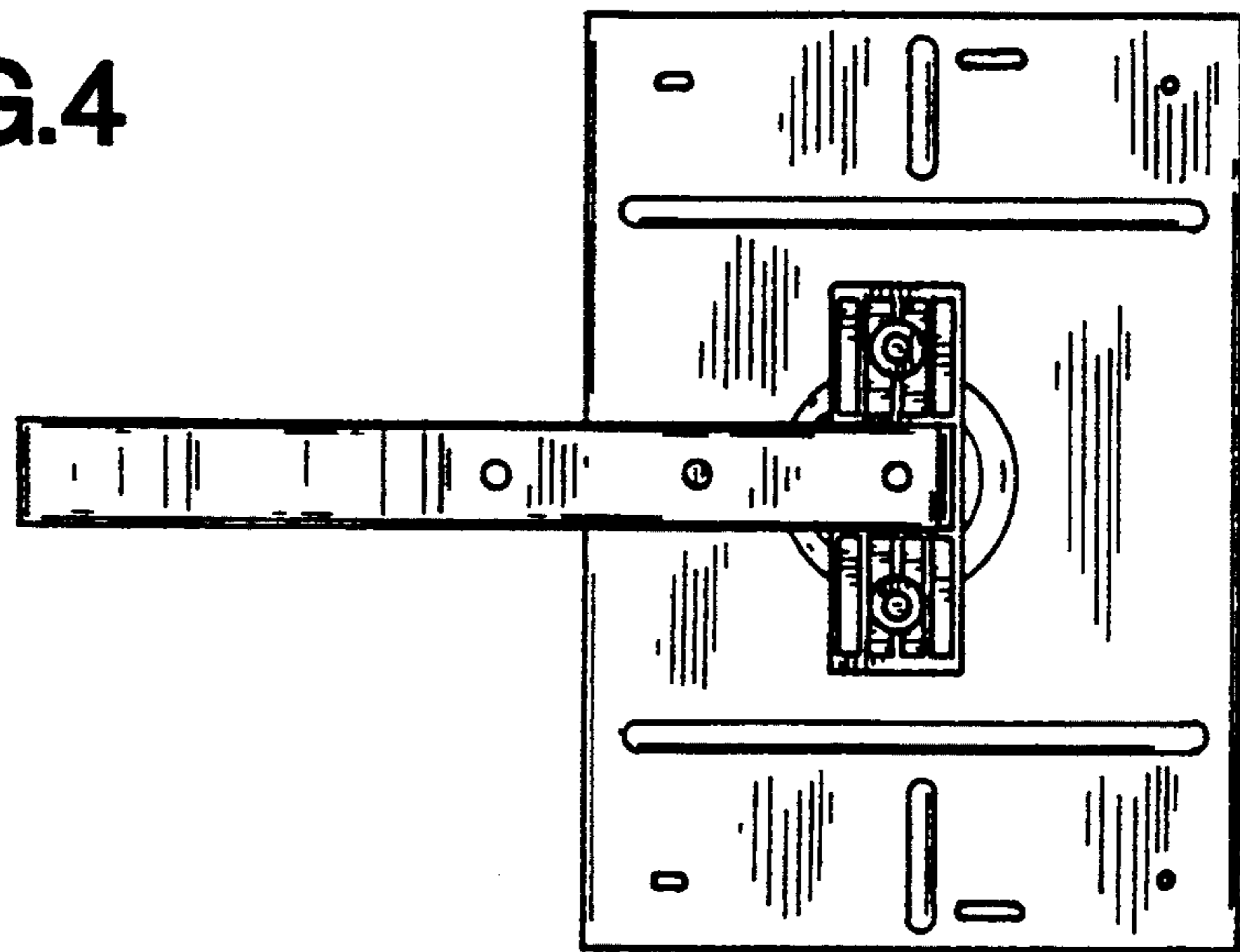
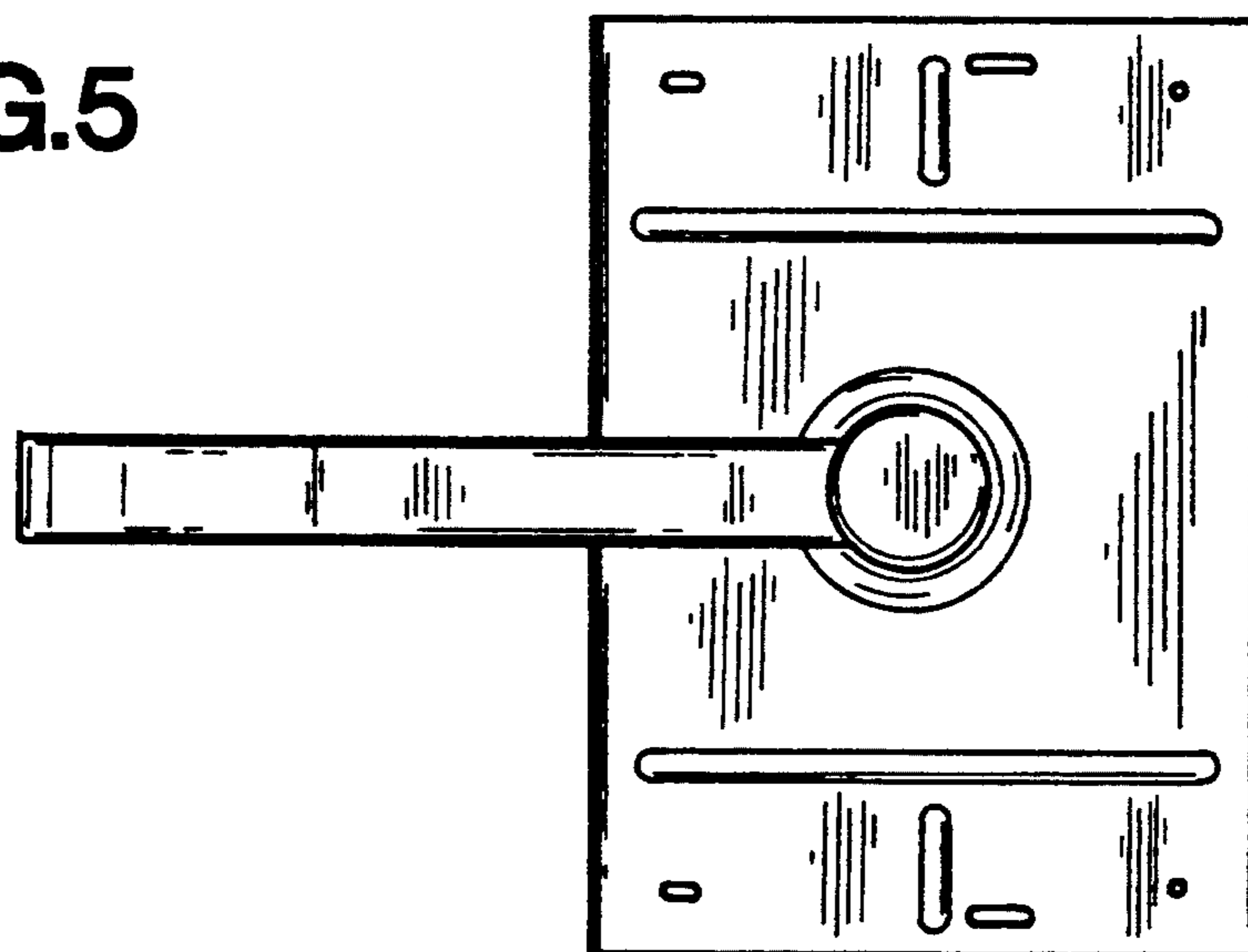


FIG.5



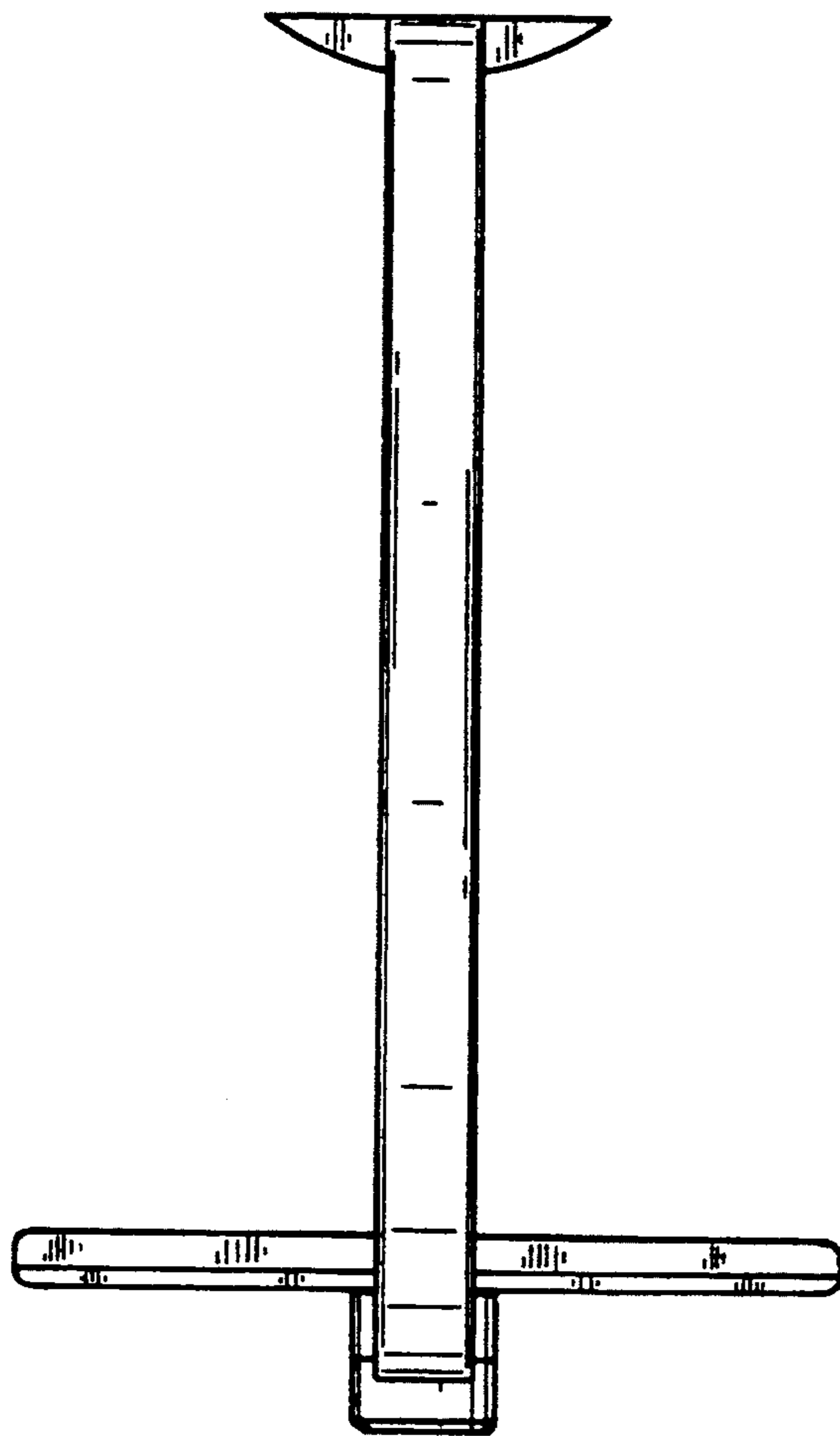


FIG.6

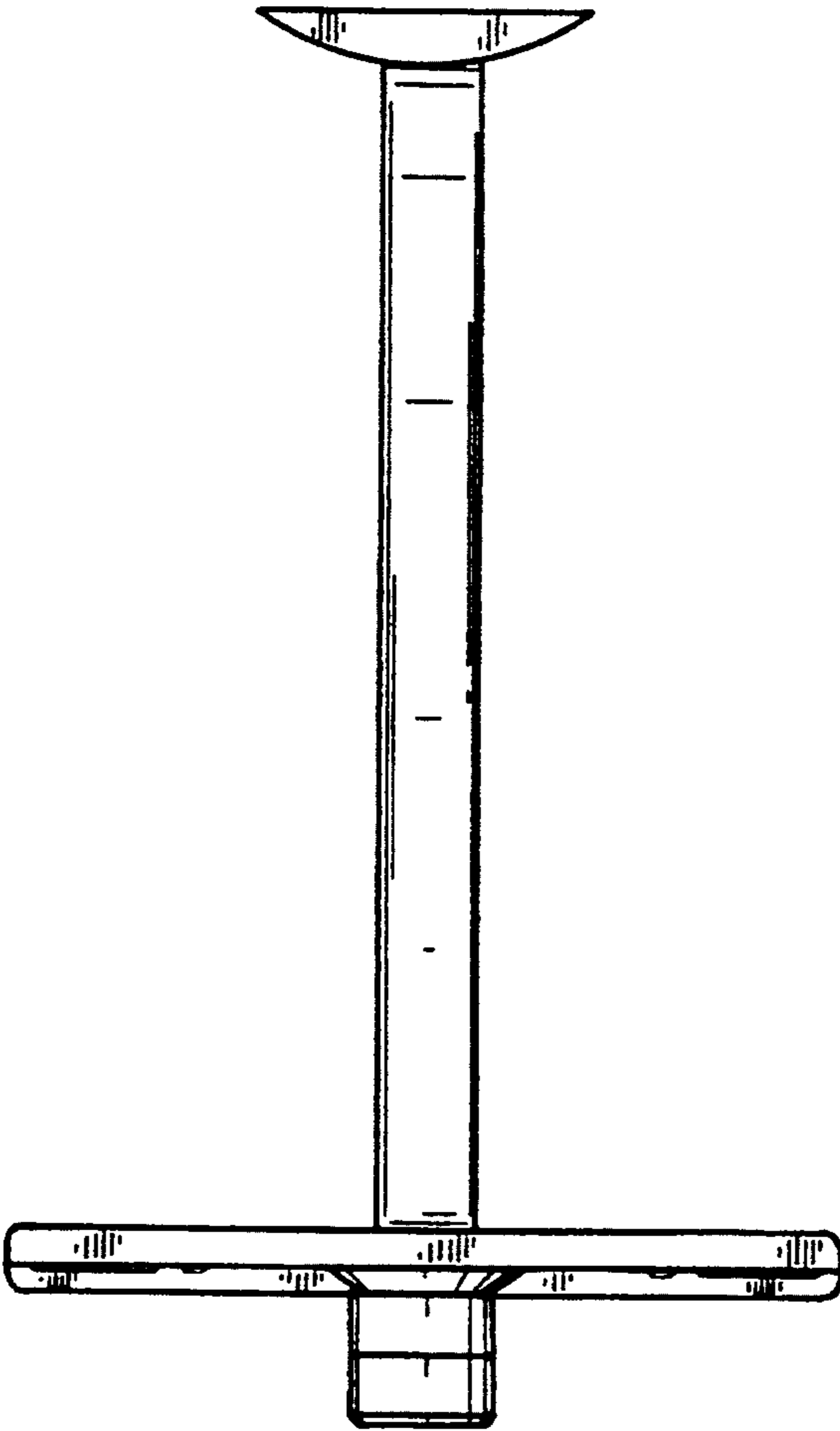


FIG.7