



US00D350660S

United States Patent [19] Klein

[11] Patent Number: **Des. 350,660**
[45] Date of Patent: **** Sep. 20, 1994**

[54] TABLE

[75] Inventor: **Richard S. Klein**, Los Angeles, Calif.

[73] Assignee: **Cal-Style Furniture Mfg. Co.**,
Compton, Calif.

[**] Term: **14 Years**

[21] Appl. No.: **7,712**

[22] Filed: **Apr. 29, 1993**

[52] U.S. Cl. **D6/480; D6/487**

[58] Field of Search **D6/480-489,**
D6/495, 498, 499, 451; 108/153, 156, 161;
248/188, 188.1, 188.7, 188.8

[56] **References Cited**

U.S. PATENT DOCUMENTS

D. 189,973	3/1961	Antonio	D6/482
D. 236,402	8/1975	Lubke	D6/487
D. 253,931	1/1980	De Vischeu et al.	D6/488 X
720,842	2/1903	Peace	248/188.8 X

OTHER PUBLICATIONS

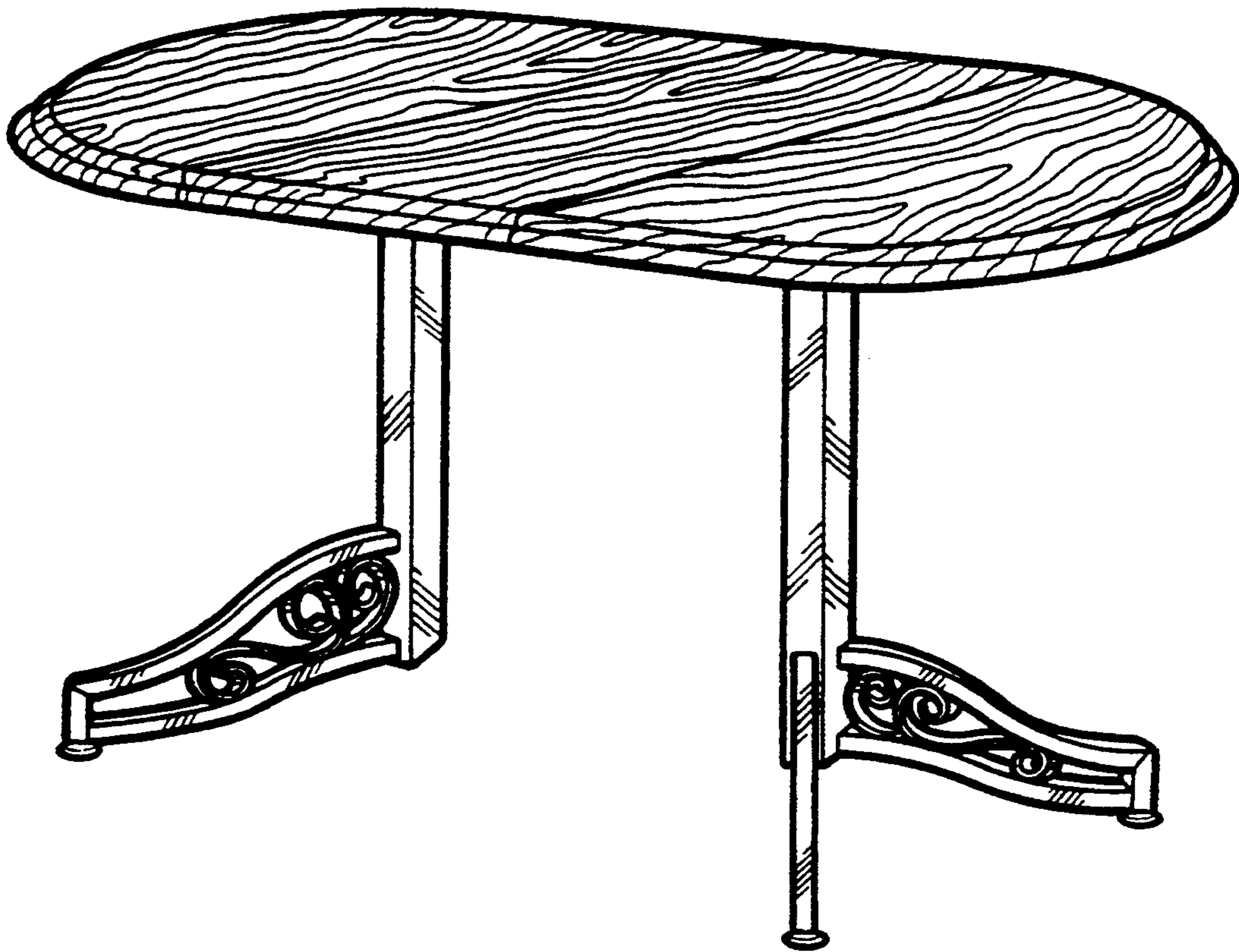
Sunar 83, table top p. 98.
Chromcroft p. D14-Table.
Chromcroft BR1-Table.
Furniture Today Apr. 10, 1989, p. 5, Table at bottom & center.
Primary Examiner—Nelson C. Holtje
Assistant Examiner—J. E. Seeger
Attorney, Agent, or Firm—Edgar A. Zarins; Malcolm L. Sutherland

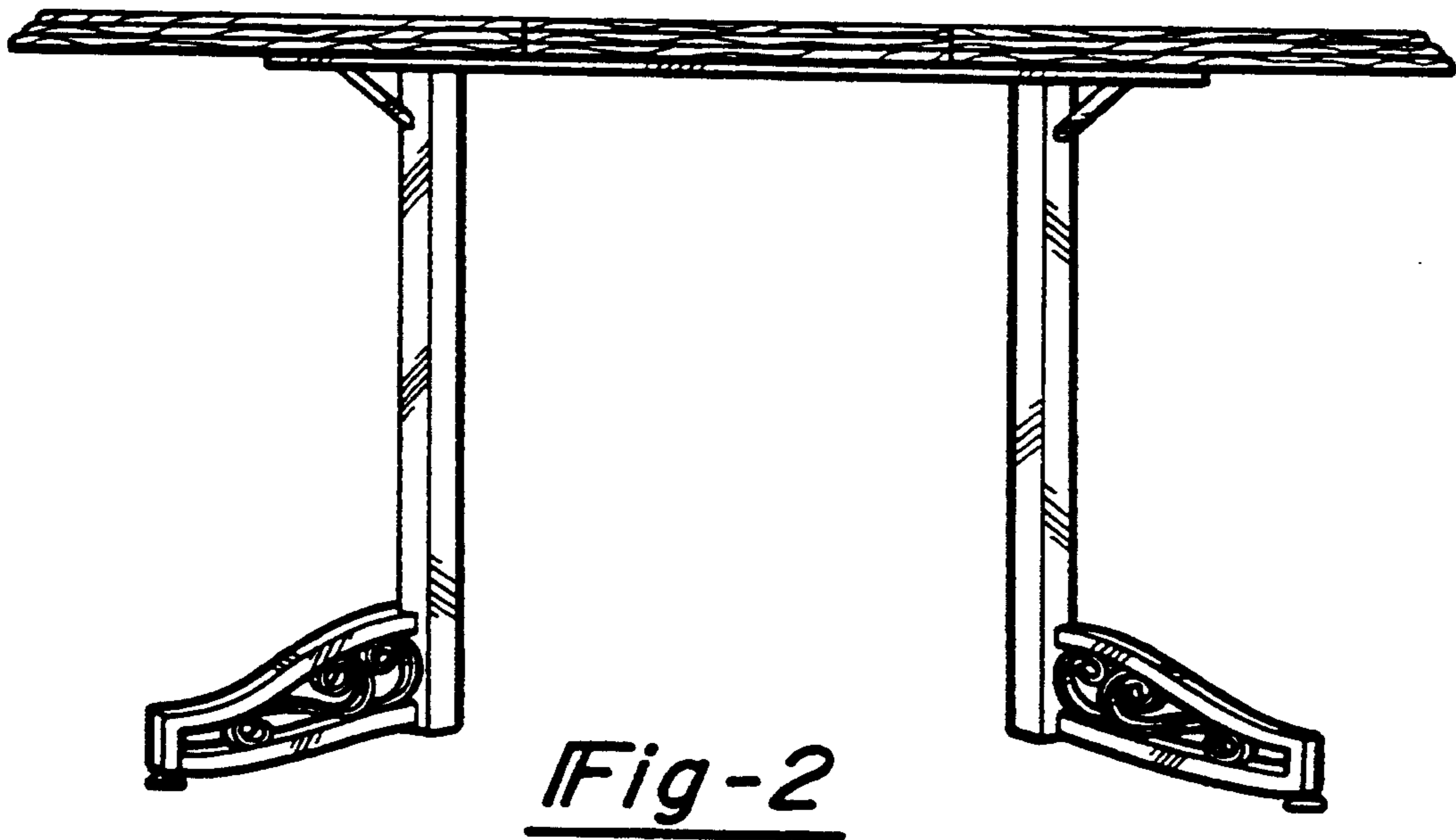
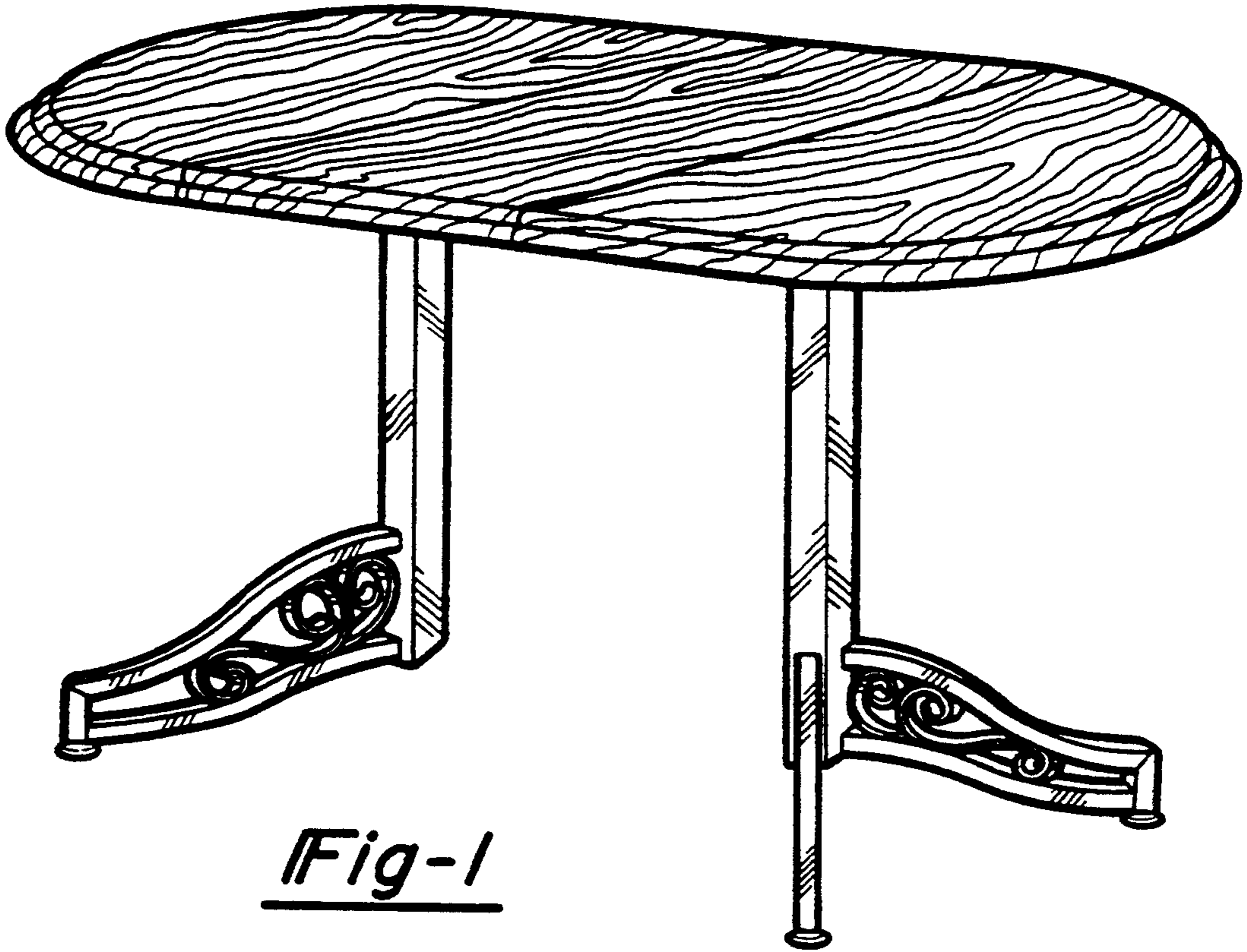
[57] CLAIM

The ornamental design for a table, as shown and described.

DESCRIPTION

FIG. 1 is a perspective view of a table showing my new design;
FIG. 2 is a side view thereof, the opposite side being a mirror image of the side shown;
FIG. 3 is a top plan view thereof; and,
FIG. 4 is an end view thereof, the opposite end being a mirror image of the end shown.





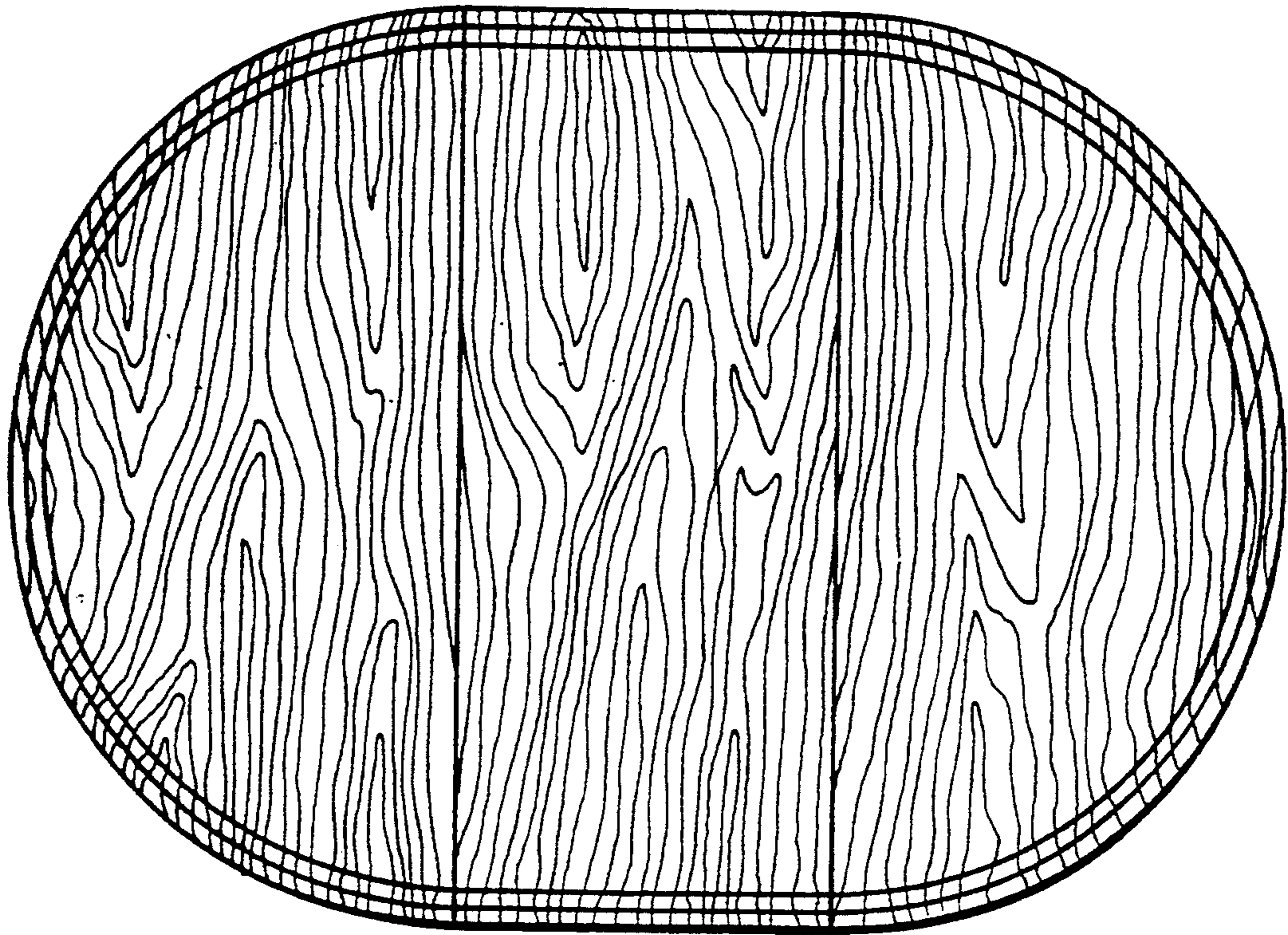


Fig-3

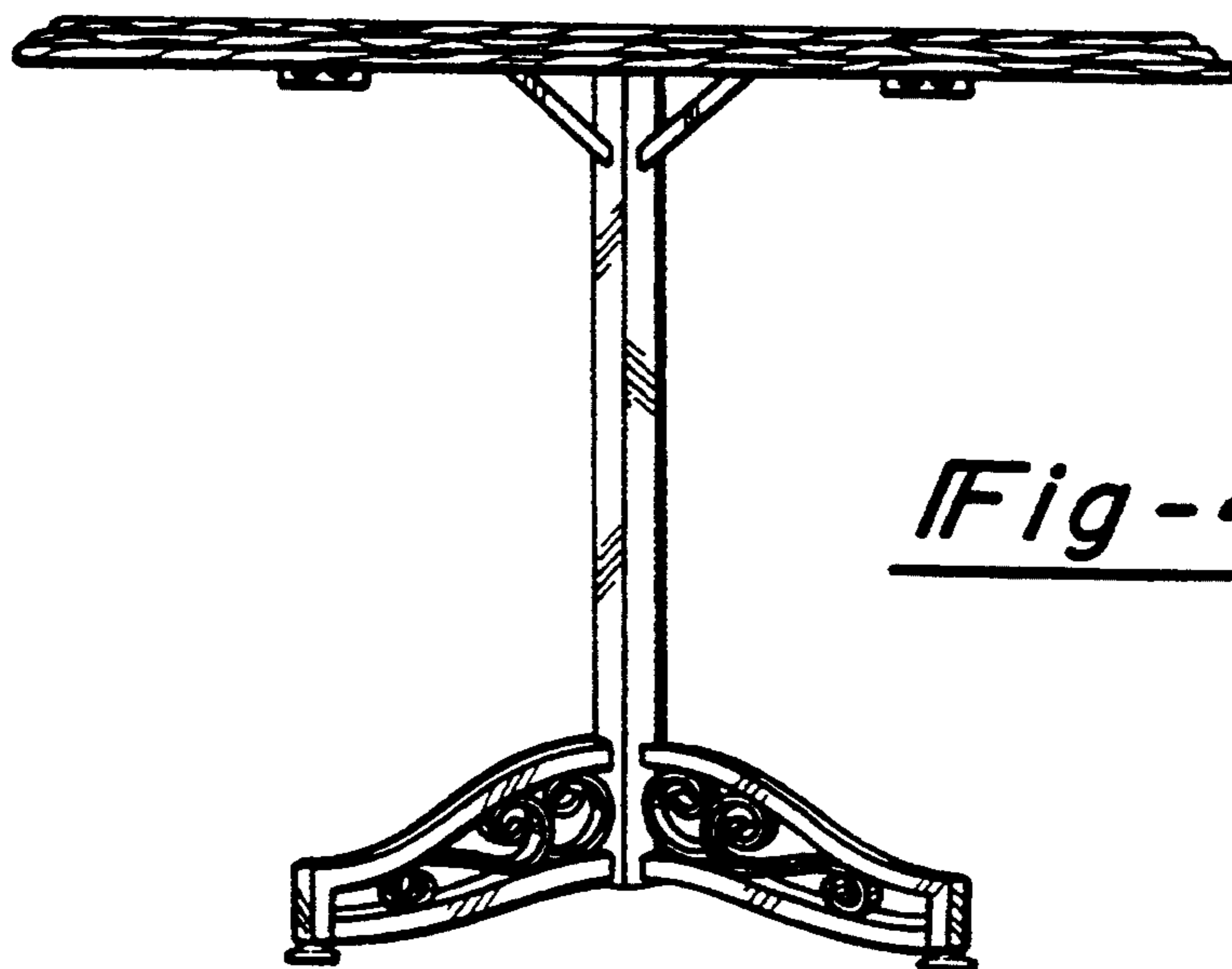


Fig-4