



US00D350658S

United States Patent [19]
Graat

[11] **Patent Number: Des. 350,658**
[45] **Date of Patent: ** Sep. 20, 1994**

[54] **FOOD DISPLAY CASE**

- [75] Inventor: **Kenneth T. Graat**, Laguna Niguel, Calif.
- [73] Assignee: **Spectra Displays**, Aliso Viejo, Calif.
- [**] Term: **14 Years**
- [21] Appl. No.: **10,393**
- [22] Filed: **Jul. 6, 1993**
- [52] U.S. Cl. **D6/471**
- [58] Field of Search **D6/470, 471, 472, 432, D6/436, 440, 441, 442, 438; 312/140.1, 116**

OTHER PUBLICATIONS

Photocopy of pages entitled Tyler Service Meat Fish-Deli by Tyler Refrigeration Corporation.
Photocopy of pages entitled Hill Encore SGX by Hill Refrigeration Corporation.
Photocopy of pages entitled Kysor/Warren 2500 Series by Kysor/Warren.

Primary Examiner—Alan P. Douglas
Assistant Examiner—S. Snapp
Attorney, Agent, or Firm—Knobbe, Martens, Olson & Bear

[56] **References Cited**

U.S. PATENT DOCUMENTS

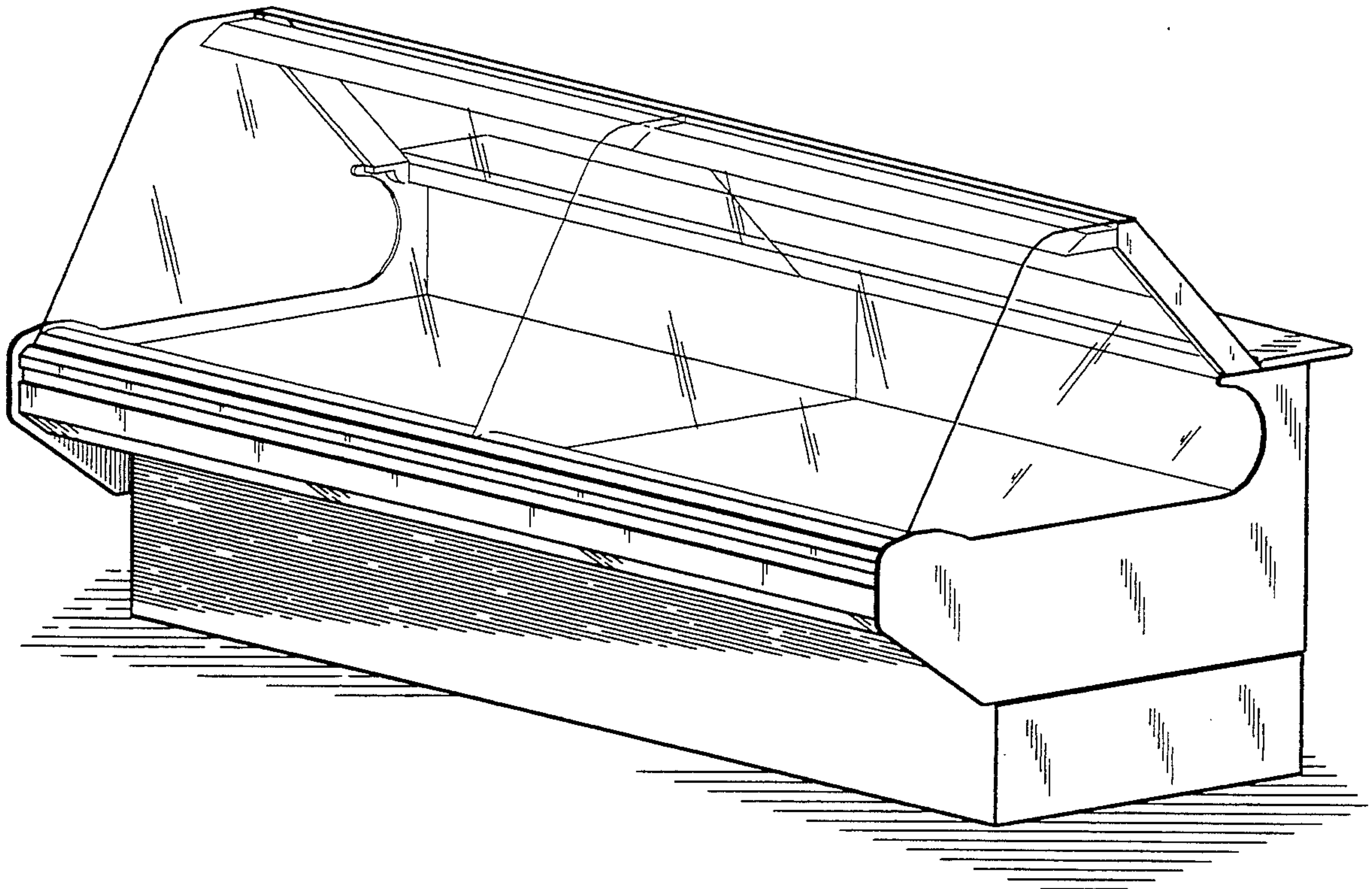
D. 144,380	4/1946	Hoffman	D6/470
D. 146,558	5/1947	Davis	D6/438
D. 161,895	2/1951	Bently	D6/470
D. 182,567	4/1958	Chapman	D6/470
D. 200,279	2/1965	Perez	D6/470
D. 209,722	12/1967	Mangini	D6/471
D. 221,314	7/1971	Toth	D6/470

[57] **CLAIM**

The ornamental design for a food display case, as shown and described.

DESCRIPTION

FIG. 1 is an elevational view of the right end of a food display case illustrating my new design, which is a mirror image of the left end;
FIG. 2 is a front elevational view thereof;
FIG. 3 is a bottom view thereof;
FIG. 4 is a rear view thereof;
FIG. 5 is a top plan view thereof; and,
FIG. 6 is a top right perspective view thereof.



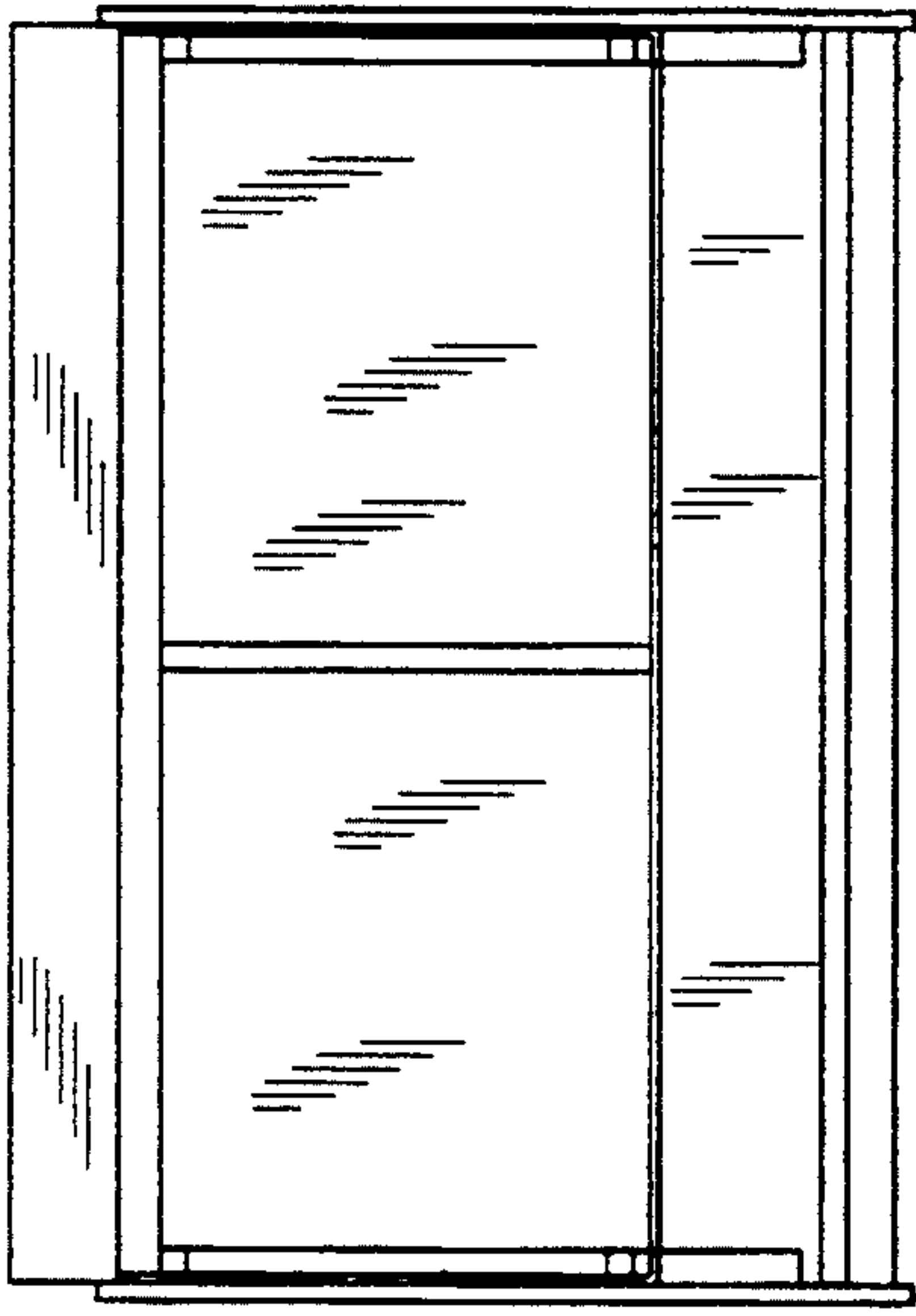


FIG. 3

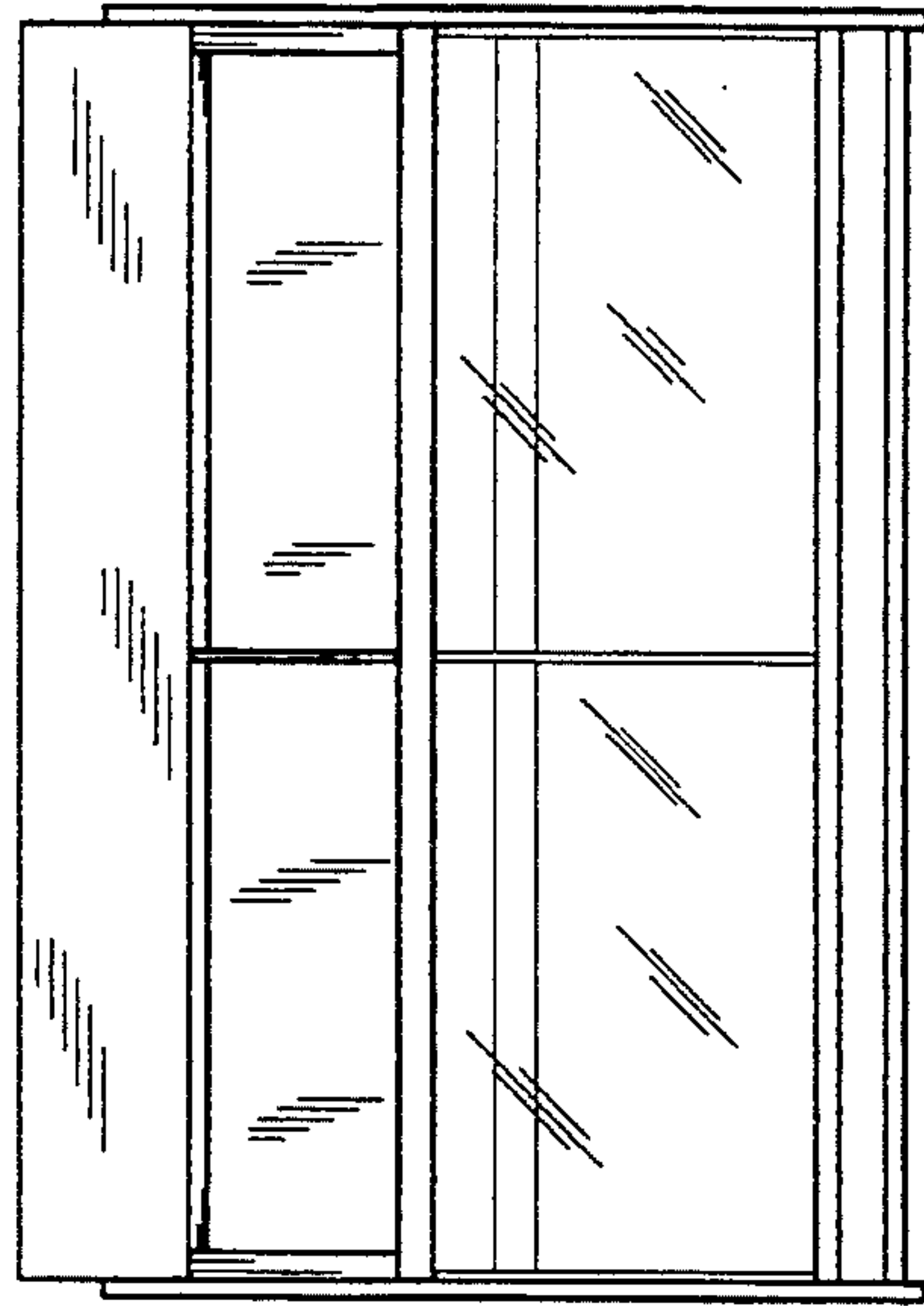


FIG. 5

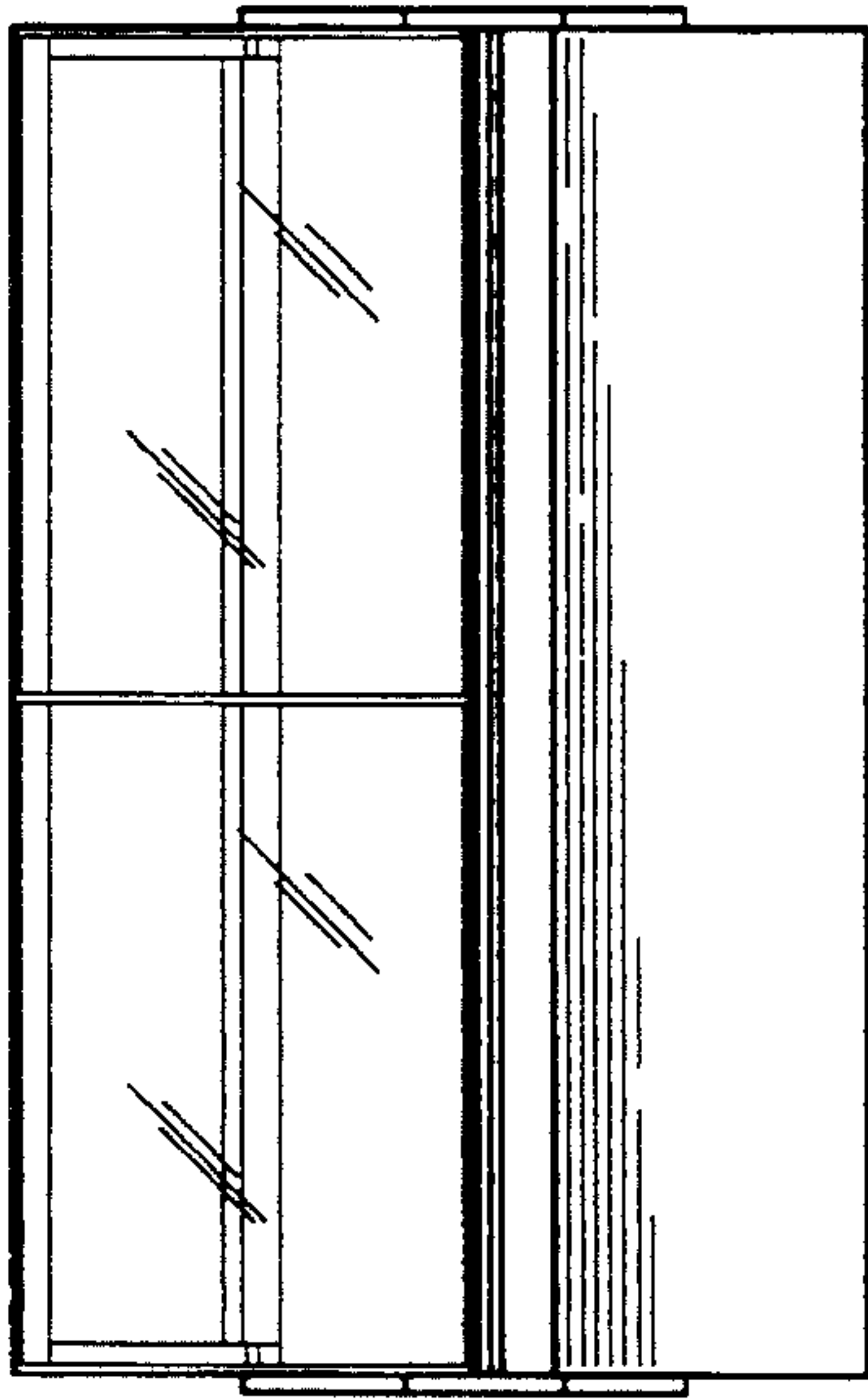


FIG. 2

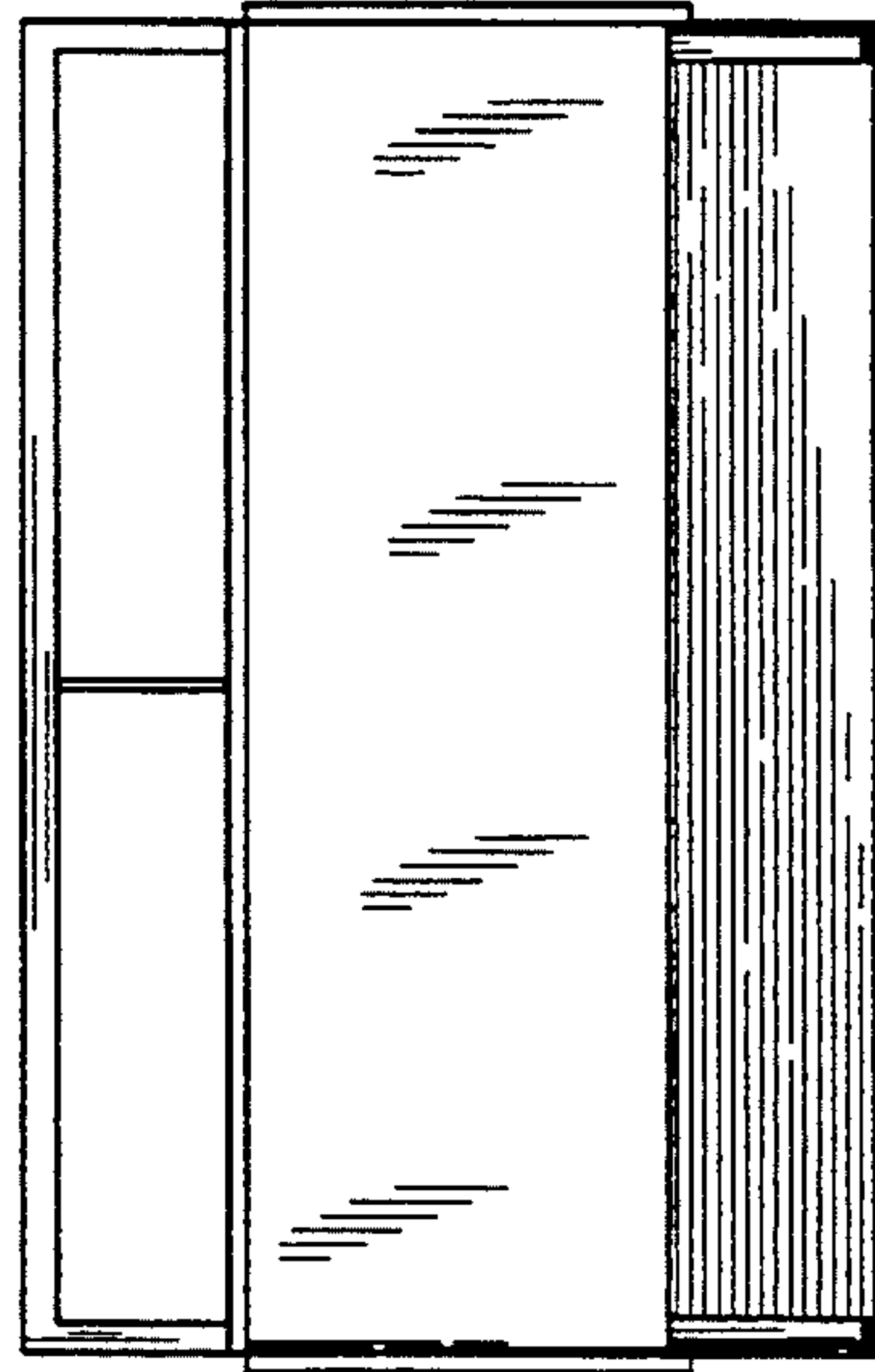


FIG. 4

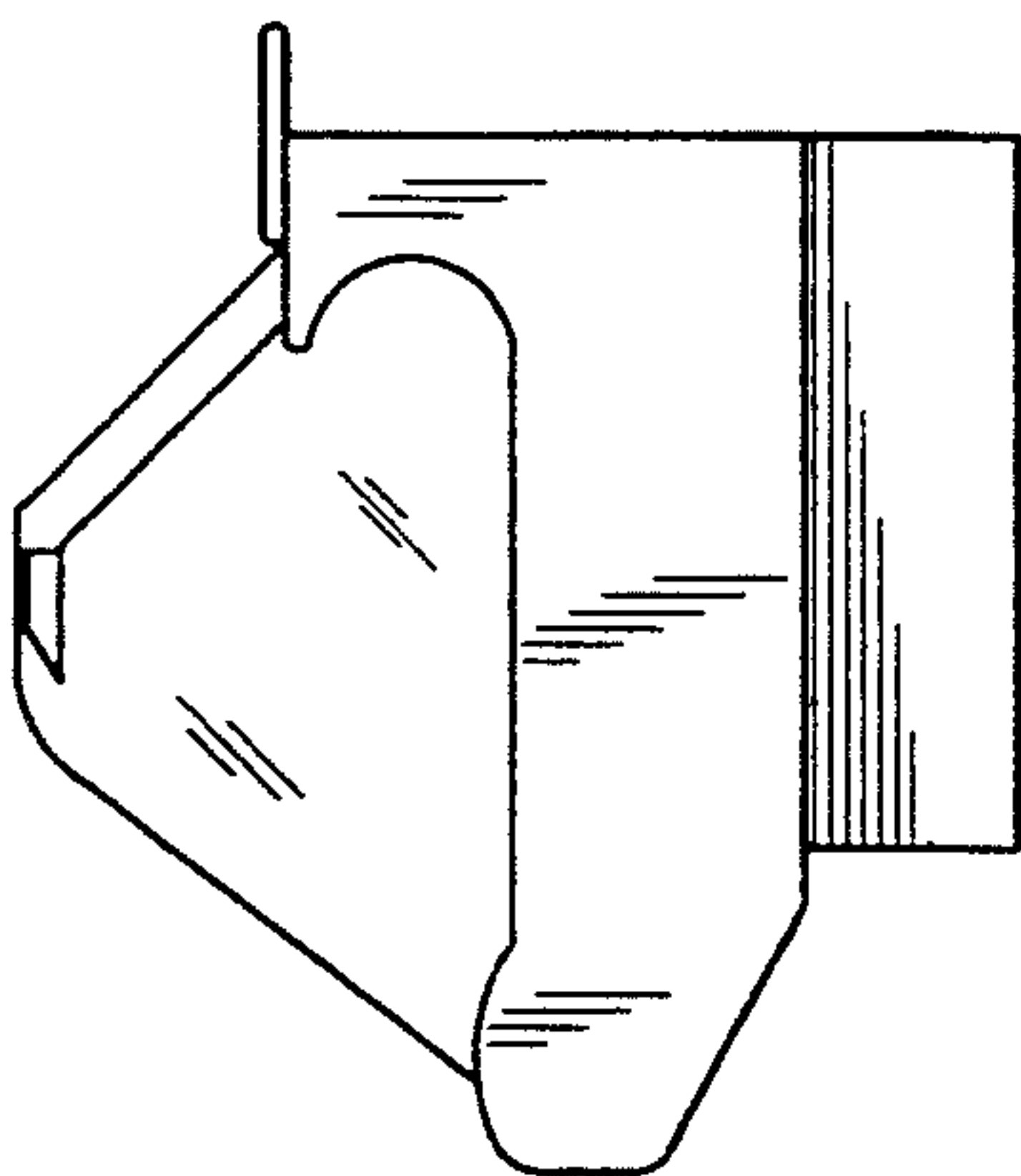


FIG. 1

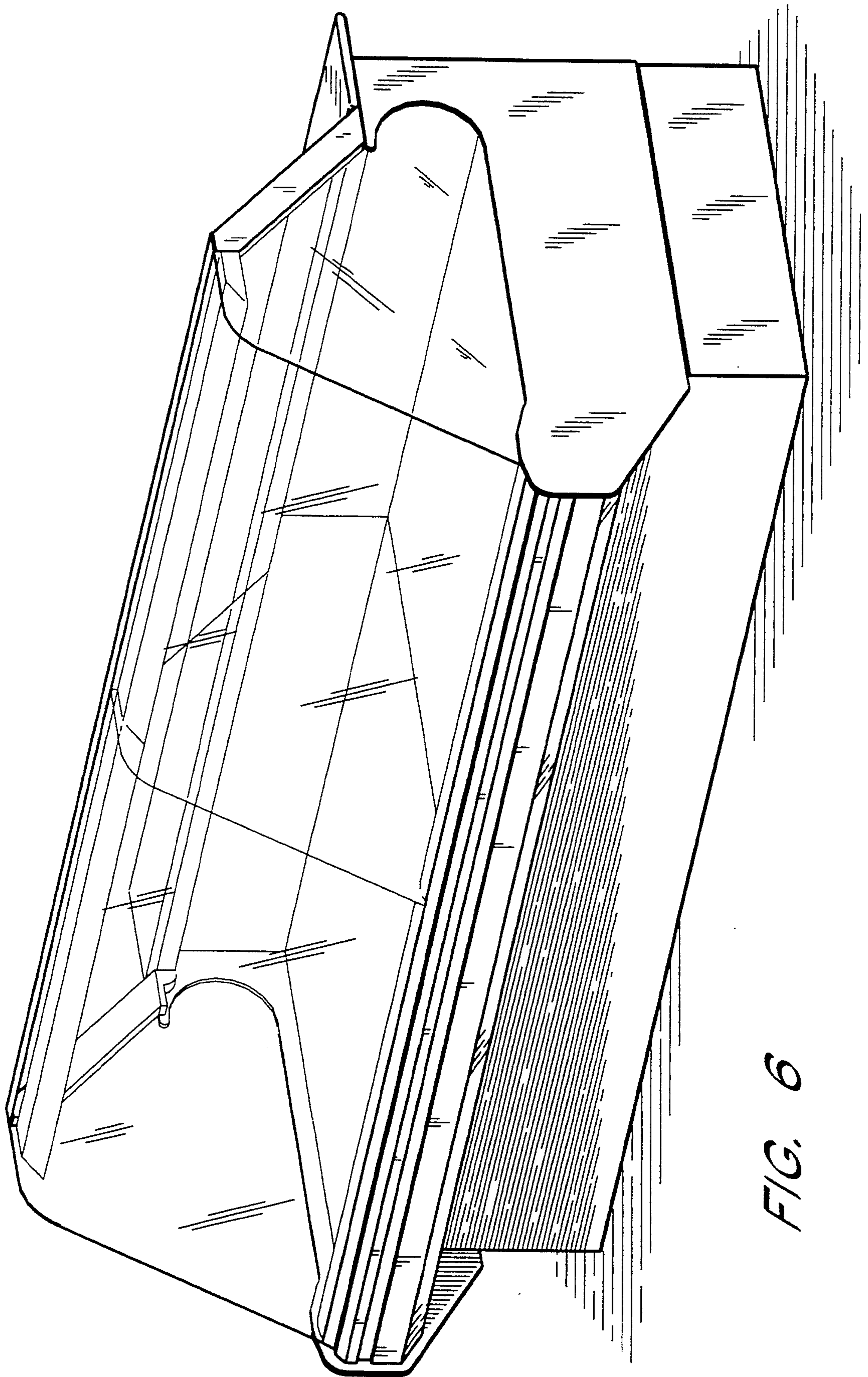


FIG. 6