



US00D350650S

# United States Patent [19]

[11] Patent Number: **Des. 350,650**

Chaney et al.

[45] Date of Patent: **\*\* Sep. 20, 1994**

[54] **ROCKING CHAIR**

[75] Inventors: **David B. Chaney, Powell; W. Henry Kahl, Wooster; Barry W. Smith, Dublin, all of Ohio**

[73] Assignee: **Rubbermaid Incorporated, Wooster, Ohio**

[\*\*] Term: **14 Years**

[21] Appl. No.: **10,544**

[22] Filed: **Jul. 12, 1993**

[52] U.S. Cl. .... **D6/348**

[58] Field of Search ..... **D6/334, 344, 348, 366, D6/374, 375, 379, 380, 500, 501, 502; 297/358**

[56] **References Cited**

**U.S. PATENT DOCUMENTS**

D. 194,840	3/1963	Ridder et al. ....	D6/348
D. 238,022	12/1975	Payne, Jr. et al. ....	D6/348
D. 254,640	4/1980	Deck et al. ....	D6/366
D. 273,061	3/1984	Goff .....	D6/348
D. 311,826	11/1990	Schwartz et al. ....	D6/379 X
D. 329,757	9/1992	Mecker .....	D6/348

**OTHER PUBLICATIONS**

Page 3, Rocking Chair; The Little Tikes Company, 2180 Barlow Road, Hudson, Oh. 44236, publication date 1990.

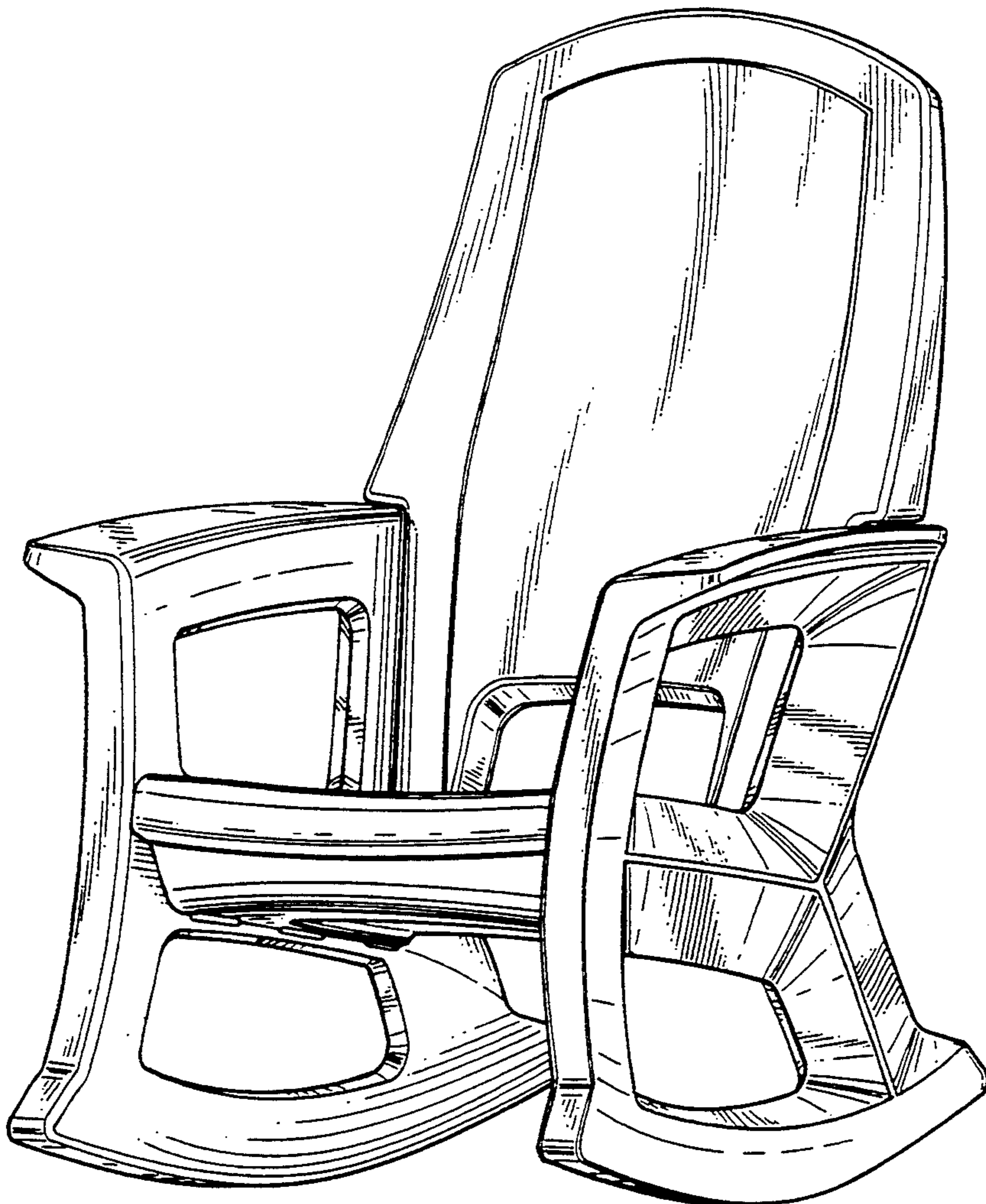
*Primary Examiner*—Alan P. Douglas  
*Assistant Examiner*—Gary D. Watson  
*Attorney, Agent, or Firm*—Richard B. O’Planick; Lisa B. Riedesel

[57] **CLAIM**

The ornamental design for a rocking chair, as shown and described.

**DESCRIPTION**

FIG. 1 is a right front perspective view of a rocking chair, showing our new design;  
FIG. 2 is a front elevational view thereof;  
FIG. 3 is a rear elevational view thereof;  
FIG. 4 is a top plan view thereof;  
FIG. 5 is a bottom plan view thereof;  
FIG. 6 is a left side elevational view thereof; the opposite side being a mirror image.



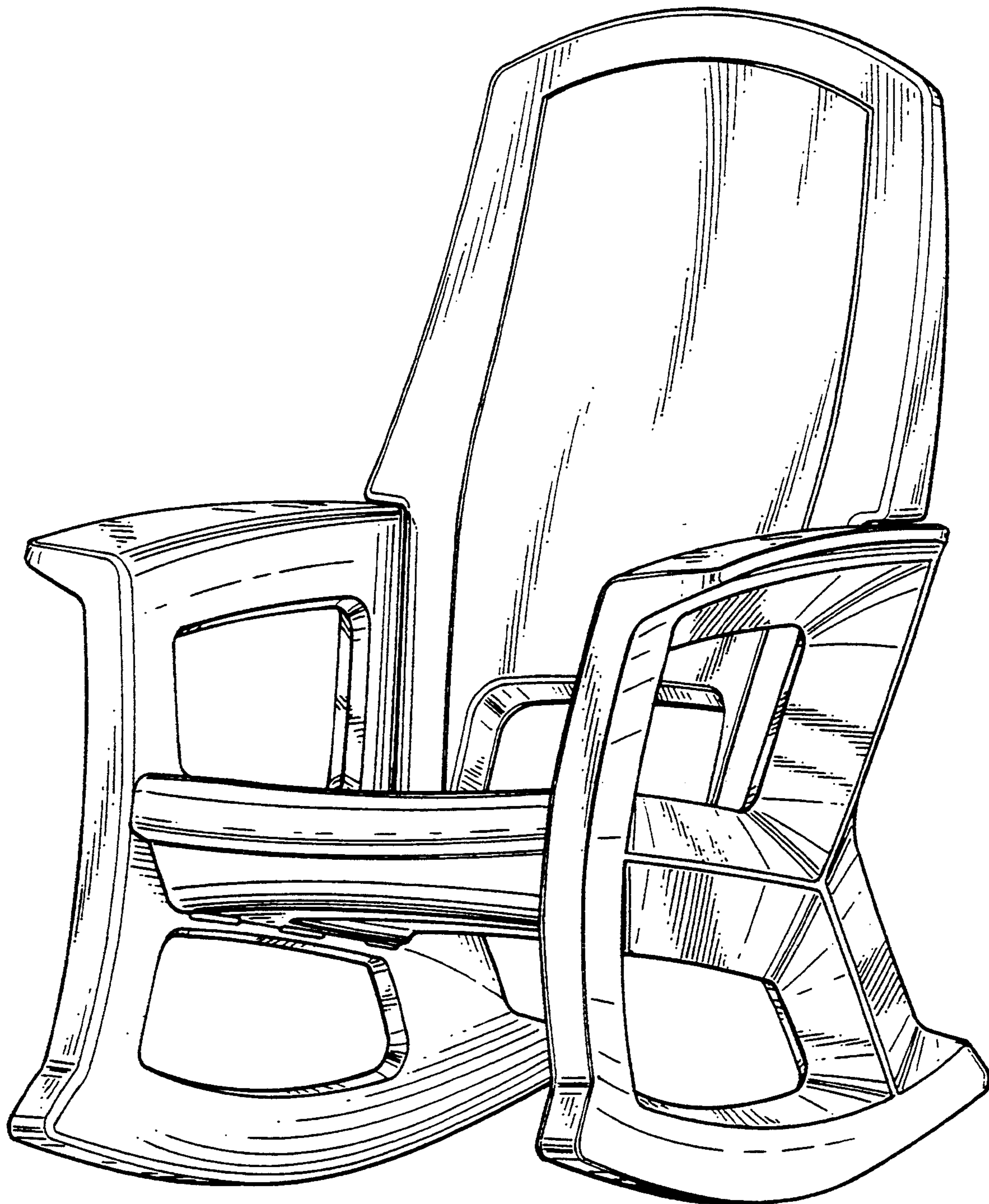


FIG. 1

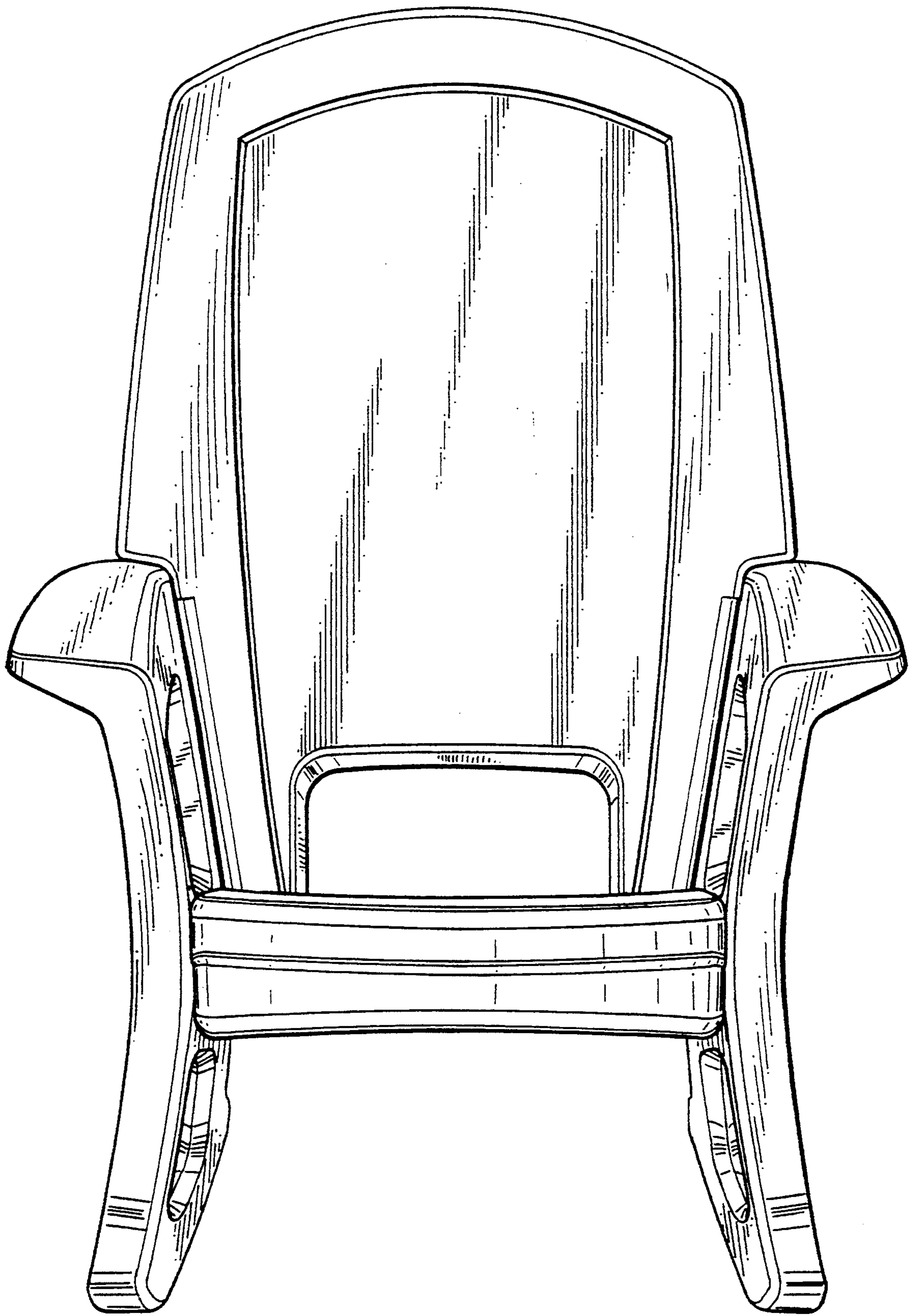


FIG. 2

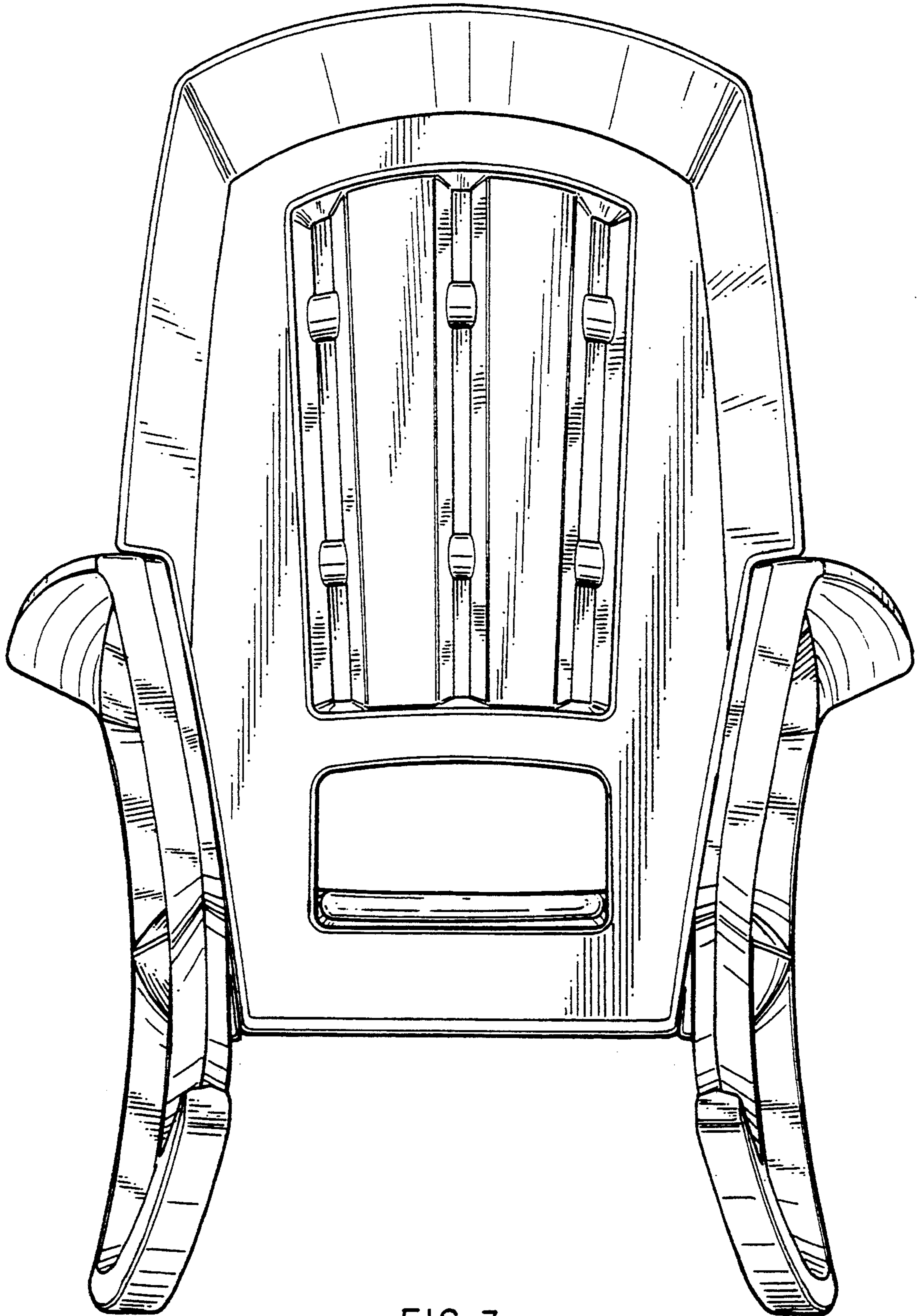


FIG. 3

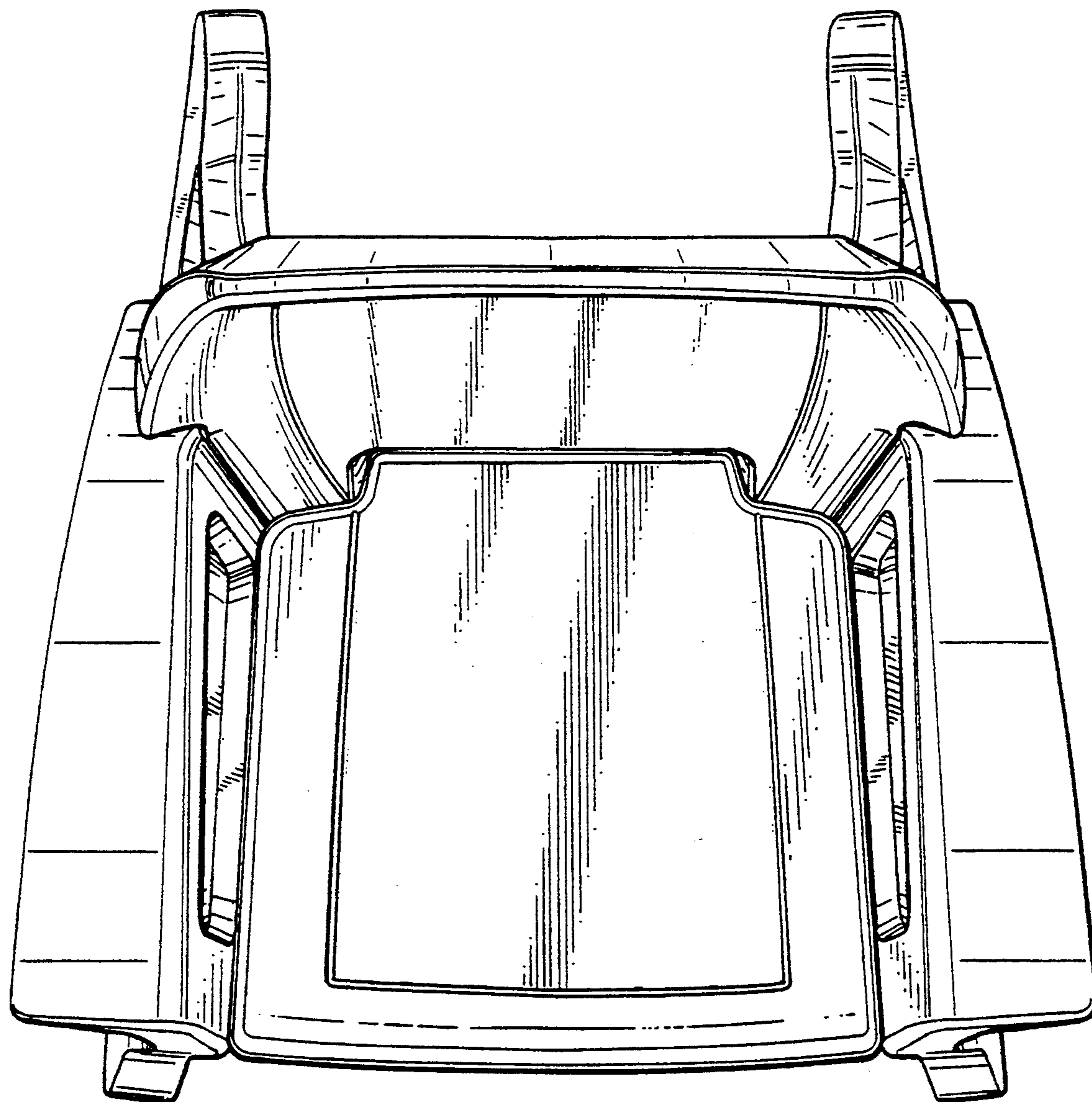


FIG. 4

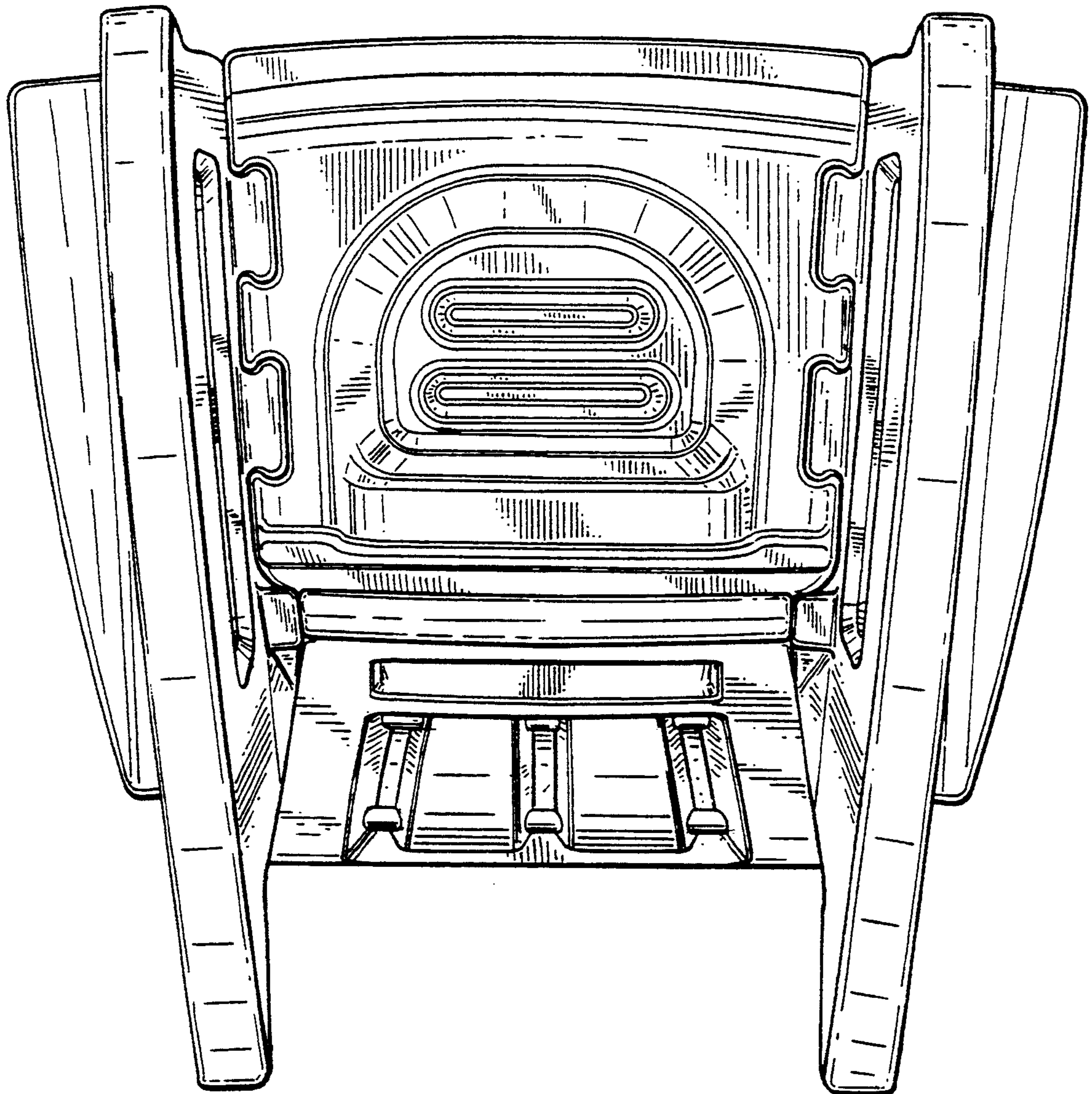


FIG. 5

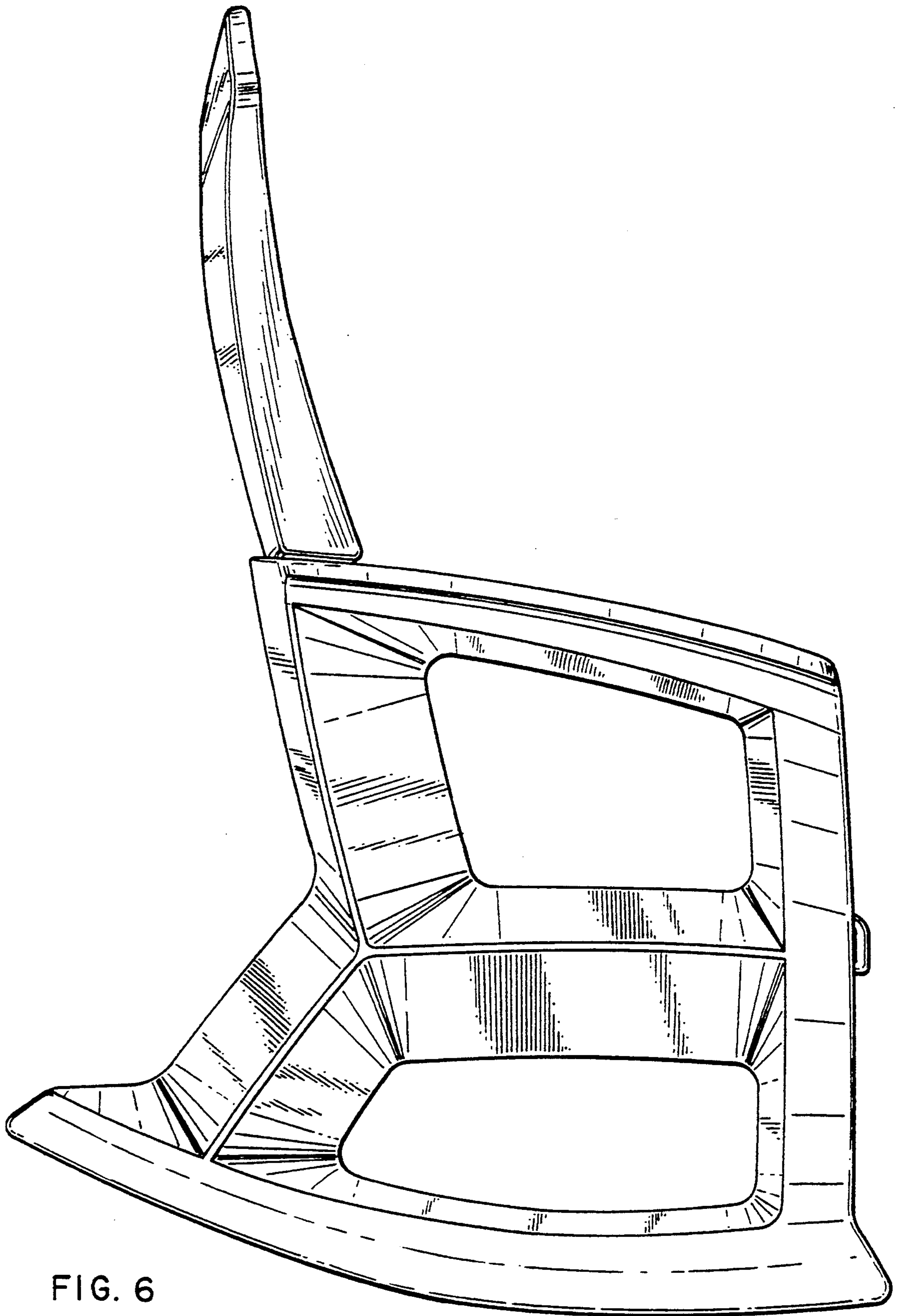


FIG. 6