



US00D350648S

# United States Patent [19]

[11] Patent Number: **Des. 350,648**

Gabriel-Lacki et al.

[45] Date of Patent: **\*\* Sep. 20, 1994**

[54] **COLLAPSIBLE PORTABLE CHILD'S PLAY-PEN**

[75] Inventors: **Christopher Gabriel-Lacki, Pointe-Claire; Andrzej Kryzstofowicz, Brossard, both of Canada**

[73] Assignee: **Quinn Wise & Associates Inc., Toronto, Canada**

[\*\*] Term: **14 Years**

[21] Appl. No.: **9,208**

[22] Filed: **Jun. 7, 1993**

[52] U.S. Cl. .... **D6/331; D6/333; D6/391**

[58] Field of Search ..... **D6/331, 333, 382, 383, D6/390-392; 5/93.1, 93.2, 99.1, 655; D3/213**

[56] **References Cited**

**U.S. PATENT DOCUMENTS**

D. 207,302	4/1967	Lerner	.....	D6/391
2,600,501	6/1952	Higgs	.....	5/98.1 X
2,672,628	3/1954	Spanel	.....	D6/382 X
3,336,608	8/1967	Lerner	.....	D6/333 X

*Primary Examiner*—Janice E. Seeger  
*Attorney, Agent, or Firm*—D. Doak Horne; Arne I. Fors; Jeffrey T. Imai

[57] **CLAIM**

The ornamental design for a collapsible portable child's play-pen, as shown and described.

**DESCRIPTION**

FIG. 1 is a perspective view of a collapsible portable child's play-pen, showing our new design in the closed position;  
 FIG. 2 is a front view thereof when in the closed position;  
 FIG. 3 is a rear view thereof when in the closed position;  
 FIG. 4 is a bottom plan view thereof when in the closed position;  
 FIG. 5 is a top plan view thereof when in the closed position;  
 FIG. 6 is a right side elevation view thereof when in the closed position;  
 FIG. 7 is a left side elevation view thereof when in the closed position;  
 FIG. 8 is a perspective view of our design, shown in the open position;  
 FIG. 9 is a front view thereof, when in the open position;  
 FIG. 10 is a right side elevation view thereof, when in the open position;  
 FIG. 11 is a rear view thereof, when in the open position; and,  
 FIG. 12 is a bottom plan view thereof, when in the open position.

The broken lines are for environmental purposes only and form no part of the claimed design.

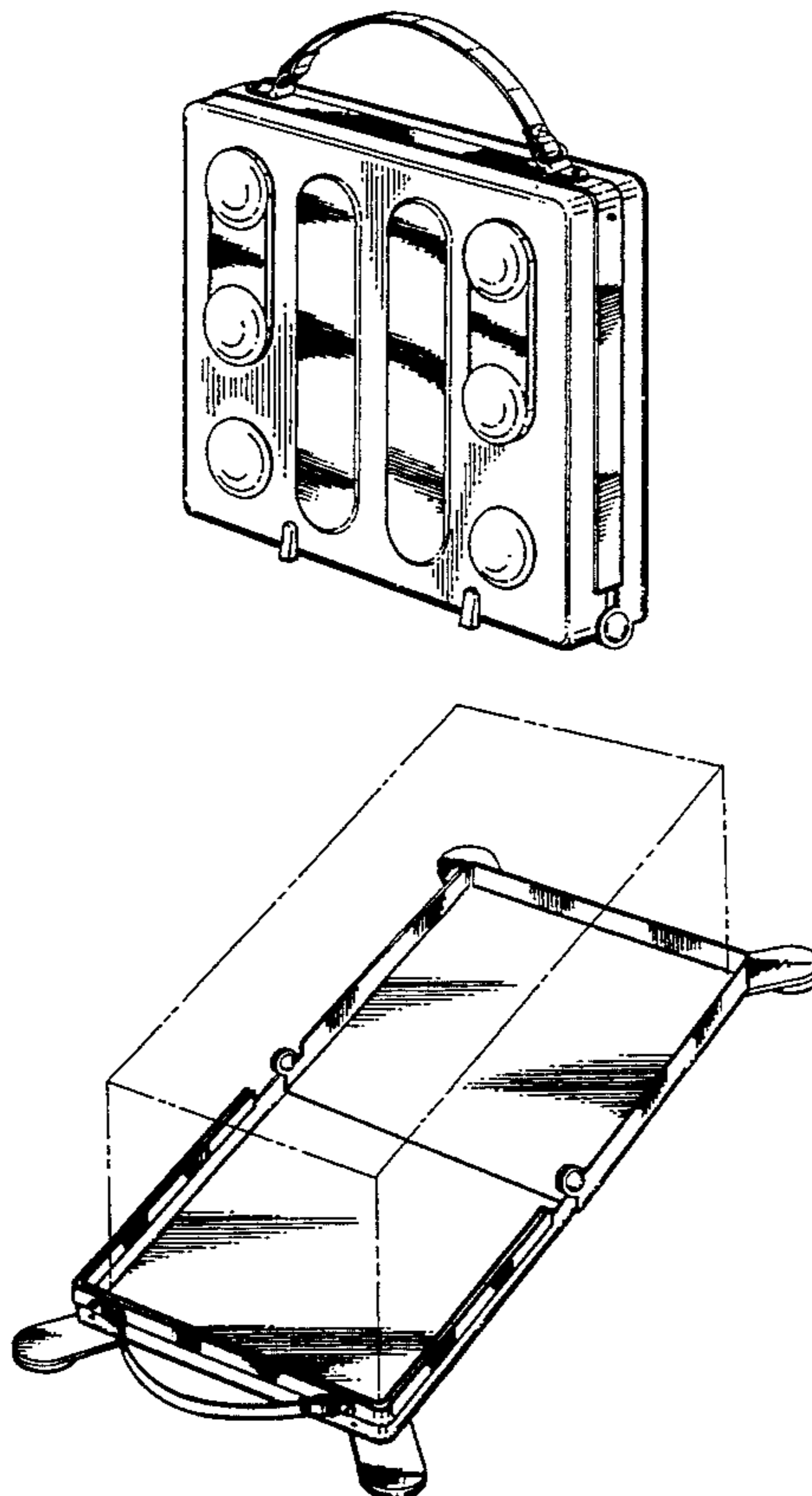


FIG.1.

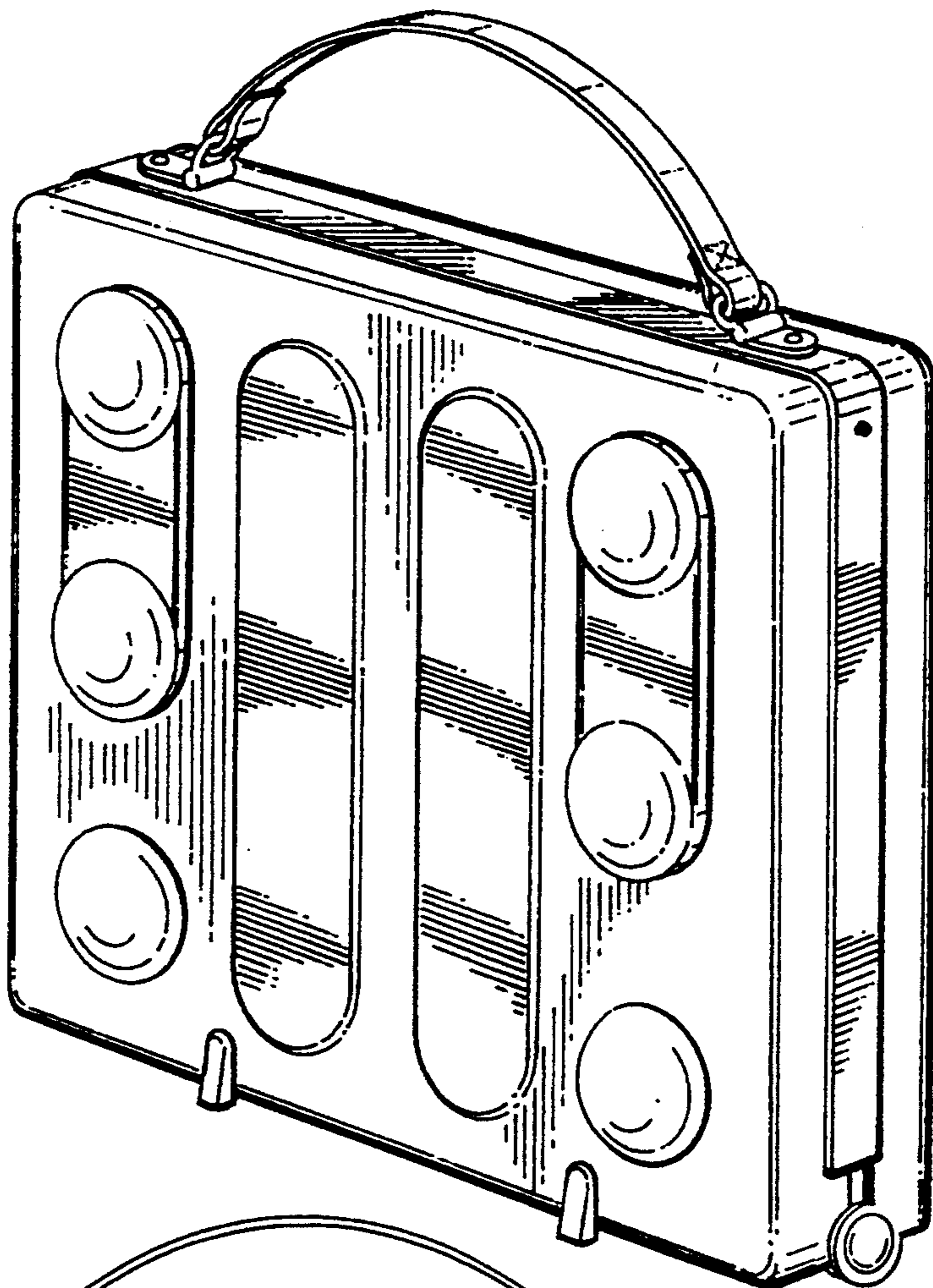


FIG.2.

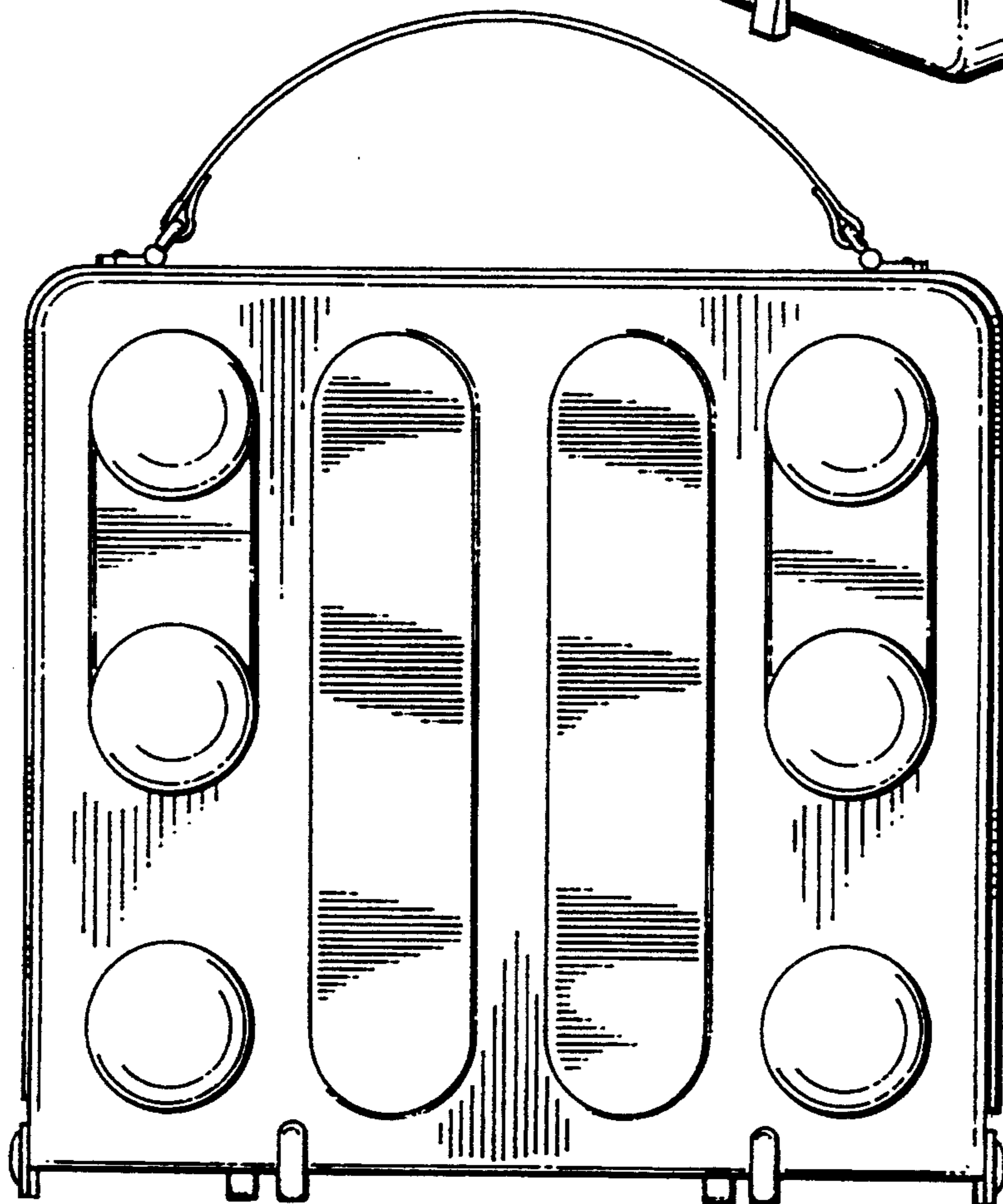


FIG. 3.

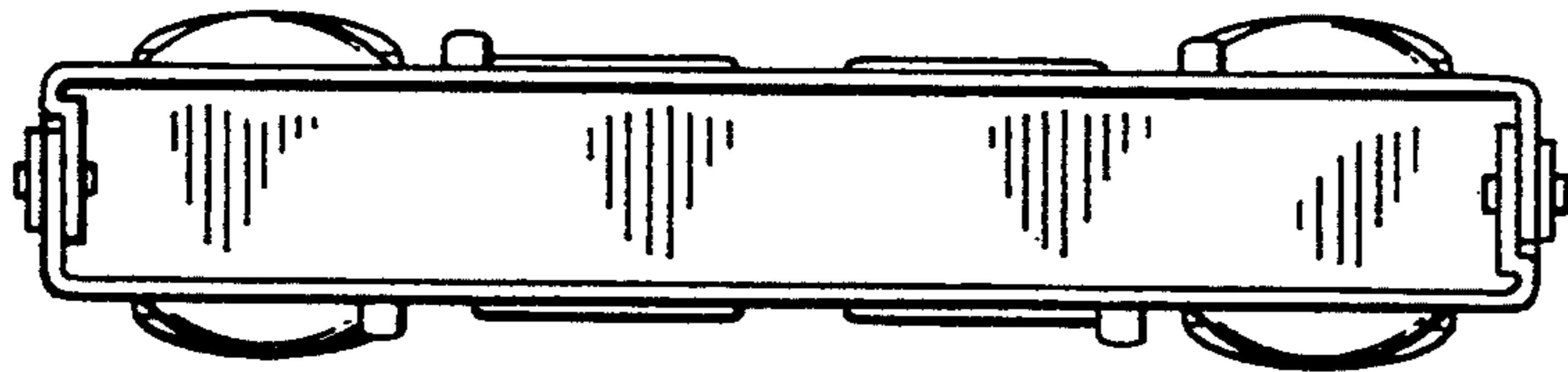
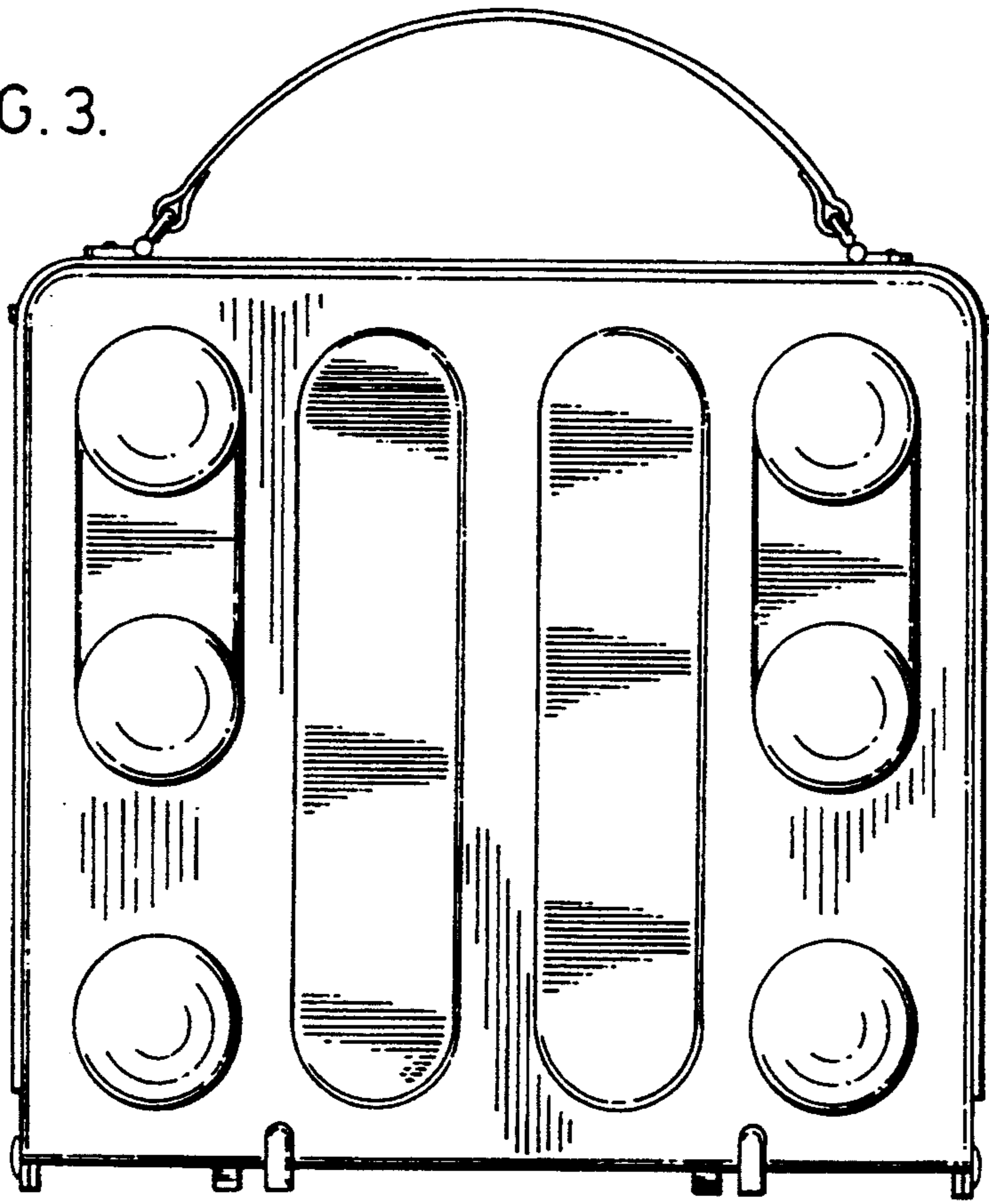


FIG. 4.

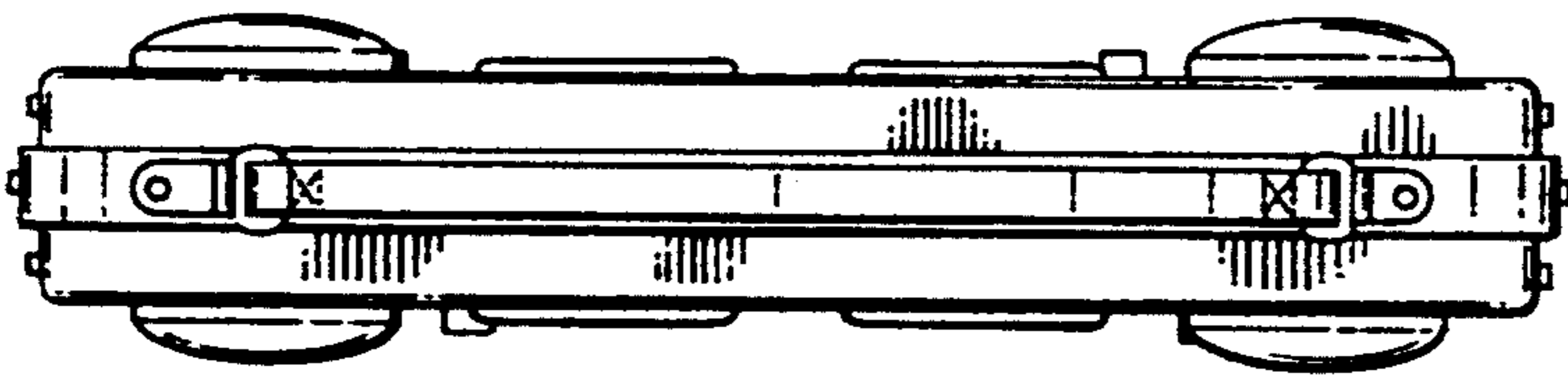


FIG. 5.

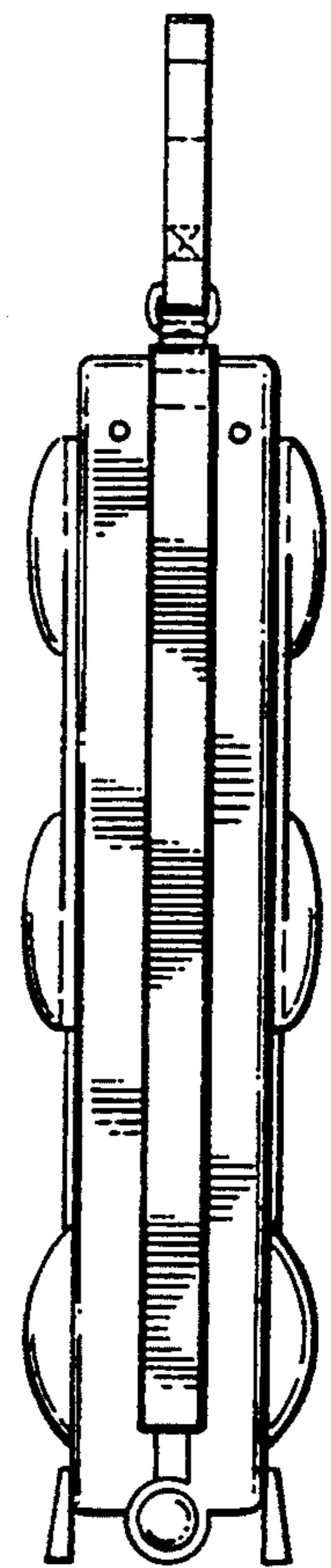


FIG. 6.

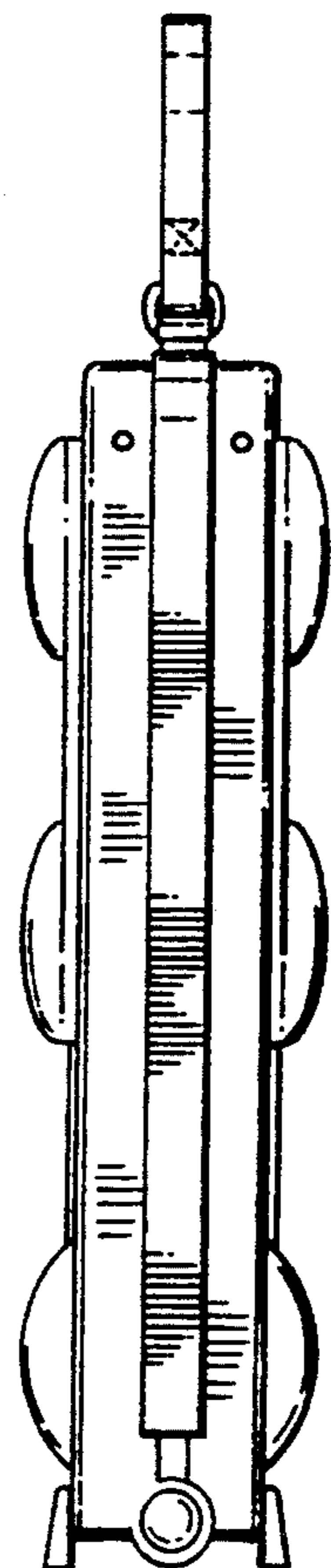


FIG. 7.

FIG. 8.

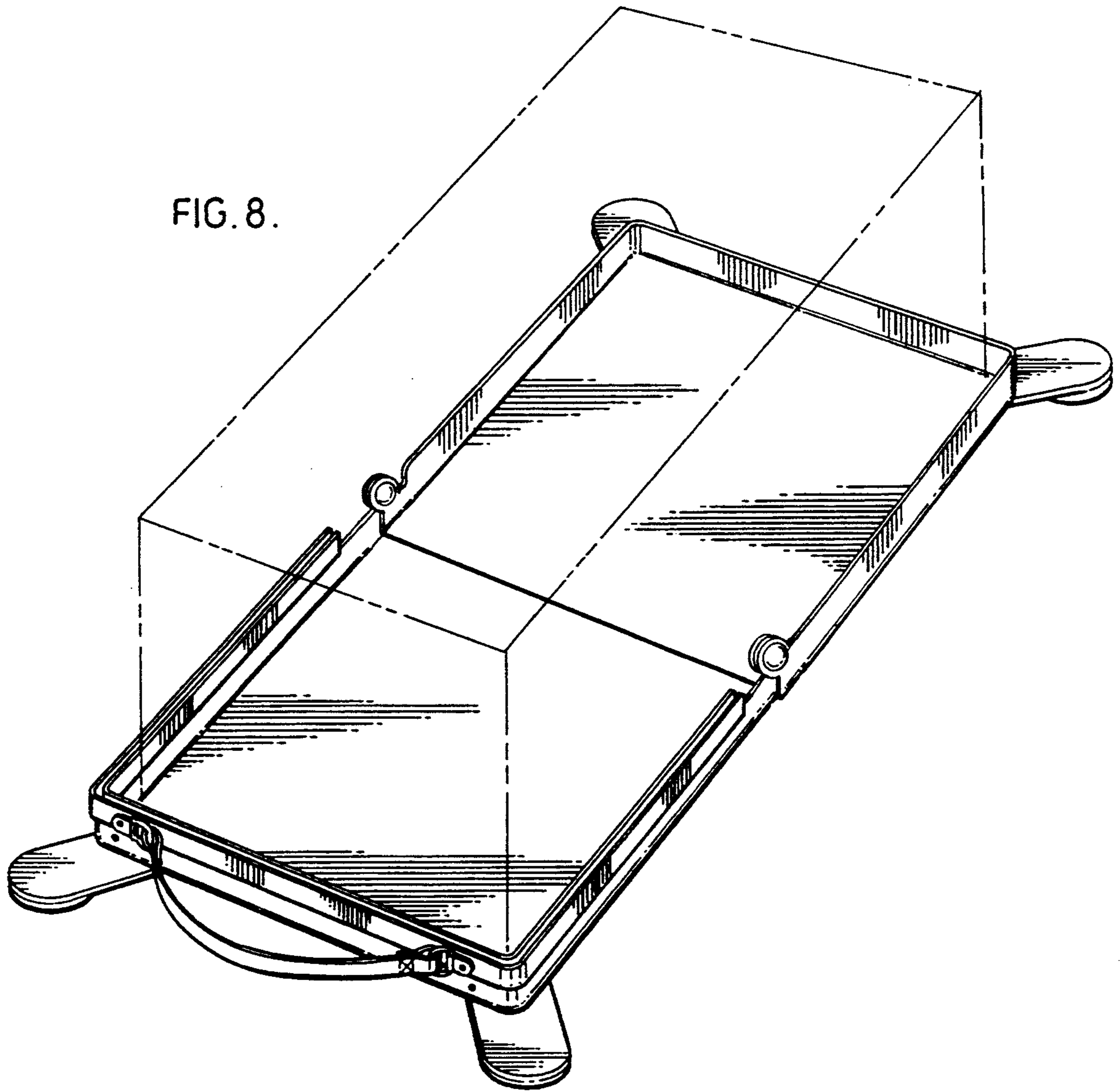
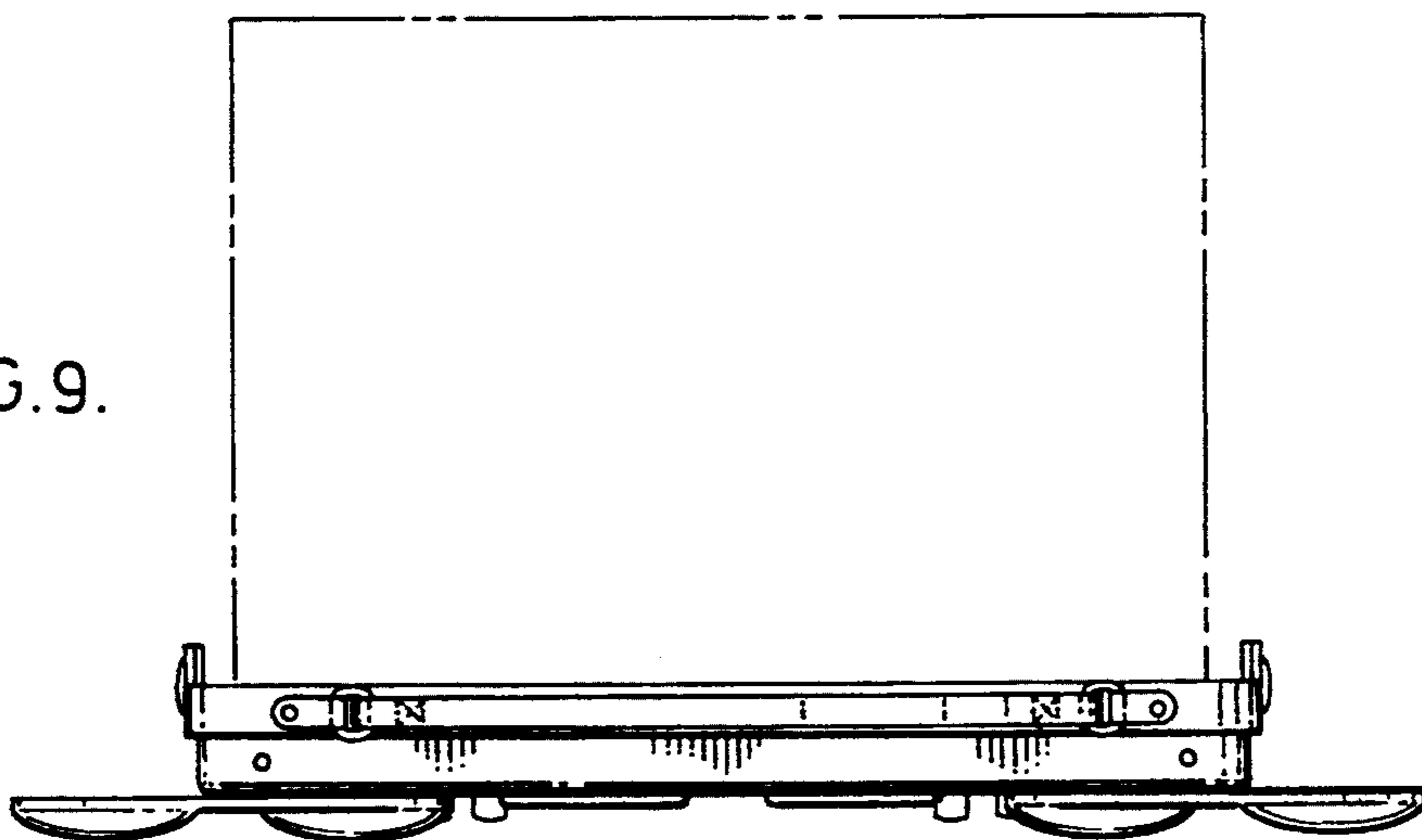


FIG. 9.



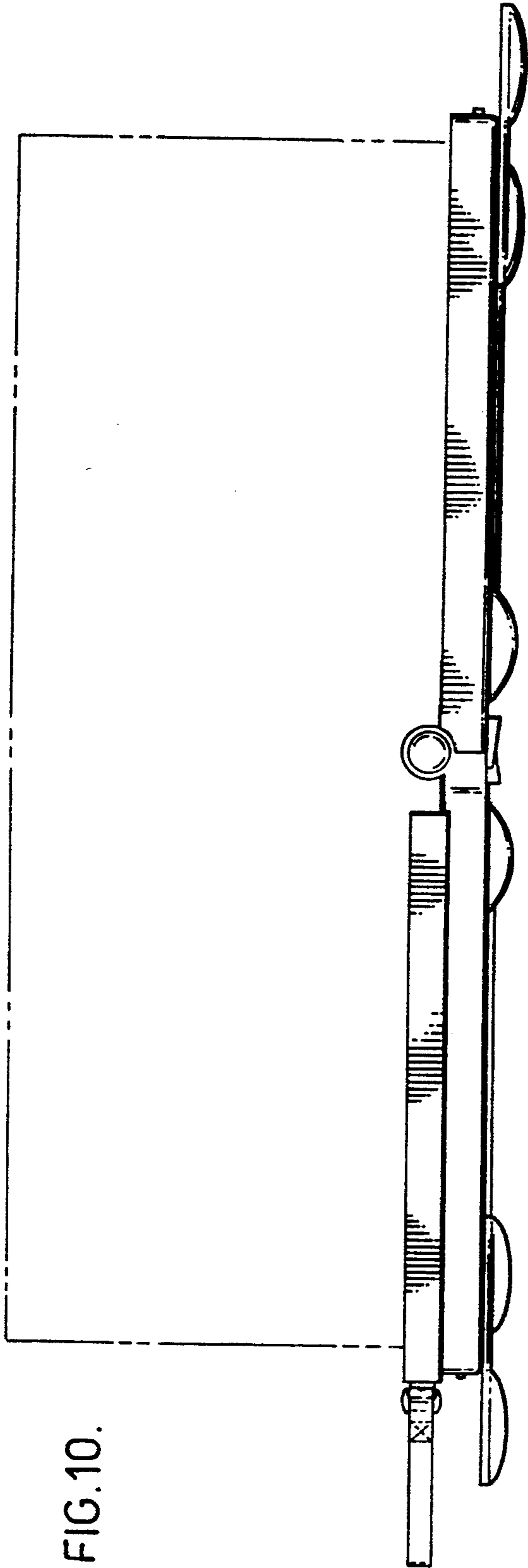


FIG. 10.

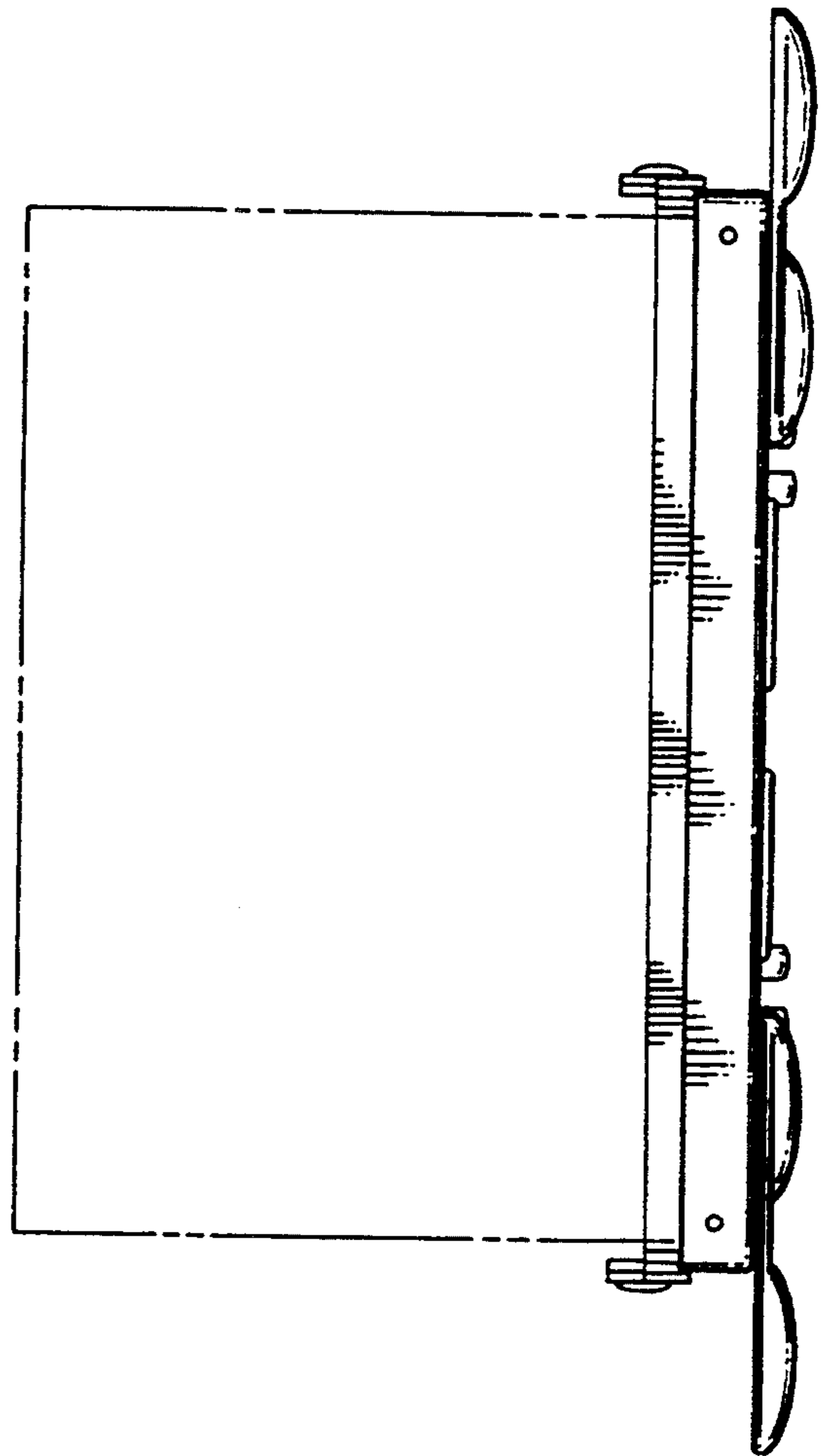


FIG. 11.

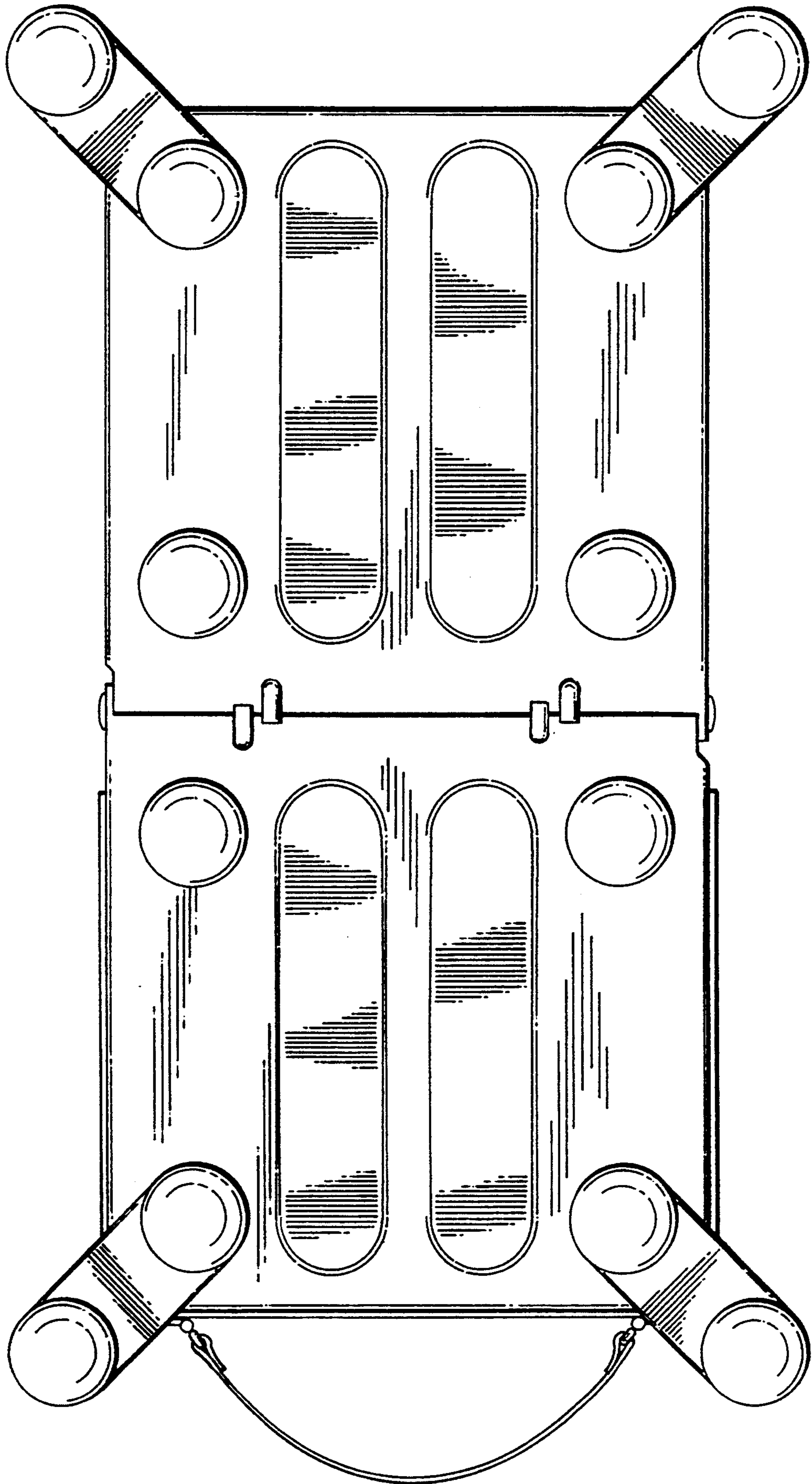


FIG.12.