



US00D350647S

United States Patent [19]

[11] Patent Number: **Des. 350,647**

Dee

[45] Date of Patent: **** Sep. 20, 1994**

[54] **HOLDER FOR PURSE**

2,542,246 2/1951 Grosz 150/108
2,553,317 5/1951 Hill D3/54 X

[75] Inventor: **Robert D. Dee**, Allentown, Pa.

OTHER PUBLICATIONS

[73] Assignee: **Smirne Plastics, Inc.**, Allentown, Pa.

Fashion Accessories, Aug. 1950, p. 101; "Ban 'N Glove Holder" at bottom right.

[**] Term: **14 Years**

Primary Examiner—Louis S. Zarfes

[21] Appl. No.: **953,572**

Attorney, Agent, or Firm—James D. Dee

[22] Filed: **Sep. 28, 1992**

[57] **CLAIM**

[52] U.S. Cl. **D3/328**

The ornamental design for a holder for purse, as shown and described.

[58] Field of Search D3/42-54,
D3/106, 58, 328; 150/100-102, 104, 106, 107,
108

DESCRIPTION

[56] **References Cited**

FIG. 1 is a perspective view of a holder for purse showing my new design;

U.S. PATENT DOCUMENTS

D. 27,529	8/1897	Stiebel	D3/54
D. 183,020	6/1958	Reed	D3/48
D. 222,405	10/1971	Wolf	D3/58 X
D. 256,738	9/1980	Dockery	D3/54

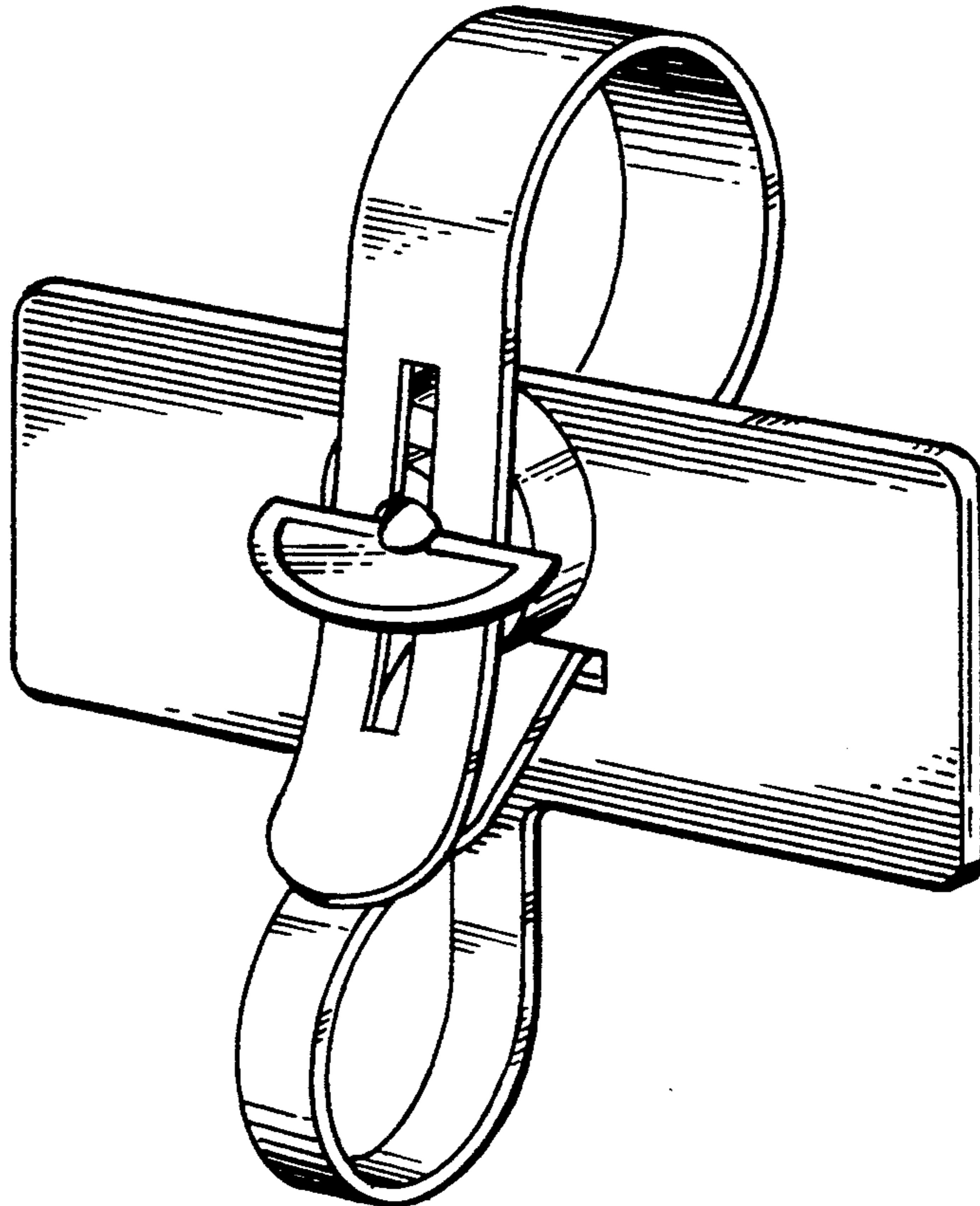
FIG. 2 is a top elevational view of my new design;

FIG. 3 is a front elevational view of my new design;

FIG. 4 is a bottom plan view of my new design;

FIG. 5 is a side elevational view of my new design; and,

FIG. 6 is a rear elevational view of my new design;



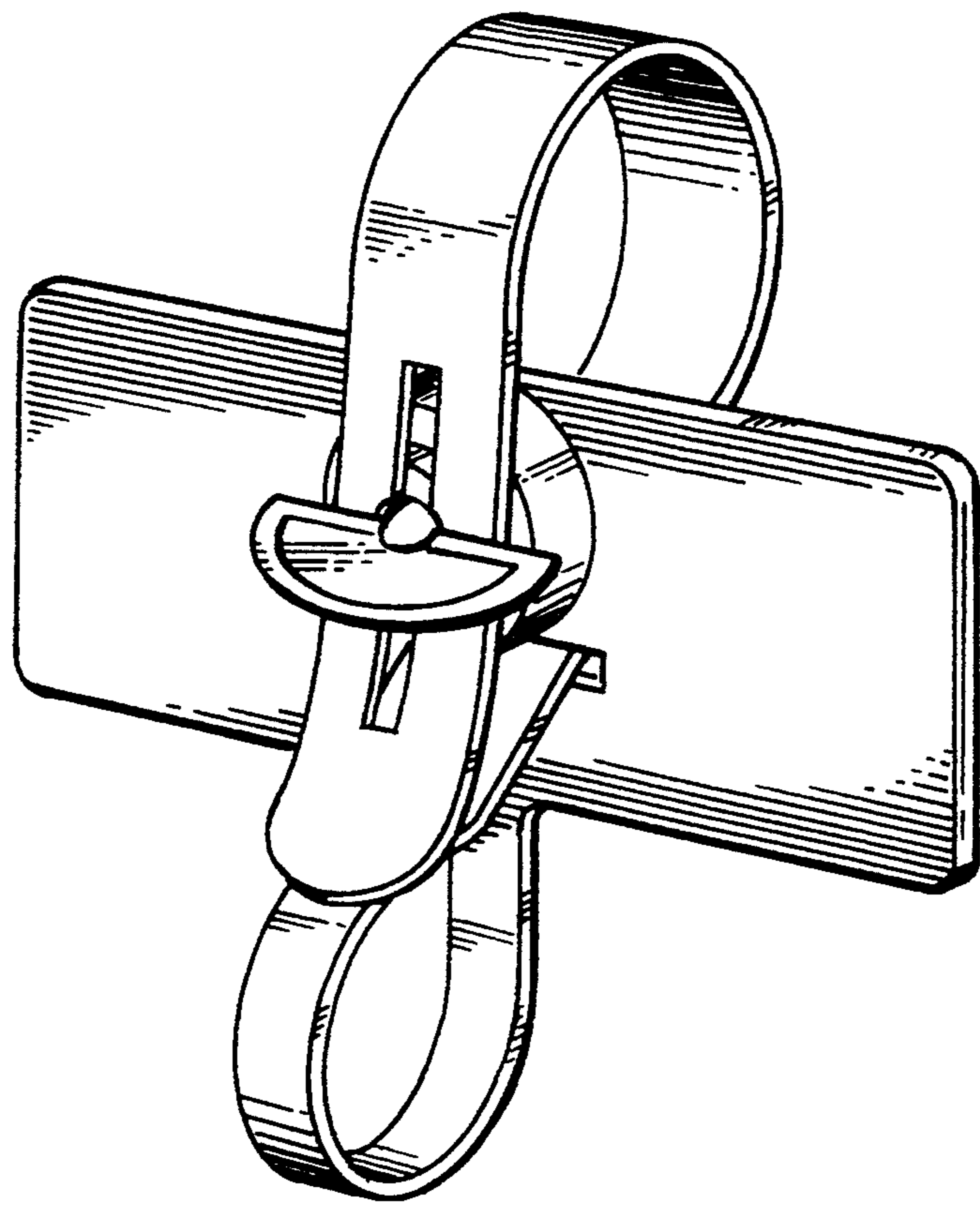


FIG. 1

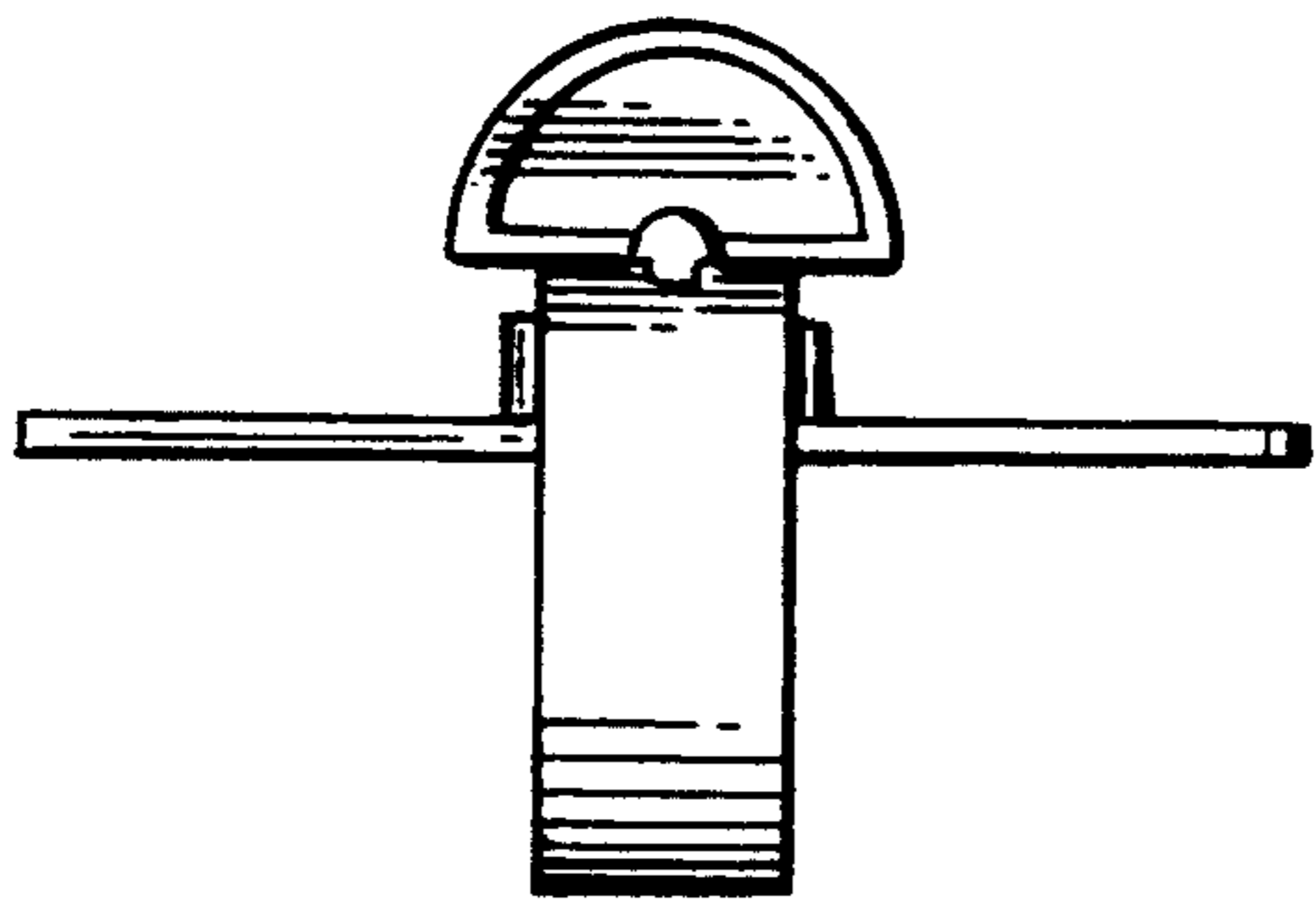


FIG. 2

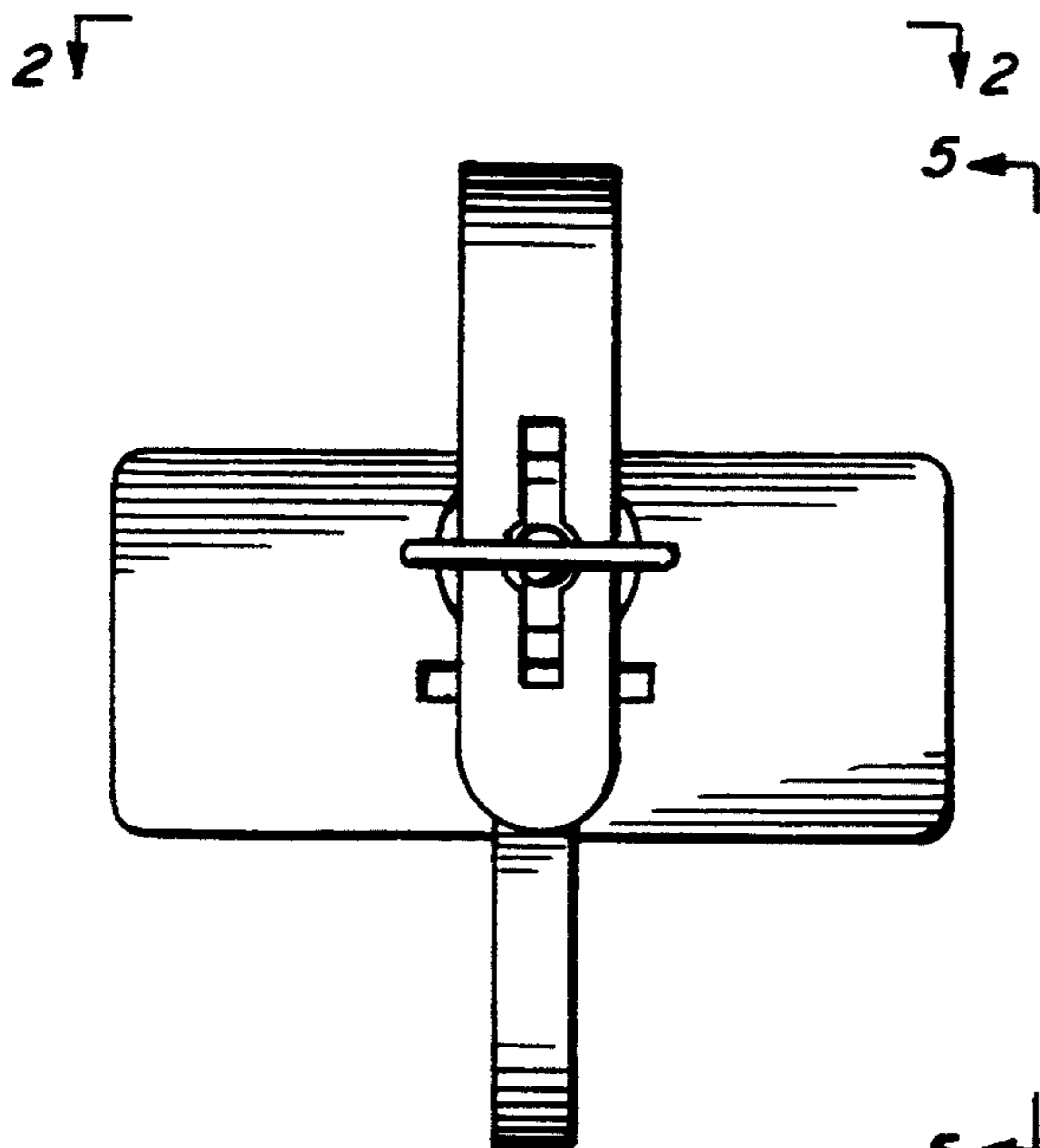


FIG. 3

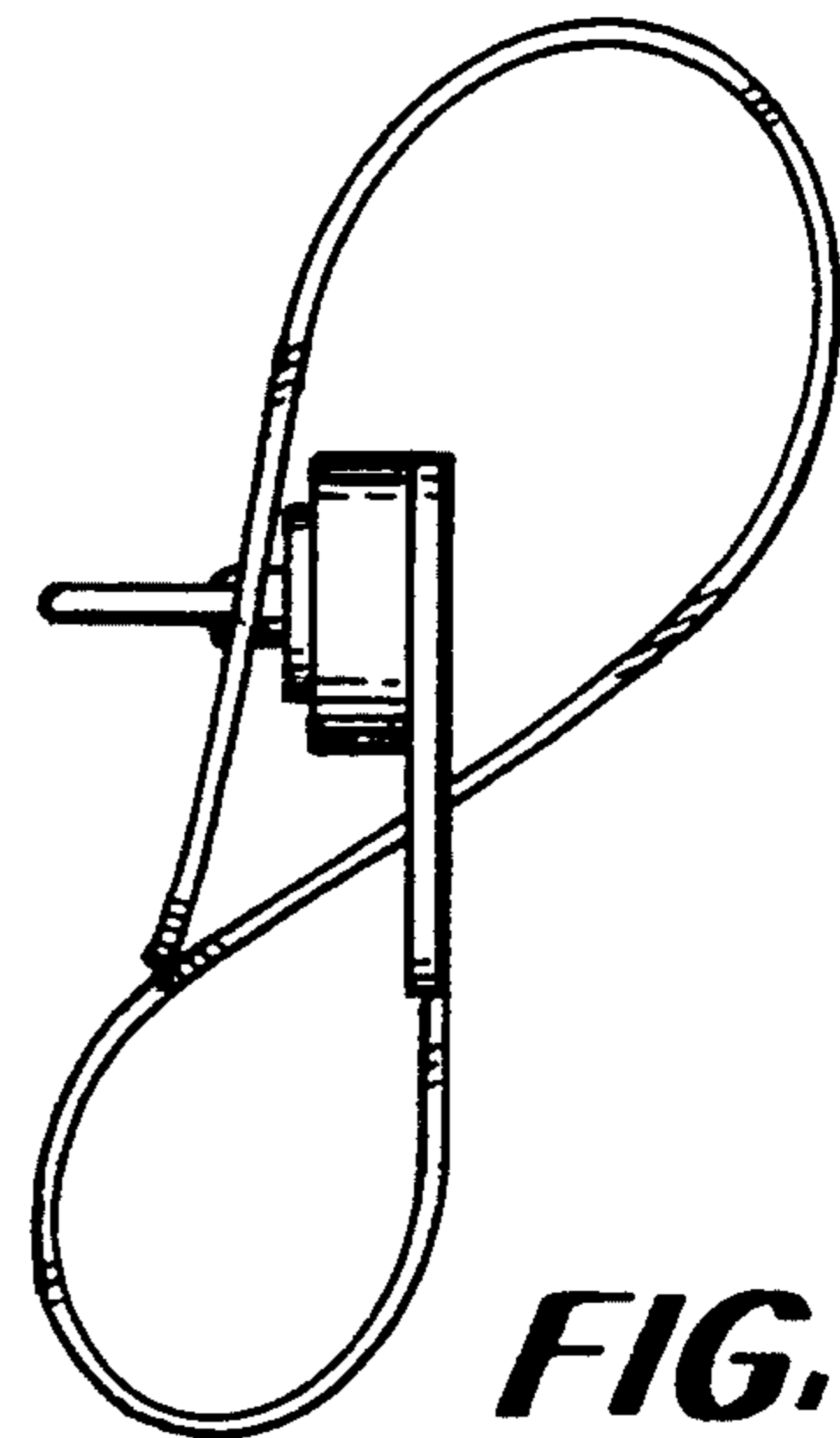


FIG. 5

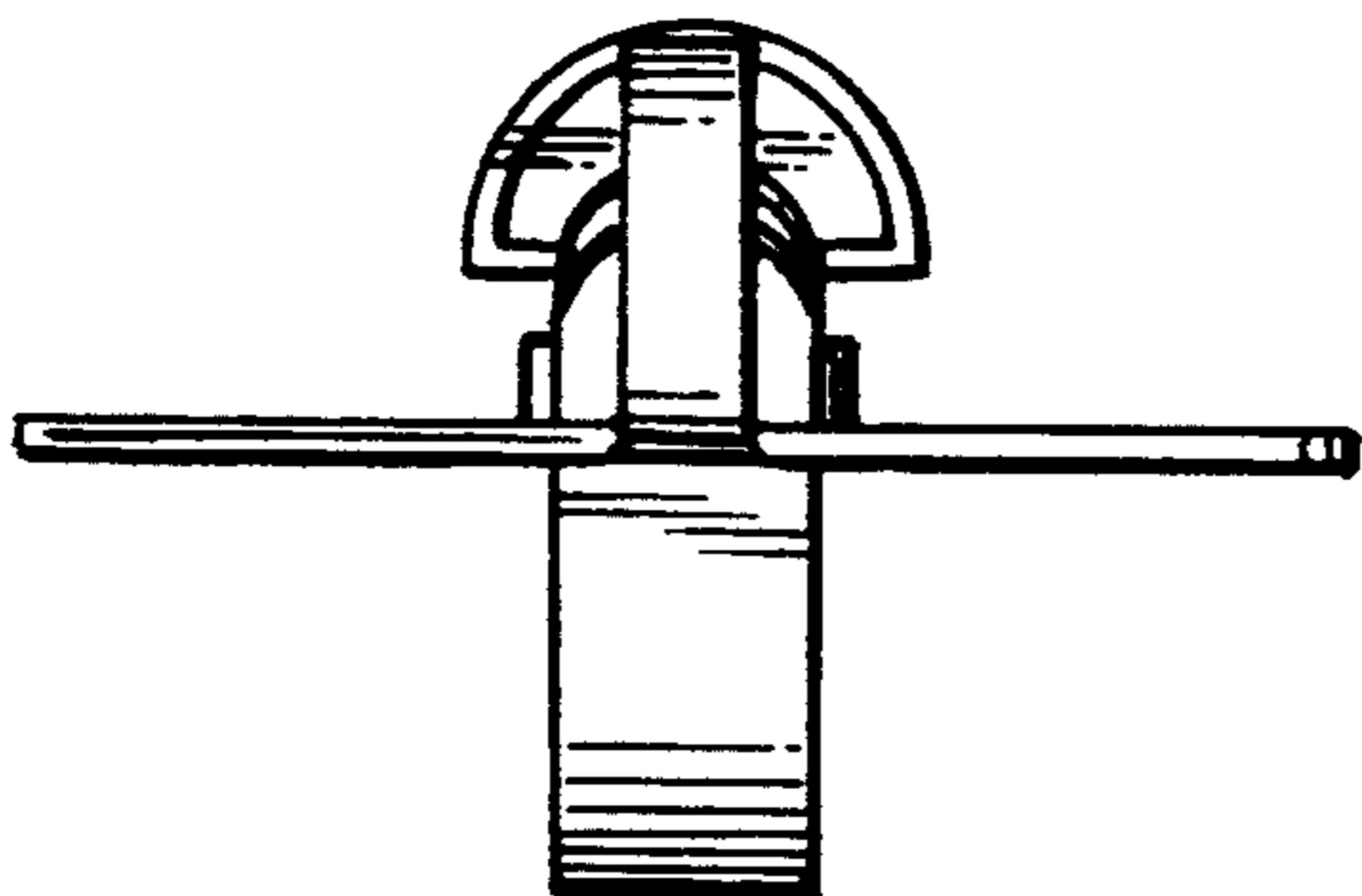


FIG. 4

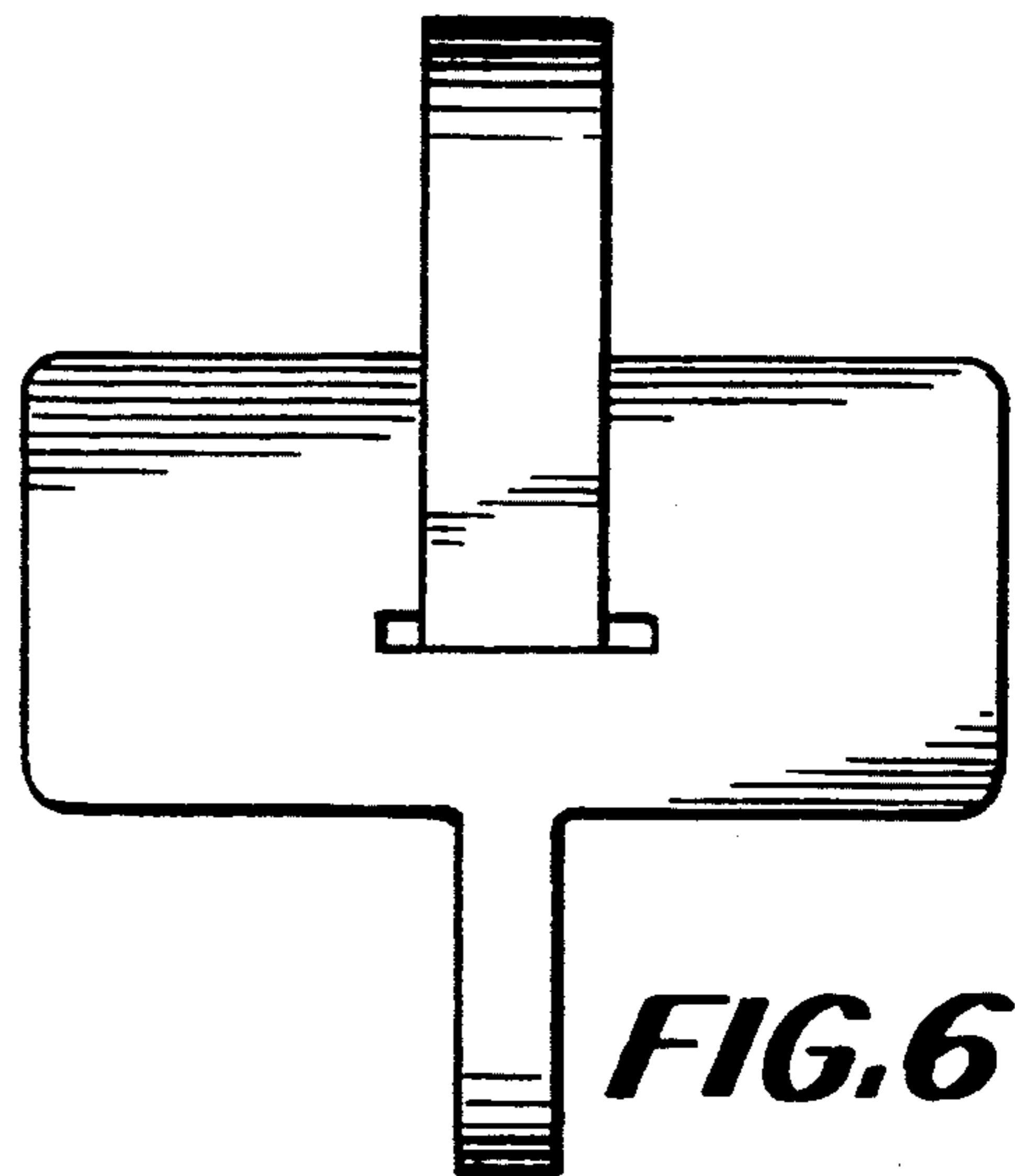


FIG. 6