



US00D350644S

United States Patent [19]

Cameron

[11] Patent Number: Des. 350,644

[45] Date of Patent: ** Sep. 20, 1994

[54] COMBINED HOUSING UNIT AND LID FOR TAPE CARTRIDGES

4,040,518 8/1977 Cameron 206/387

[75] Inventor: James L. Cameron, Glenbrook, Australia

Primary Examiner—A. Hugo Word
Assistant Examiner—Celia A. Murphy
Attorney, Agent, or Firm—Fitch, Even, Tabin & Flannery

[73] Assignee: Omega Date Furniture Pty Limited ACN, Penrith, Australia

[57] CLAIM

[**] Term: 14 Years

The ornamental design for a combined housing unit and lid for tape cartridges, as shown.

[21] Appl. No.: 930,236

DESCRIPTION

[22] Filed: Aug. 13, 1992

[30] Foreign Application Priority Data

FIG. 1 is a perspective view of a combined housing unit and lid for tape cartridges showing my new design; FIG. 2 is a perspective view of lid; FIG. 3 is a left hand side elevational view of lid, the right hand side being a mirror image thereof; FIG. 4 is a front elevational view of lid; FIG. 5 is a rear elevational view of lid; FIG. 6 is a plan view of lid; FIG. 7 is a bottom plan view of lid; FIG. 8 is a perspective view of box; FIG. 9 is a left hand side elevational view of box, the right hand side being a mirror image thereof; FIG. 10 is a front elevational view of box; FIG. 11 is a rear elevational view of box; FIG. 12 is a plan view of box; and, FIG. 13 is a bottom plan view of box.

Feb. 14, 1992 [AU] Australia 337/92

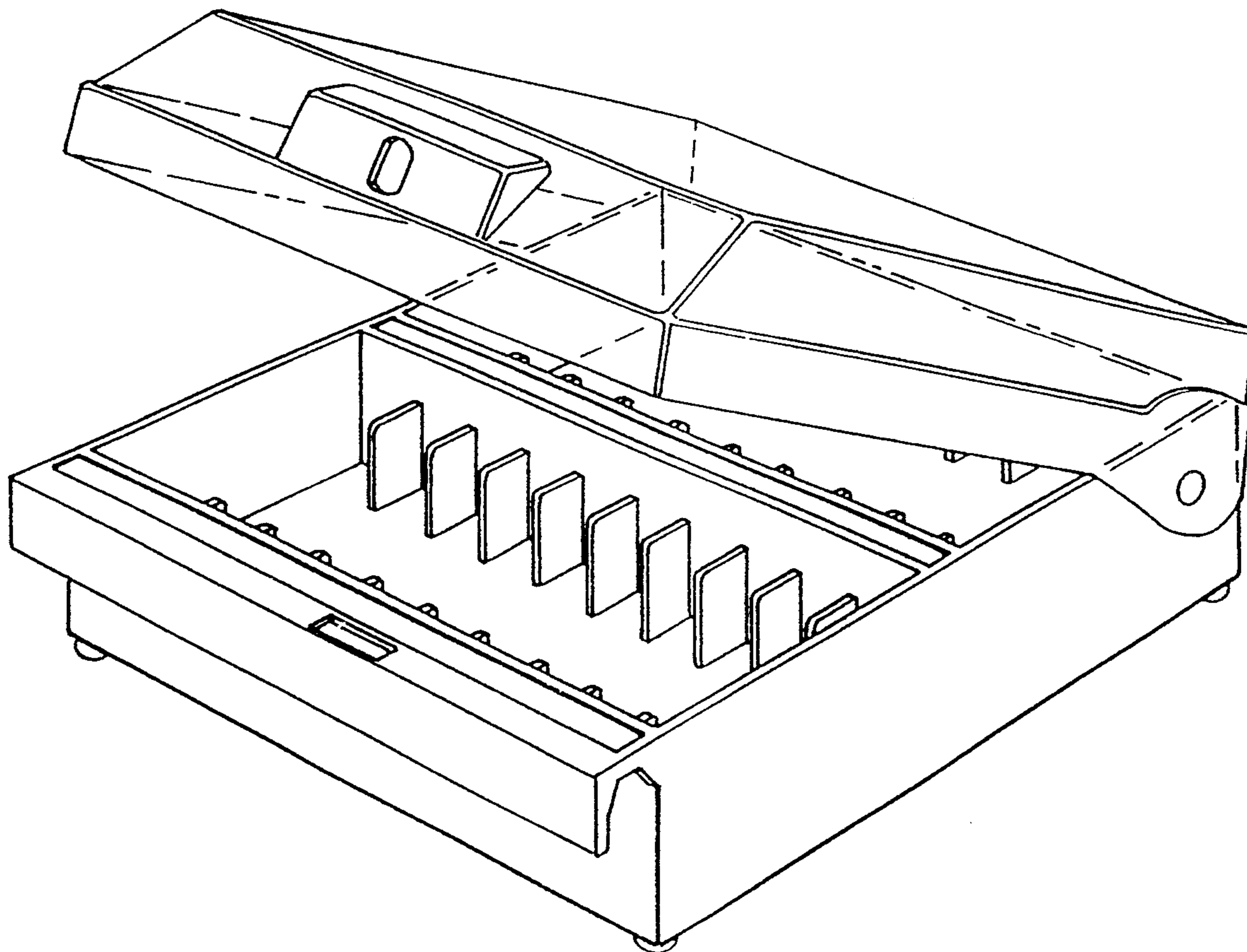
[52] U.S. Cl. D3/631

[58] Field of Search D3/30.1, 35, 74; D9/341, 423, 341; 206/387, 425, 444, 562-564; 312/9.54; D19/75, 76

[56] References Cited

U.S. PATENT DOCUMENTS

- D. 285,215 8/1986 Roskovist D19/76
- D. 288,145 2/1987 Northrup D3/35
- D. 288,982 3/1987 Talopp D3/35
- D. 296,154 6/1988 Egly D3/35
- D. 331,653 7/1993 Hassel et al. D3/35



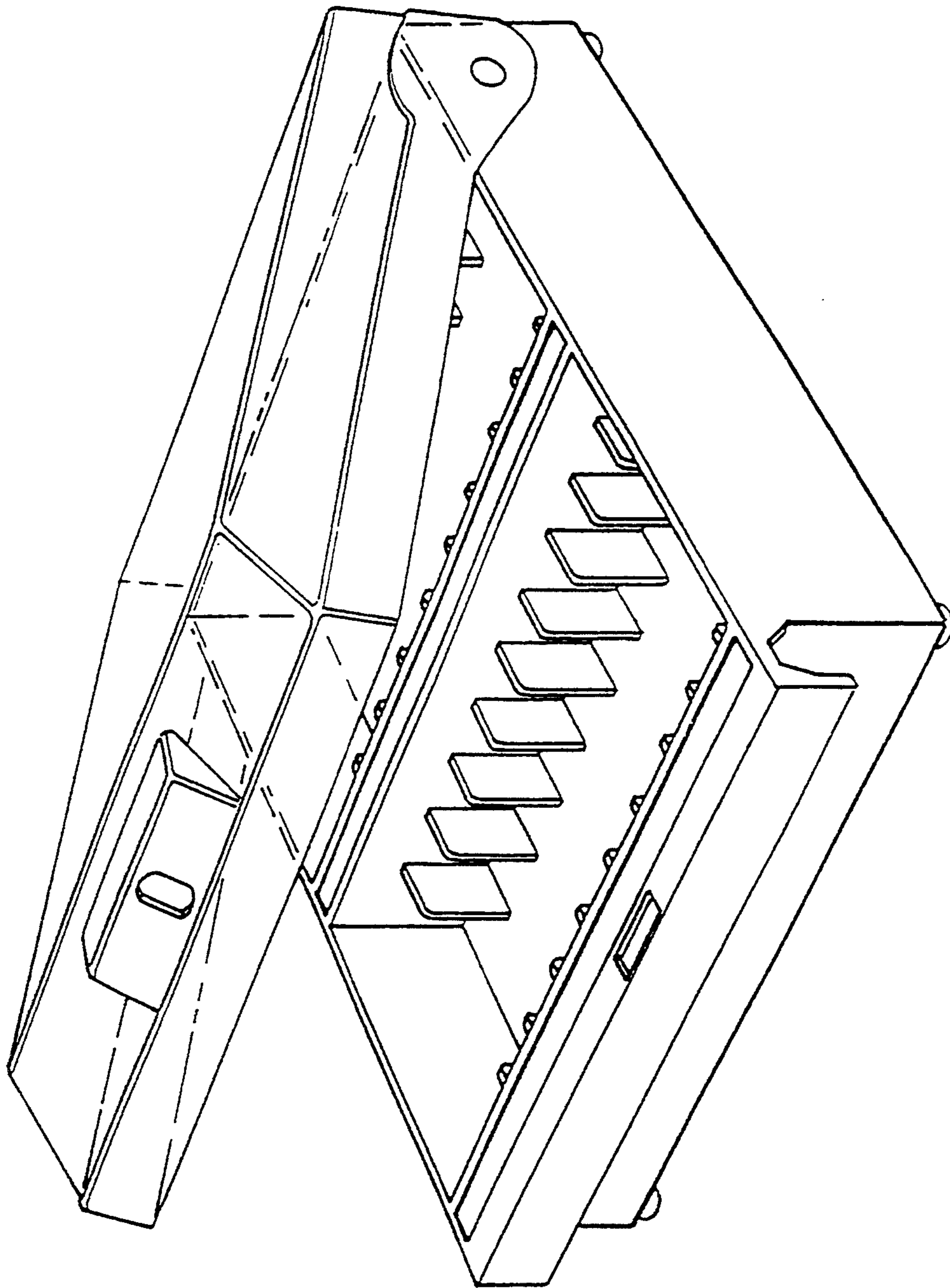


FIG. 1

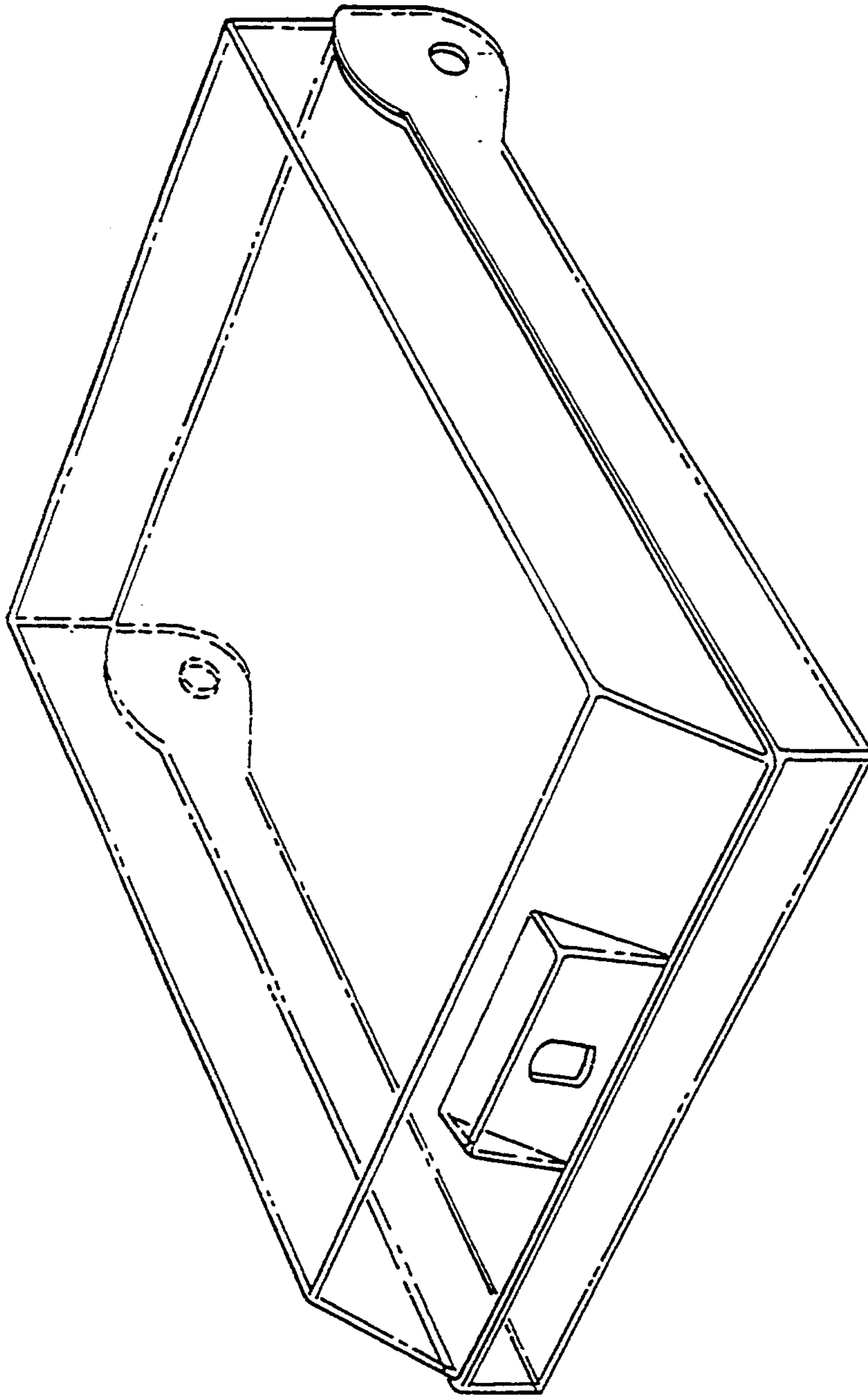


FIG. 2

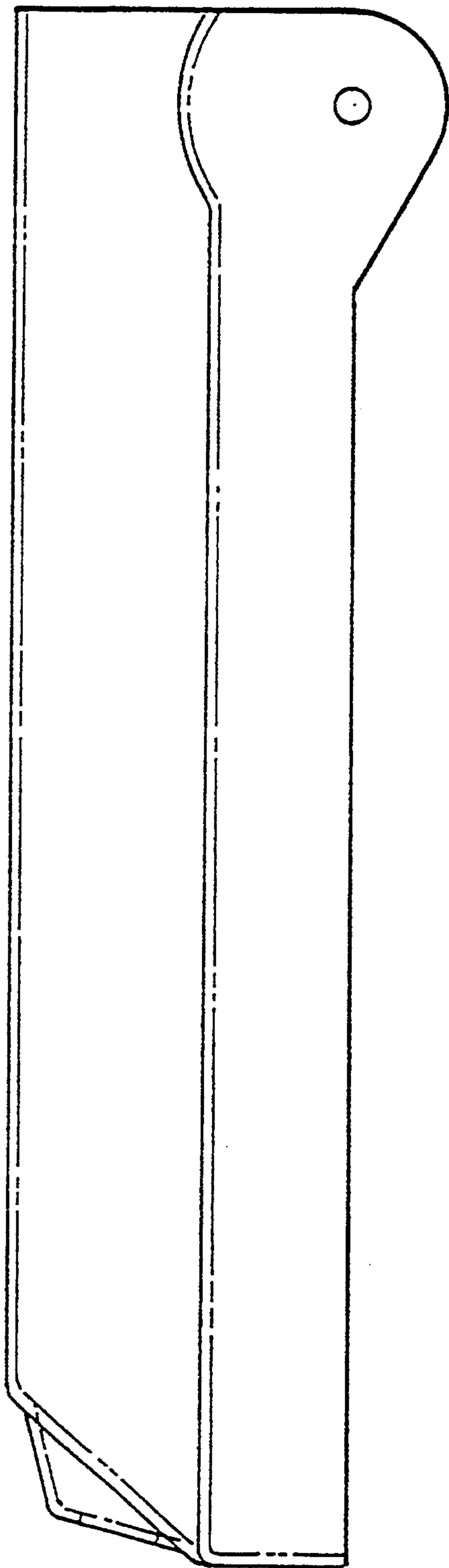


FIG. 3

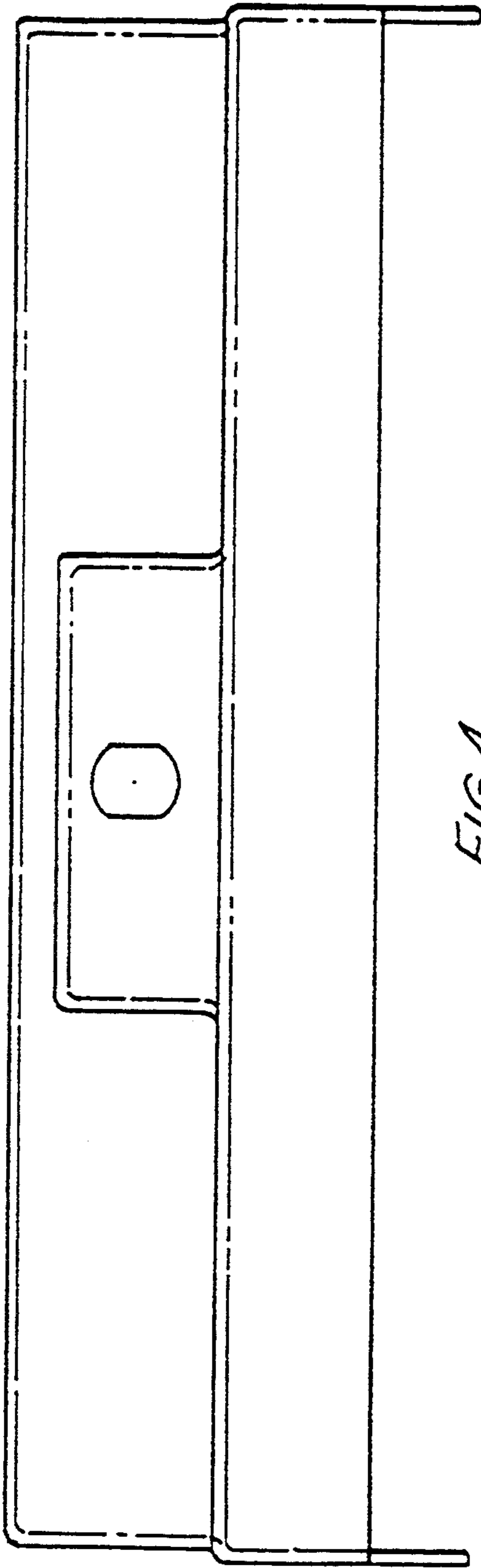


FIG. 4

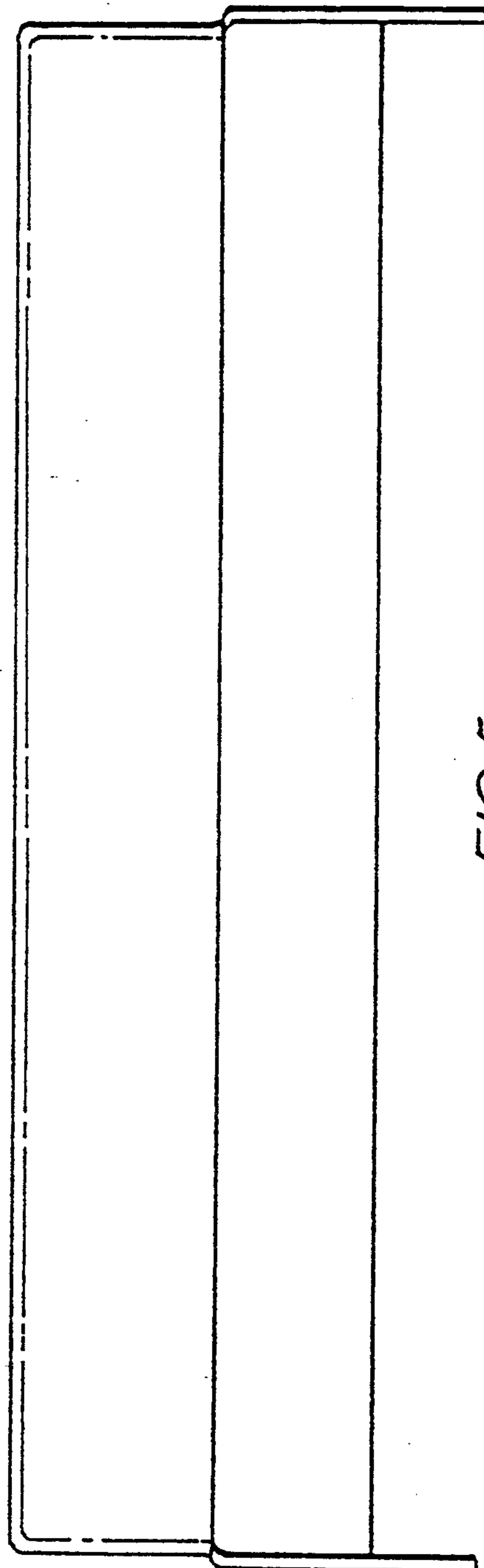


FIG. 5

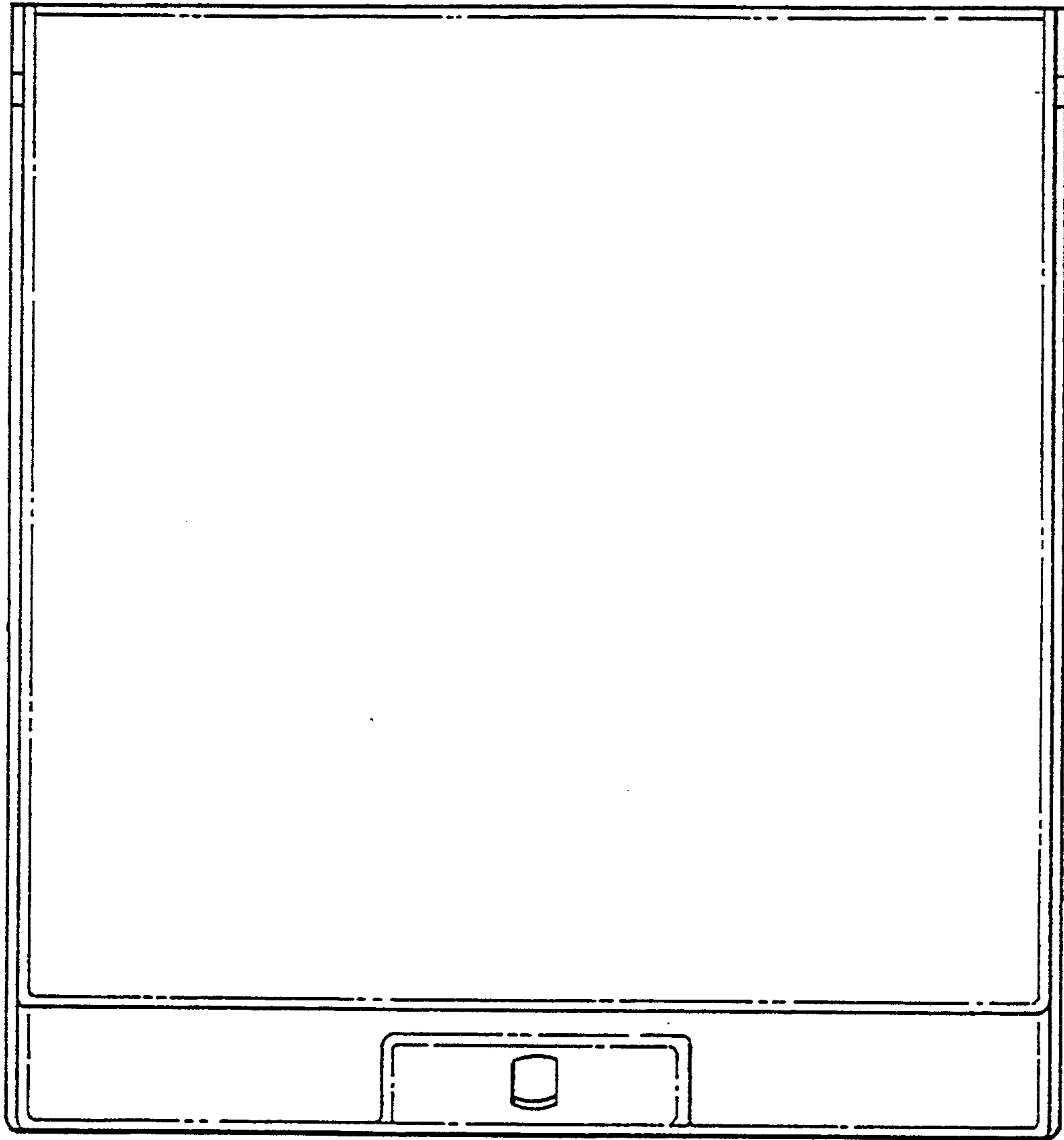


FIG. 6

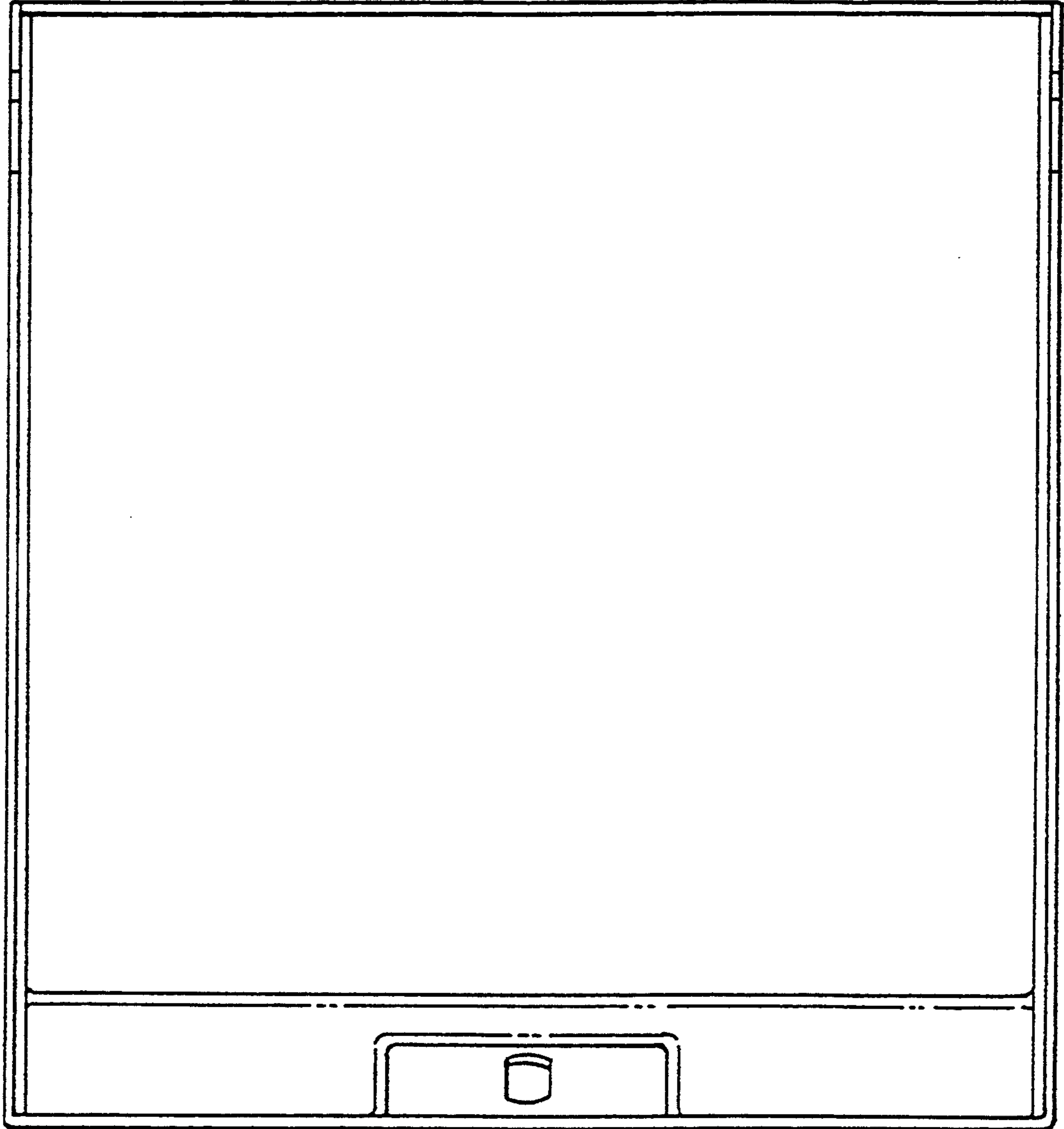


FIG. 7

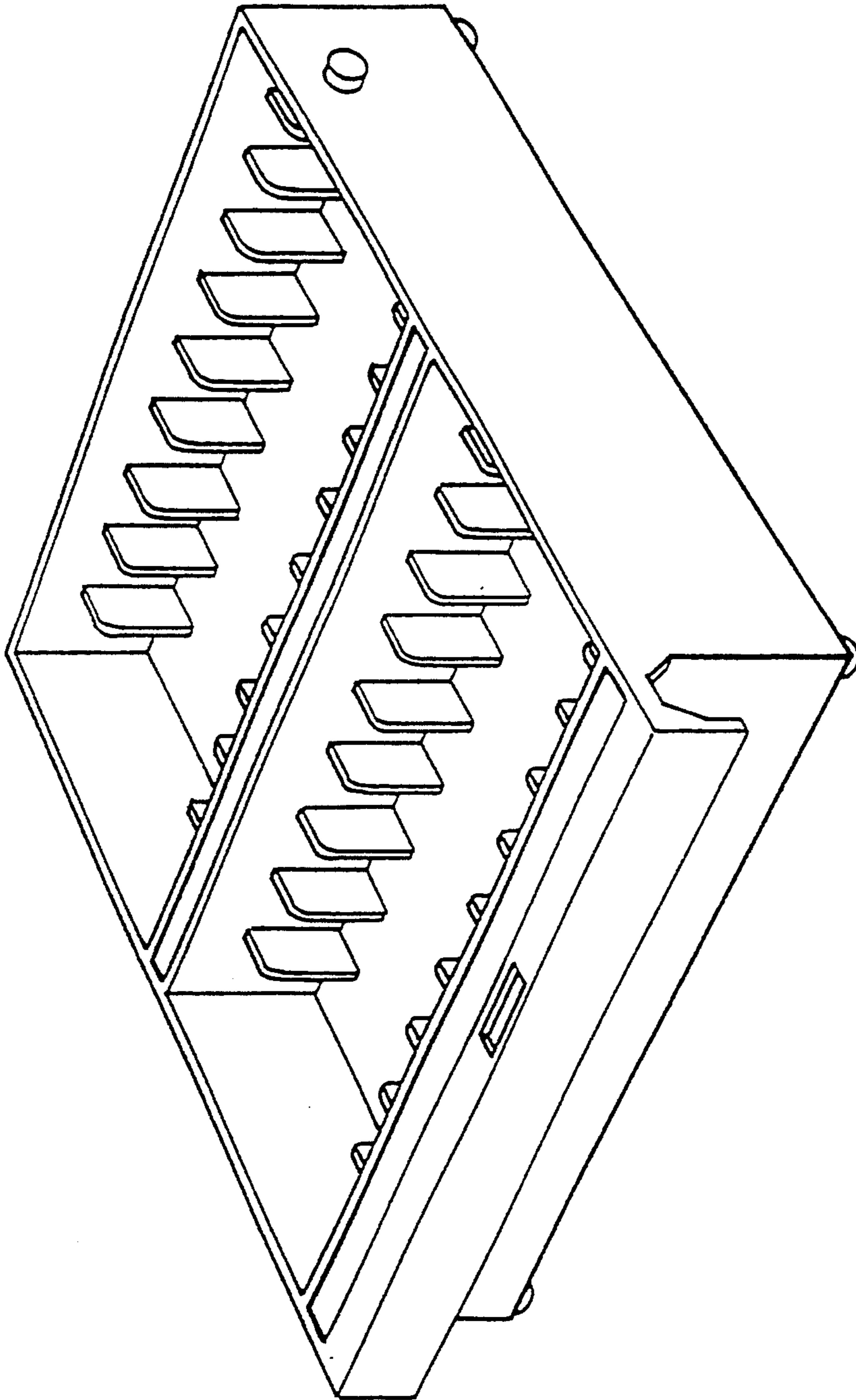


FIG. 8

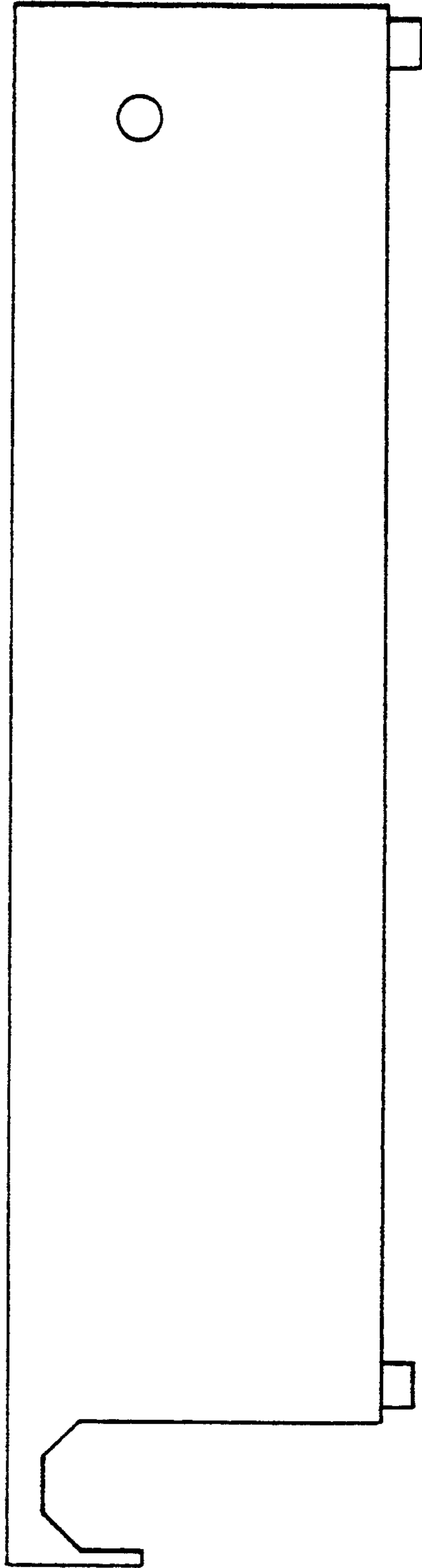


FIG. 9

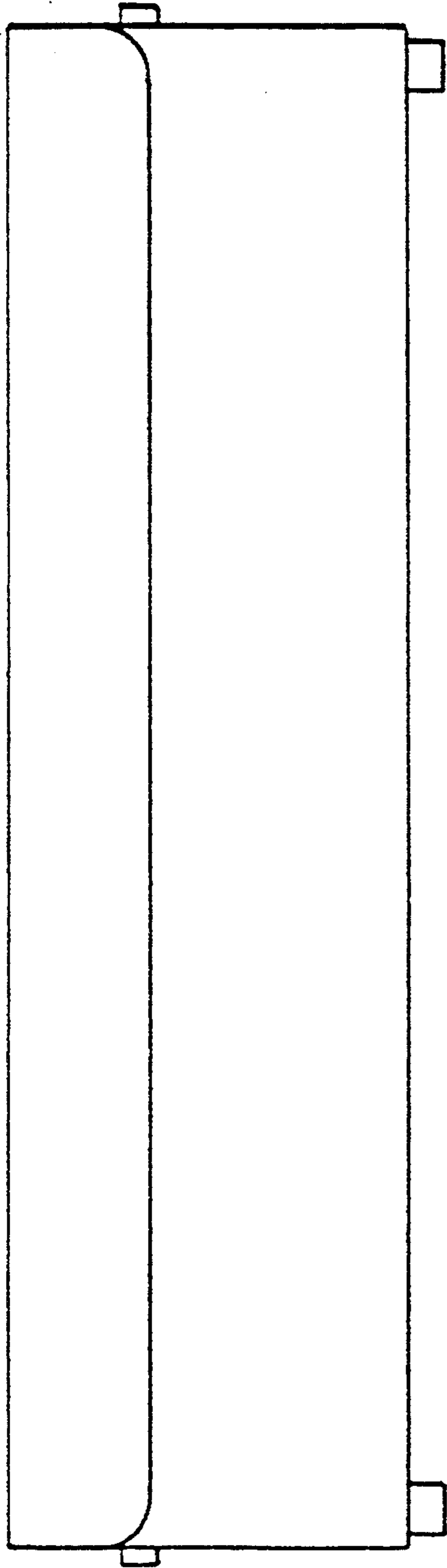


FIG. 10

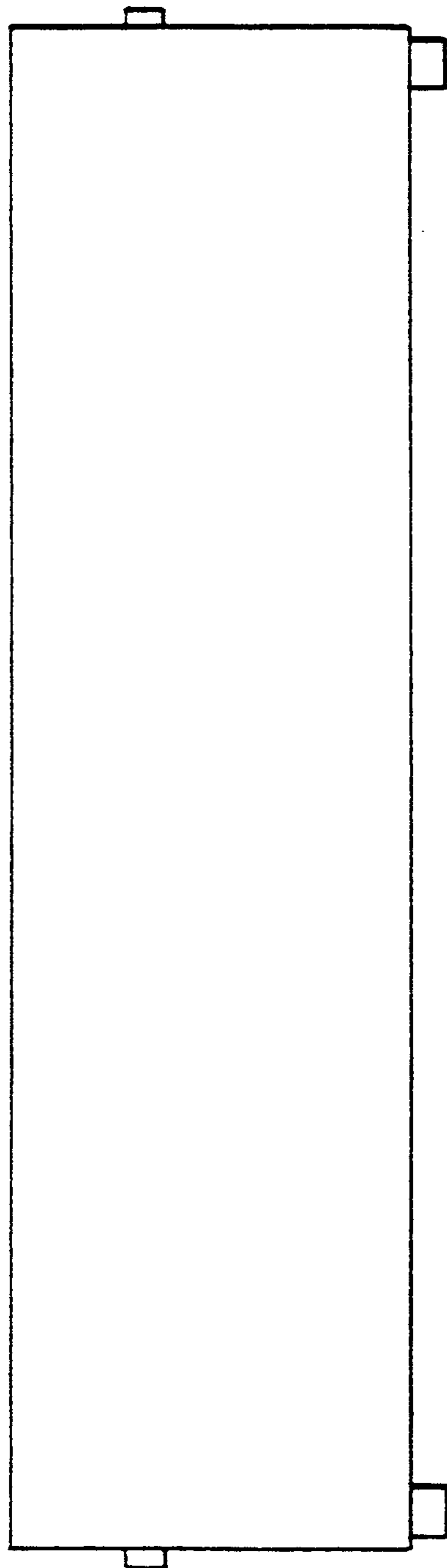


FIG. 11

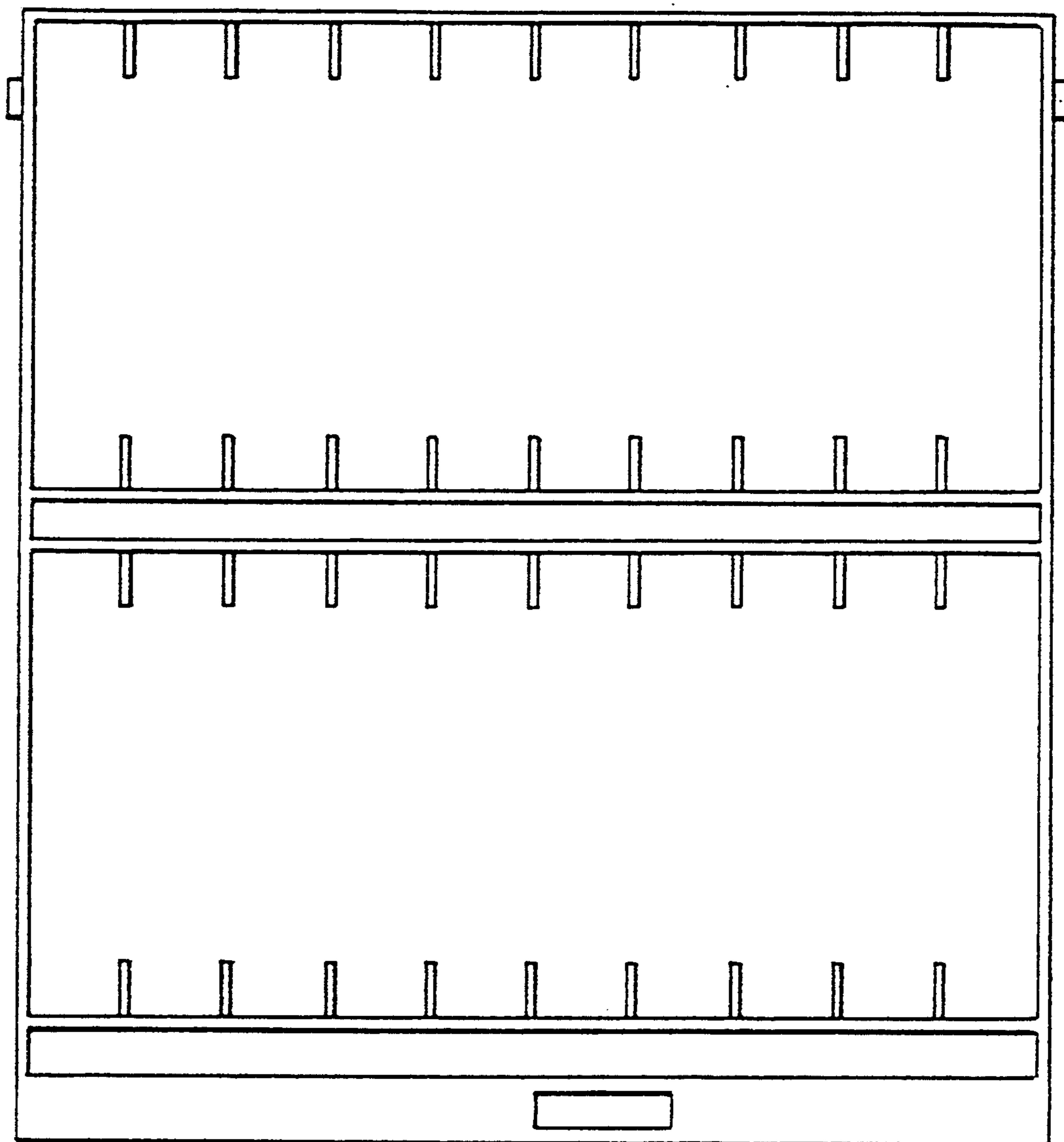


FIG. 12

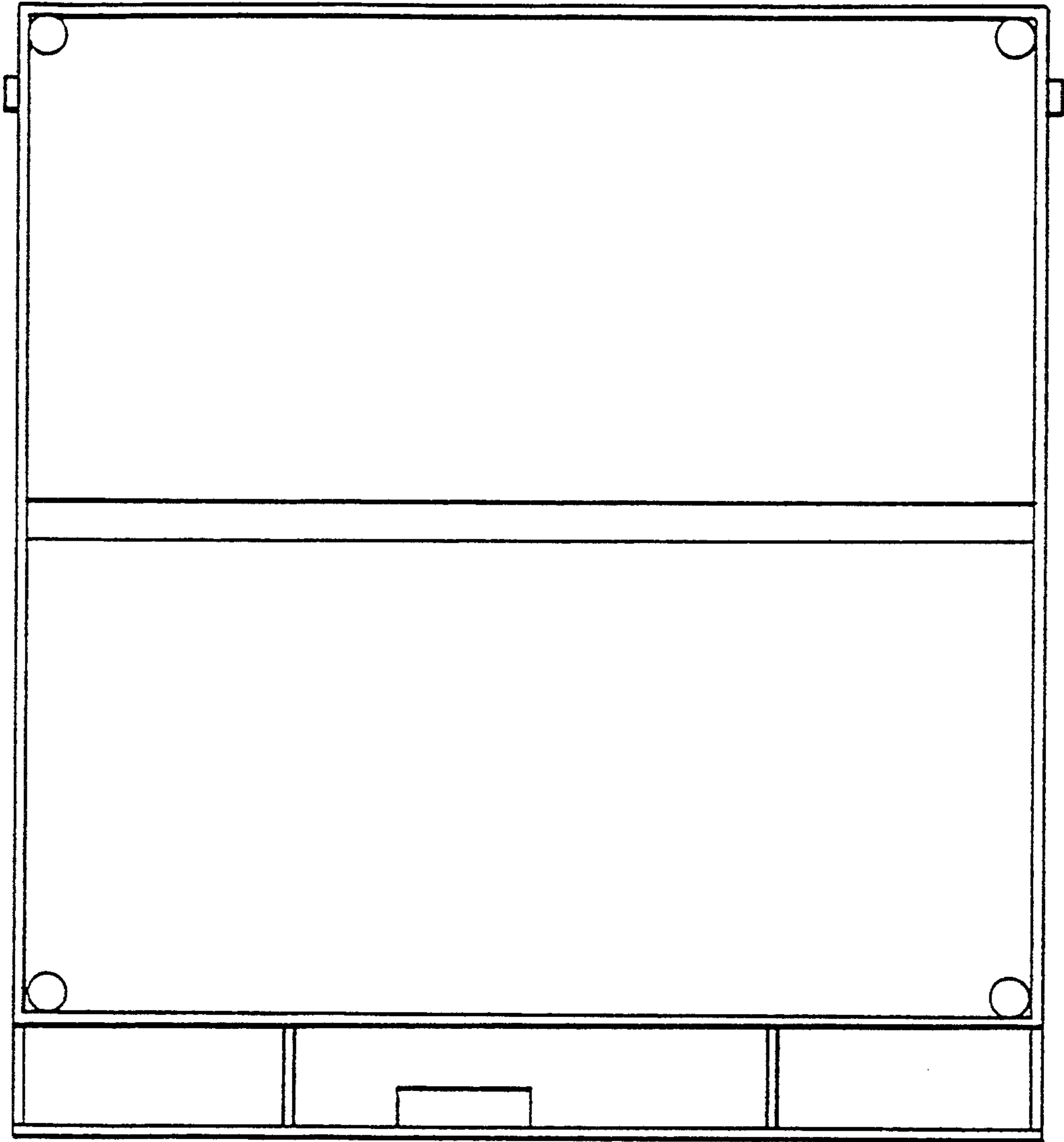


FIG. 13