



US00D350643S

# United States Patent [19]

De Marco

[11] Patent Number: **Des. 350,643**

[45] Date of Patent: **\*\* Sep. 20, 1994**

[54] **IMPROVED OUTDOOR UMBRELLA**

[76] Inventor: **Joseph H. De Marco**, 60 Seaman Ave., New York, N.Y. 10034

[\*\*] Term: **14 Years**

[21] Appl. No.: **7,827**

[22] Filed: **May 4, 1993**

[52] U.S. Cl. .... **D3/5**

[58] Field of Search ..... **D3/5-7, D3/10-17; 135/15.1, 16, 17, 18, 19.5, 98, 910, 25.1-25.3**

[56] **References Cited**

**U.S. PATENT DOCUMENTS**

39,777 9/1863 Pullan ..... 135/98

D. 45,256 2/1914 Follmer ..... D3/5  
D. 162,617 3/1951 Benivegna ..... D3/5  
1,457,679 6/1923 Vincent ..... 135/19.5

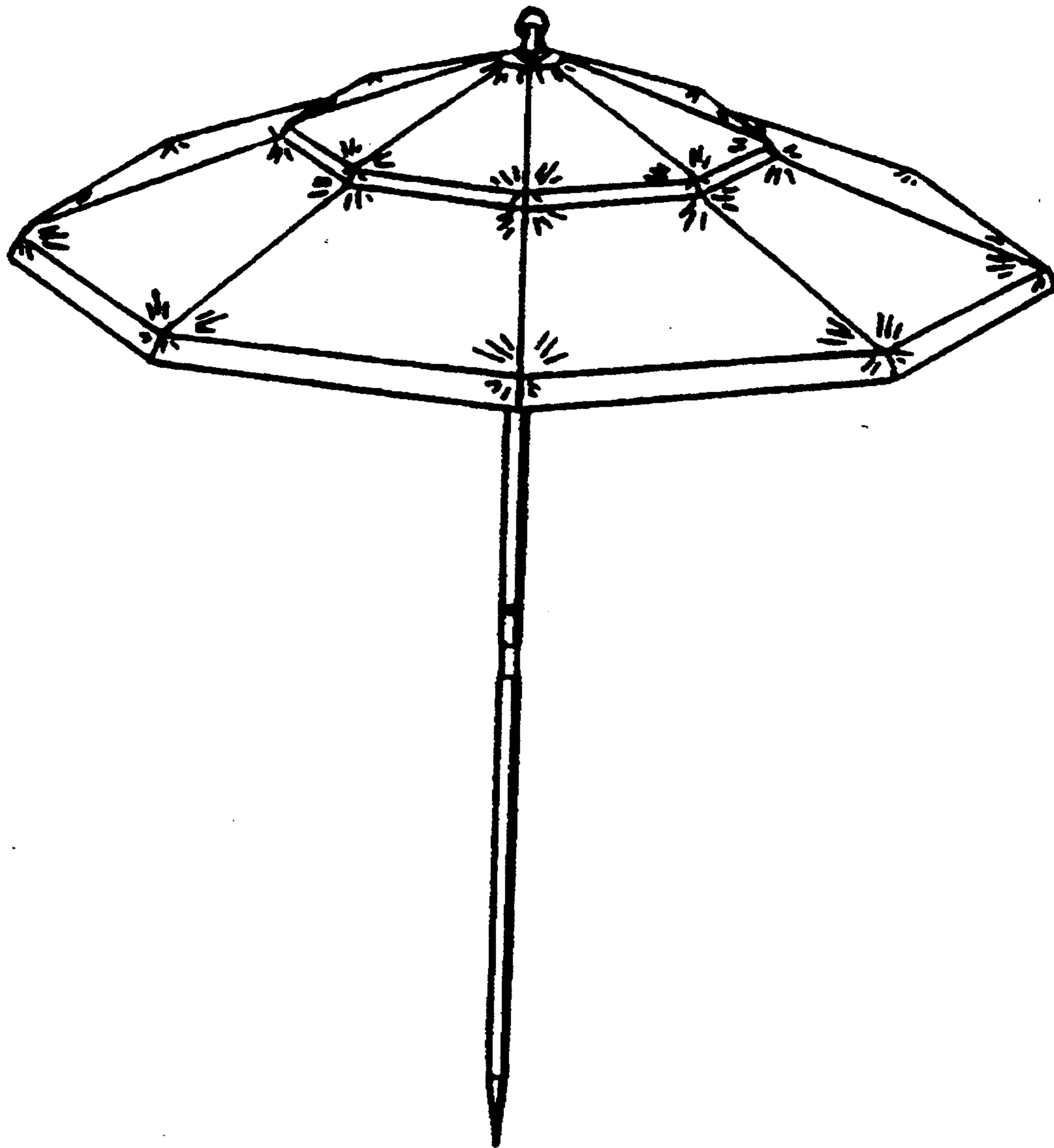
*Primary Examiner*—Louis S. Zarfes

[57] **CLAIM**

The ornamental design for improved outdoor umbrella, as shown and described.

**DESCRIPTION**

FIG. 1 is a perspective view of improved outdoor umbrella showing my new design;  
FIG. 2 is a top plan view thereof;  
FIG. 3 is a right side elevational view thereof;  
FIG. 4 is a front elevational view thereof;  
FIG. 5 is a rear elevational view thereof;  
FIG. 6 is a bottom plan view thereof; and,  
FIG. 7 is a left side elevational view thereof.



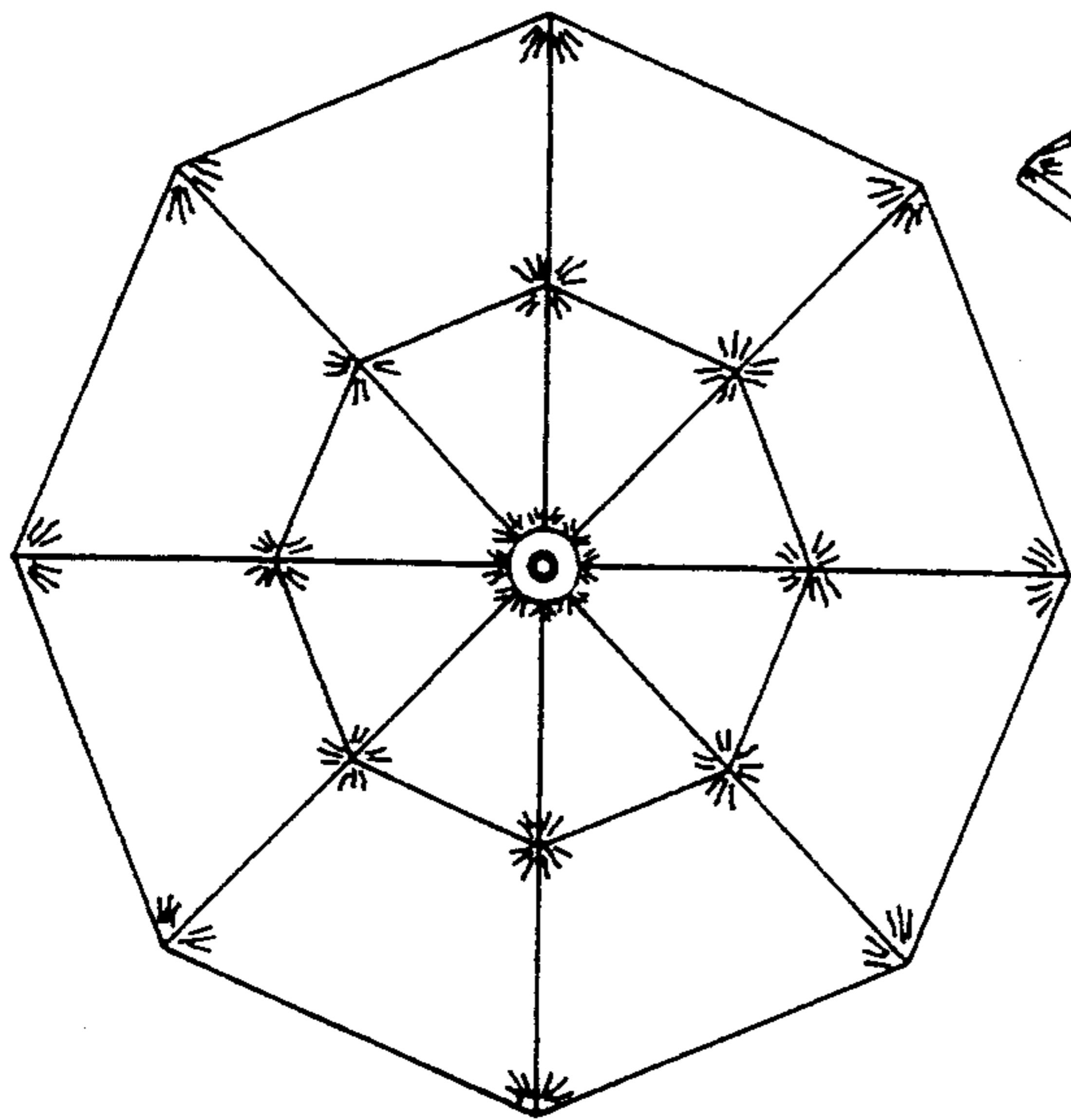


Fig. 2

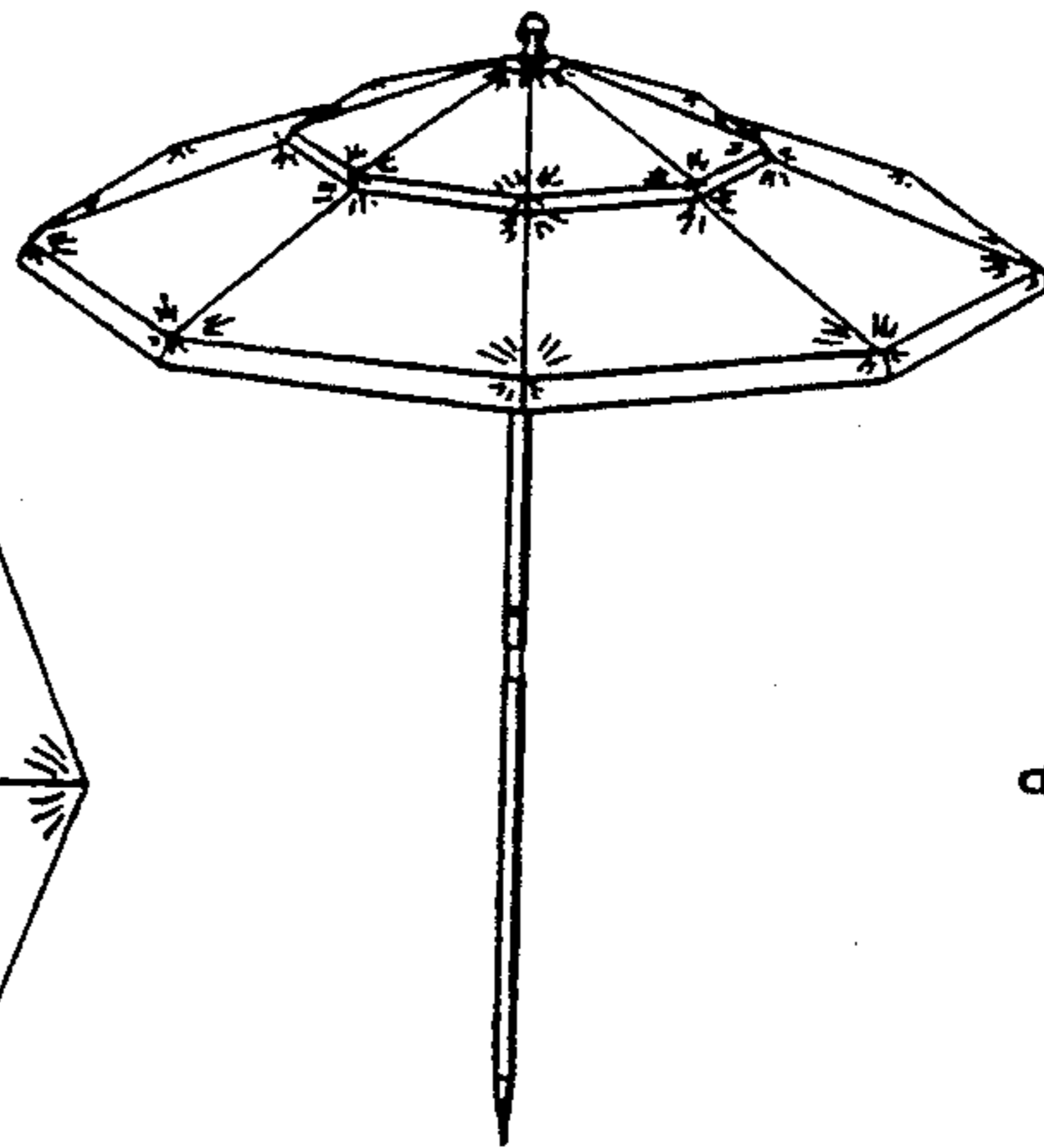


Fig. 1

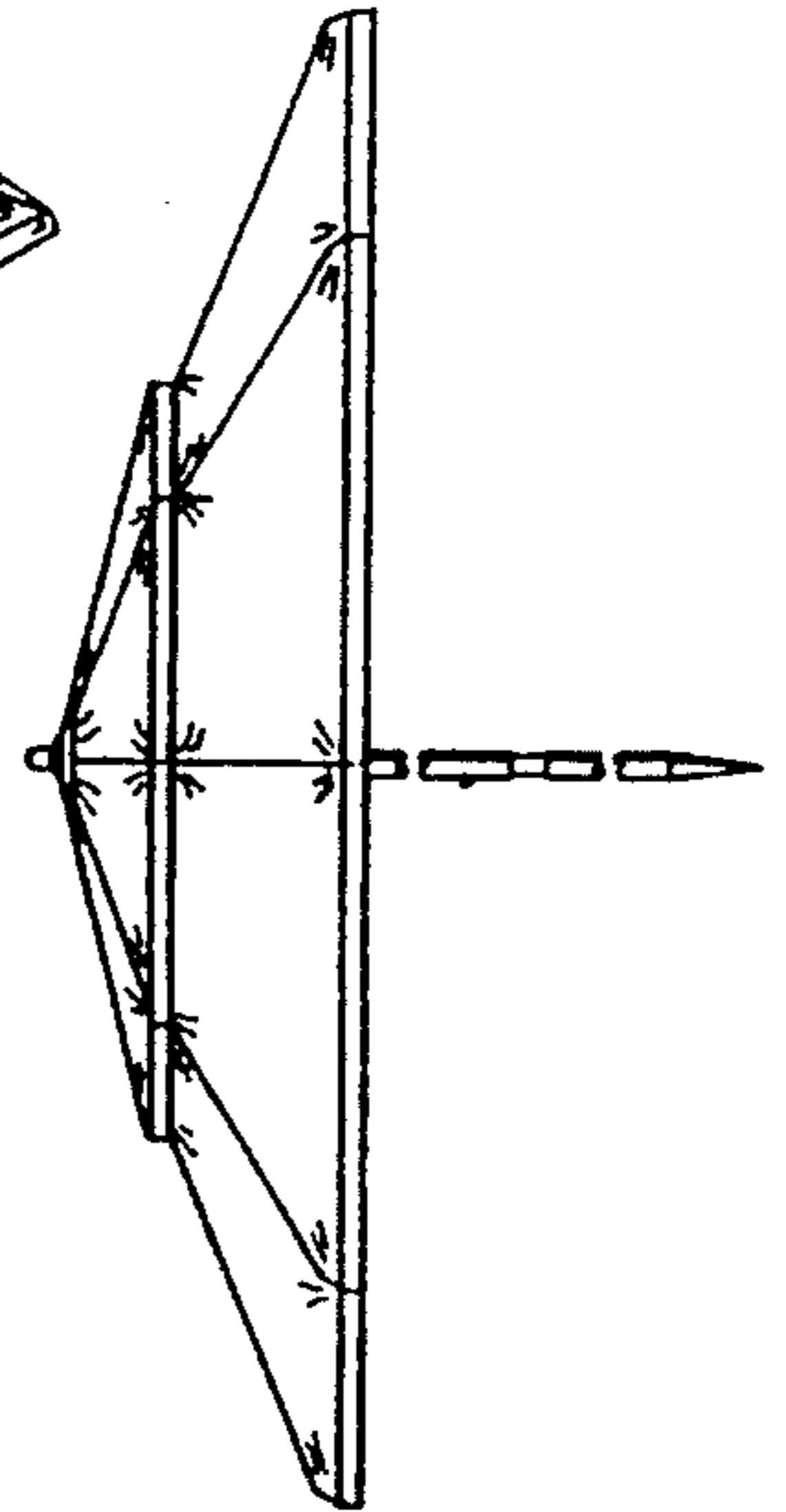


Fig. 3

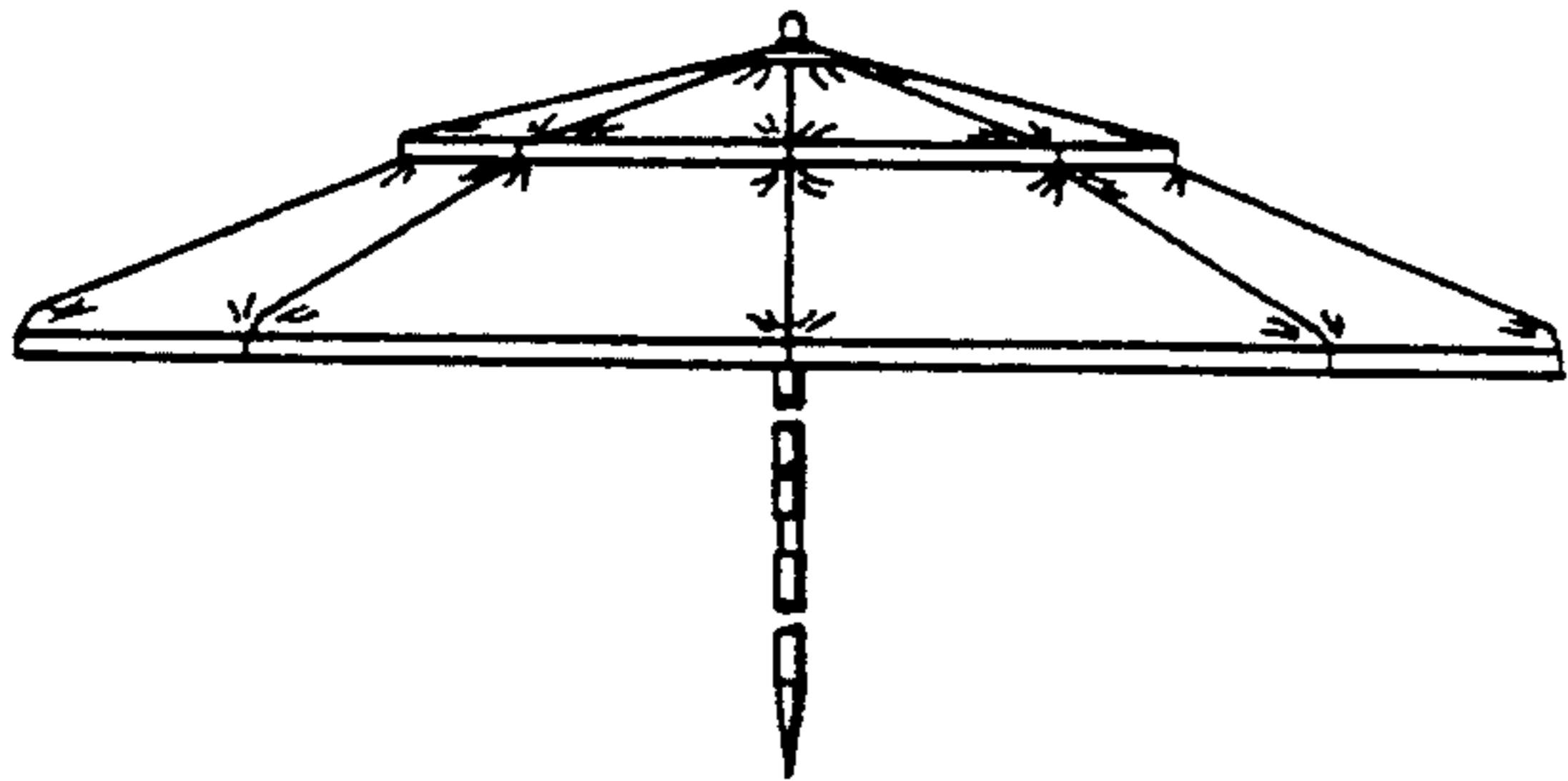


Fig. 4

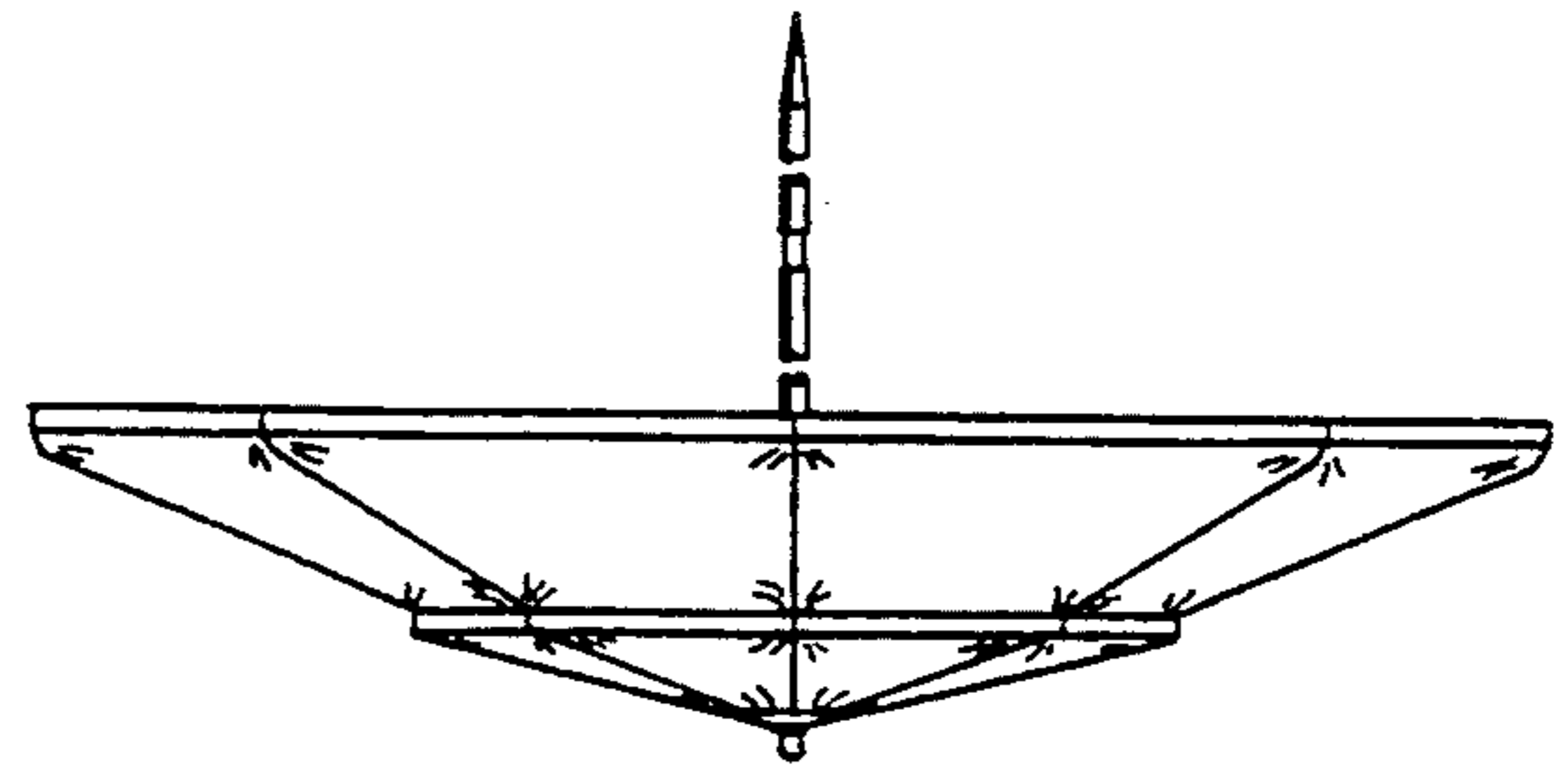


Fig. 5

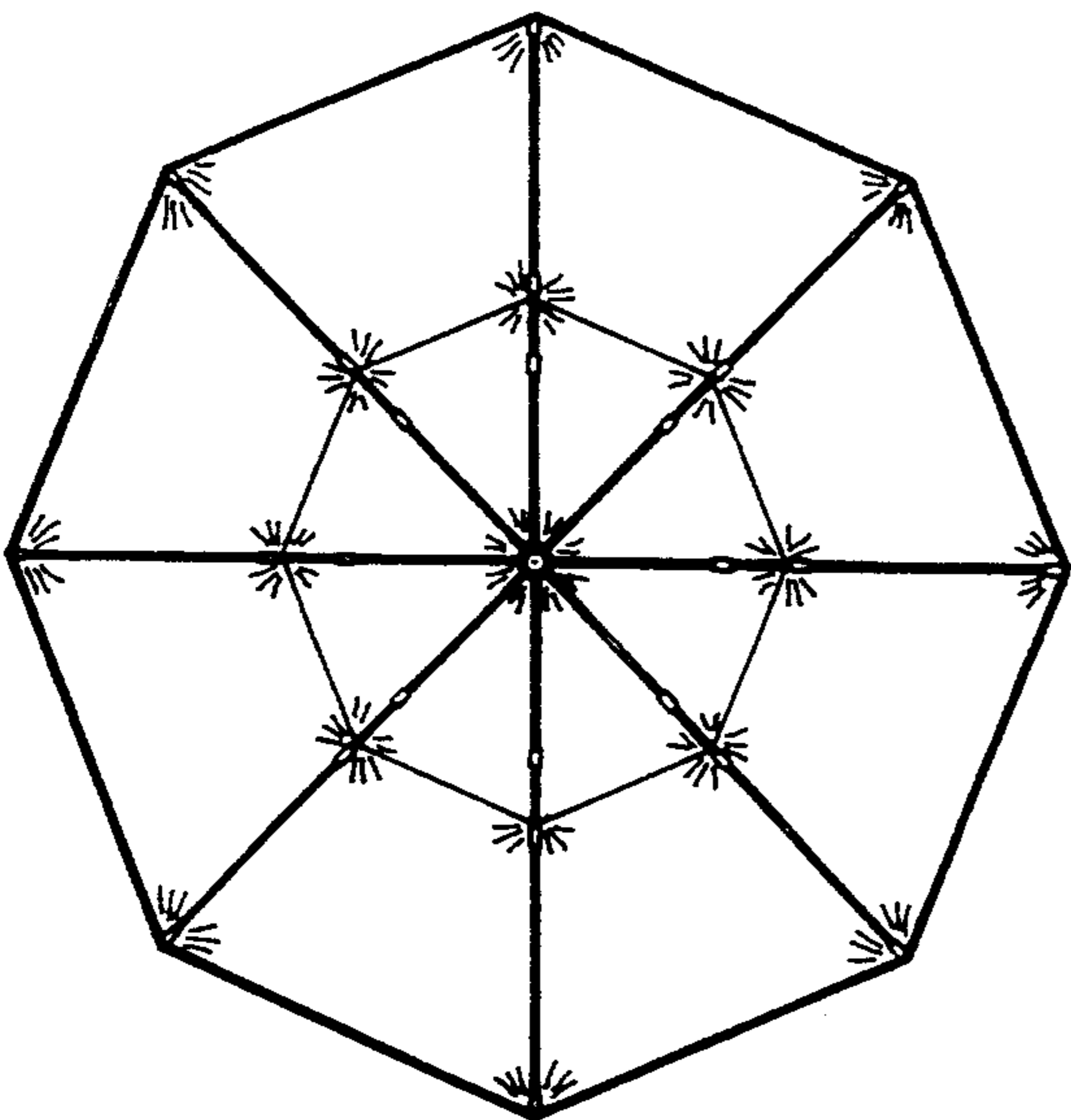


Fig. 6

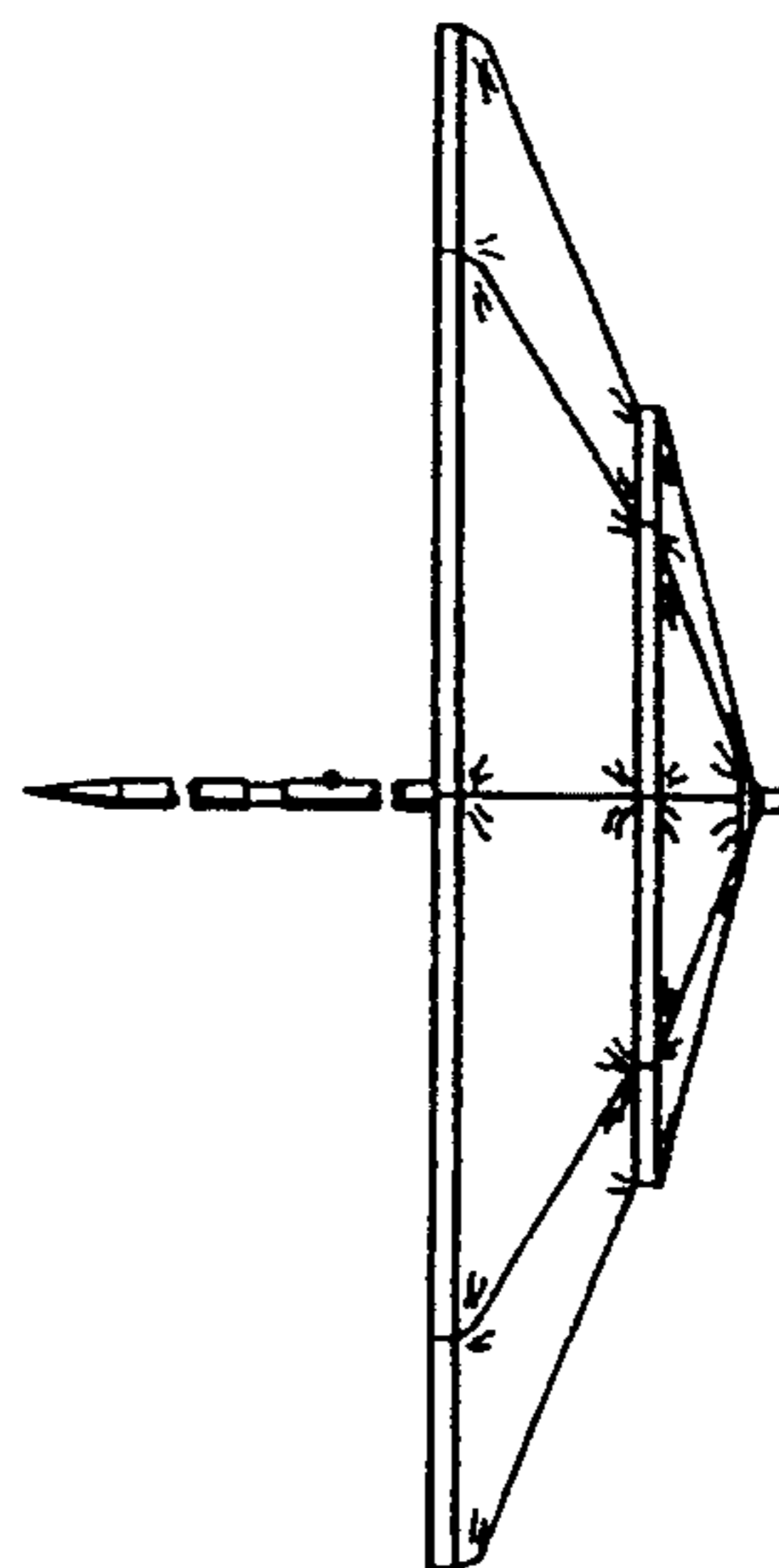


Fig. 7