



US00D350633S

United States Patent [19] Wong

[11] Patent Number: **Des. 350,633**

[45] Date of Patent: **** Sep. 13, 1994**

- [54] **SHOE DRYER**
- [75] Inventor: **Joseph F. Wong, Hong Kong, Hong Kong**
- [73] Assignee: **Motor Electric Manufacturing Co., Ltd., Hong Kong, Hong Kong**
- [**] Term: **14 Years**
- [21] Appl. No.: **909,769**
- [22] Filed: **Jul. 7, 1992**
- [52] U.S. Cl. **D32/59**
- [58] Field of Search **D2/314.1; 34/103, 104; 36/1, 2.6; 223/113, 114; D32/59**
- [56] **References Cited**
U.S. PATENT DOCUMENTS
 721,270 2/1903 Zeckendorf 36/2.6

- 3,168,753 2/1965 Baas D2/314.1
- 3,360,633 12/1967 Weisberger 36/2.6
- 5,117,565 6/1992 Willenbacher 34/103

Primary Examiner—Wallace R. Burke
Assistant Examiner—Robin Taylor
Attorney, Agent, or Firm—Burns, Doane, Swecker & Mathis

[57] **CLAIM**

The ornamental design for a shoe dryer, as shown and described.

DESCRIPTION

FIG. 1 is the right side view of a shoe dryer showing my new design, the left side view being a mirror image thereof;
 FIG. 2 is the top plan view thereof;
 FIG. 3 is the bottom view thereof; and,
 FIG. 4 is a top perspective view thereof.

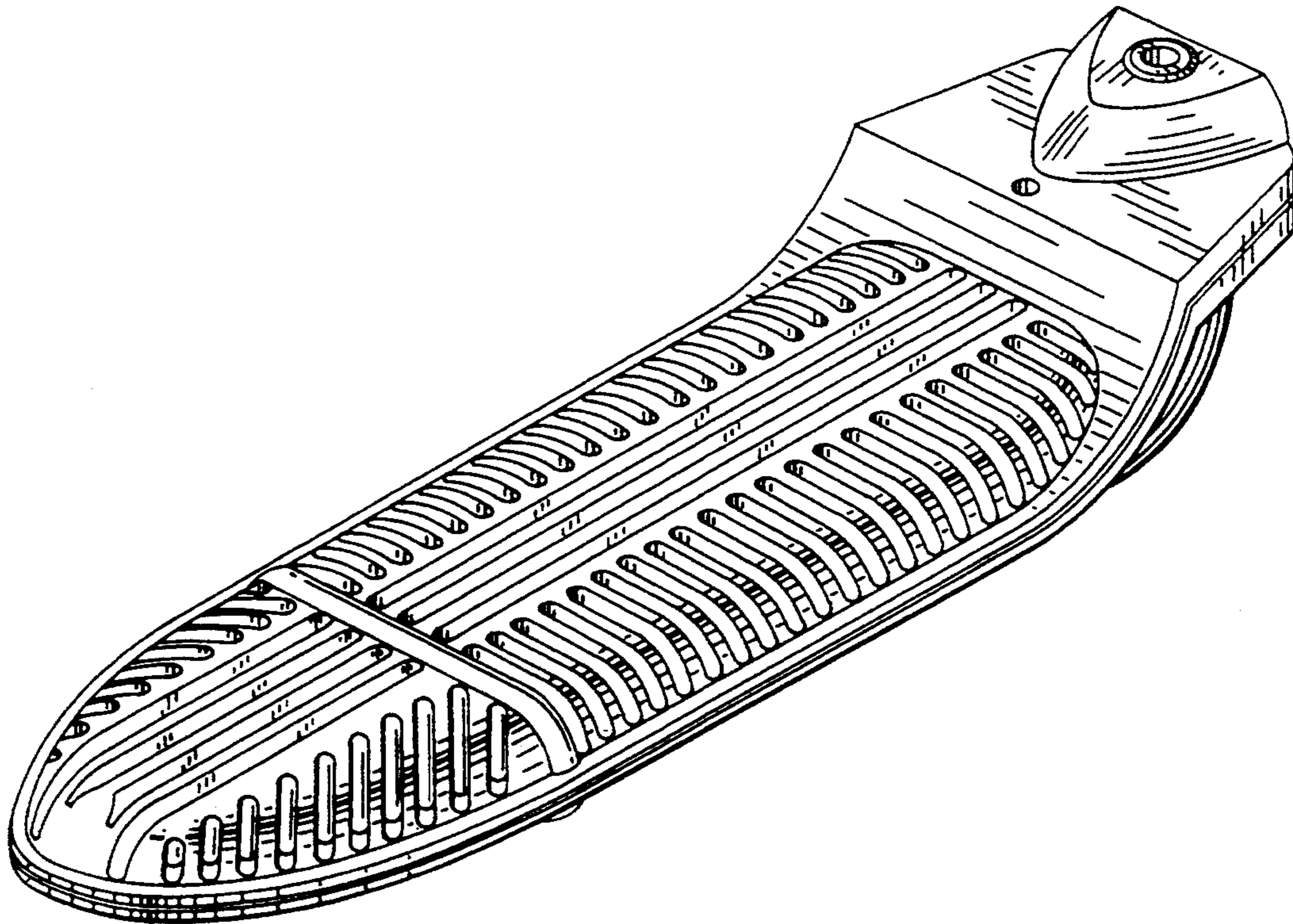


FIG. 1

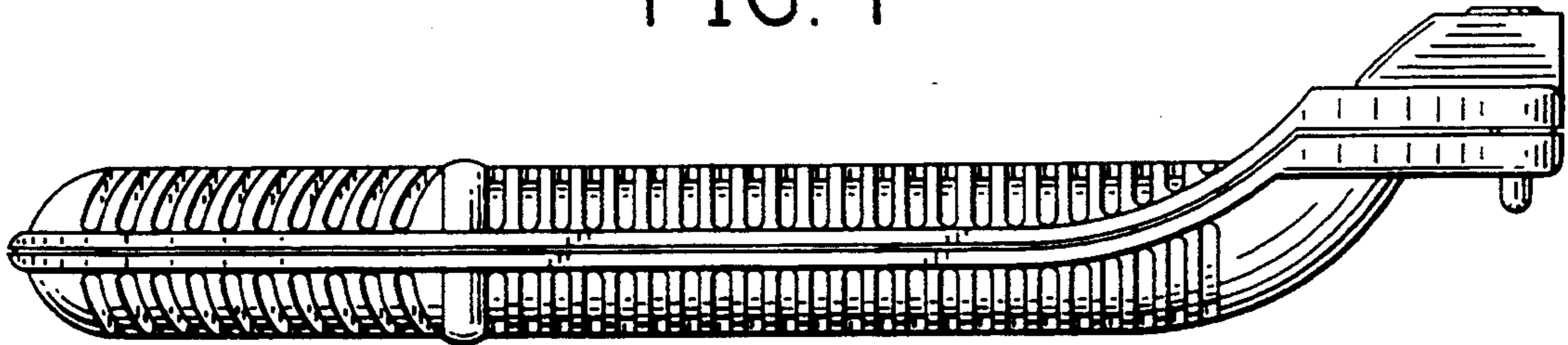


FIG. 2

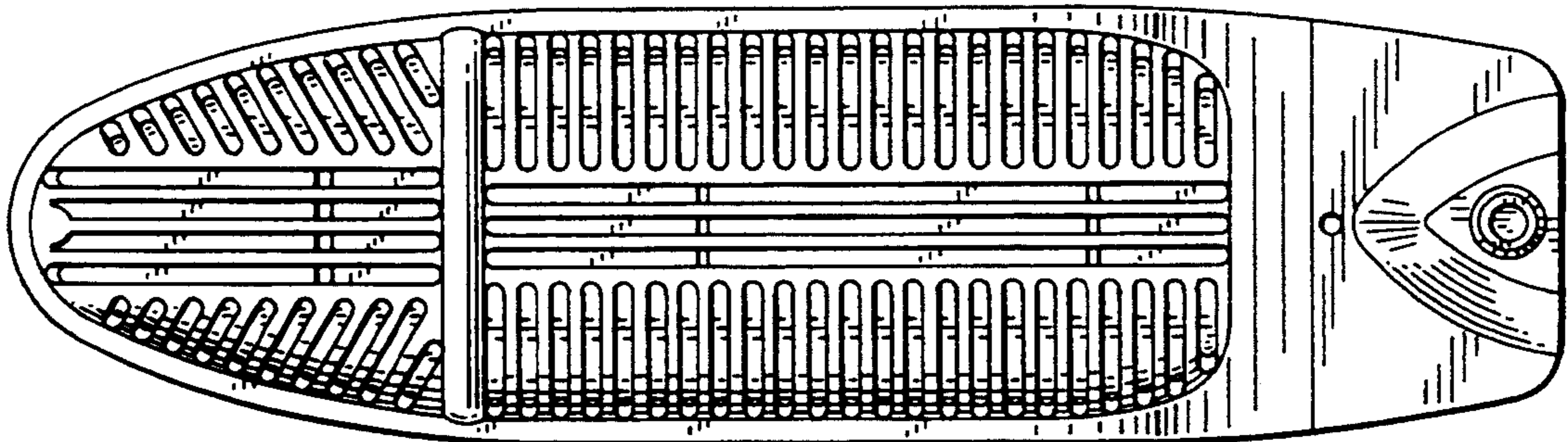


FIG. 3

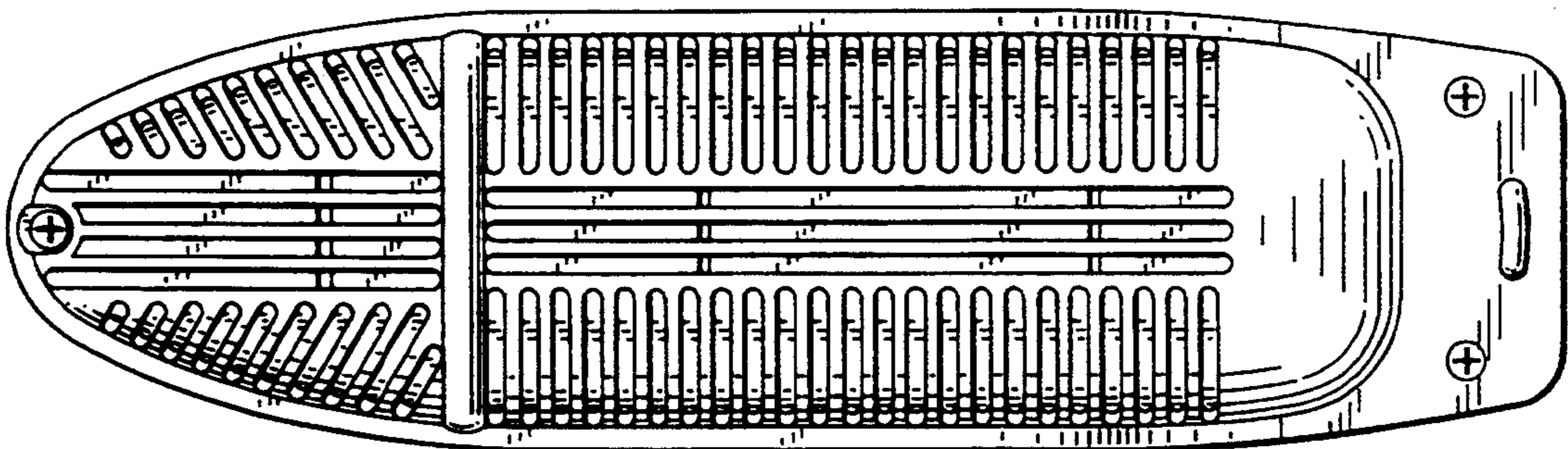


FIG. 4

