



US00D350627S

# United States Patent [19]

[11] Patent Number: **Des. 350,627**

**Moniak**

[45] Date of Patent: **\*\* Sep. 13, 1994**

[54] **BIRD FEEDER**

5,016,571 5/1991 Totaro ..... 119/57.8

[76] Inventor: **Lisa L. Moniak**, 4465 Columbia Blvd., Juneau, Ak. 99801

### FOREIGN PATENT DOCUMENTS

[\*\*] Term: **14 Years**

78810 3/1950 Czechoslovakia ..... 119/61  
3822681 2/1989 Fed. Rep. of Germany .  
2126864 4/1984 United Kingdom .

[21] Appl. No.: **14,079**

### OTHER PUBLICATIONS

[22] Filed: **Oct. 12, 1993**

The Blarney Woolin Mills Co. Gift Catalog; Wild Bird Window Habitat #152601.

[52] U.S. Cl. .... **D30/124**

[58] Field of Search ..... 119/18, 52.2, 52.3, 119/57.8, 57.9; D30/121, 124-128, 129-130, 133

*Primary Examiner*—Cathy Anne MacCormac  
*Attorney, Agent, or Firm*—Richard C. Litman

### [56] References Cited

### [57] CLAIM

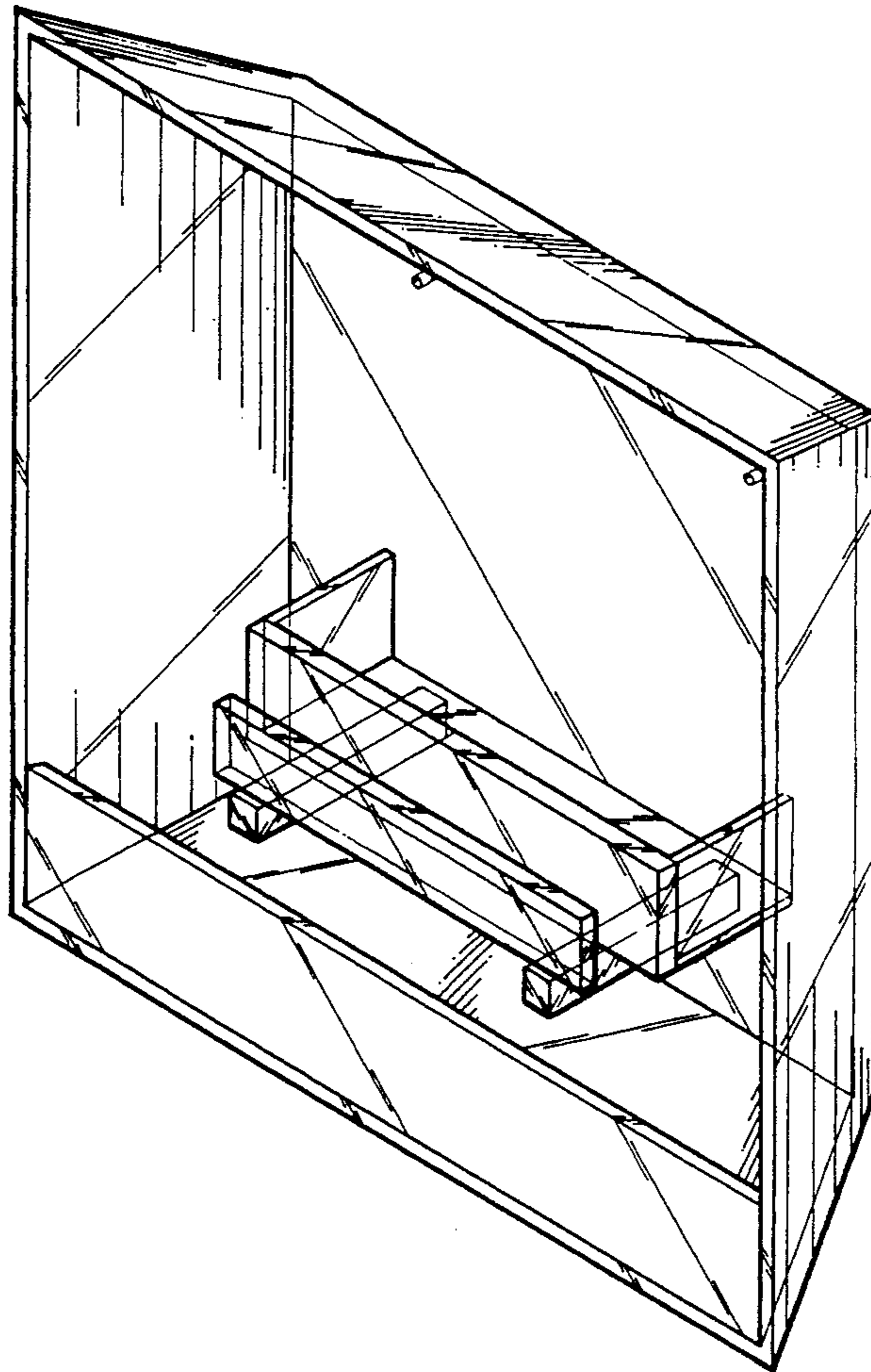
#### U.S. PATENT DOCUMENTS

The ornamental design for a bird feeder, as shown and described.

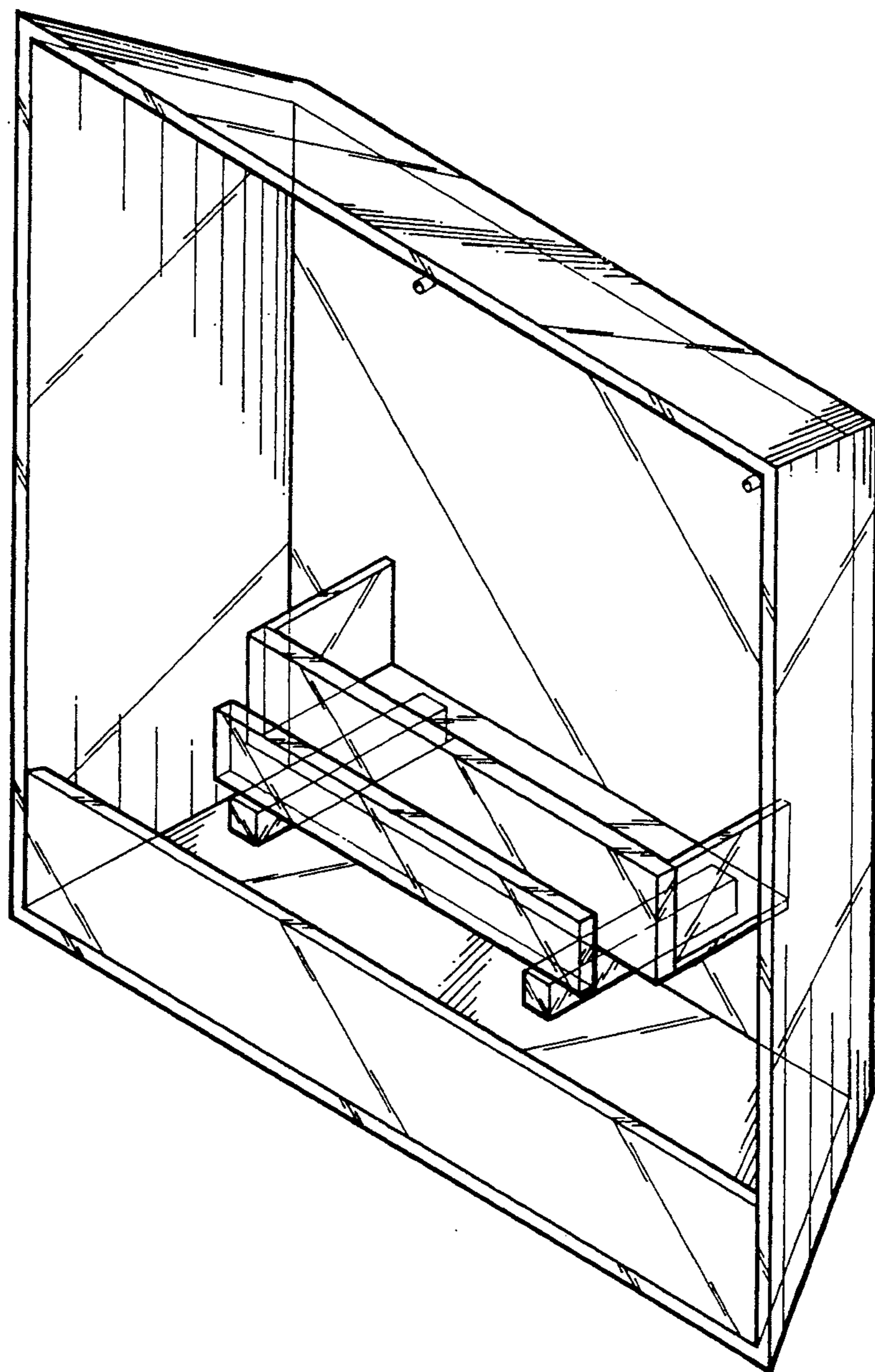
D. 181,625	12/1957	Briggs	.....	D30/124
D. 331,132	11/1992	Maddocks	.....	D30/121
D. 334,636	4/1993	Honeycutt	.....	D30/124
D. 342,588	12/1993	Bransky et al.	.....	D30/124
3,291,100	12/1966	Negaard	.....	119/57.8
3,654,904	4/1972	Krueger	.....	119/18
3,919,977	11/1975	Clark	.....	119/18
4,261,294	4/1981	Bescherer	.....	119/57.8
4,574,738	3/1986	Tominaga	.....	119/18
4,974,546	12/1990	Burgett	.....	119/18
4,991,544	2/1991	Galvin	.....	119/17

### DESCRIPTION

FIG. 1 is a perspective view of a bird feeder showing my new design;  
FIG. 2 is a front elevational view thereof;  
FIG. 3 is a right side elevational view with the left side being a mirror image thereof;  
FIG. 4 is a top view thereof; and,  
FIG. 5 is a bottom view thereof.  
The rear is plain and unornamented.



*FIG. 1*



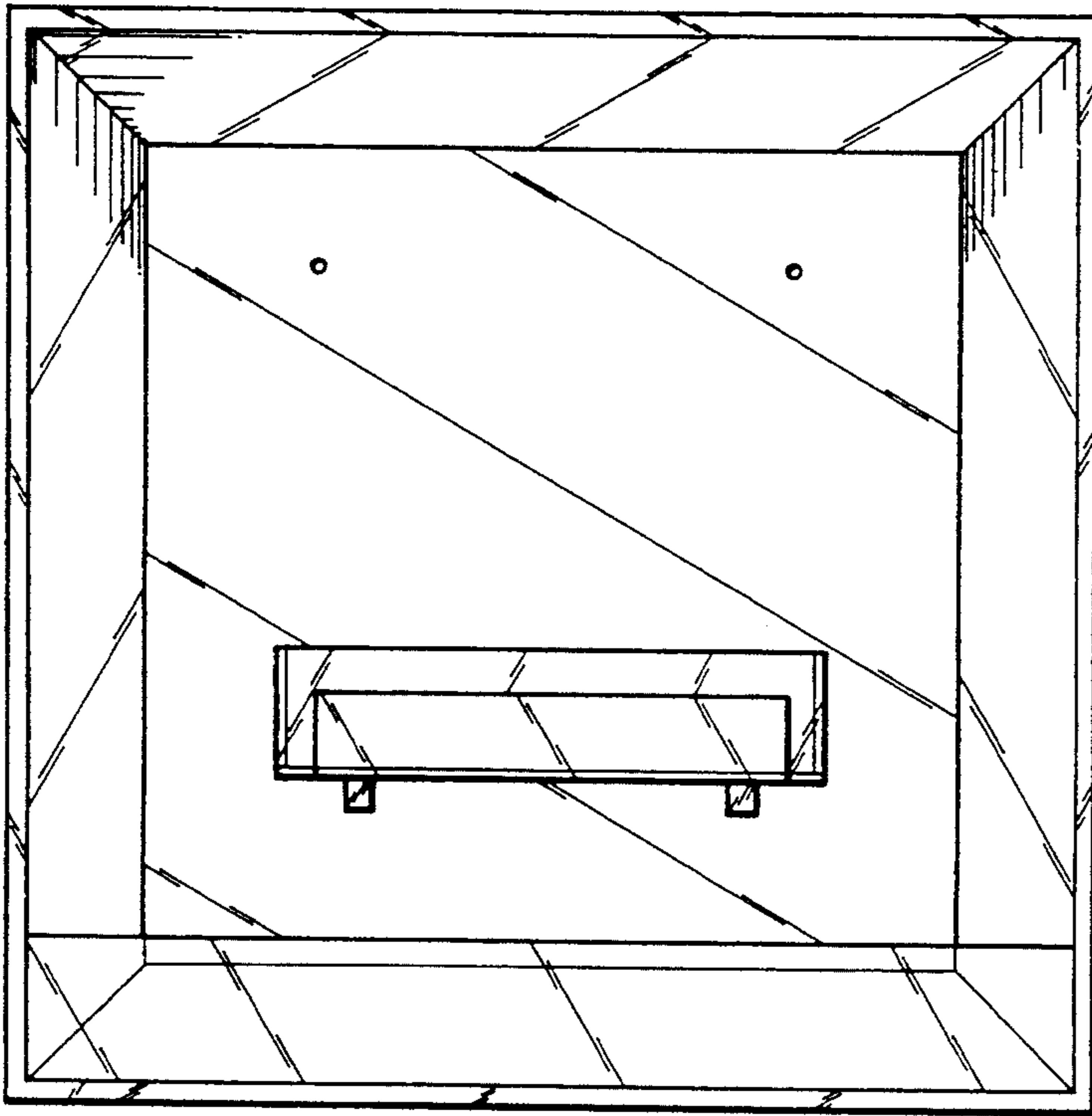


FIG. 2

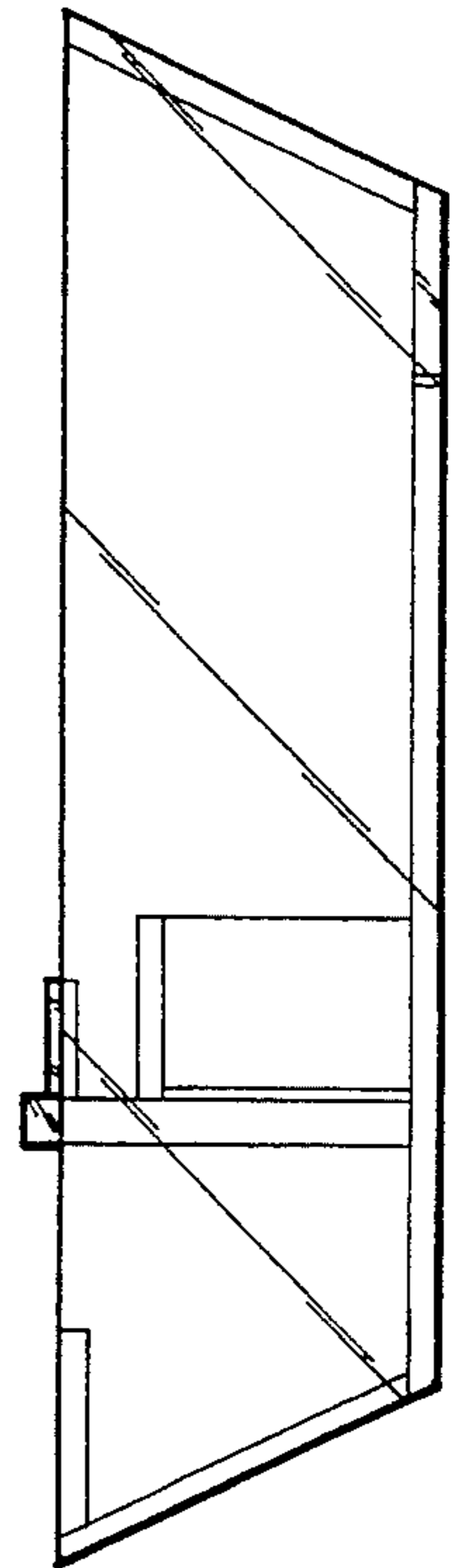


FIG. 3

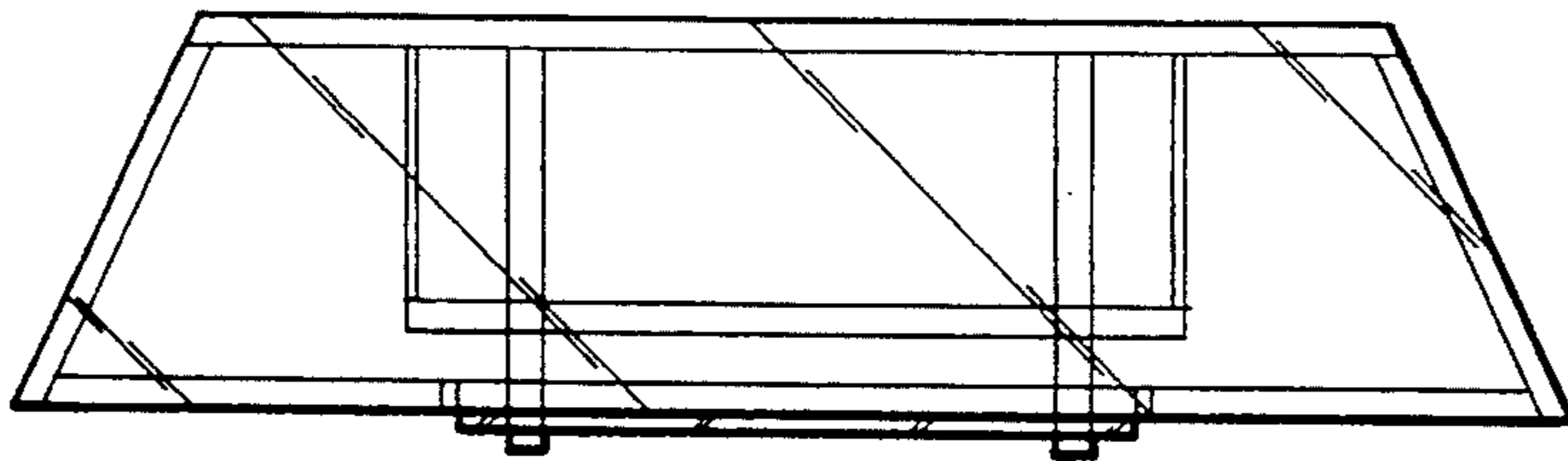


FIG. 4

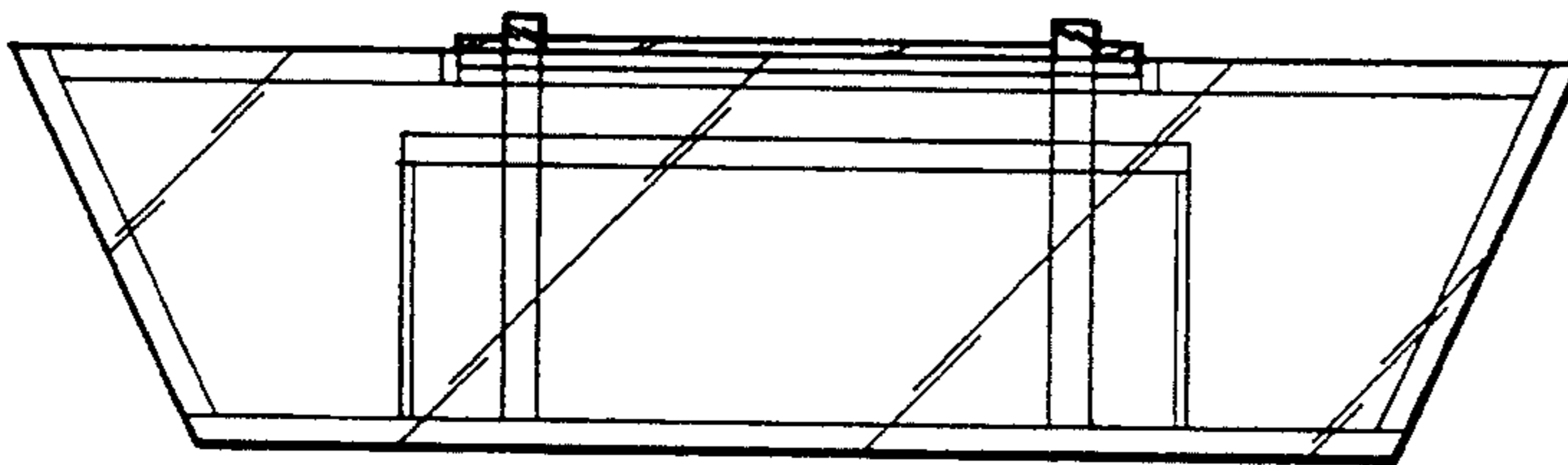


FIG. 5