



US00D350625S

United States Patent [19] Shen

[11] Patent Number: **Des. 350,625**

[45] Date of Patent: **** Sep. 13, 1994**

[54] **COSMETIC CASE**

[75] Inventor: **Wen-Chang Shen, Tainan, Taiwan**

[73] Assignee: **Mei Shuai Cosmetics Co., Ltd.,
Tainan, Taiwan**

[**] Term: **14 Years**

[21] Appl. No.: **5,937**

[22] Filed: **Mar. 15, 1993**

[52] U.S. Cl. **D28/82**

[58] Field of Search D9/341, 347, 420-423;
132/283-297, 300, 314-316; 206/235, 581, 823;
D28/76-84, 73

D. 316,763 5/1991 Ferrari D28/83
3,476,123 11/1969 Flax 132/315

Primary Examiner—Bernard Ansher
Assistant Examiner—C. Tuttle
Attorney, Agent, or Firm—Finnegan, Henderson,
Farabow, Garrett & Dunner

[57] **CLAIM**

The ornamental design for cosmetic case, as shown and described.

DESCRIPTION

FIG. 1 is a perspective view of cosmetic case showing my new design;

FIG. 2 is a front elevational view thereof;

FIG. 3 is a rear elevational view thereof;

FIG. 4 is a left side elevational view thereof;

FIG. 5 is a right side elevational view thereof;

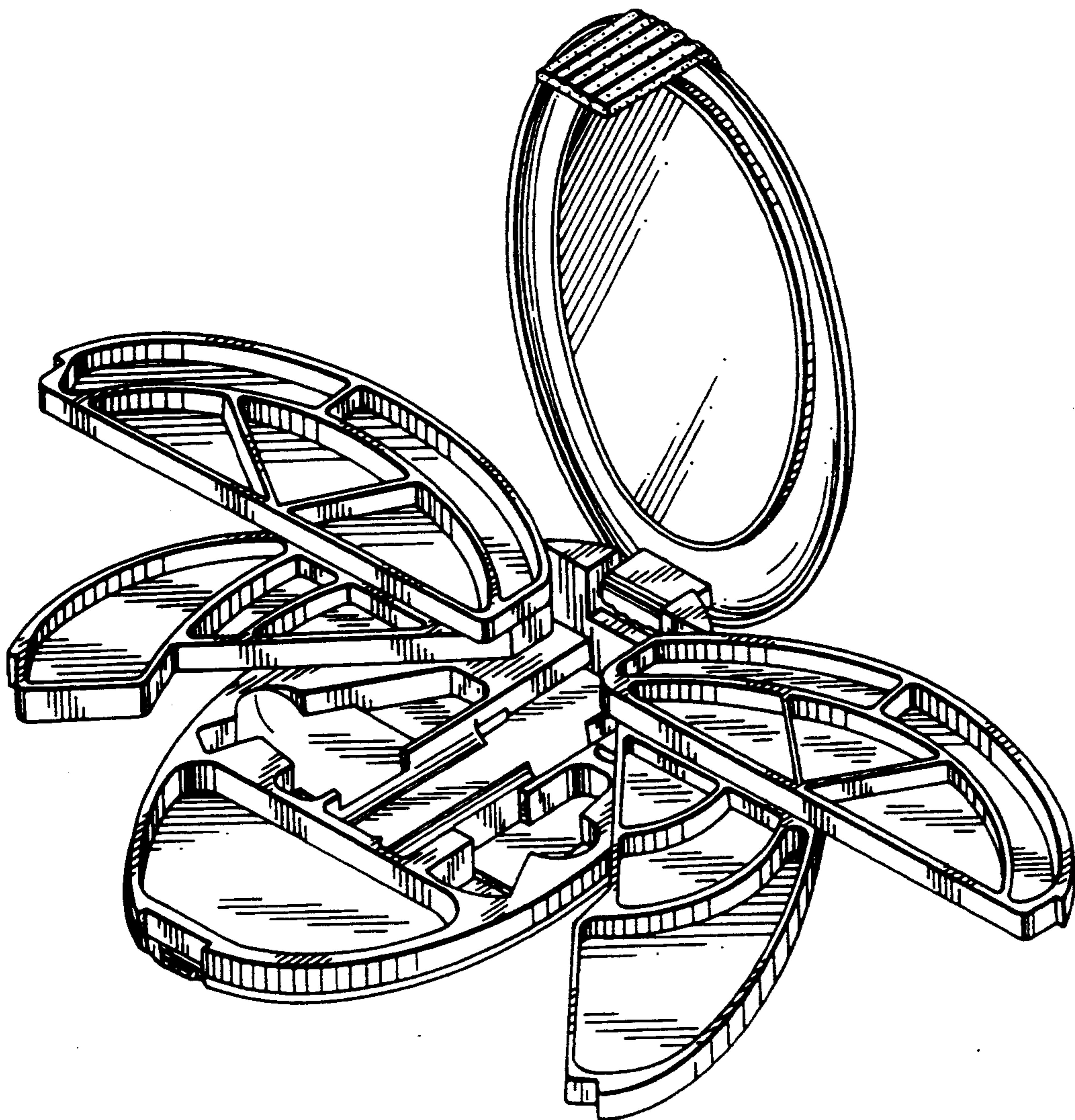
FIG. 6 is a top plan view thereof; and,

FIG. 7 is a bottom plan view thereof.

[56] **References Cited**

U.S. PATENT DOCUMENTS

D. 147,903 11/1947 Guttman D9/420
D. 305,281 1/1990 Chen D28/76 X
D. 310,736 9/1990 Bakic D28/82



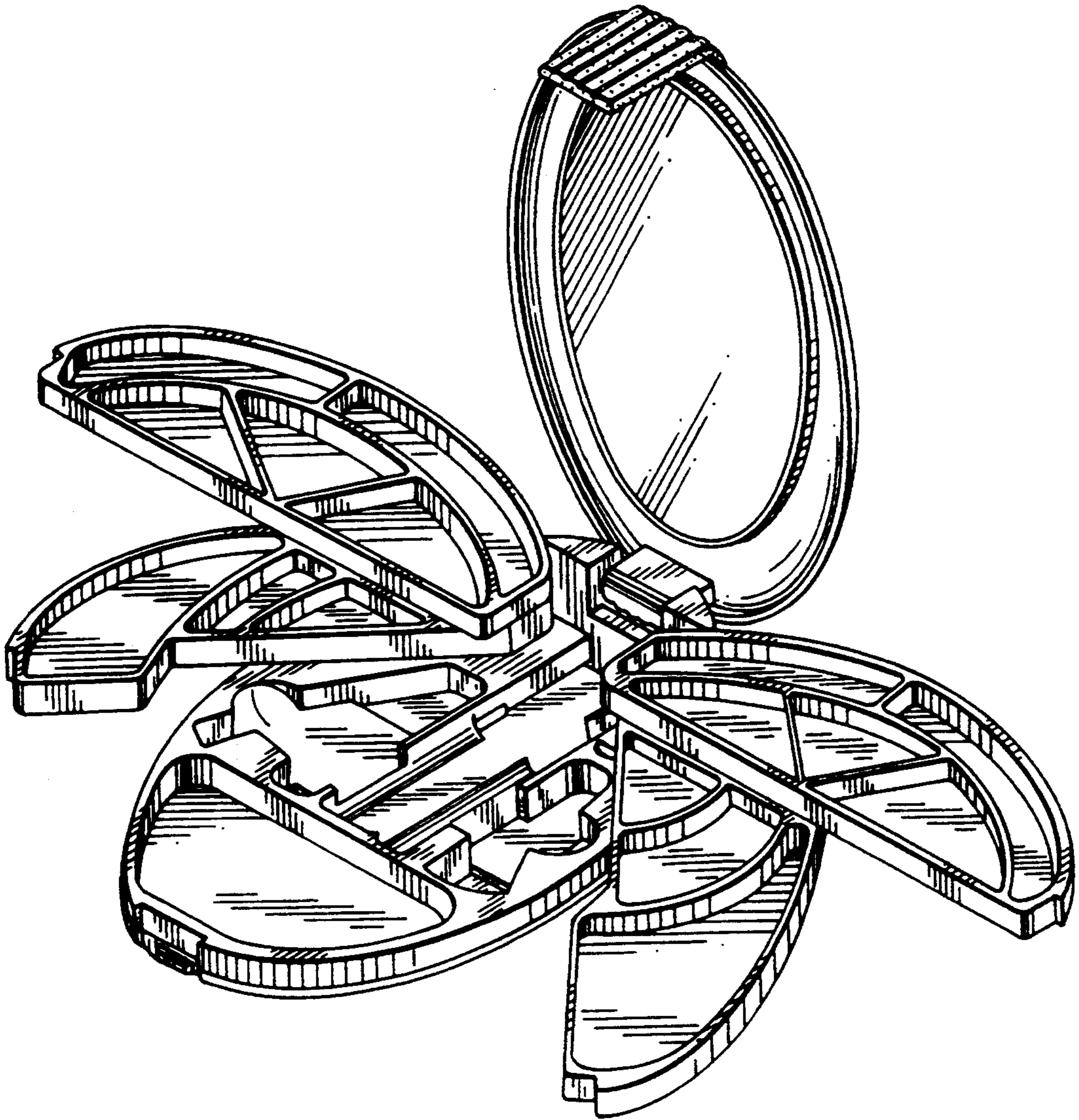


FIG. 1

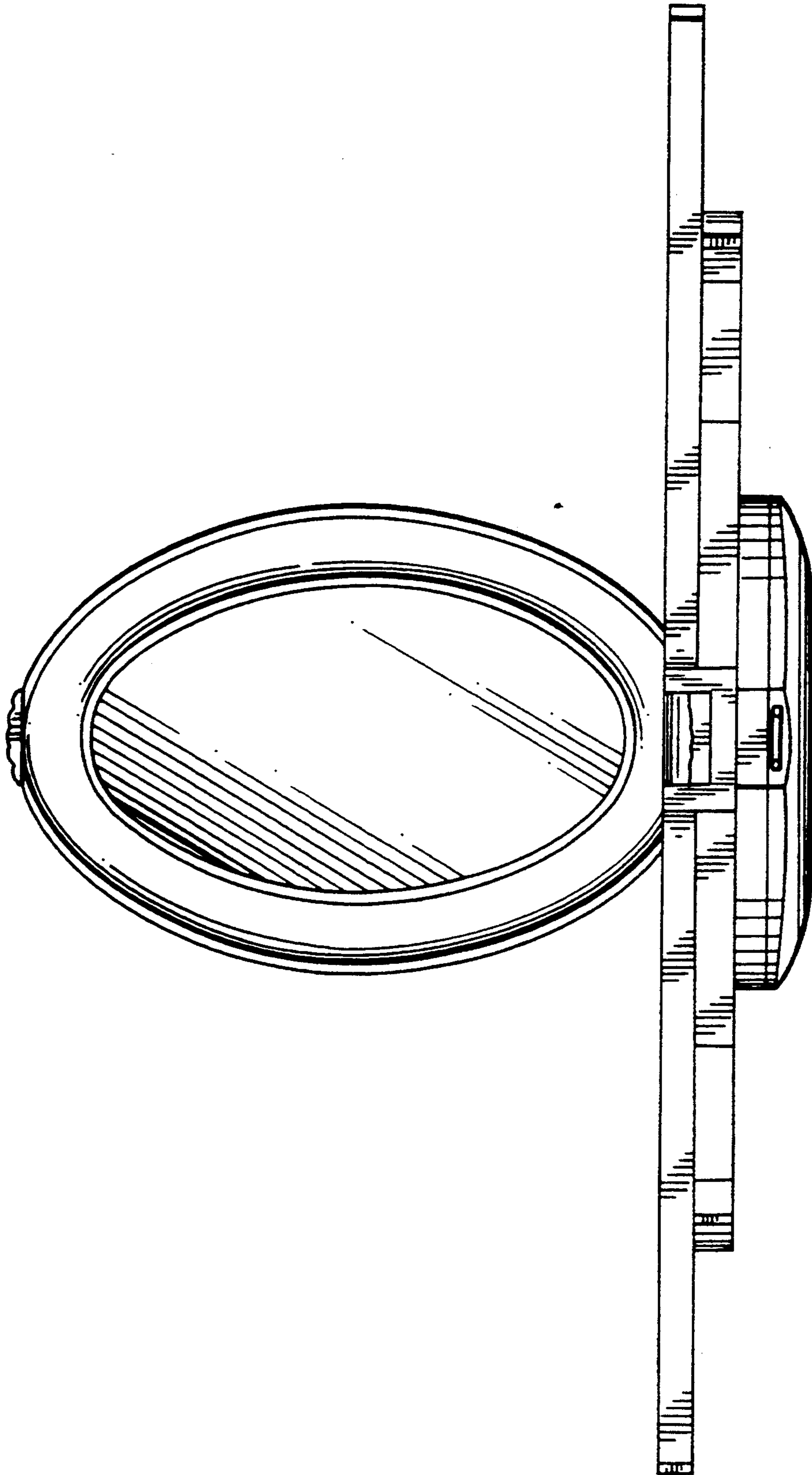


FIG. 2

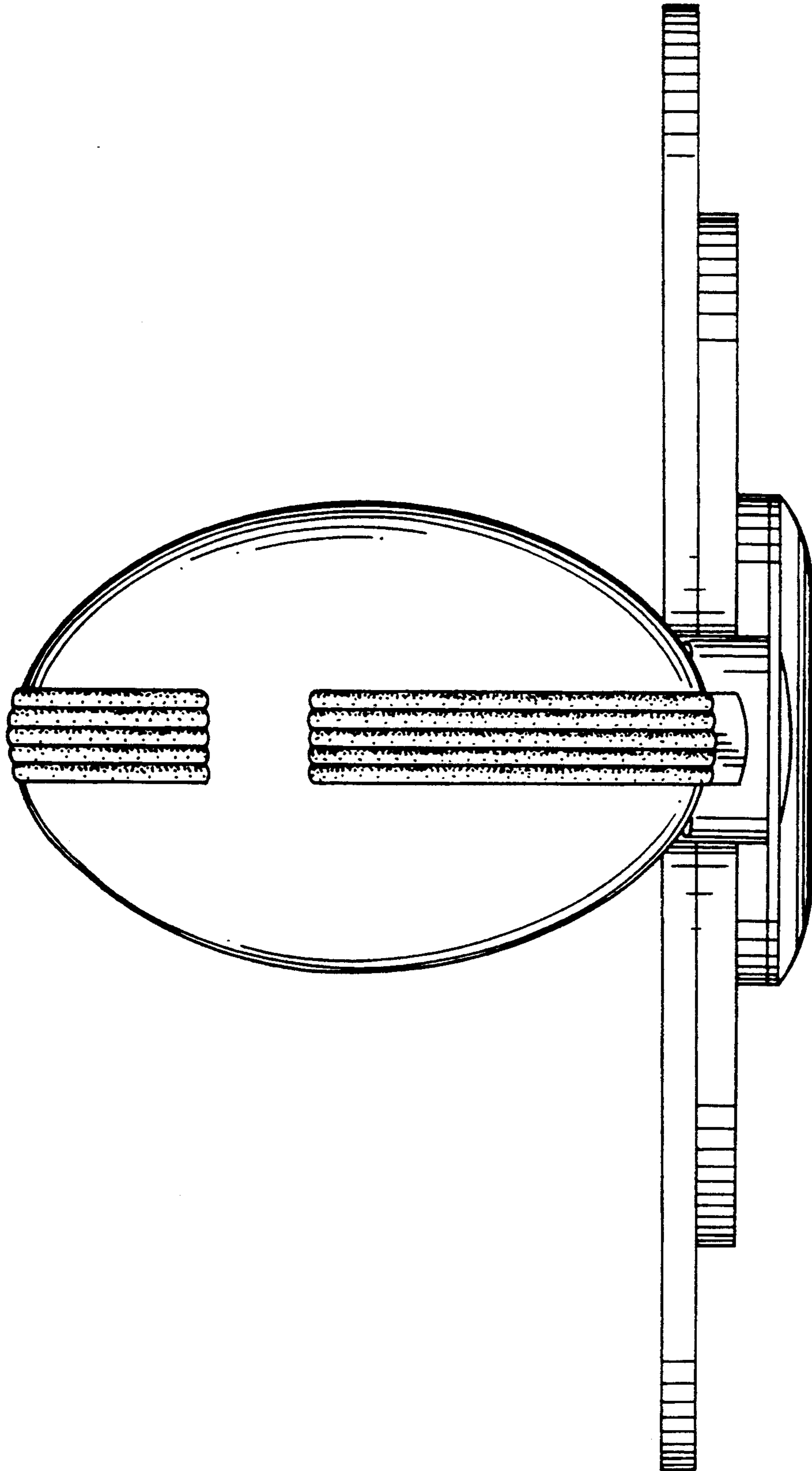


FIG. 3

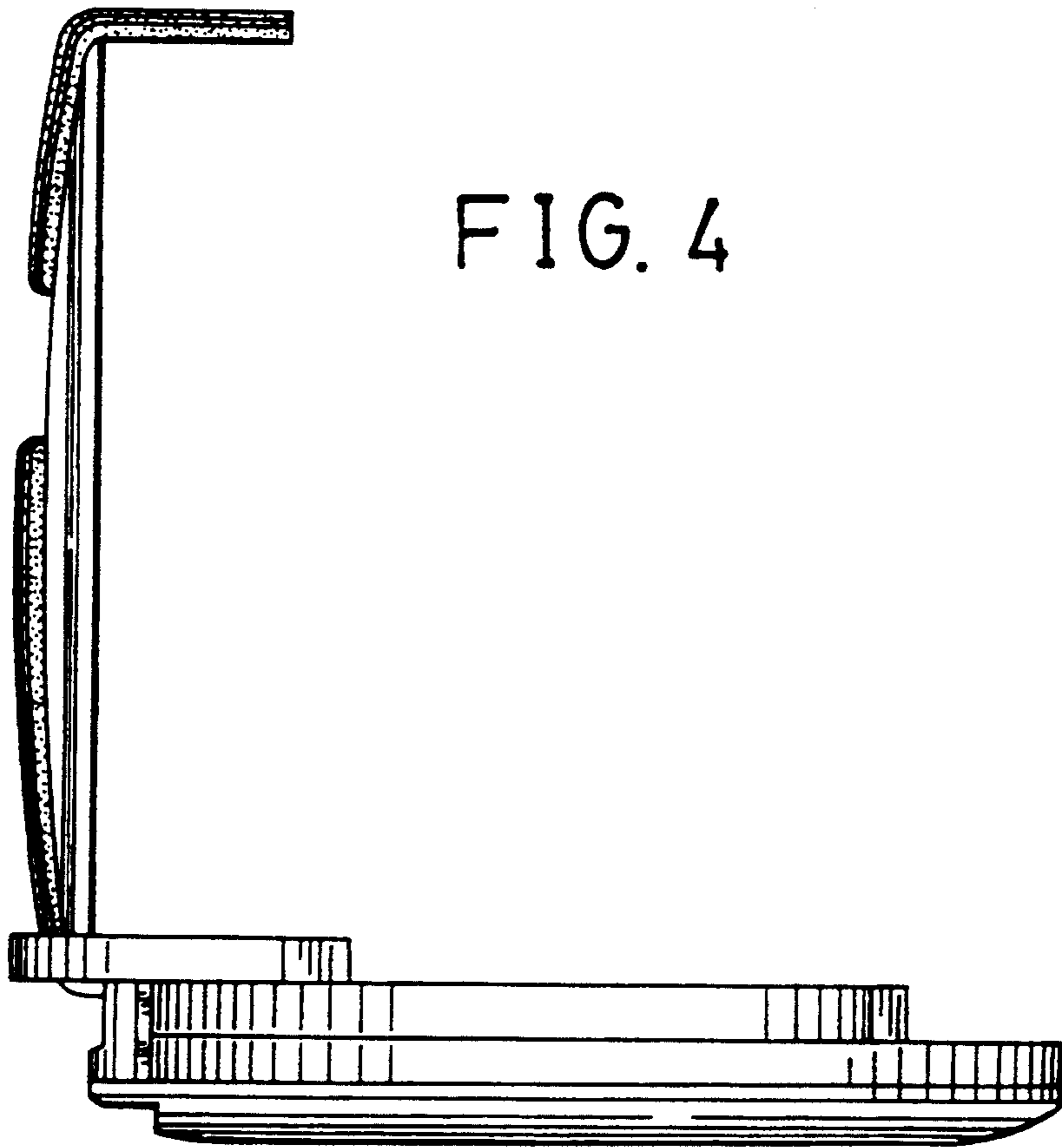


FIG. 4

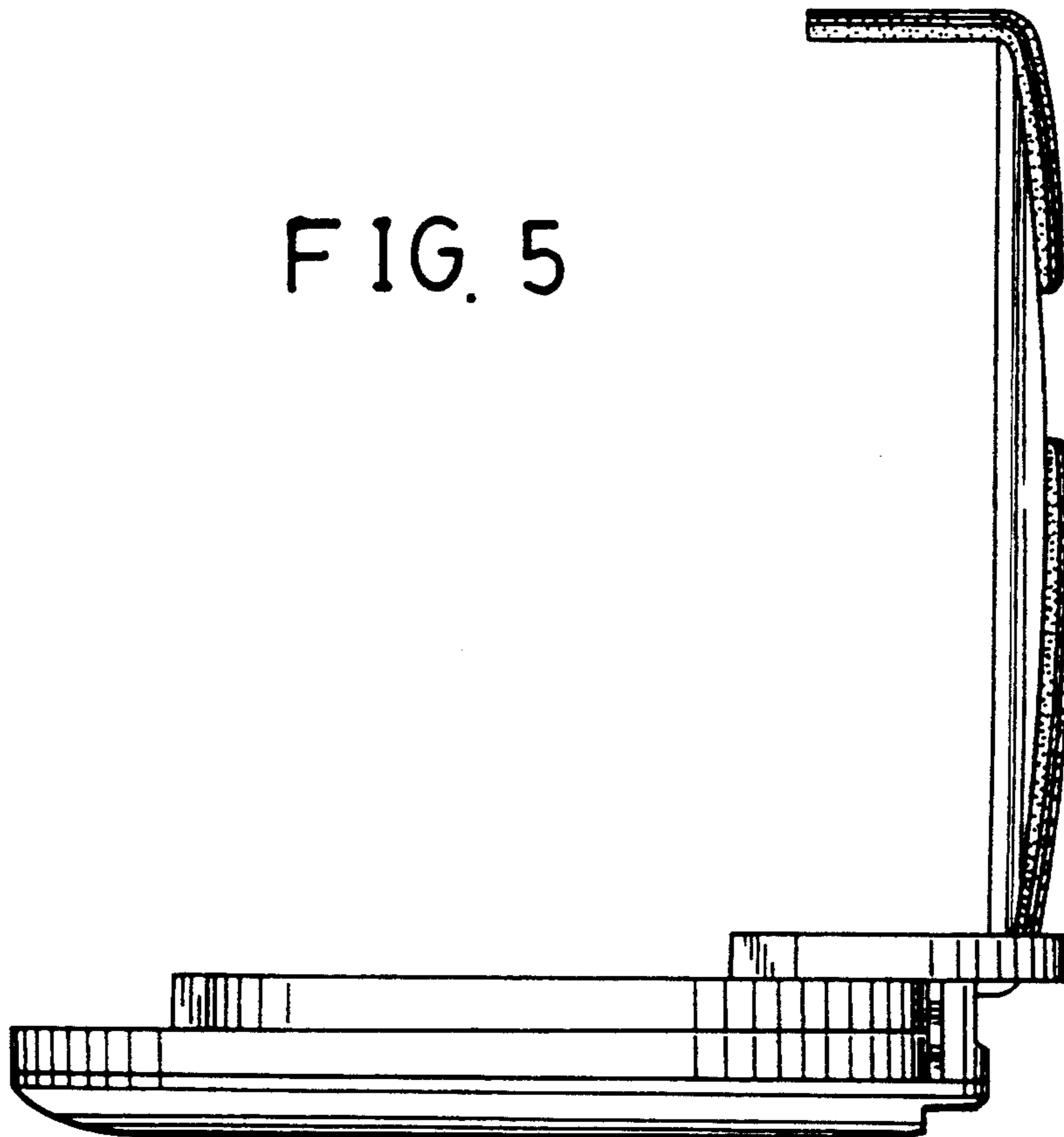


FIG. 5

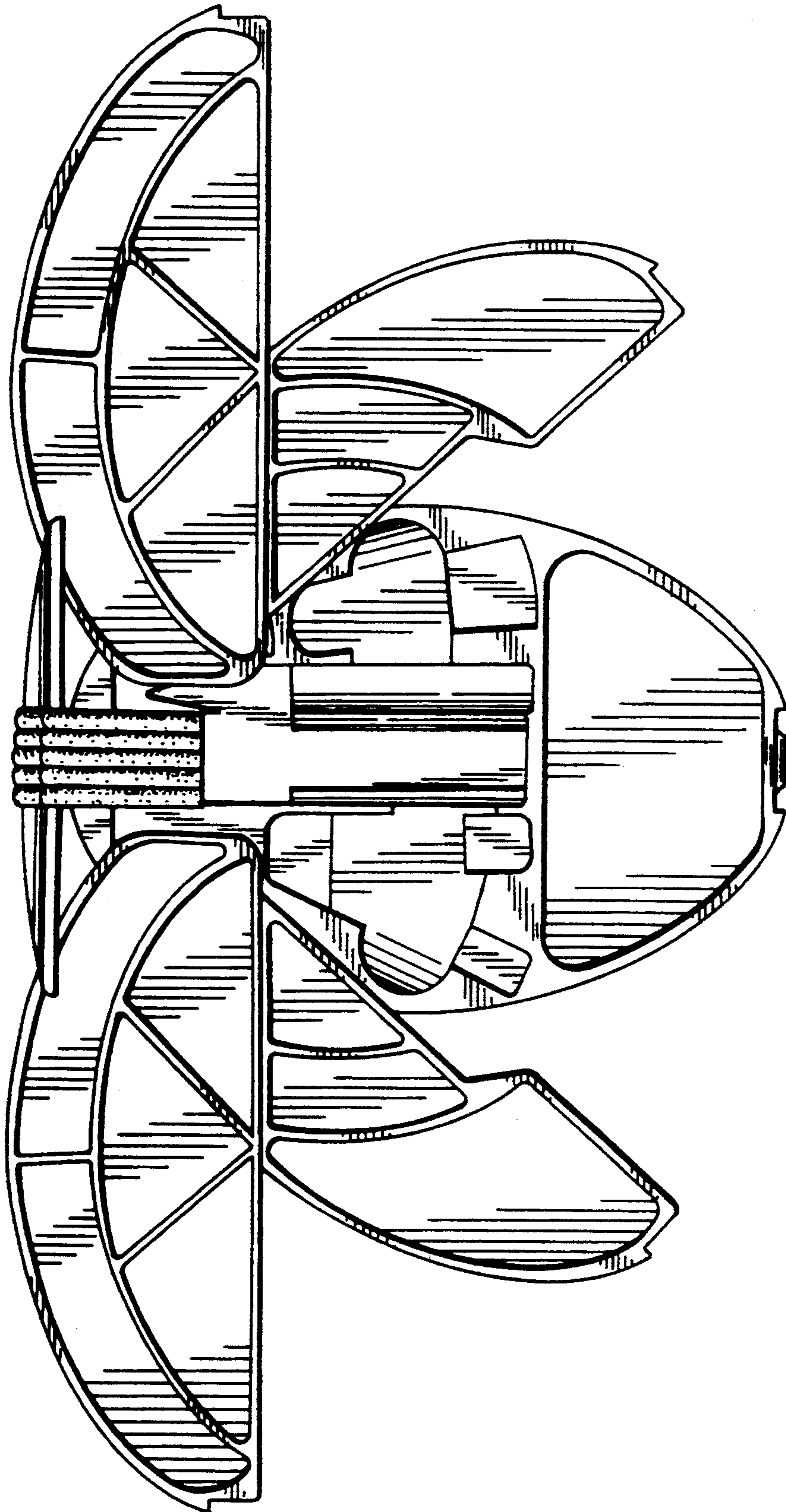


FIG. 6

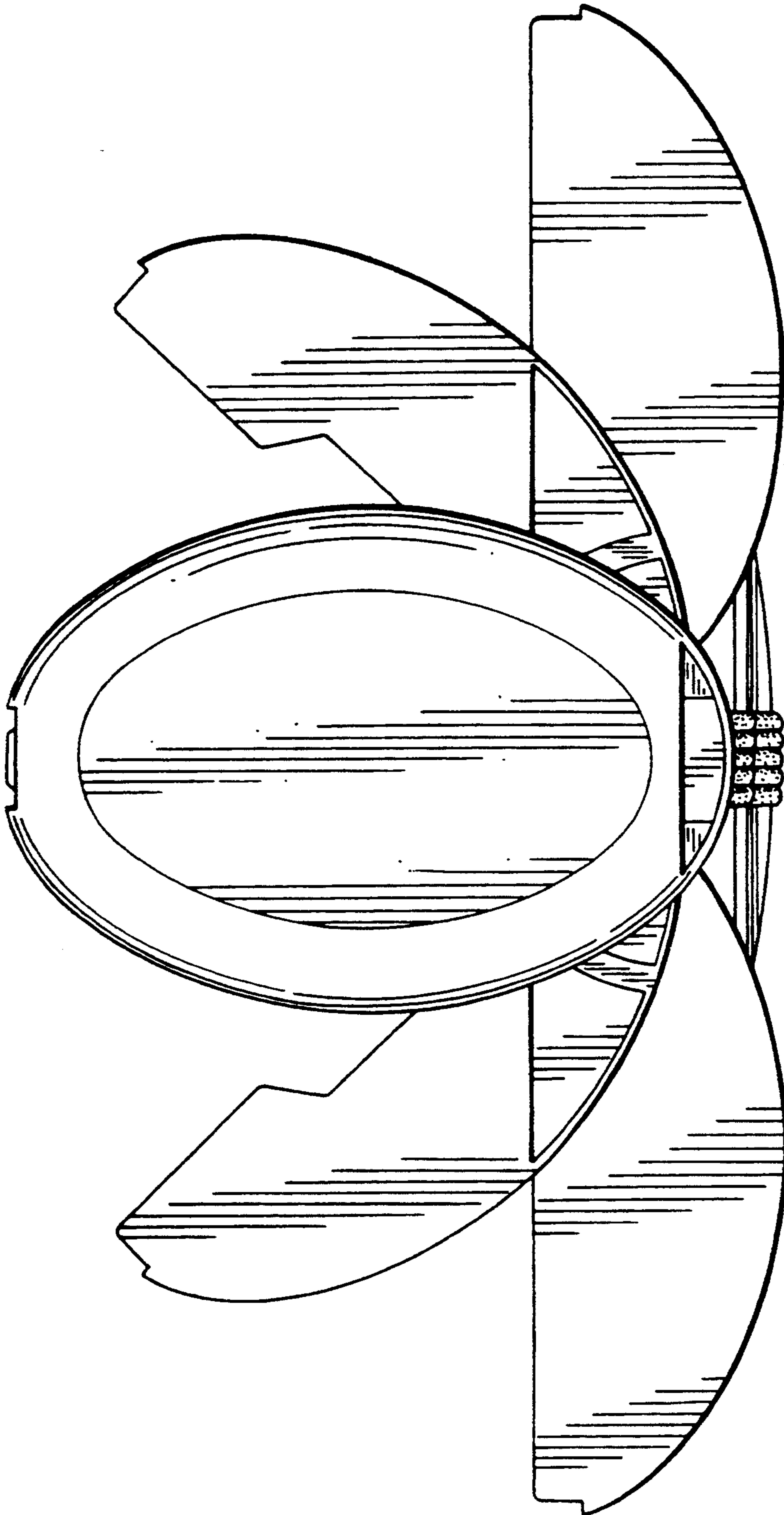


FIG. 7