



US00D350624S

**United States Patent** [19]  
**Jovanovic**

[11] **Patent Number: Des. 350,624**

[45] **Date of Patent: \*\* Sep. 13, 1994**

[54] **DENTAL FLOSS HOLDER**  
[76] **Inventor: Karol Jovanovic, P.O. Box 1217,  
Clifton, N.J. 07012-0717**  
[\*\*] **Term: 14 Years**  
[21] **Appl. No.: 7,519**  
[22] **Filed: Apr. 26, 1993**  
[52] **U.S. Cl. .... D28/64**  
[58] **Field of Search ..... 132/321-329;  
206/63.5; D28/64**

3,376,876 4/1968 Wicklund .  
3,621,853 11/1971 Montalbo .  
5,060,681 10/1991 Westbrook et al. .... 132/325

*Primary Examiner*—James M. Gandy  
*Assistant Examiner*—M. H. Tung  
*Attorney, Agent, or Firm*—Abdallah & Muckelroy

[57] **CLAIM**

The ornamental design for a dental floss holder, as shown and described.

**DESCRIPTION**

FIG. 1 is perspective view of the dental floss holder;  
FIG. 2 is a side view of the dental floss holder, wherein the opposite side is a mirror image;  
FIG. 3 is a front view of the dental floss holder;  
FIG. 4 is a top view of the dental floss holder;  
FIG. 5 is a bottom plan view of the dental floss holder; and,  
FIG. 6 is a rear view of the dental floss holder.  
The broken line drawing of floss in FIGS. 1-4 is for illustrative purposes only and forms no part of the claimed design.

[56] **References Cited**  
**U.S. PATENT DOCUMENTS**  
1,083,770 1/1914 Swope et al. .  
1,158,890 11/1915 Bowling .  
1,644,390 10/1927 Miller .  
1,952,358 3/1934 Bohm .  
2,384,712 9/1945 Turenchalk et al. .  
2,444,638 7/1948 Dobbins .  
2,577,597 12/1951 Wright et al. .... 132/326  
2,872,929 2/1959 Rice ..... D28/64 X

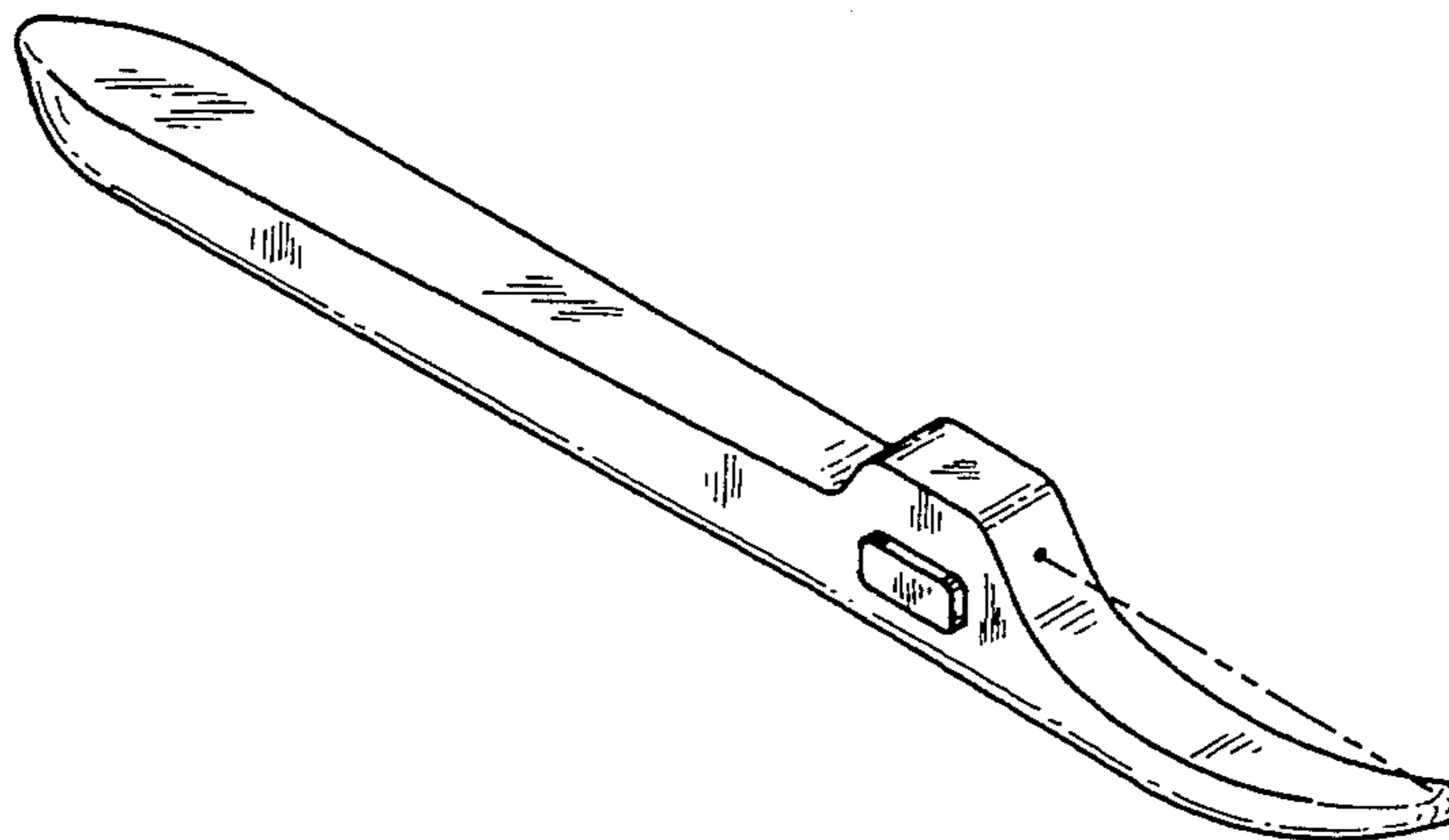


FIG. 2

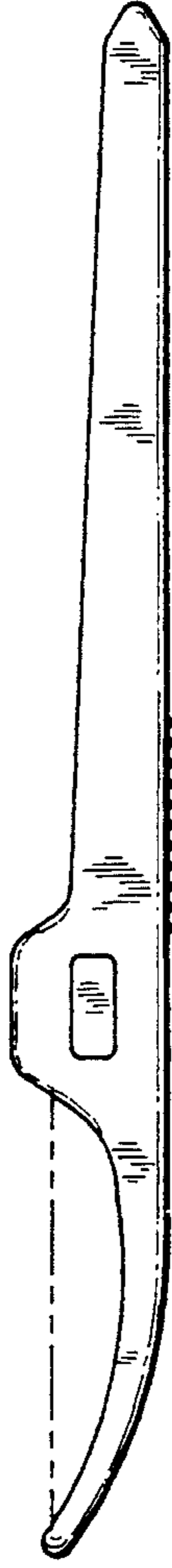


FIG. 4



FIG. 6



FIG. 1

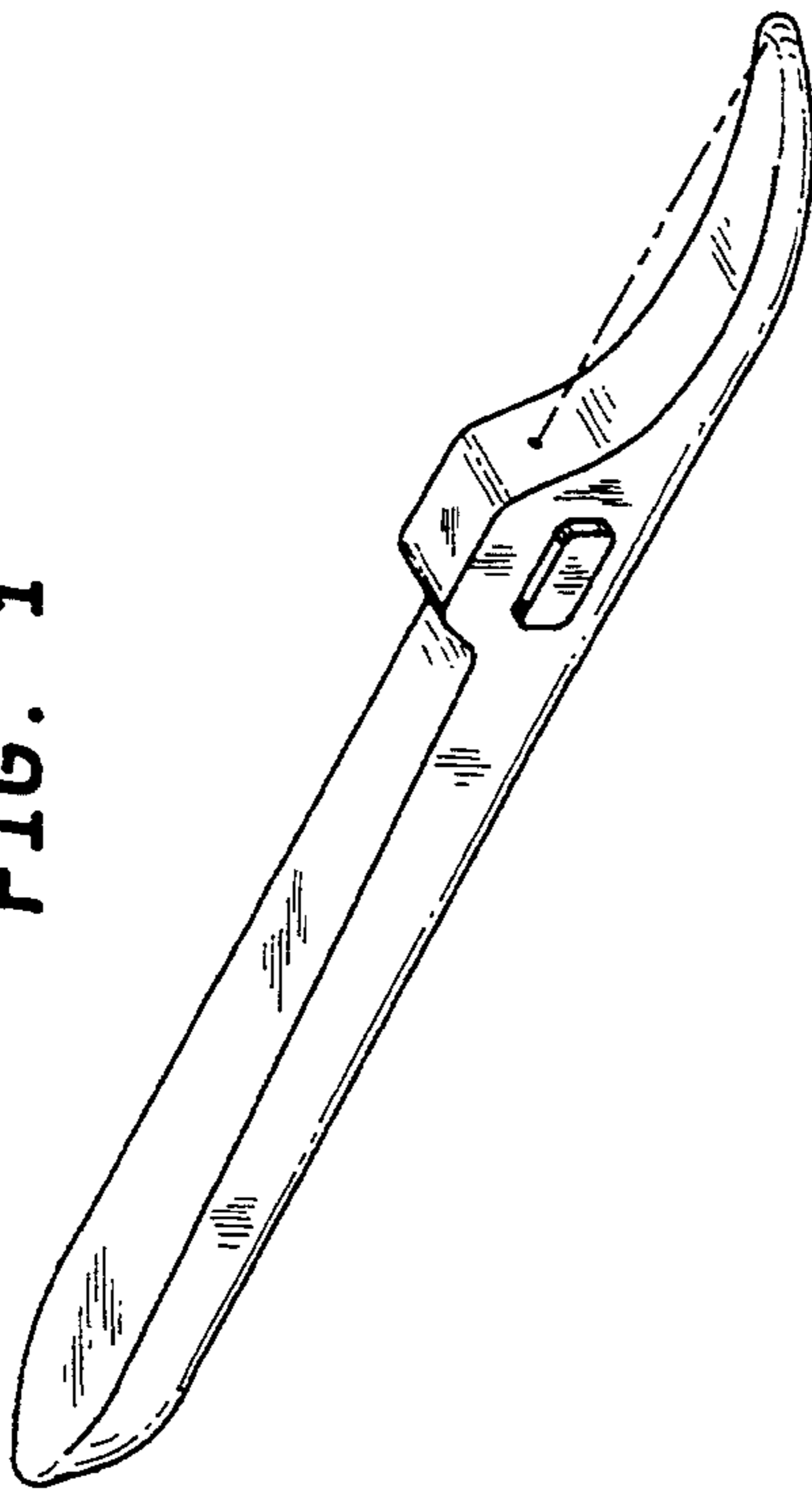


FIG. 3

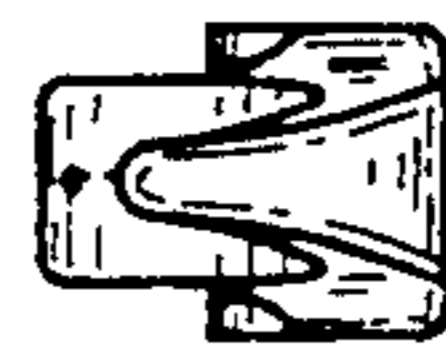


FIG. 5

