



US00D350622S

United States Patent [19]

Gruber et al.

[11] Patent Number: Des. 350,622

[45] Date of Patent: ** Sep. 13, 1994

[54] SUSPENDED LUMINAIRE

[75] Inventors: **Harold T. Gruber**, Summit Station;
Bonnie J. Brohard, Newark; **William W. Belisle**, Newark; **Herbert A. Fouke**, Newark, all of Ohio

[73] Assignee: **Holophane Lighting, Inc.**, Newark, Ohio

[**] Term: **14 Years**

[21] Appl. No.: **843,977**

[22] Filed: **Feb. 27, 1992**

[52] U.S. Cl. **D26/88**

[58] Field of Search **362/147, 404-408;**
D26/72, 80-92

[56] References Cited

U.S. PATENT DOCUMENTS

D. 315,612 3/1991 Hughes D26/85

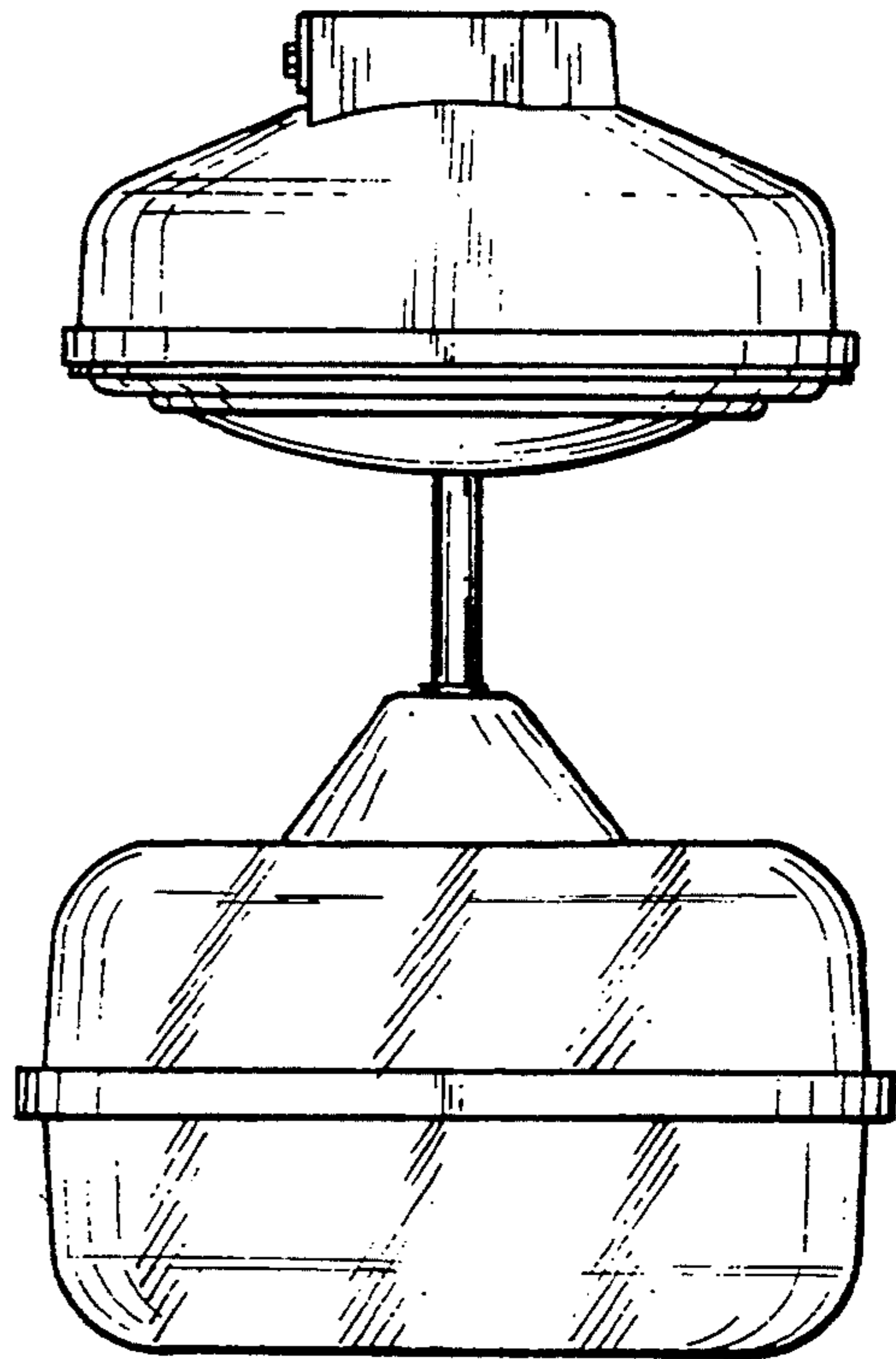
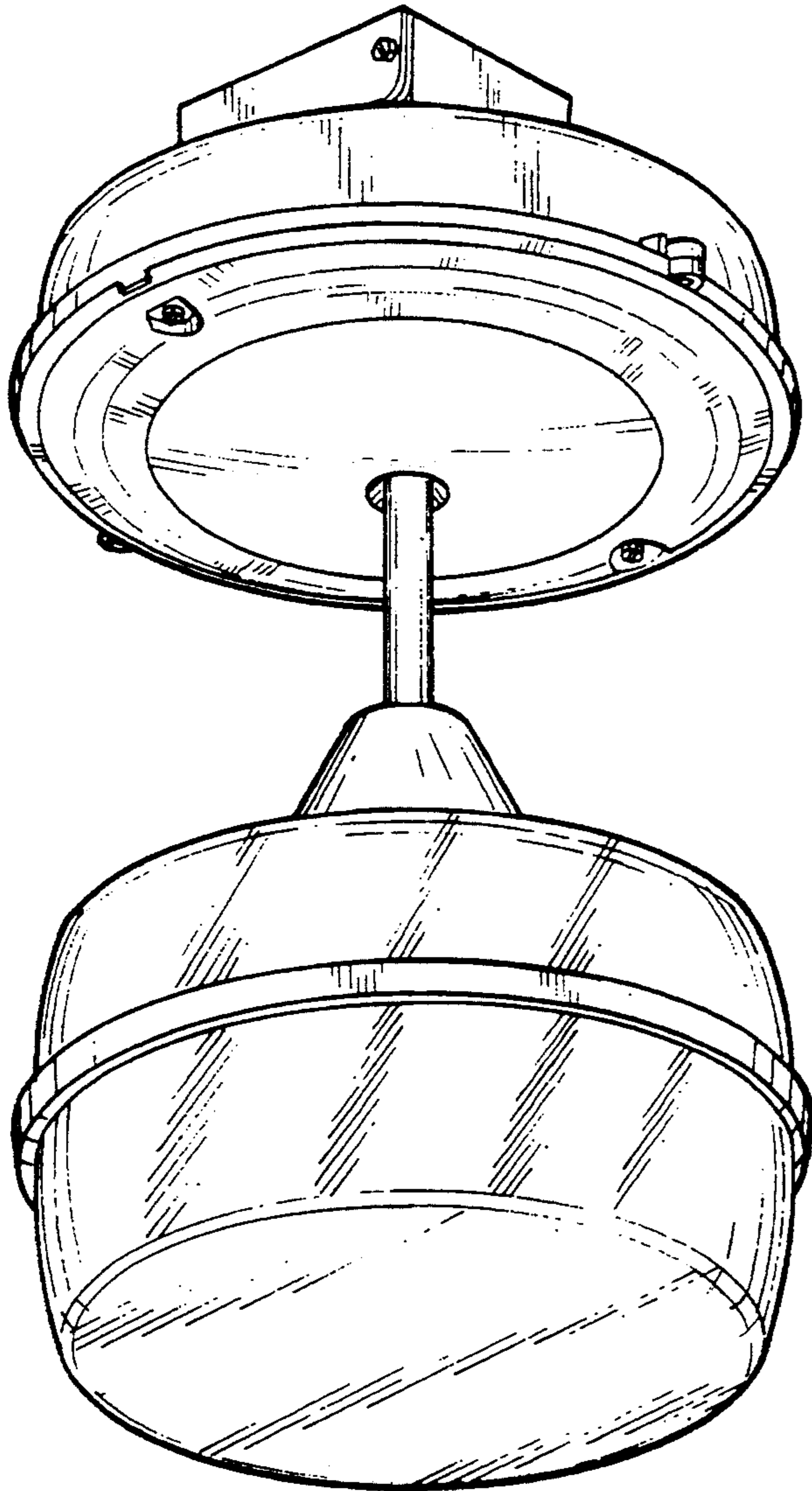
Primary Examiner—Susan J. Lucas
Attorney, Agent, or Firm—Brooks & Kushman

[57] CLAIM

The ornamental design for a suspended luminaire, as shown.

DESCRIPTION

FIG. 1 is a perspective view of our new design; FIG. 2 is a right side elevational view; FIG. 3 is a left side elevational view; FIG. 4 is a top plan view; FIG. 5 is a bottom plan view; and, FIG. 6 is a rear elevational view.



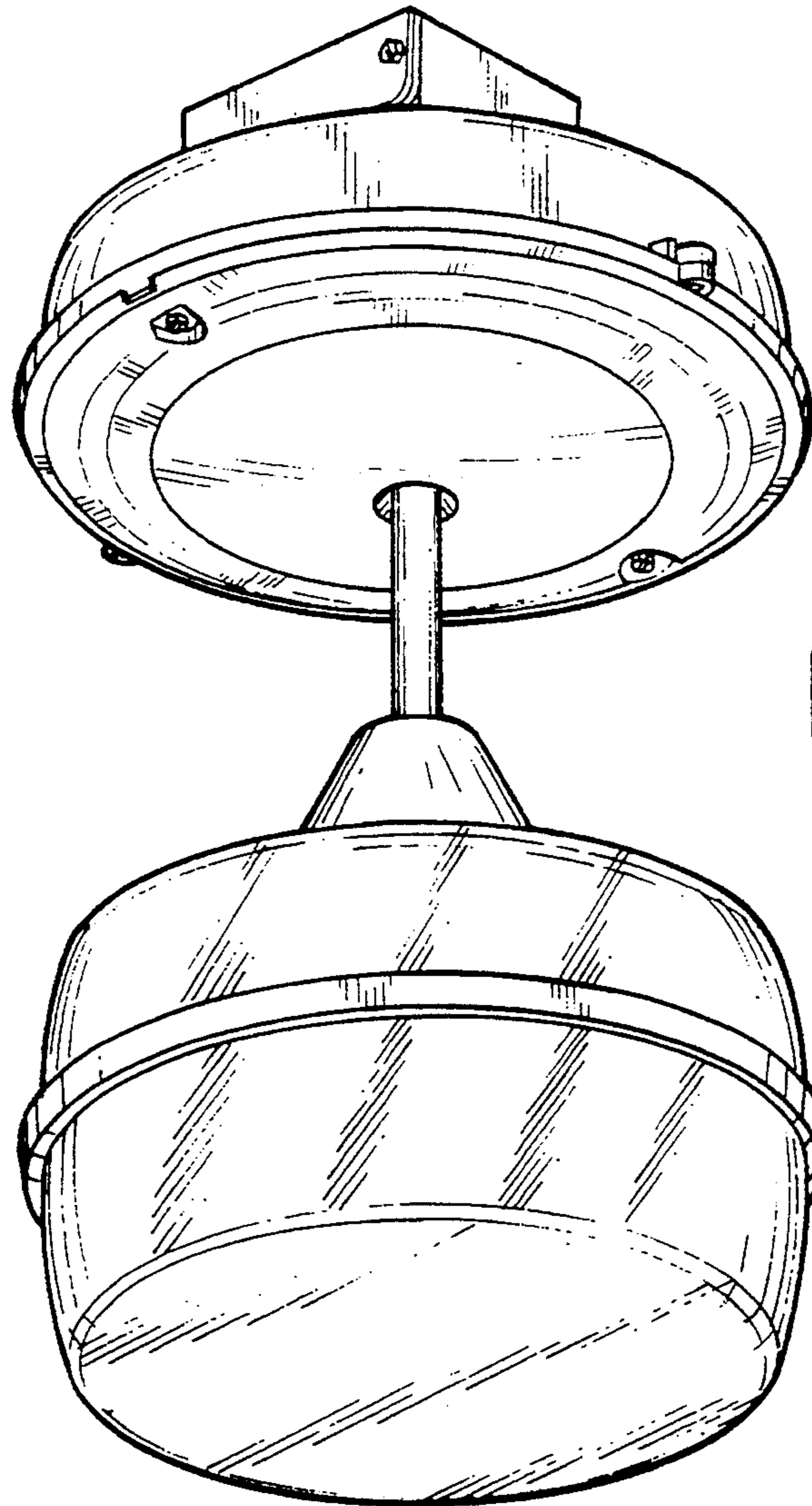


Fig-1

Fig-2

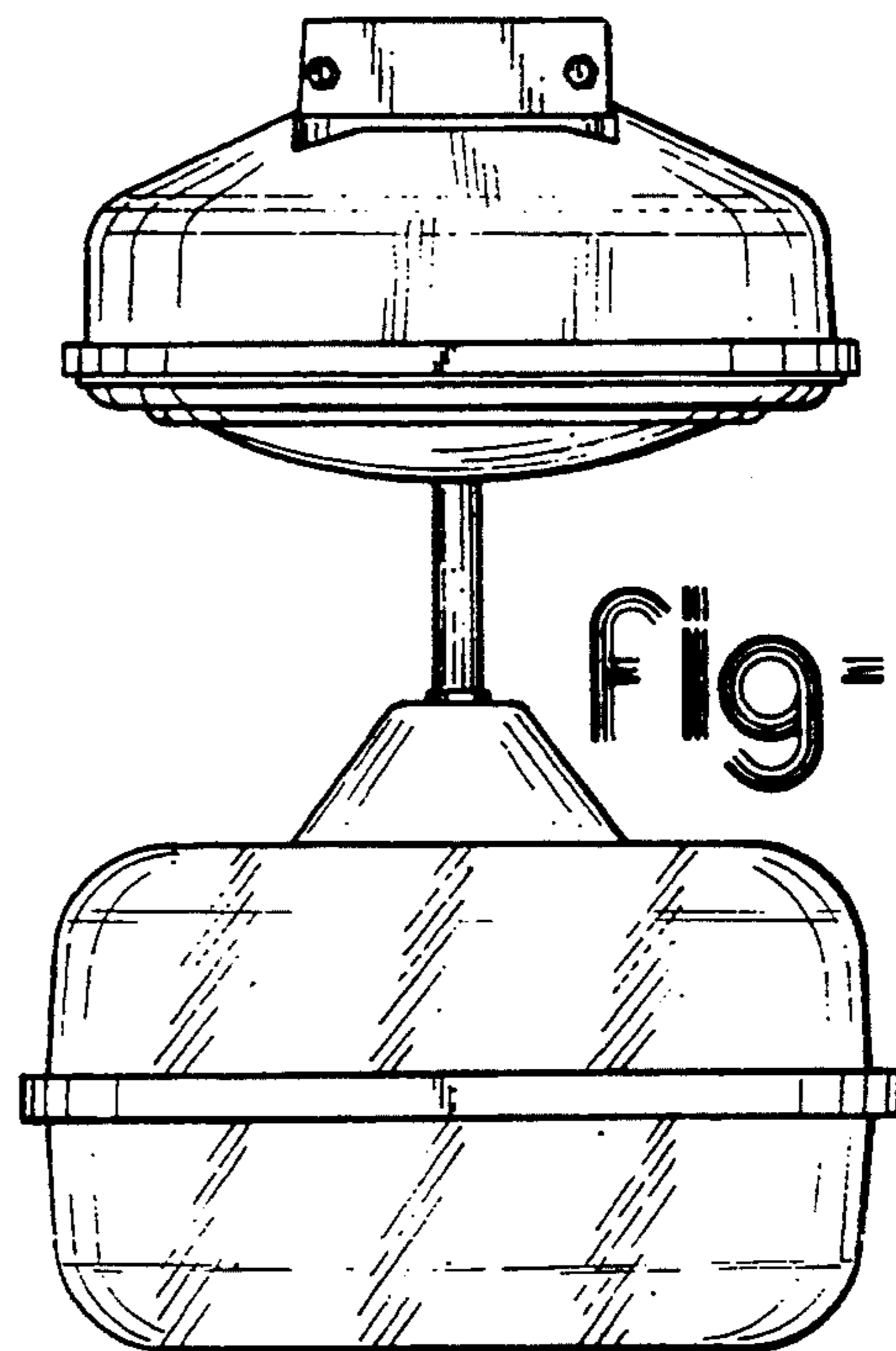
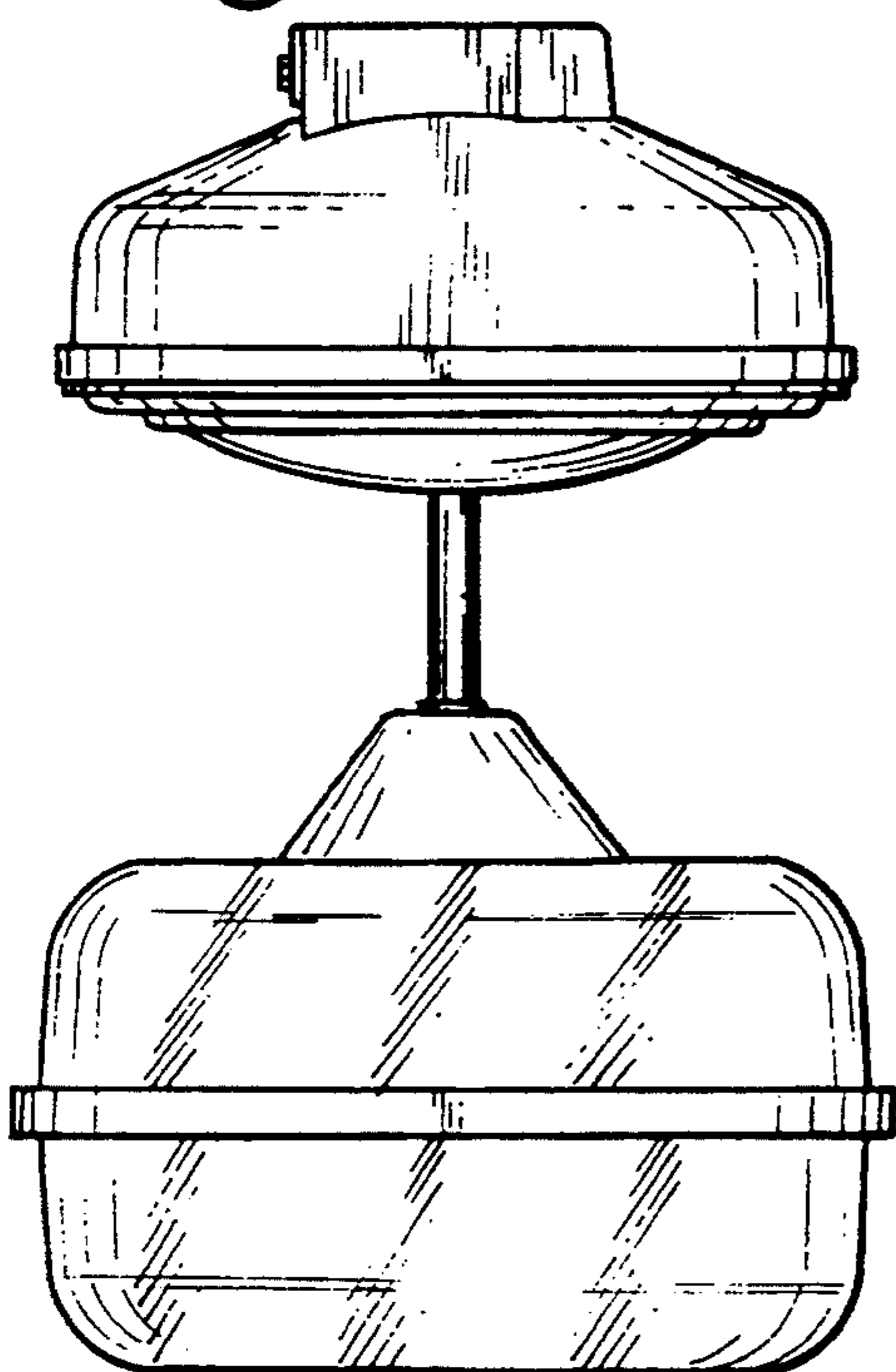


Fig-3

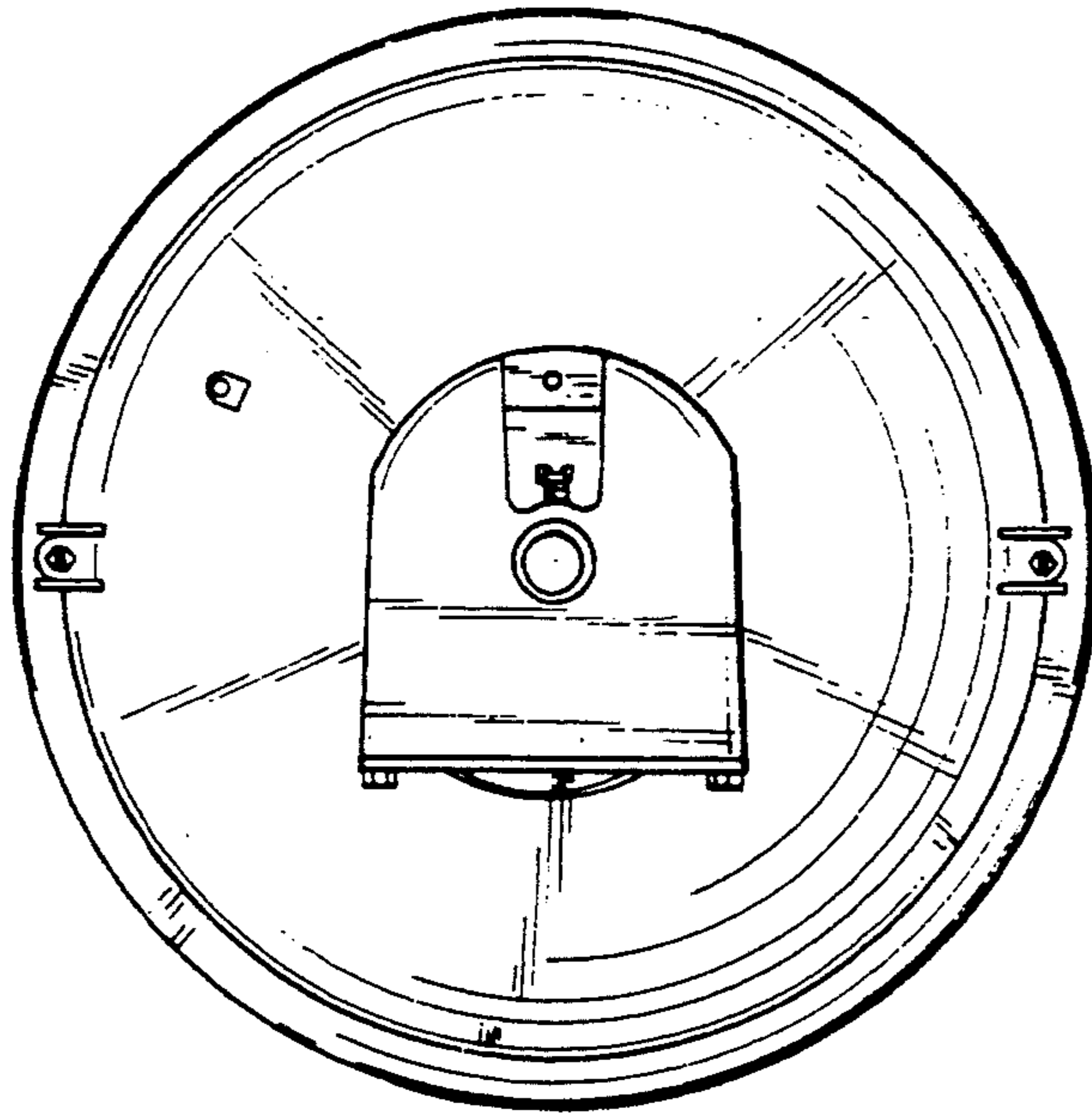


Fig-4

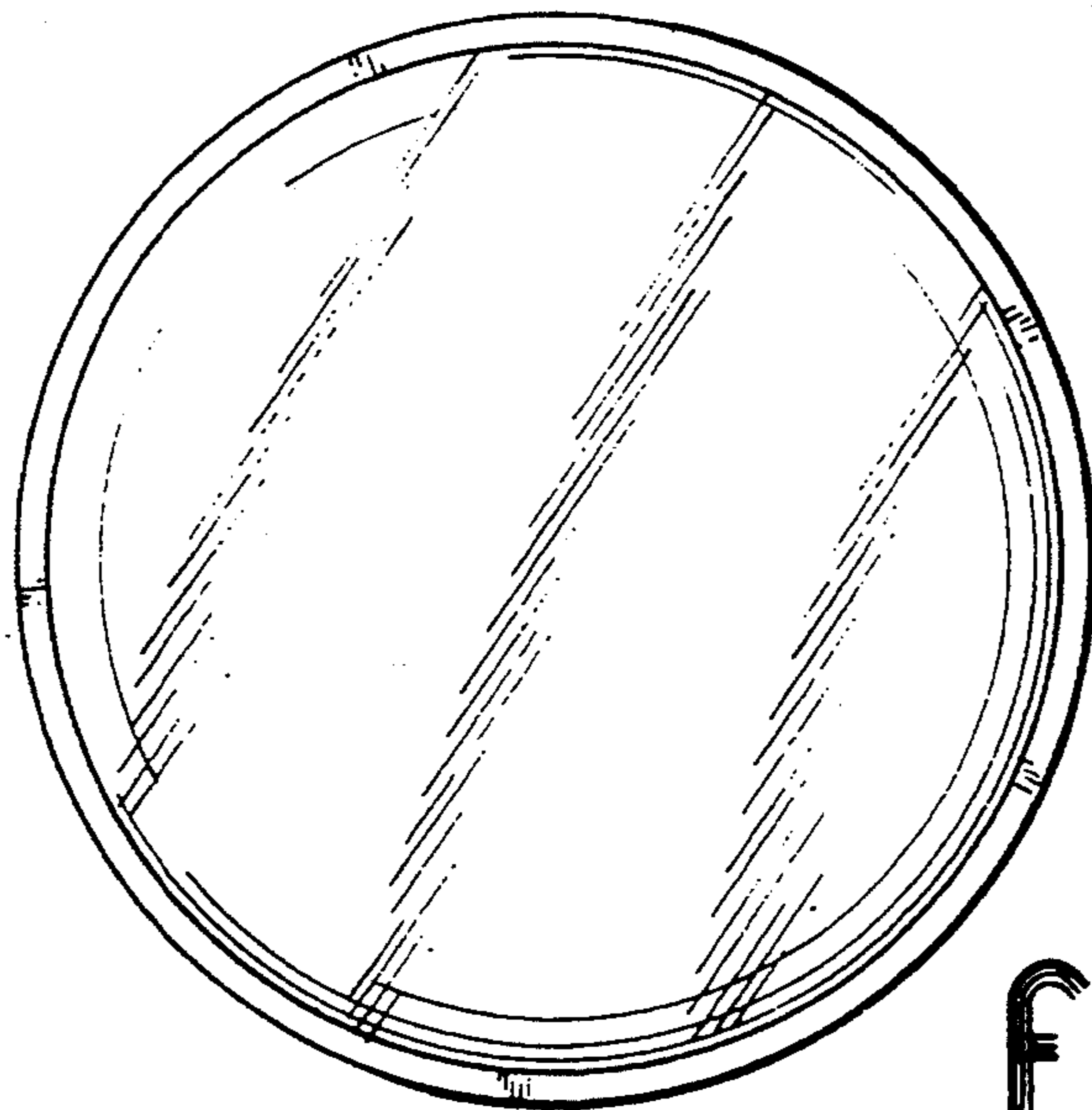


Fig-5

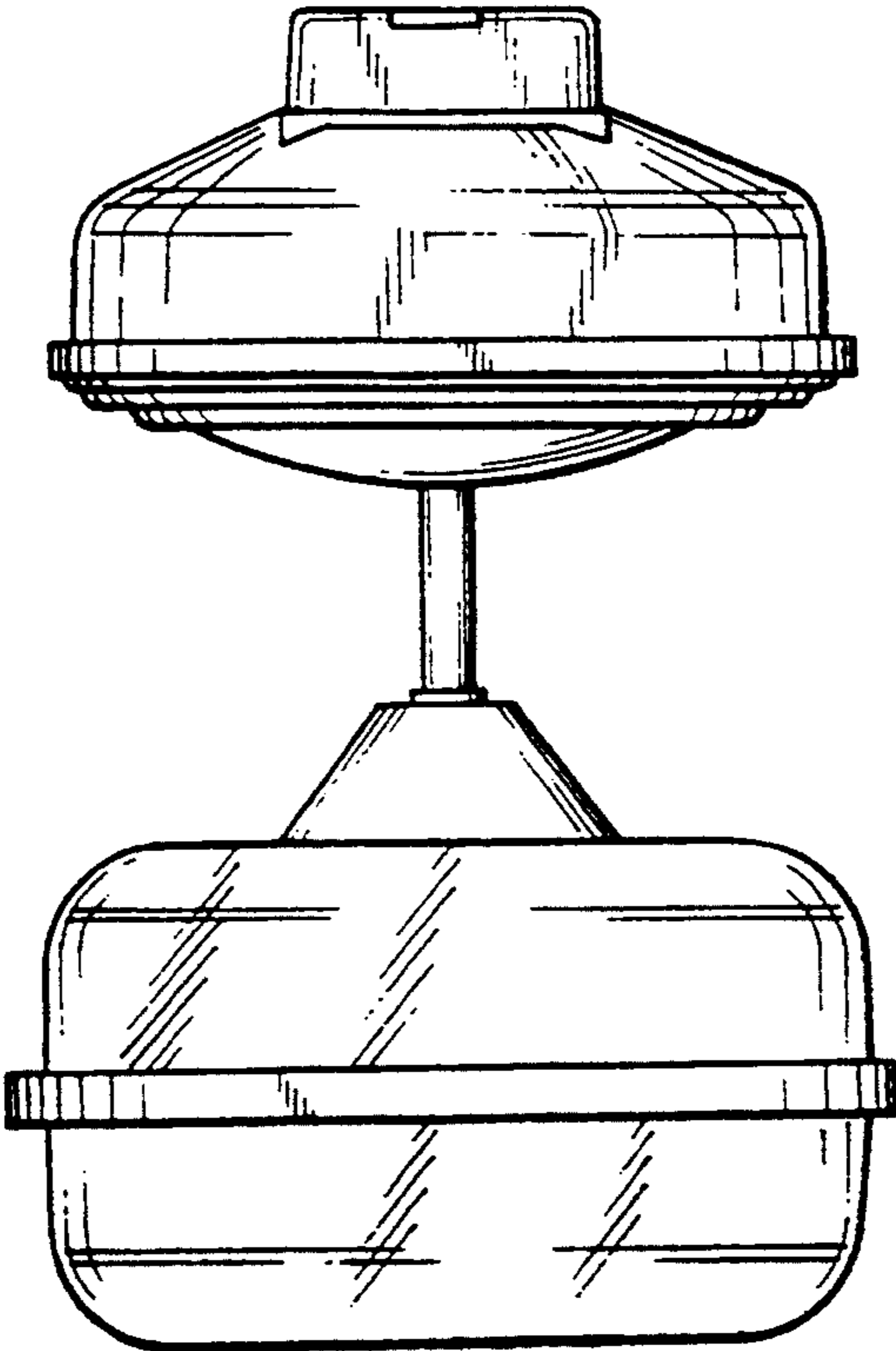


fig-6