



US00D350619S

# United States Patent [19]

[11] Patent Number: Des. 350,619

Yu

[45] Date of Patent: \*\* Sep. 13, 1994

[54] CLAMP-ON LAMP

[76] Inventor: Abraham Yu, No. 9-9, Lane 8, Sec. 1, Cheng Tai Road, Wu Ku Hsiang, Taipei Hsien, Taiwan

[\*\*] Term: 14 Years

[21] Appl. No.: 12,875

[22] Filed: Sep. 13, 1993

[52] U.S. Cl. .... D26/60

[58] Field of Search ..... 362/269, 277, 418, 419, 362/427, 190, 191, 396, 399, 400, 376; D26/37, 44, 60, 61, 63, 65, 138, 130

### [56] References Cited

#### U.S. PATENT DOCUMENTS

D. 204,792 5/1966 Collings ..... D26/60

D. 287,644	1/1987	Gierke	.....	D26/60
4,678,153	7/1987	Maddock et al.	.....	362/396 X
4,935,854	6/1990	Kernodle	.....	362/419 X
5,205,645	4/1993	Lee	.....	362/427 X

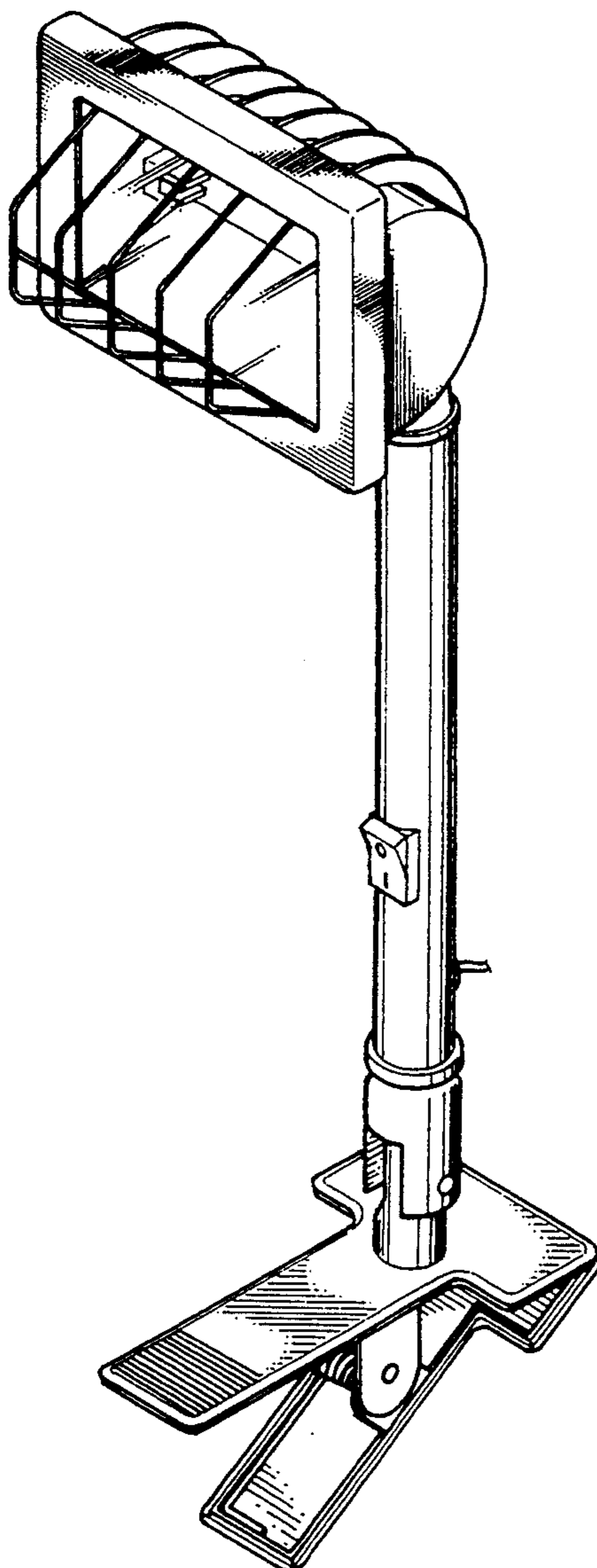
Primary Examiner—Susan J. Lucas  
Attorney, Agent, or Firm—Ladas & Parry

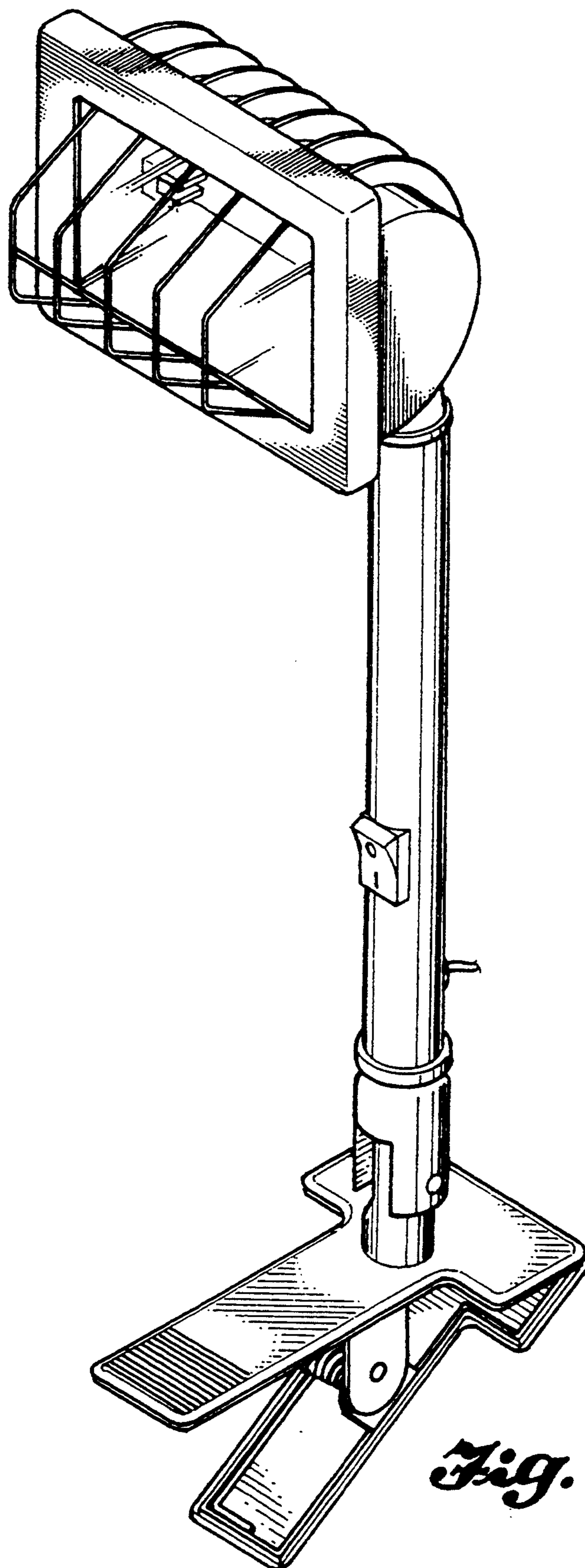
### [57] CLAIM

The ornamental design for a clamp-on lamp, as shown.

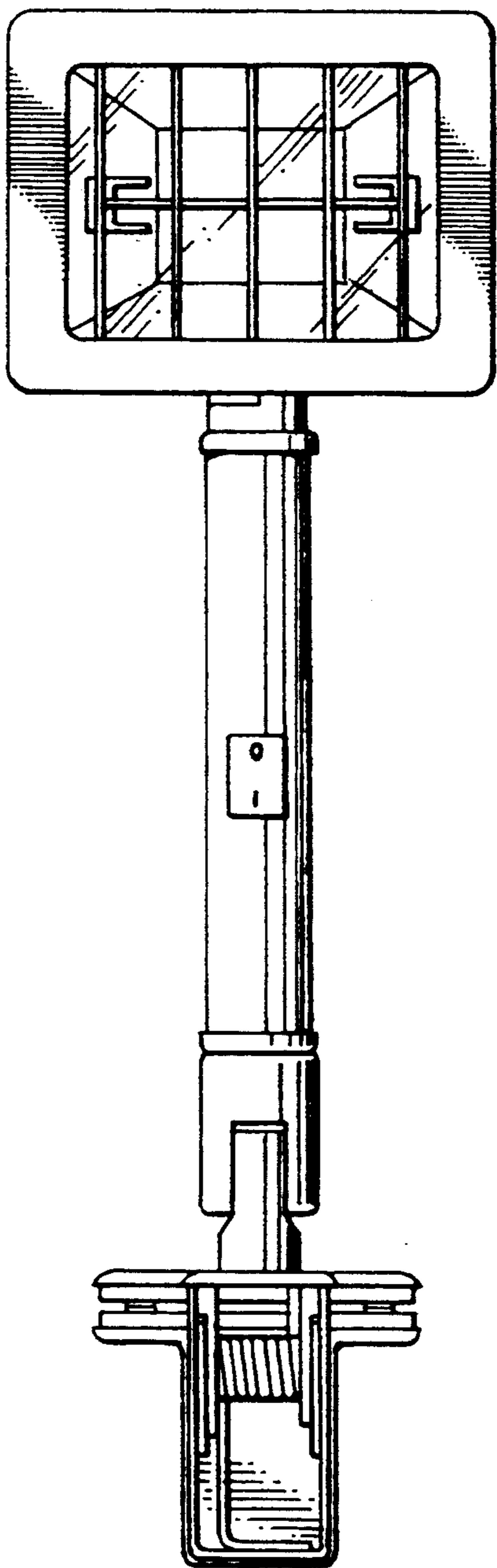
### DESCRIPTION

FIG. 1 is a perspective view of a clamp-on lamp my new design;  
FIG. 2 is a front elevational view thereof;  
FIG. 3 is a rear elevational view thereof;  
FIG. 4 is a left side elevational view thereof;  
FIG. 5 is a right side elevational view thereof;  
FIG. 6 is a top plan view thereof; and,  
FIG. 7 is a bottom plan view thereof.

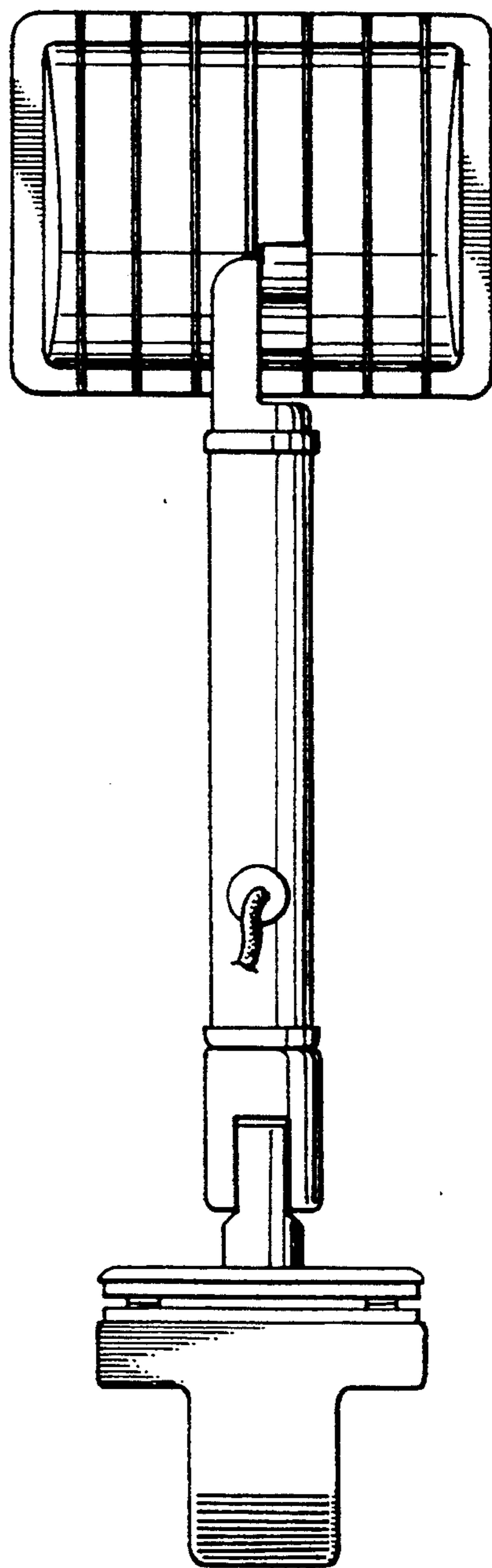




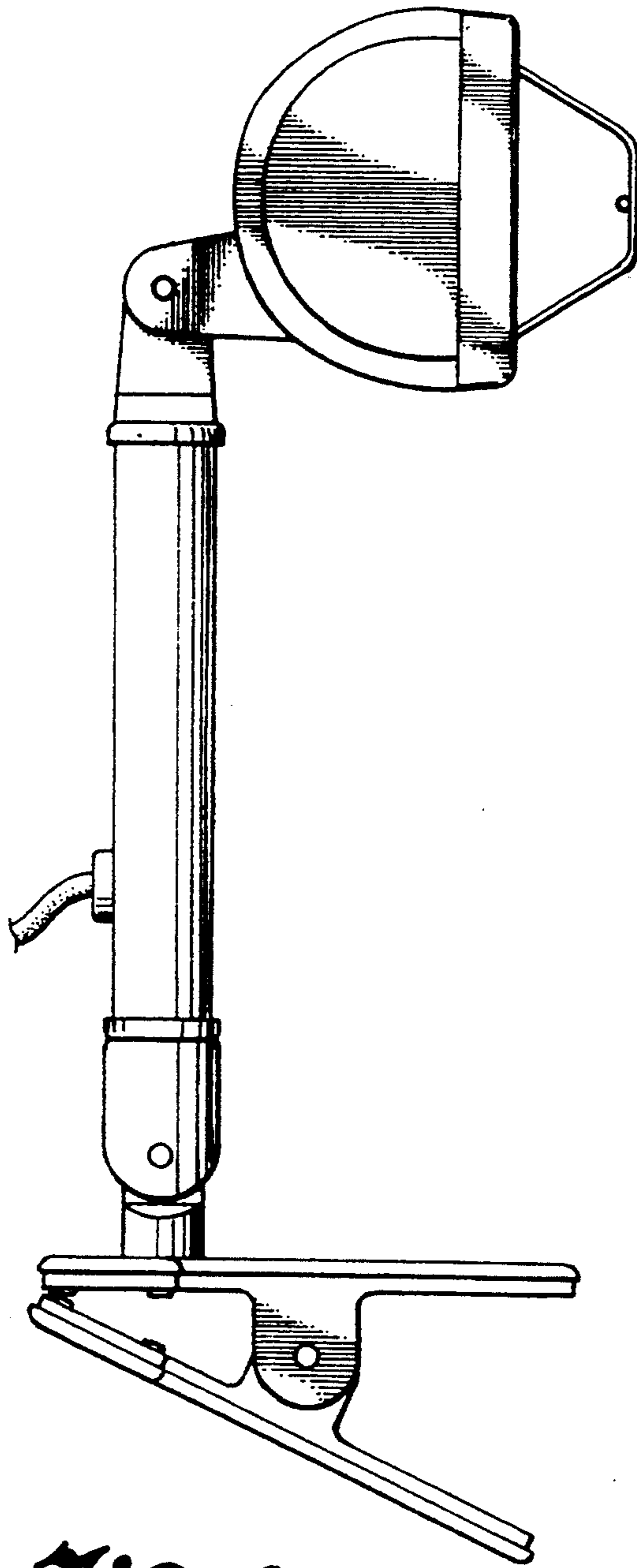
*Fig. 1*



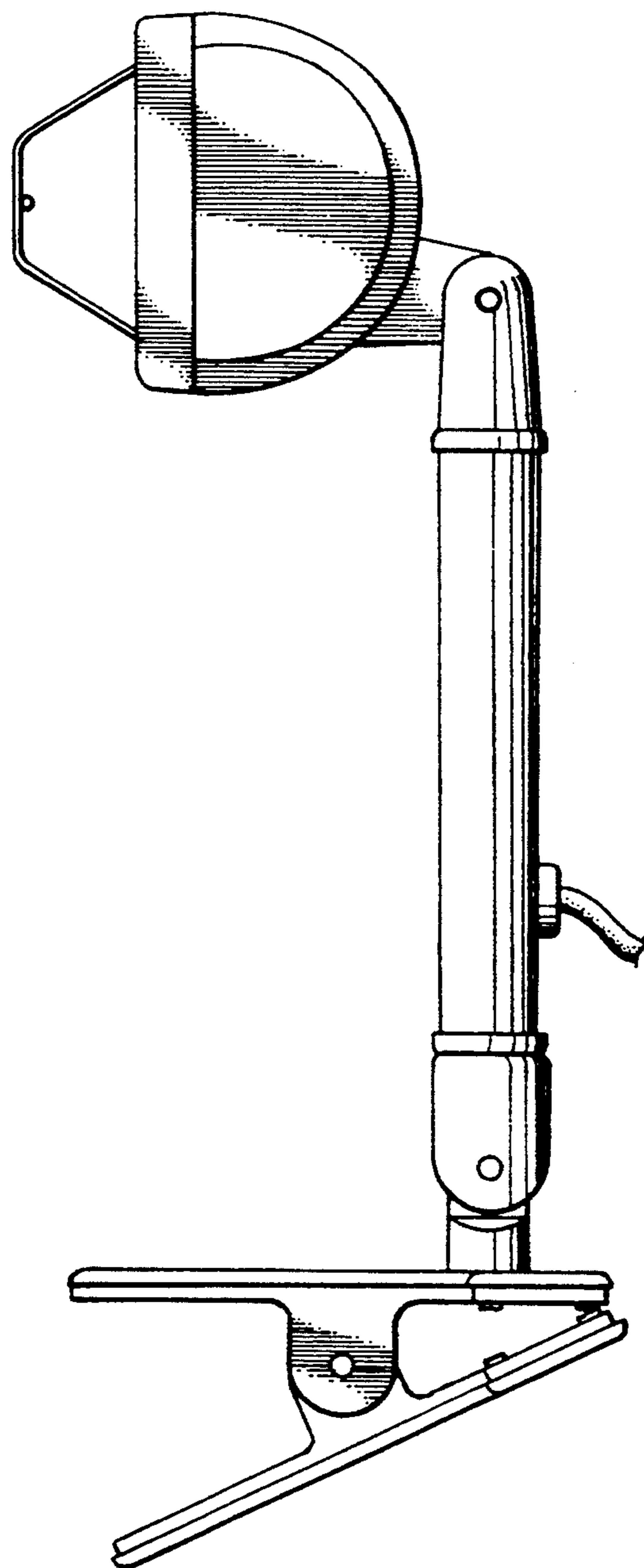
*Fig. 2*



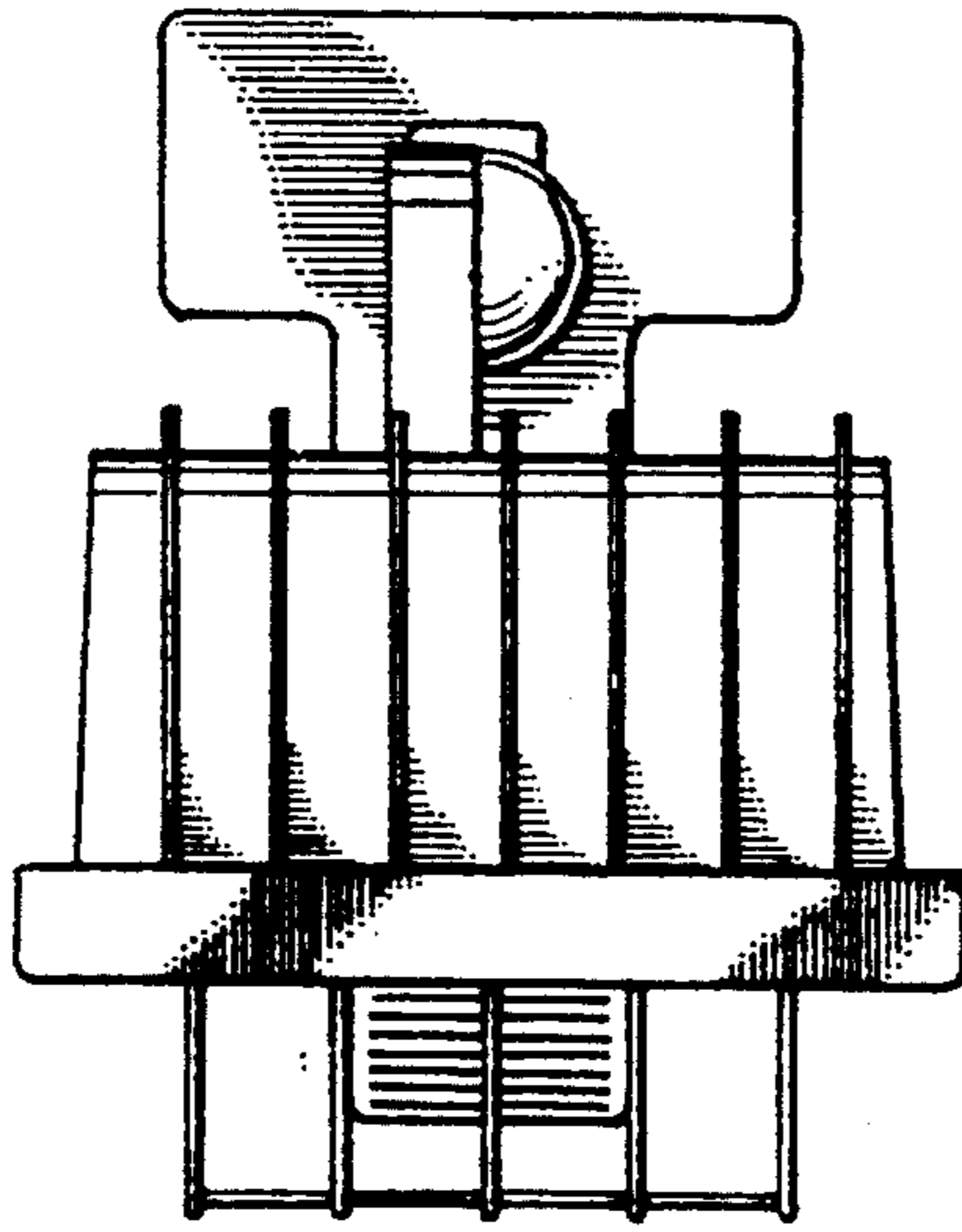
*Fig. 3*



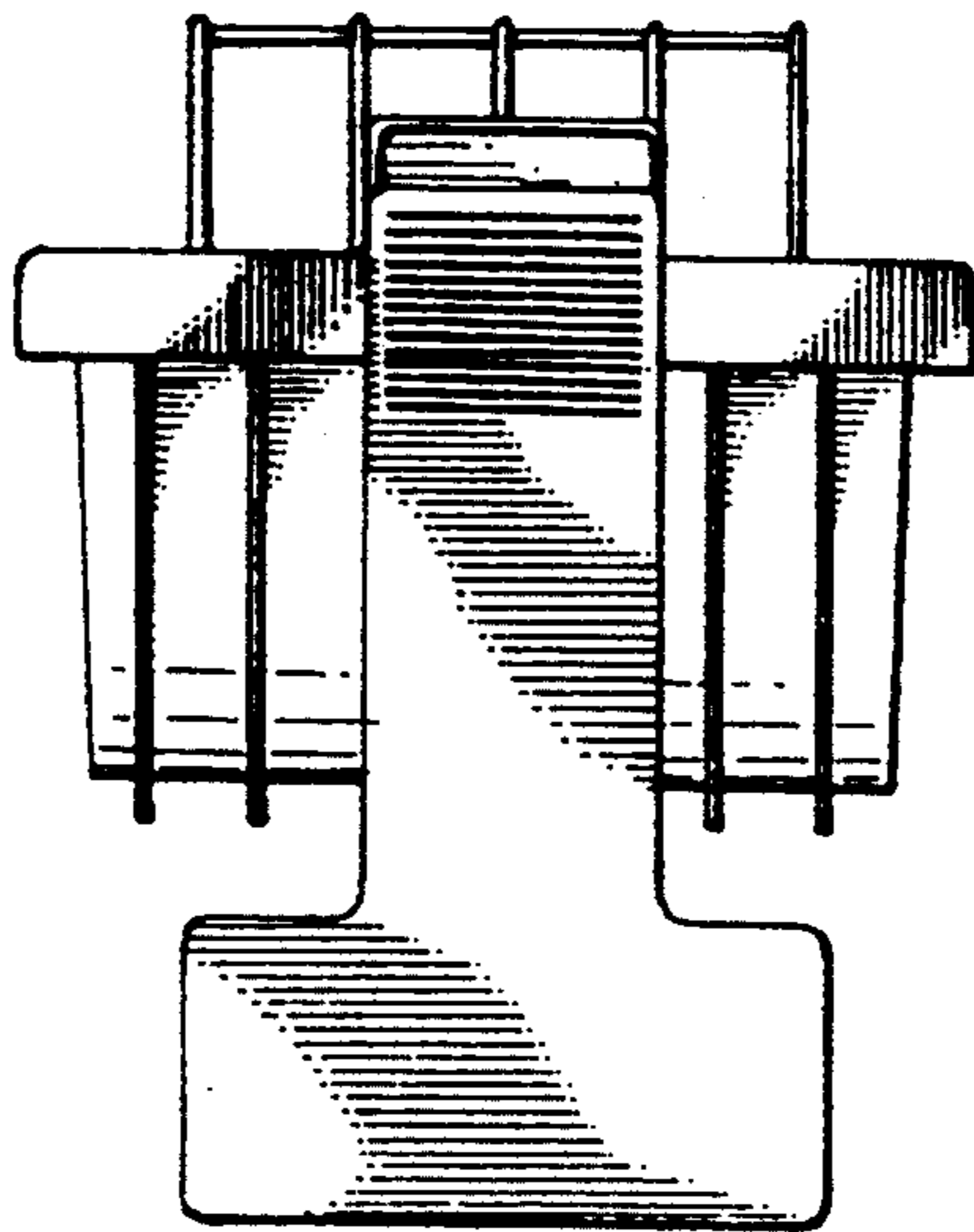
*Fig. 4*



*Fig. 5*



*Fig. 6*



*Fig. 7*