



US00D350618S

United States Patent [19] Parker

[11] Patent Number: **Des. 350,618**

[45] Date of Patent: **** Sep. 13, 1994**

[54] **VERSATILE USE FLASHLIGHT**

[76] Inventor: **David H. Parker**, 2255 Jefferson St.,
Torrance, Calif. 90501

[**] Term: **14 Years**

[21] Appl. No.: **9,834**

[22] Filed: **Feb. 1, 1993**

[52] U.S. Cl. **D26/37**

[58] Field of Search 362/100, 103, 157, 158,
362/184, 188-203; D26/37-50

[56] **References Cited**

U.S. PATENT DOCUMENTS

D. 303,846 10/1989 Parker D26/46

OTHER PUBLICATIONS

Museum of Modern Art Gift Catalog, p. 38, Bicycle Light.

Primary Examiner—Susan J. Lucas

Attorney, Agent, or Firm—Matthew P. Lynch

[57] **CLAIM**

The ornamental design for a versatile use flashlight, as shown and described.

DESCRIPTION

FIG. 1 is a front view of the versatile use flashlight showing my new design;

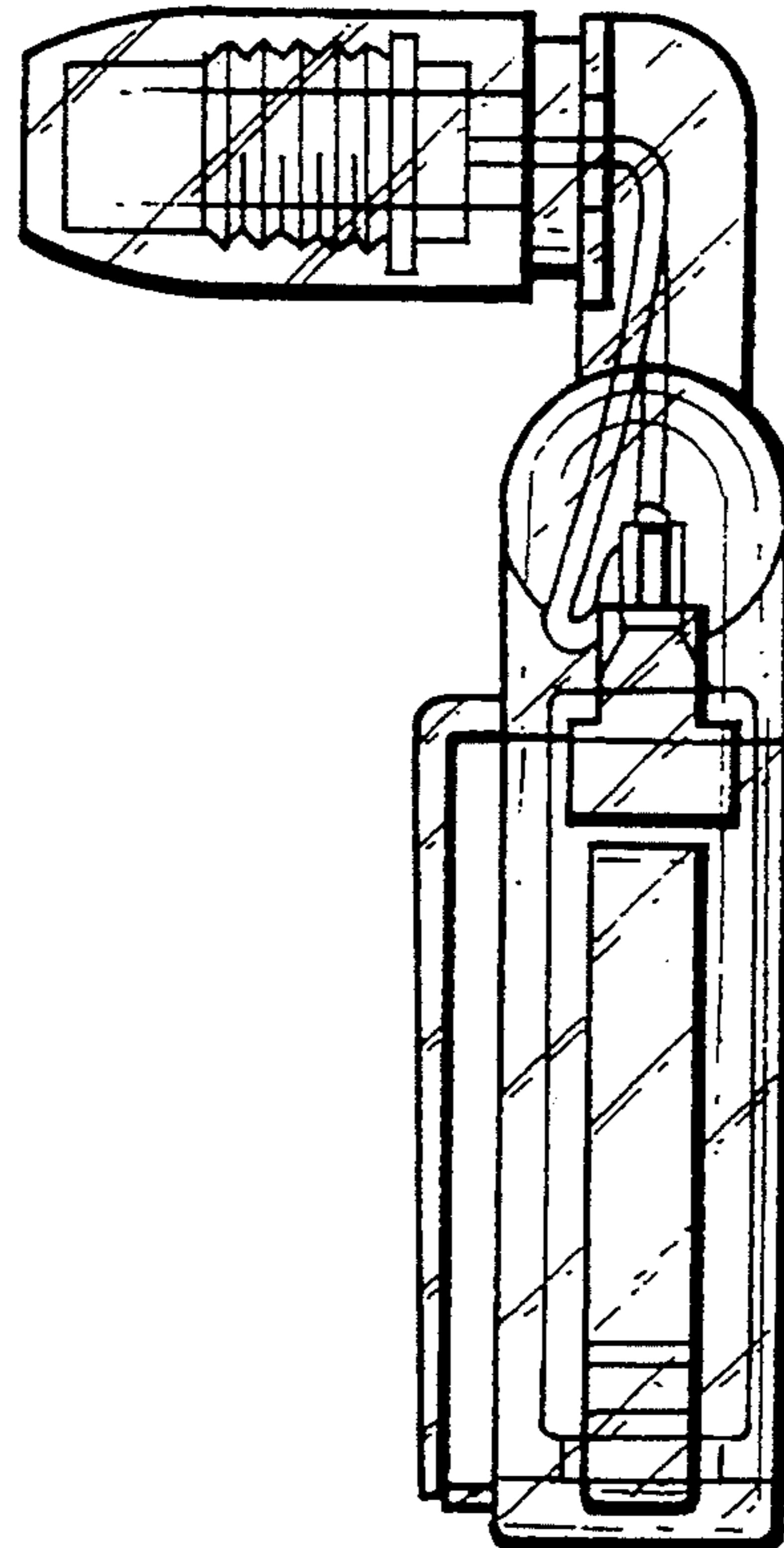
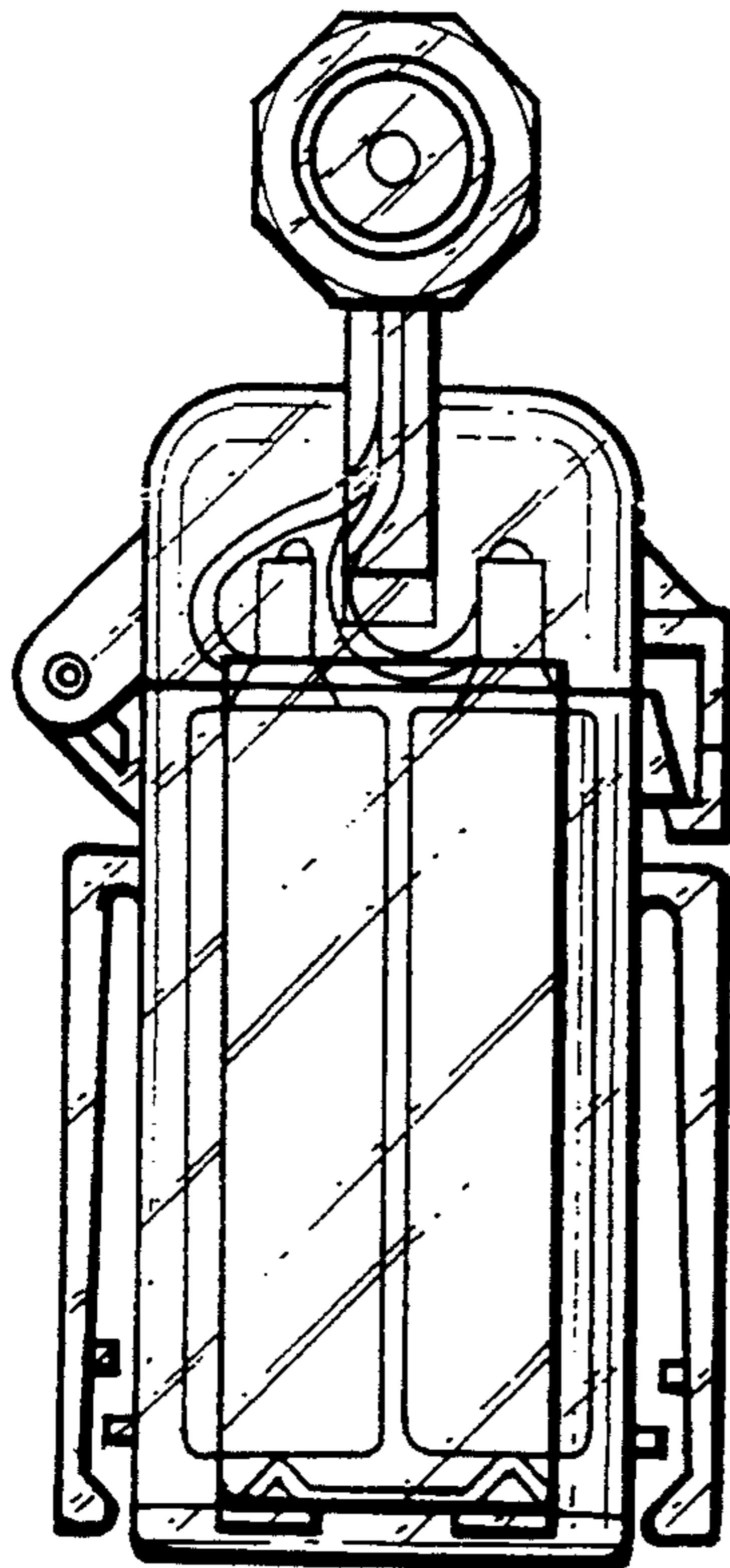
FIG. 2 is a right side elevational view thereof;

FIG. 3 is a rear elevational view thereof;

FIG. 4 is a left side elevational view thereof;

FIG. 5 is a top plan view thereof; and,

FIG. 6 is a bottom plan view thereof.



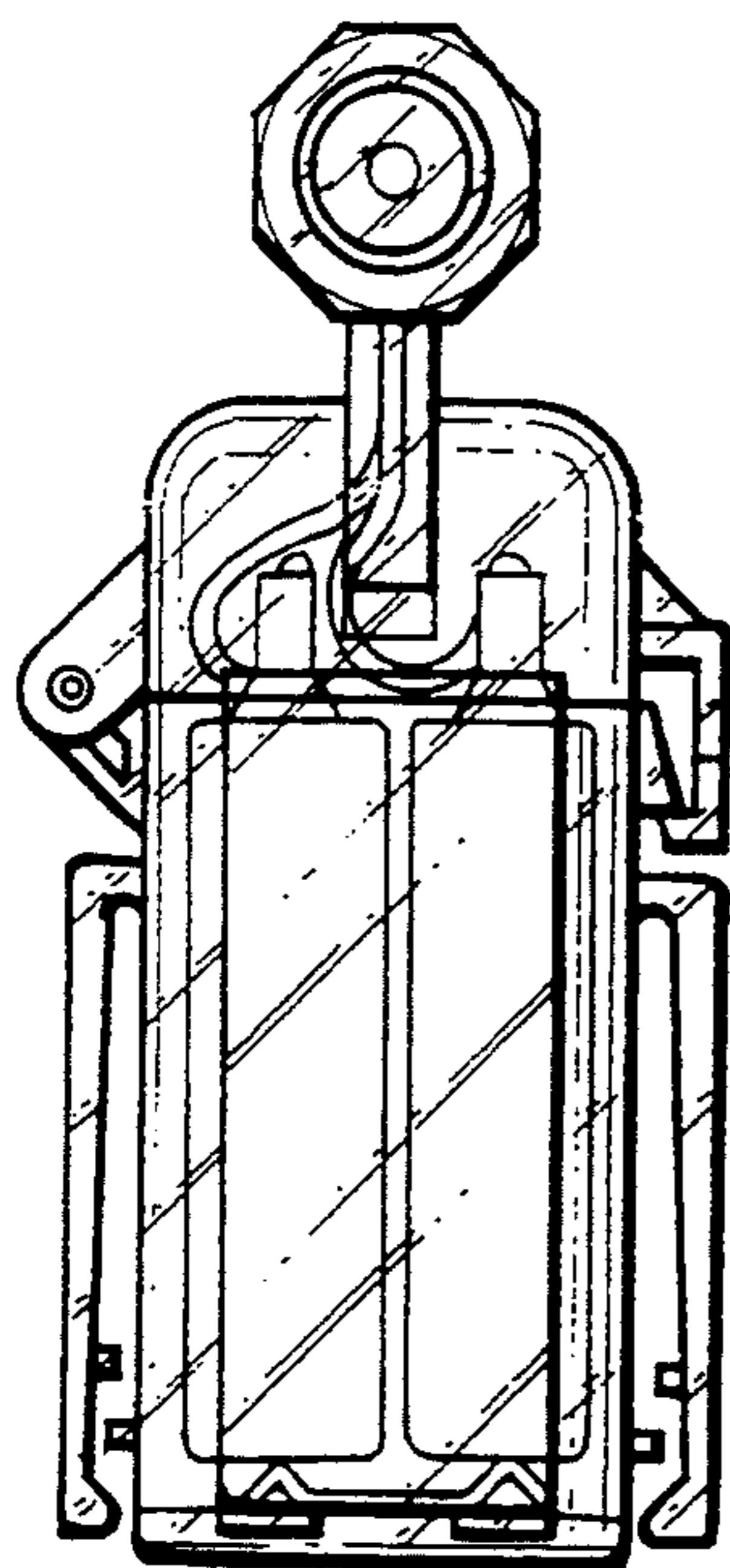


Fig. 1.

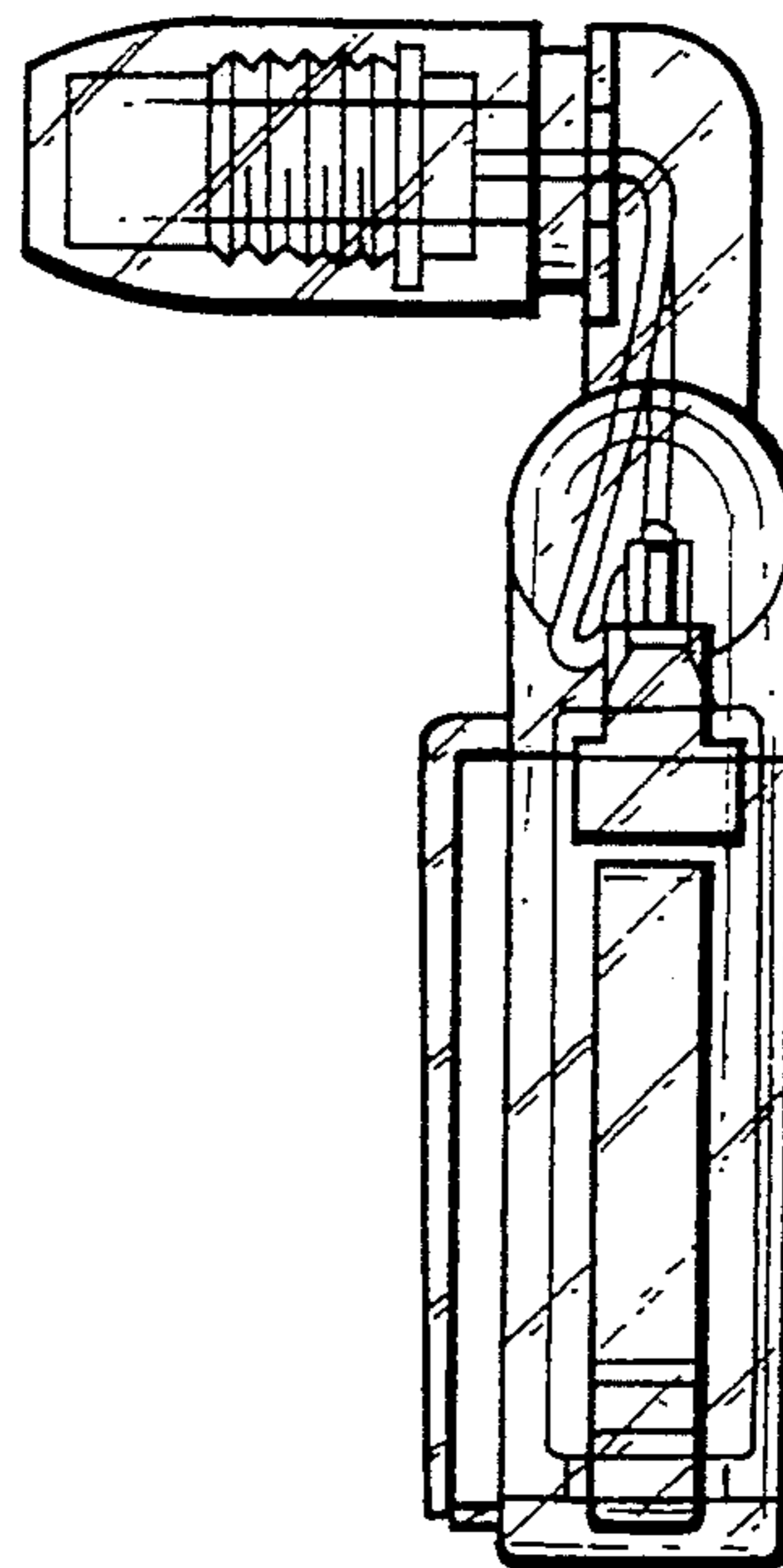


Fig. 2.

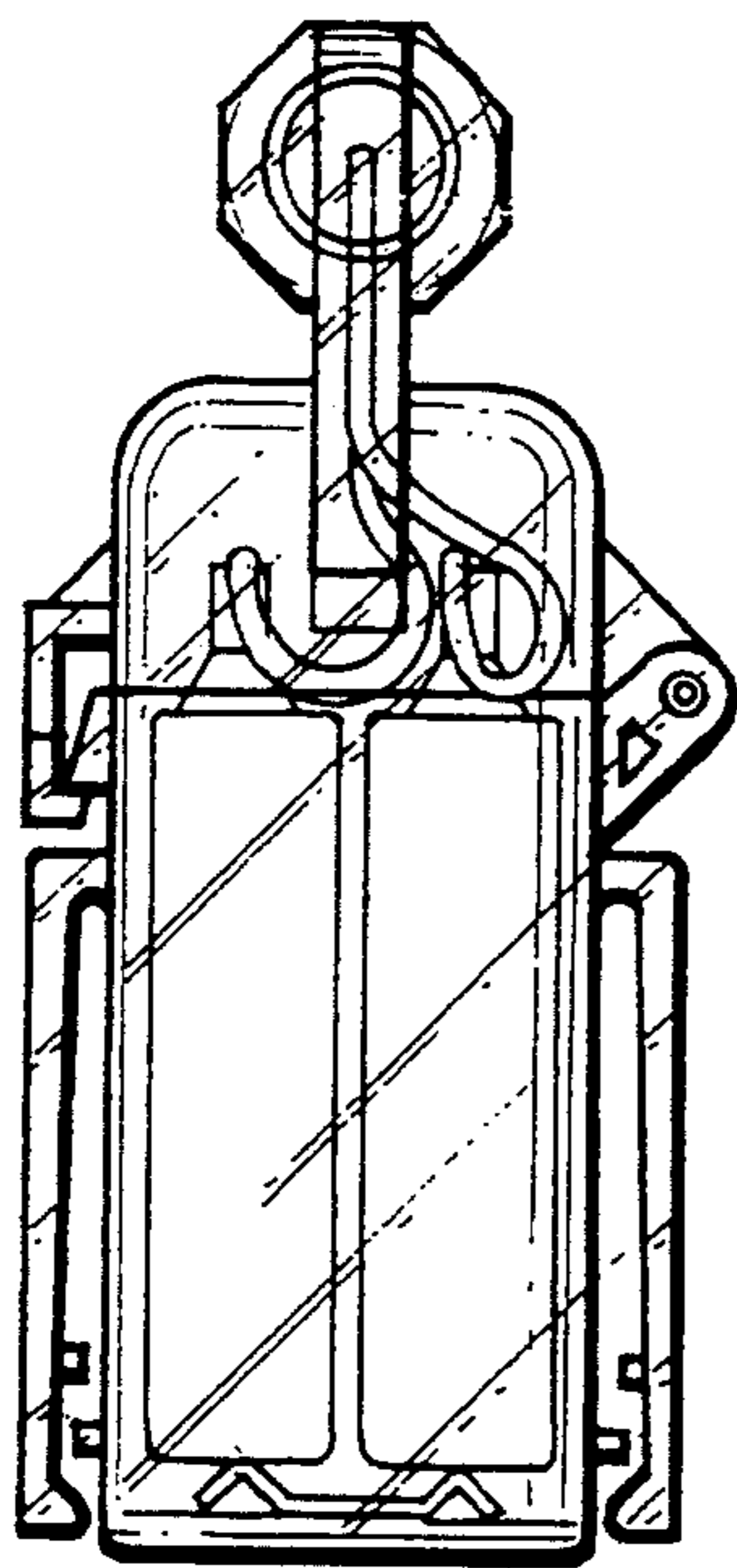


Fig. 3.

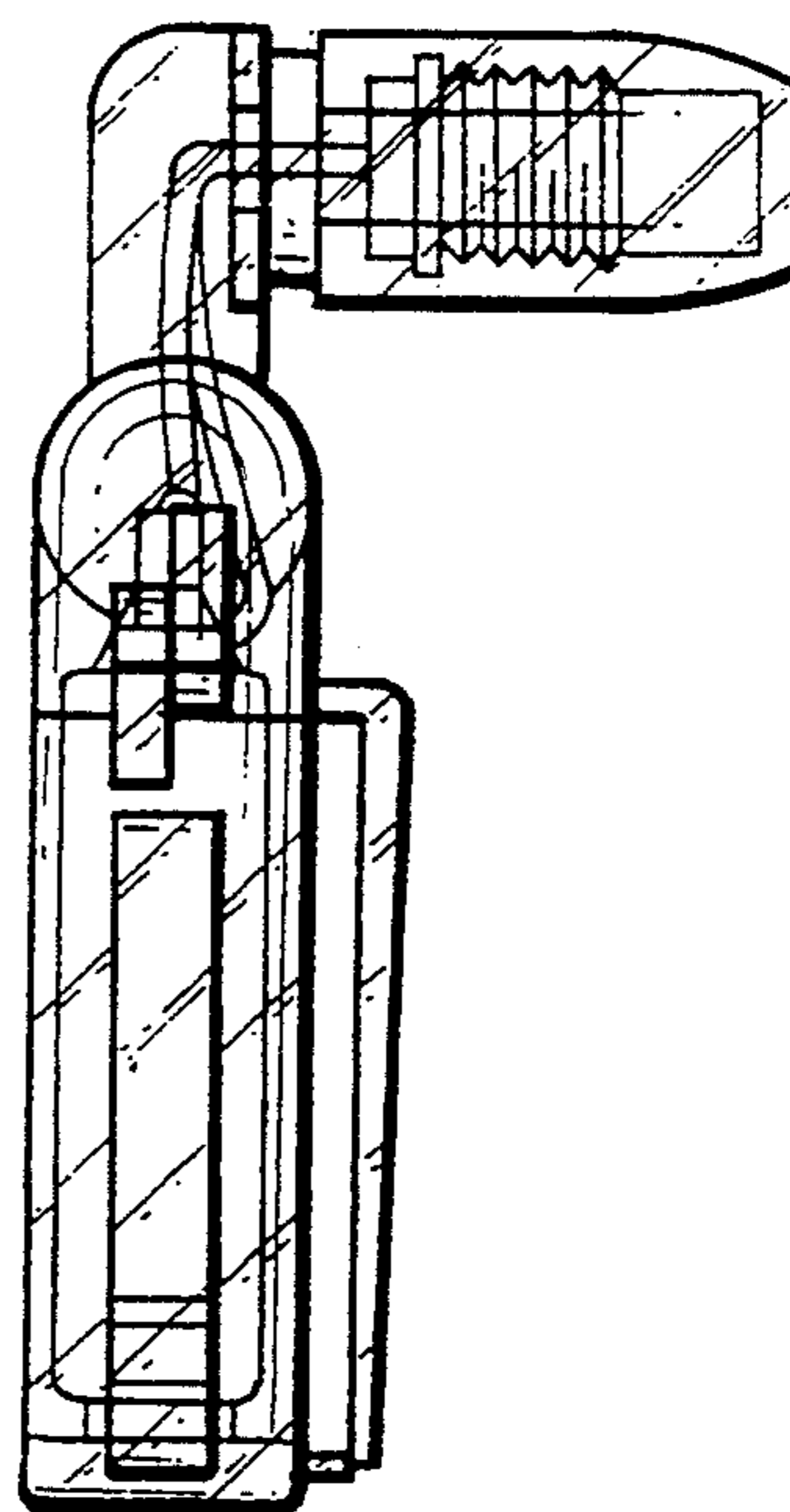


Fig. 4.

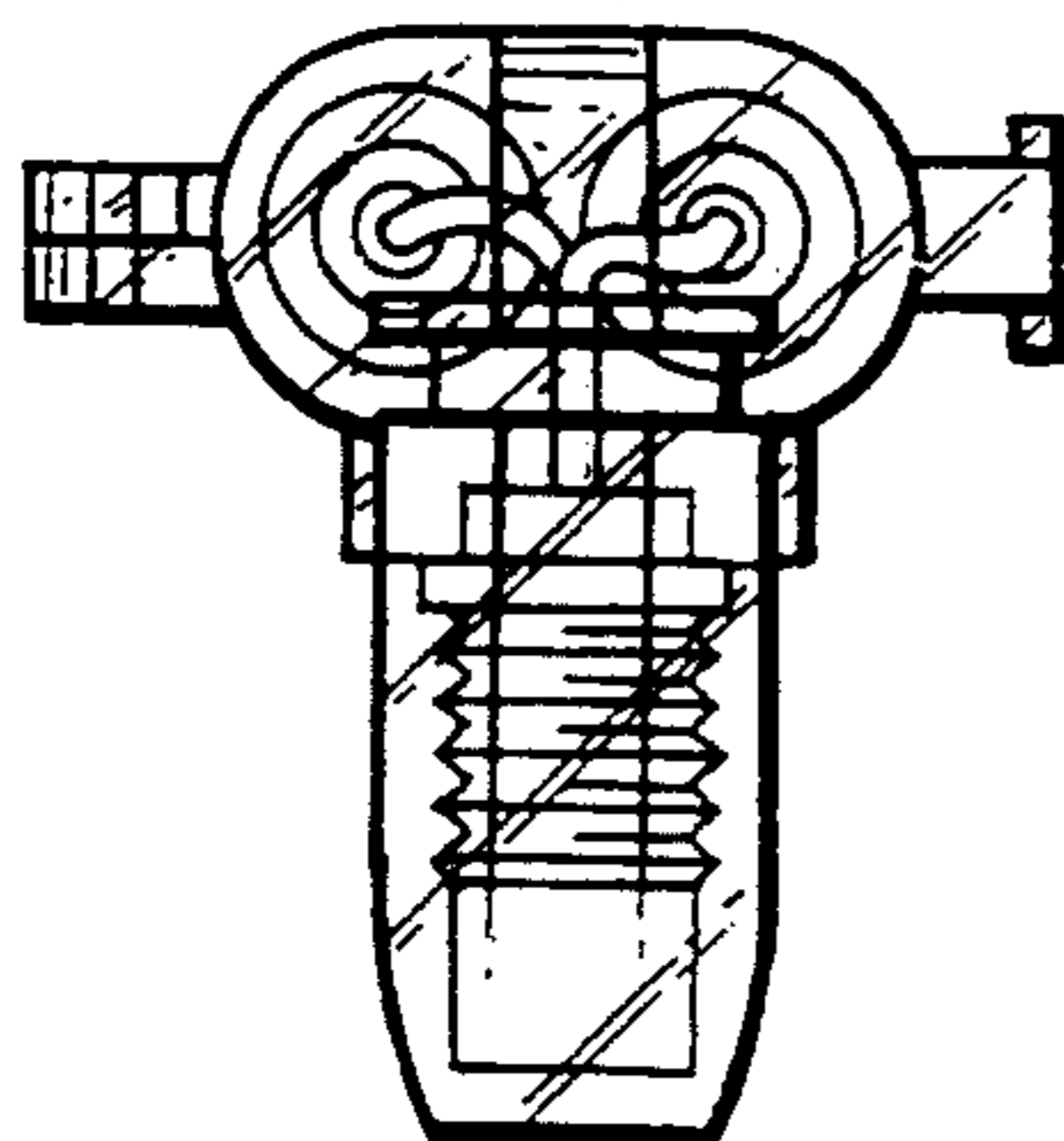


Fig. 5.

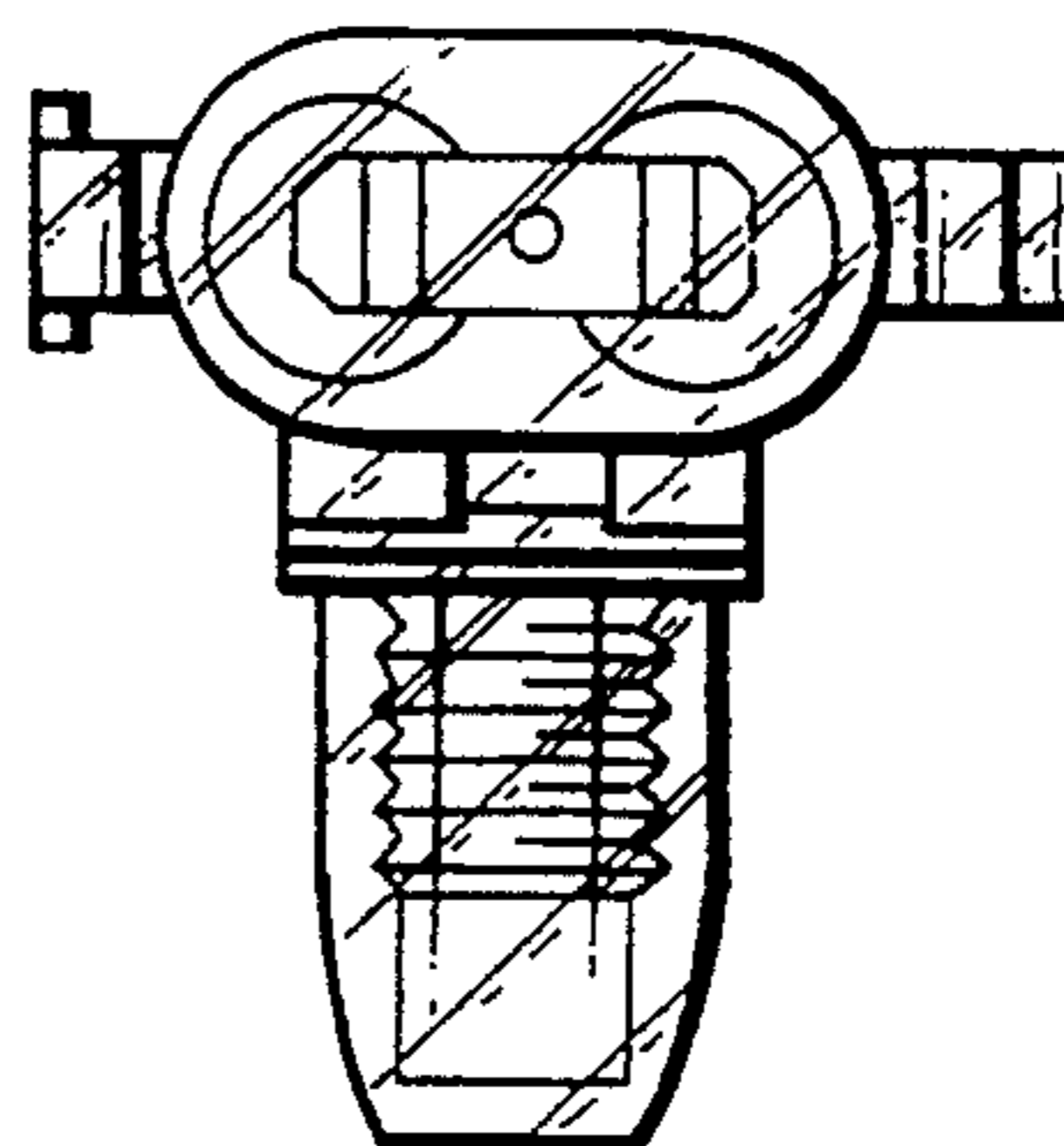


Fig. 6.