



US00D350612S

United States Patent [19]
Gullblom

[11] **Patent Number: Des. 350,612**

[45] **Date of Patent: ** Sep. 13, 1994**

[54] **UPPER CARRIER TRACK**

[76] **Inventor: Leif Gullblom, Kungsgatan 10, S-736 00 Kungsör, Sweden**

[**] **Term: 14 Years**

[21] **Appl. No.: 873,271**

[22] **Filed: Apr. 22, 1992**

[30] **Foreign Application Priority Data**
 Oct. 28, 1991 [SE] Sweden 91-2135

[52] **U.S. Cl. D25/121**

[58] **Field of Search D8/377; 174/48, 93, 174/58, 101, 102.2, 68.3; 138/115, 118.1; 248/51, 56; D13/155; D25/119-121; D15/138**

[56] **References Cited**
U.S. PATENT DOCUMENTS
 D. 266,143 9/1982 Smith D8/377

D. 267,776 2/1983 Holgersson et al. D25/121
 D. 293,098 12/1987 Layton D13/155
 D. 314,757 2/1991 Gecchelin D13/155
 2,292,395 8/1942 O'Brien 174/101
 3,240,233 3/1966 Johnston 138/118
 3,471,629 10/1969 O'Leary 138/115
 4,326,097 4/1982 Heinrichs, Jr. 248/56
 4,667,782 5/1987 Toase et al. 248/51

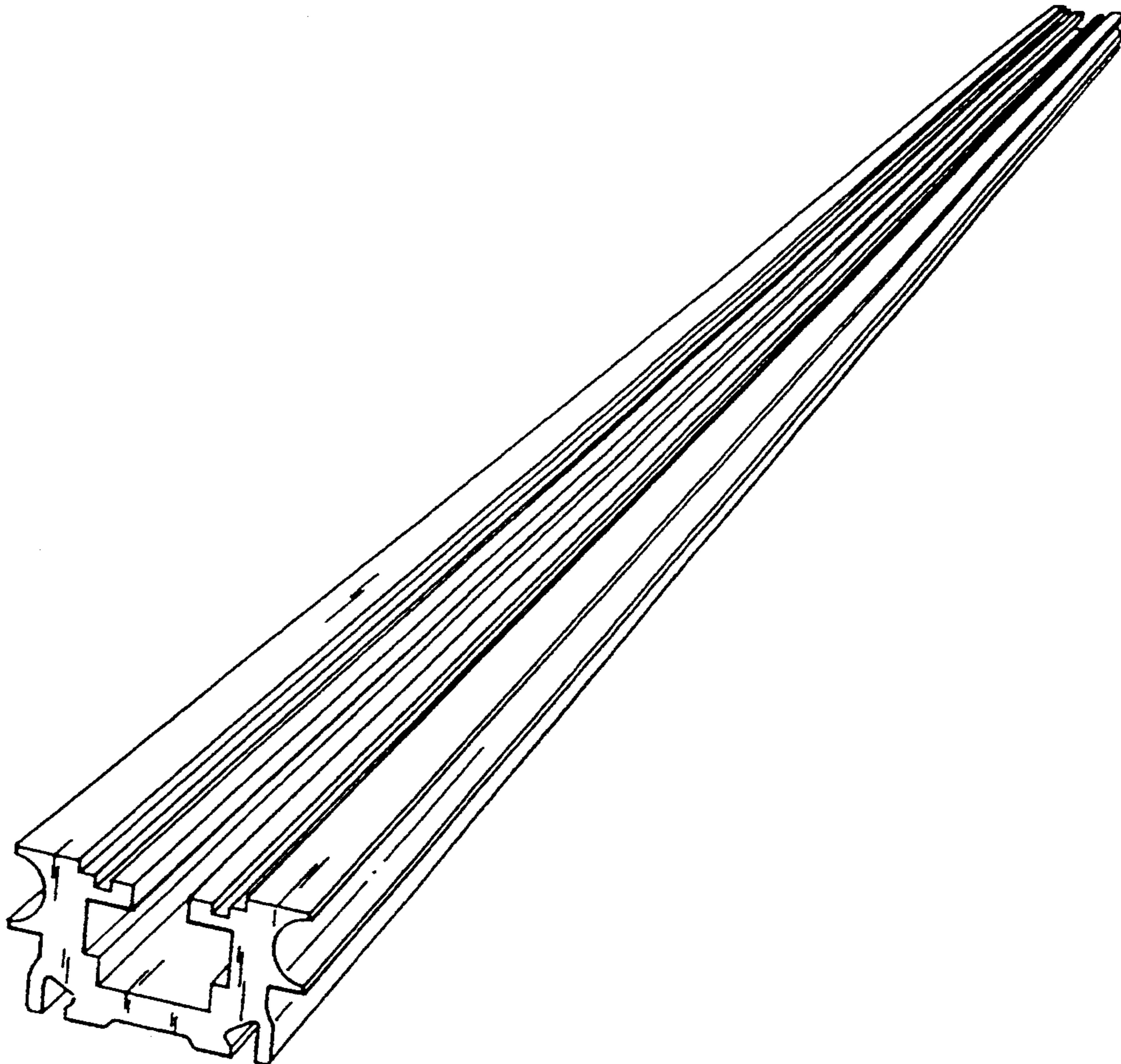
Primary Examiner—A. Hugo Word
Assistant Examiner—Doris Clark
Attorney, Agent, or Firm—Young & Thompson

[57] **CLAIM**

The ornamental design for upper carrier track, as shown and described.

DESCRIPTION

The FIGURE is a top perspective view of an upper carrier track showing my new design the lower portion of the upper carrier track shown being of consistent cross section throughout its length.



U.S. Patent

Sep. 13, 1994

Des. 350,612

