



US00D350611S

United States Patent [19] Scales

[11] Patent Number: **Des. 350,611**
[45] Date of Patent: **** Sep. 13, 1994**

[54] **RETAINING WALL BLOCK**
[76] Inventor: **John M. Scales, 6347 Rosecommon Dr., Norcross, Ga. 30092**
[**] Term: **14 Years**
[21] Appl. No.: **12,031**
[22] Filed: **Aug. 18, 1993**
[52] U.S. Cl. **D25/114**
[58] Field of Search 52/596, 602, 607-609; 405/284, 286; D25/112-115, 118, 151

4,123,881 11/1978 Muse 52/100
4,186,540 2/1980 Mullins 52/593
4,335,549 6/1982 Dean, Jr. 52/98
4,490,075 12/1984 Risi, et al. 405/273
4,698,949 10/1987 Dietrich 52/596
4,993,206 2/1991 Pardo 52/609

OTHER PUBLICATIONS

Earthbase Dynoblock-Mortarless Self-Interlocking Concrete Units, R & D Interlock International (1989), Inc. Brochure-1989.
Darmur-Retaining Walls-Square Grip-Brochure Sep. 1988.
Versa-Lok Retaining Wall Systems-Division of Kiltie Corp.-Brochure with Insert-"New for 1989".

[56] References Cited U.S. PATENT DOCUMENTS

| | | | |
|------------|---------|----------------------|---------|
| D. 60,253 | 1/1922 | McConville . | |
| D. 244,201 | 5/1977 | Muse | 25/87 |
| D. 250,484 | 12/1978 | Muse | 25/87 |
| D. 295,788 | 5/1988 | Forsberg | 25/113 |
| D. 296,007 | 5/1988 | Forsberg | 25/116 |
| D. 297,464 | 8/1988 | Forsberg | 25/114 |
| D. 297,574 | 9/1988 | Forsberg | 25/114 |
| D. 297,767 | 9/1988 | Forsberg | 25/58 |
| D. 298,463 | 11/1988 | Forsberg | 25/114 |
| D. 299,067 | 12/1988 | Forsberg | 25/58 |
| D. 300,253 | 3/1989 | Forsberg | 25/114 |
| D. 300,254 | 3/1989 | Forsberg | 25/114 |
| D. 305,938 | 2/1990 | Risi et al. | D25/113 |
| 534,462 | 2/1895 | Balsley . | |
| 945,859 | 1/1910 | Neuberger . | |
| 1,751,272 | 3/1930 | Forman . | |
| 2,036,131 | 3/1936 | Gaertner et al. | 72/18 |
| 2,201,110 | 5/1940 | Makram | 72/38 |
| 2,472,221 | 6/1949 | Malthouse | 72/37 |
| 2,684,589 | 7/1954 | Perreton | 72/41 |
| 2,688,245 | 9/1954 | Vesper | 72/41 |
| 2,703,487 | 3/1955 | Ossoinack | 72/41 |
| 2,882,689 | 4/1959 | Huch et al. | 405/284 |
| 3,379,017 | 4/1968 | Kusatake | 61/37 |
| 3,430,403 | 3/1969 | Muse | 52/437 |
| 3,430,404 | 3/1969 | Muse | 52/439 |
| 4,031,678 | 6/1977 | Schuring | 52/285 |

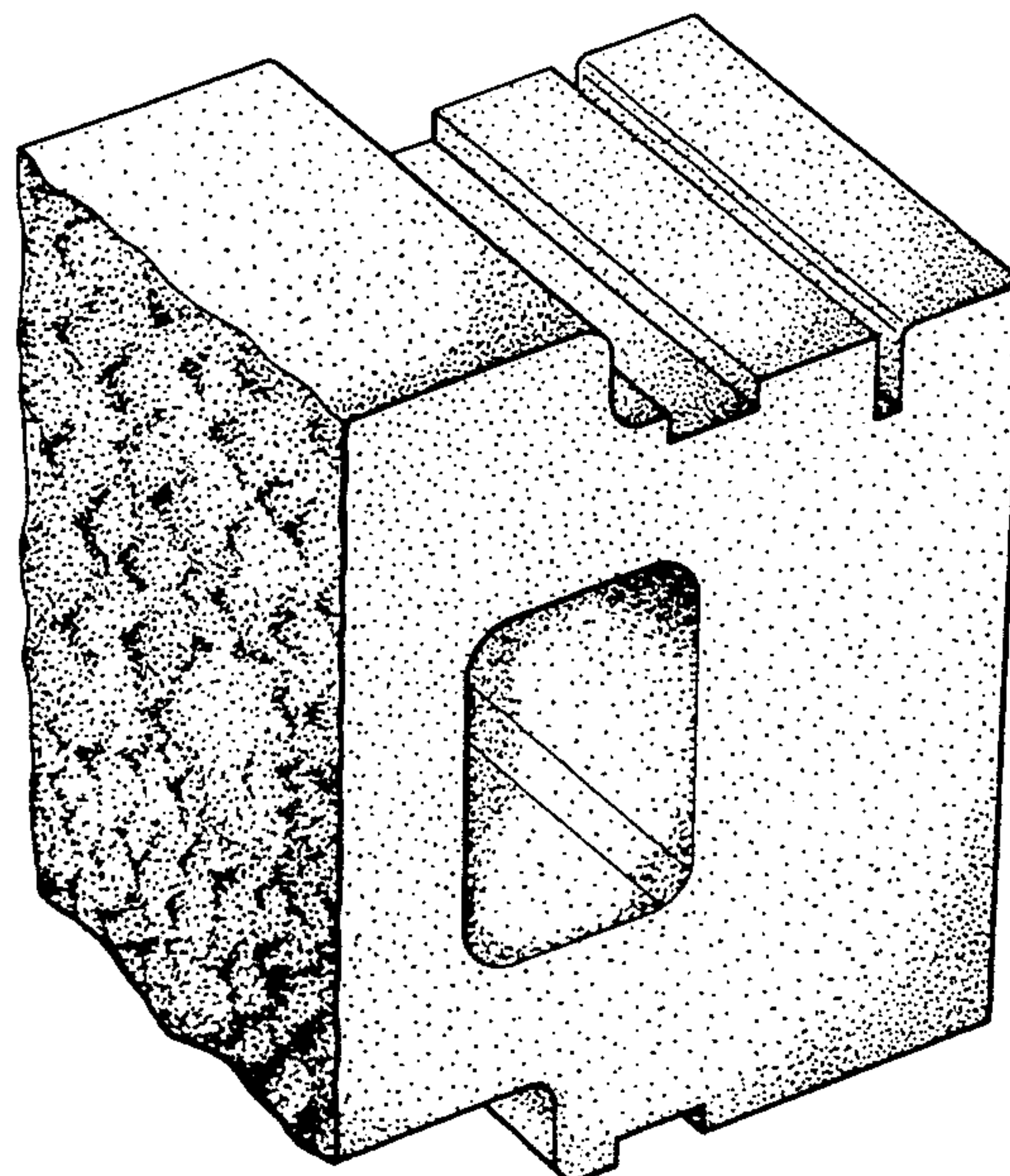
Primary Examiner—A. Hugo Word
Assistant Examiner—Doris Clark
Attorney, Agent, or Firm—Kennedy & Kennedy

[57] CLAIM

The ornamental design for a retaining wall block, as shown and described.

DESCRIPTION

FIG. 1 is a perspective view of a retaining wall block of my new design;
FIG. 2 is a top view thereof;
FIG. 3 is a bottom view thereof;
FIG. 4 is a front view thereof;
FIG. 5 is a rear view thereof;
FIG. 6 is a side view thereof, the opposite side being a mirror image thereof;
FIG. 7 is a perspective view of another embodiment of the retaining wall block of my new design; and,
FIG. 8 is a side view of the embodiment of FIG. 7, the opposite side being a mirror image thereof, with the top view, the bottom view, the front view, and the rear view of the embodiment of FIG. 7 being the same as that of the embodiment of FIG. 1 as shown in FIGS. 2, 3, 4, and 5, respectively.



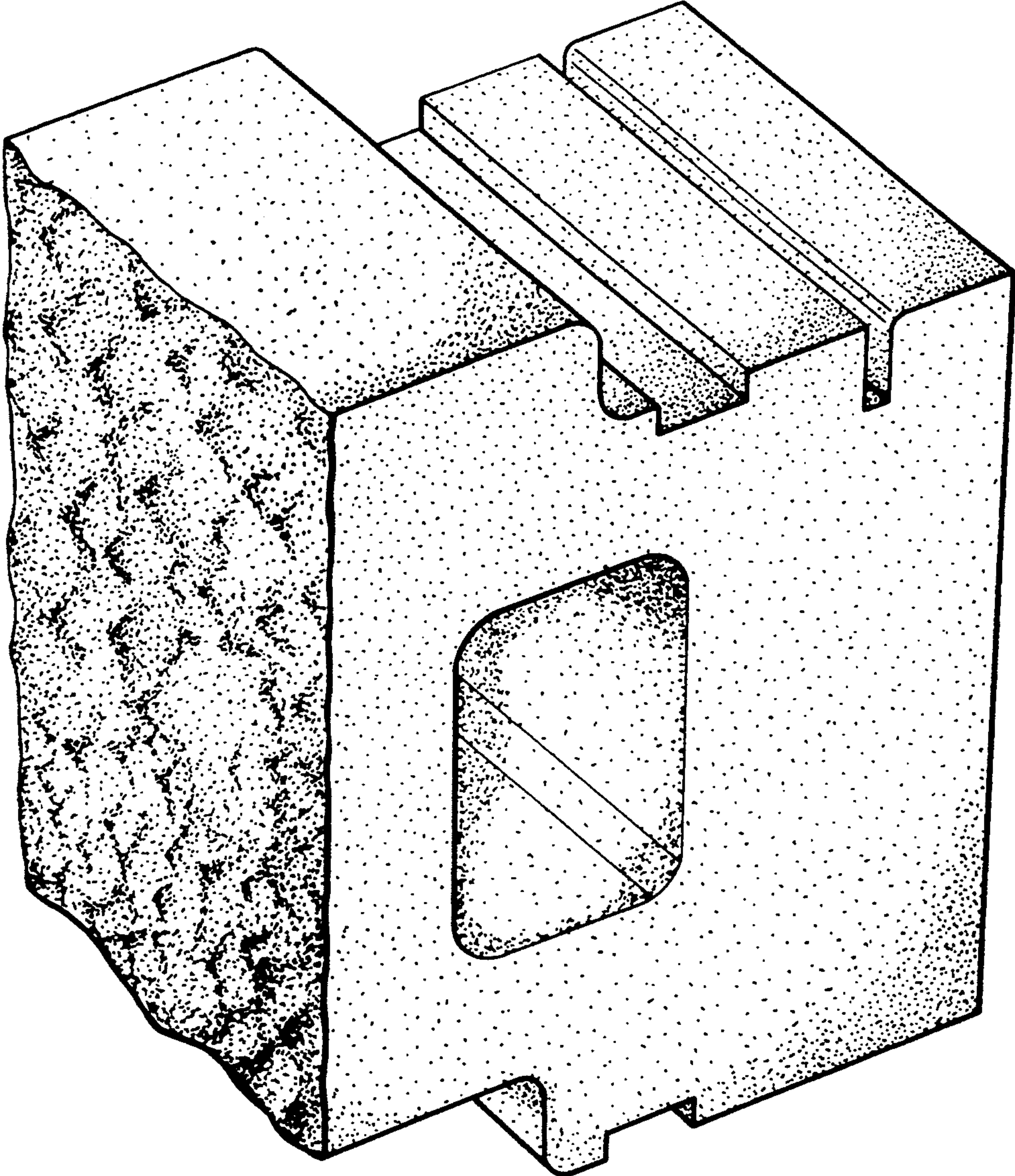


FIG 1

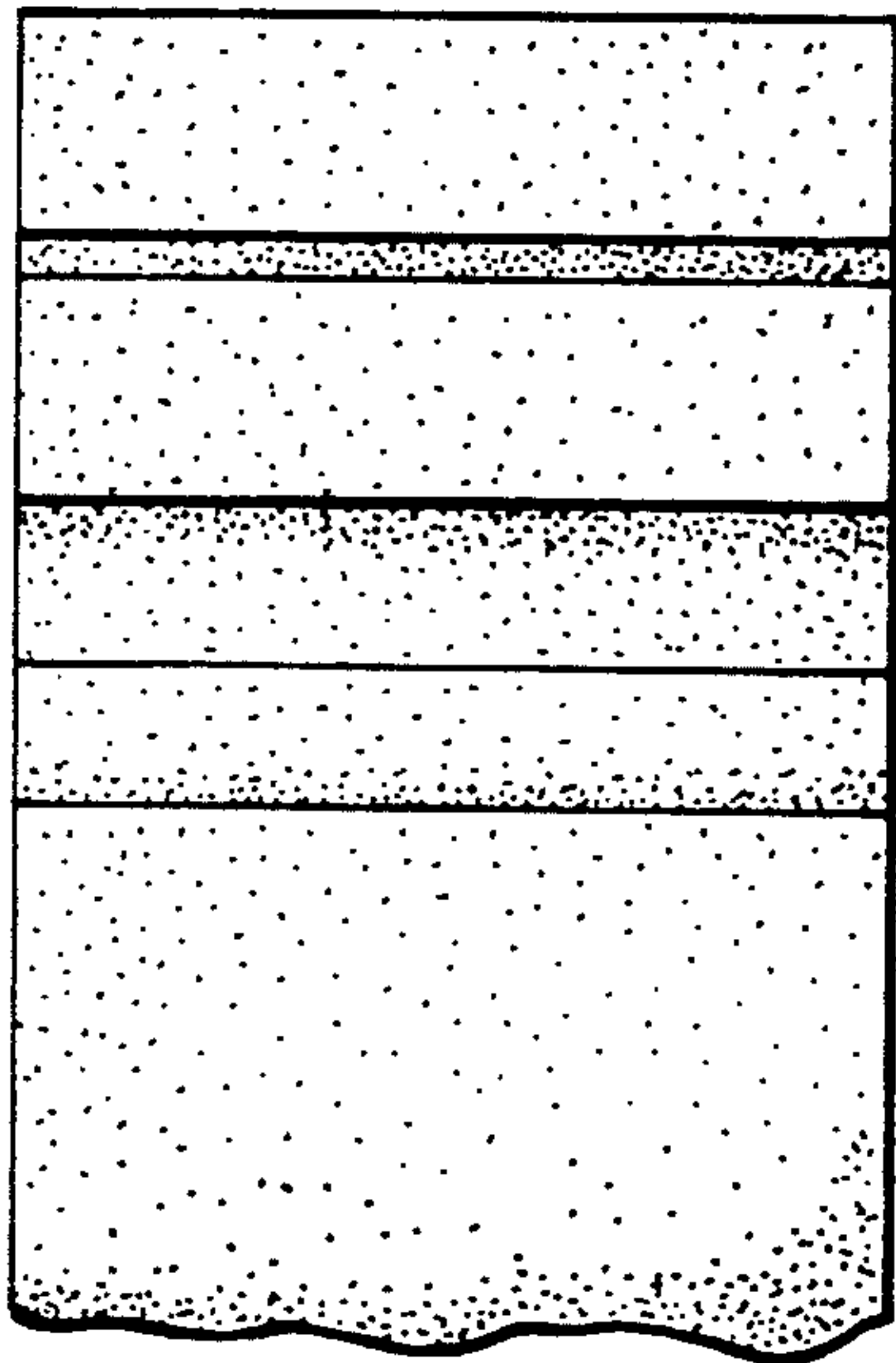


FIG 2

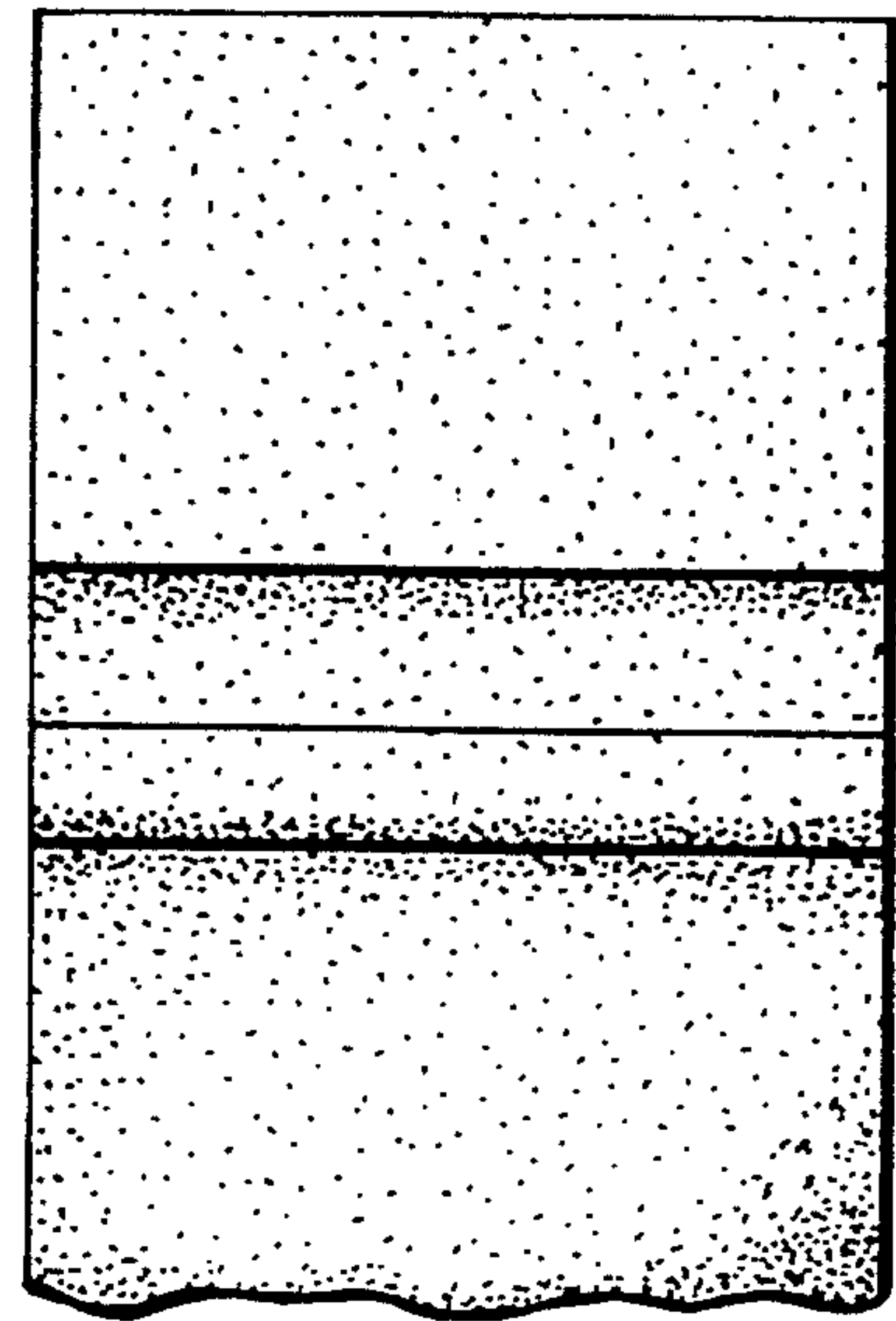


FIG 3

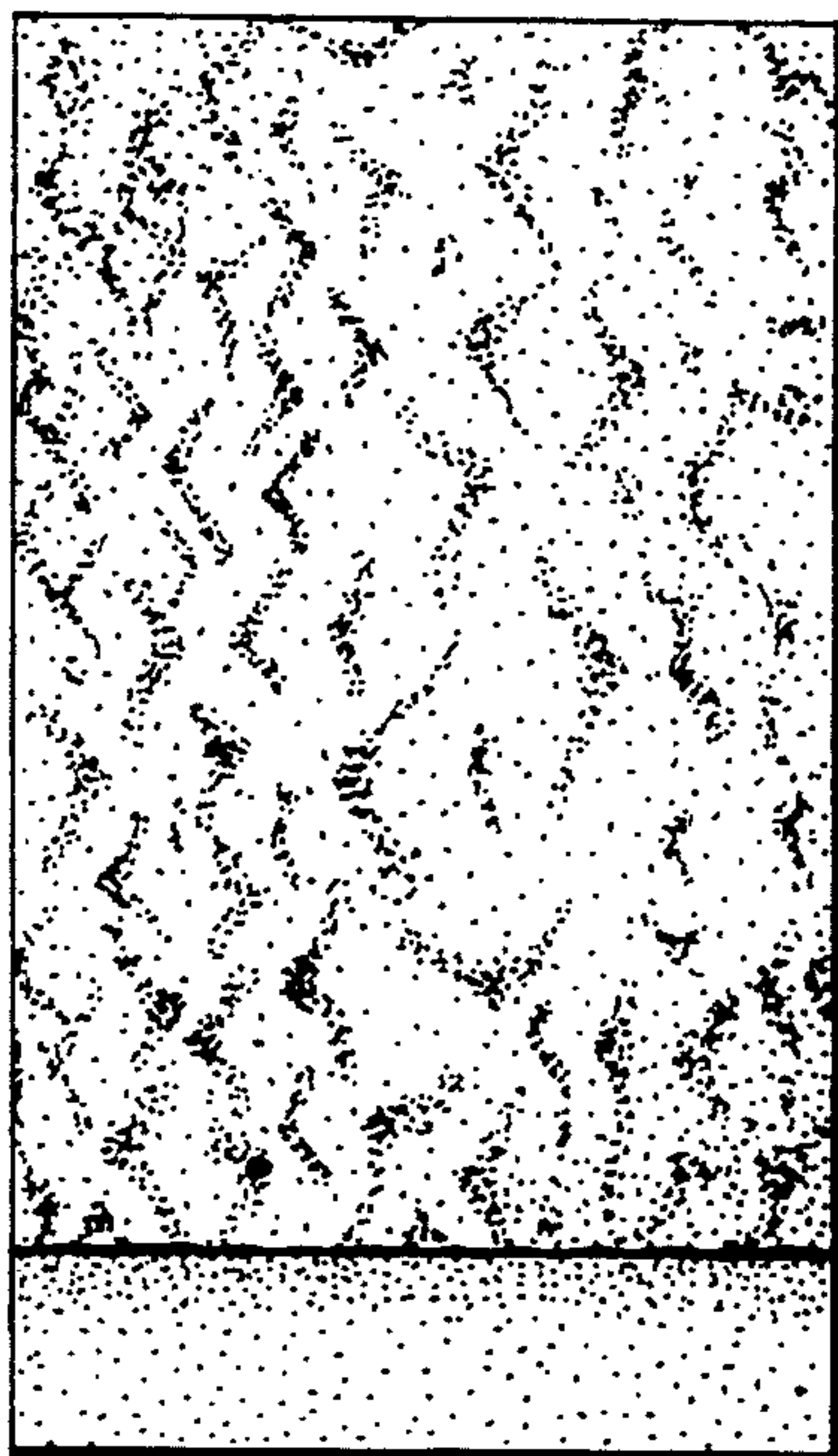


FIG 4

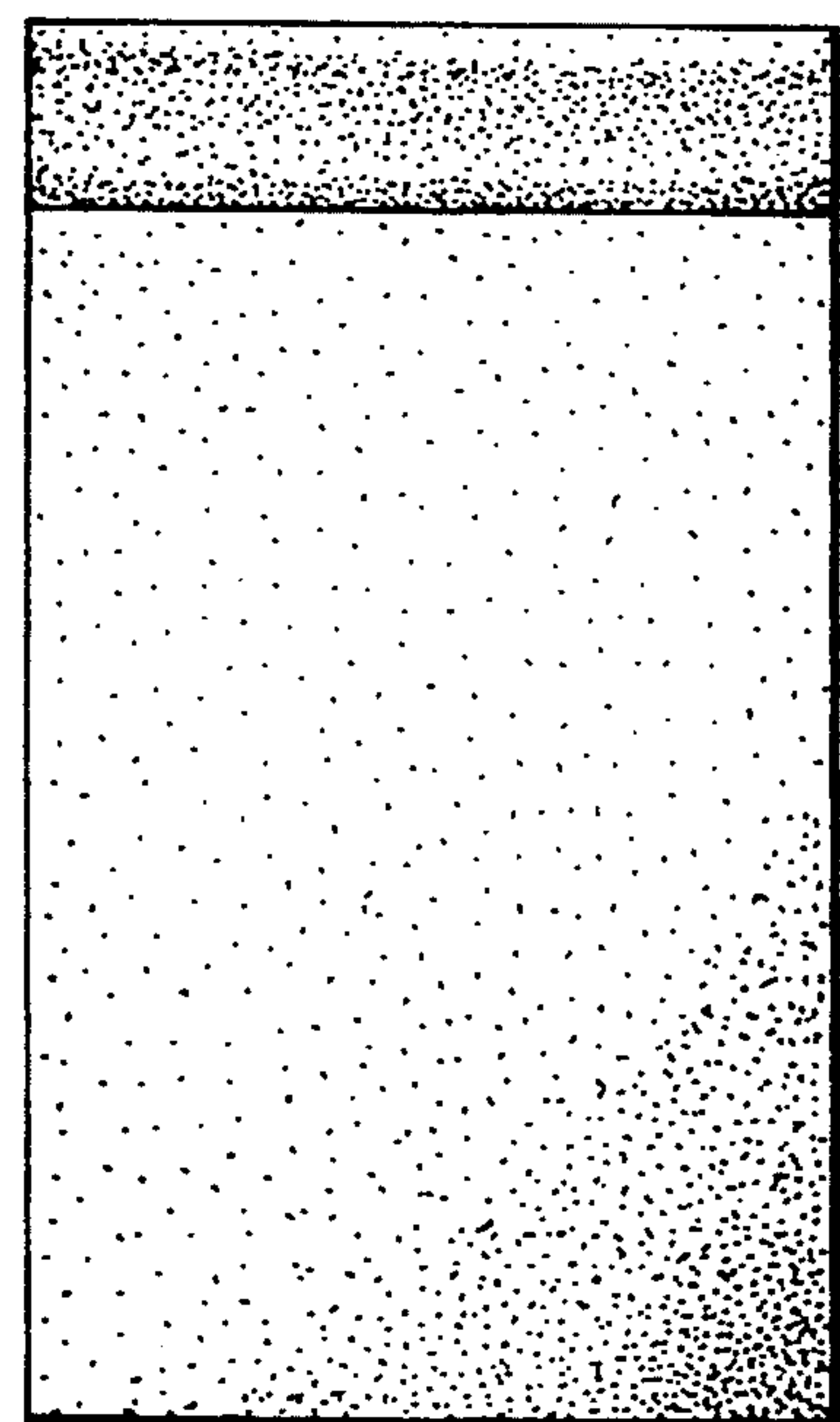


FIG 5

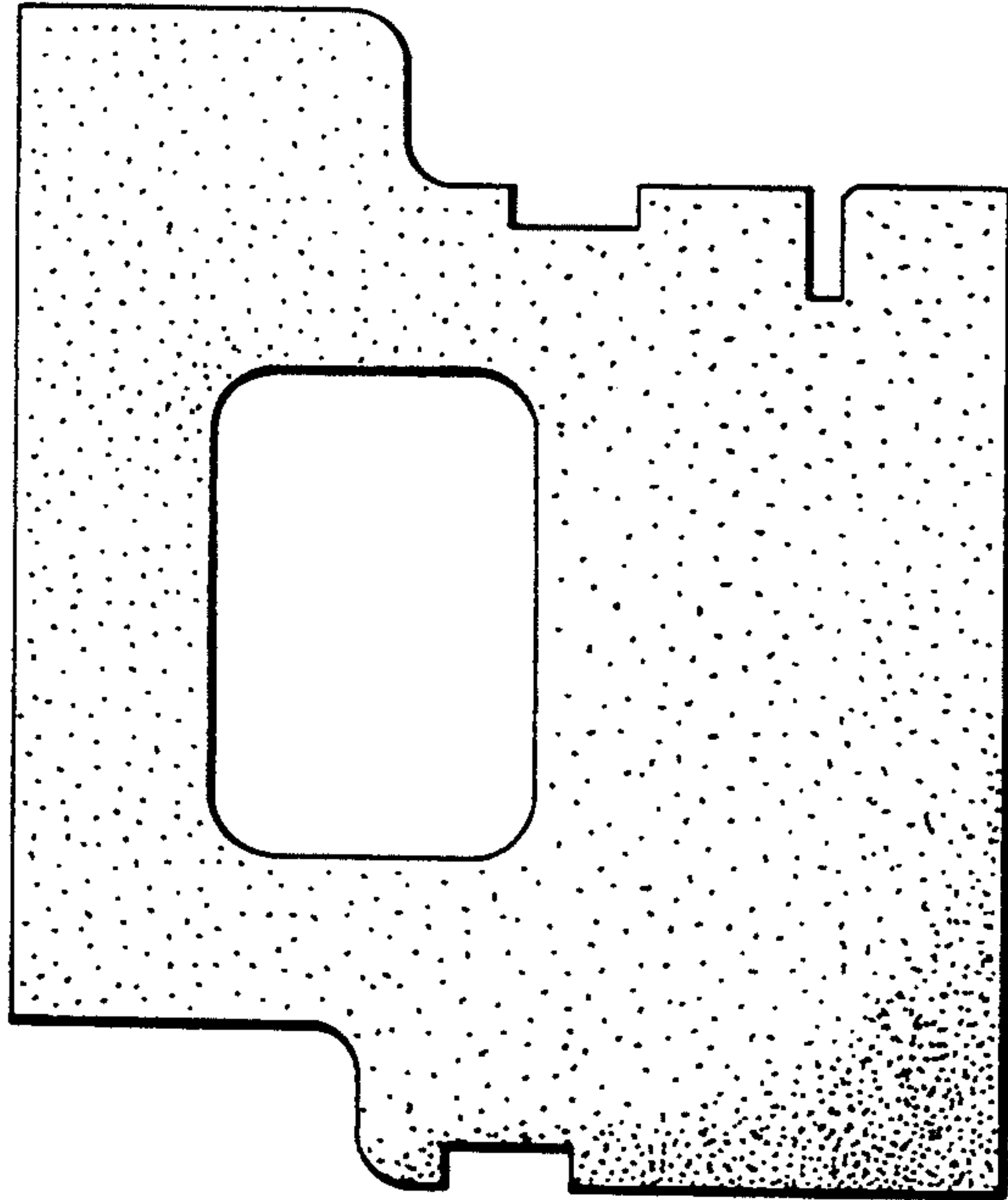


FIG 6

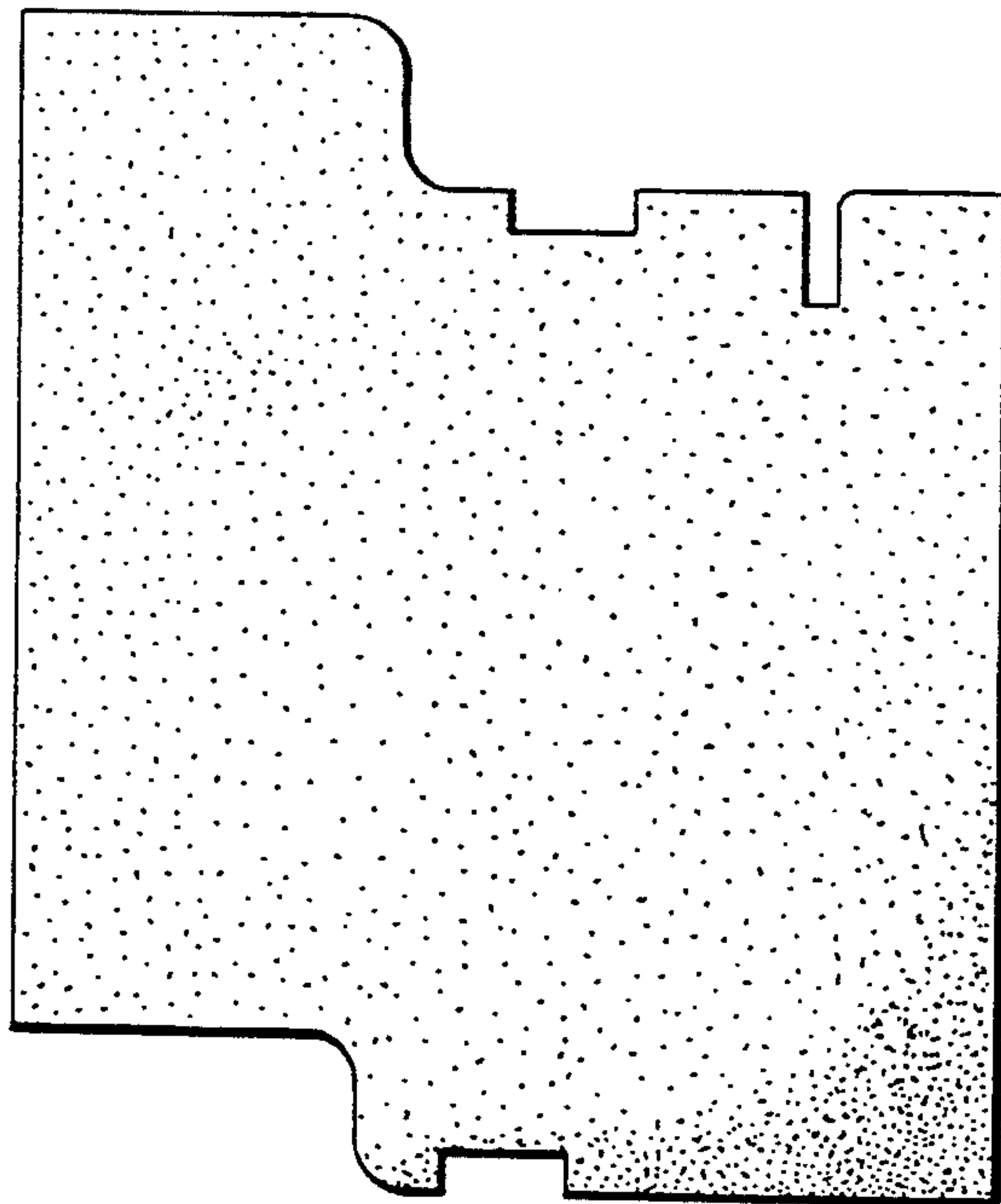


FIG 8

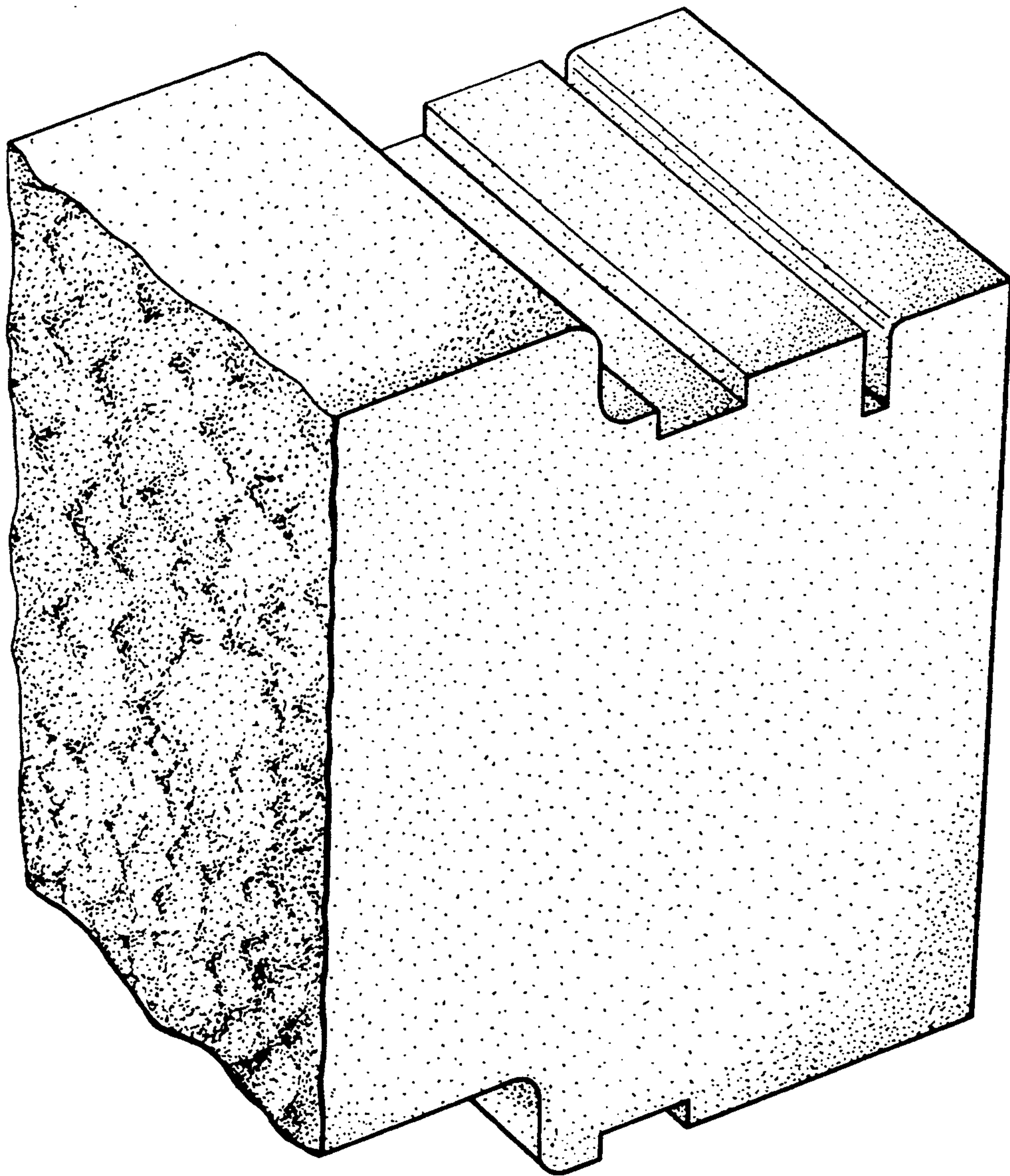


FIG 7